



US00D725629S

(12) **United States Design Patent**  
**Kiuchi**

(10) **Patent No.:** **US D725,629 S**  
(45) **Date of Patent:** **\*\* Mar. 31, 2015**

(54) **HEADPHONES**

(71) Applicant: **Panasonic Corporation**, Osaka (JP)

(72) Inventor: **Toshio Kiuchi**, Osaka (JP)

(73) Assignee: **Panasonic Intellectual Property Management Co., Ltd.**, Osaka (JP)

(\*\*) Term: **14 Years**

(21) Appl. No.: **29/488,381**

(22) Filed: **Apr. 18, 2014**

(30) **Foreign Application Priority Data**

Dec. 12, 2013 (JP) ..... 2013-029104

(51) **LOC (10) Cl.** ..... **14-01**

(52) **U.S. Cl.**  
USPC ..... **D14/205**

(58) **Field of Classification Search**  
CPC ..... H04R 1/1066  
USPC ..... D14/205; 181/129, 130, 135; D29/112;  
2/209; 379/430, 431; 381/380, 381,  
381/374; 455/90.3, 575.1  
See application file for complete search history.

(56) **References Cited**

**U.S. PATENT DOCUMENTS**

1,606,165 A \* 11/1926 Glenn ..... 381/384  
3,440,663 A \* 4/1969 Beguin ..... 2/209  
D235,210 S \* 5/1975 Hill ..... D14/205  
3,922,725 A \* 12/1975 Csiki et al. .... 2/209  
D246,519 S \* 11/1977 Kato ..... D14/205  
D270,634 S \* 9/1983 Ungar ..... D14/205  
4,459,707 A \* 7/1984 Stallings ..... 2/209  
4,682,374 A \* 7/1987 Geiser ..... 2/209  
4,905,322 A \* 3/1990 Aileo et al. .... 2/209  
D328,461 S \* 8/1992 Daido et al. .... D14/205  
5,406,037 A \* 4/1995 Nageno et al. .... 181/129

D376,598 S \* 12/1996 Hayashi ..... D14/206  
D431,550 S \* 10/2000 Yoneda ..... D14/205  
D435,249 S \* 12/2000 Yasutomi ..... D14/205  
6,449,806 B1 \* 9/2002 Engelhard et al. .... 24/3.1  
D510,335 S \* 10/2005 Suzuki ..... D14/205  
D514,087 S \* 1/2006 Wilson et al. .... D14/206  
D538,261 S \* 3/2007 Taylor et al. .... D14/205  
D563,382 S \* 3/2008 Wikel ..... D14/205  
7,457,649 B1 \* 11/2008 Wilson ..... 455/575.2  
D585,871 S \* 2/2009 Lee ..... D14/205  
D585,872 S \* 2/2009 Lee ..... D14/205  
D594,847 S \* 6/2009 Suzuki ..... D14/205  
D635,958 S 4/2011 Ando et al.  
D639,775 S 6/2011 Horibe et al.  
D642,554 S \* 8/2011 Schaal et al. .... D14/205

(Continued)

**FOREIGN PATENT DOCUMENTS**

JP D1479255 9/2013

*Primary Examiner* — Paula Greene

(74) *Attorney, Agent, or Firm* — Panasonic Patent Center

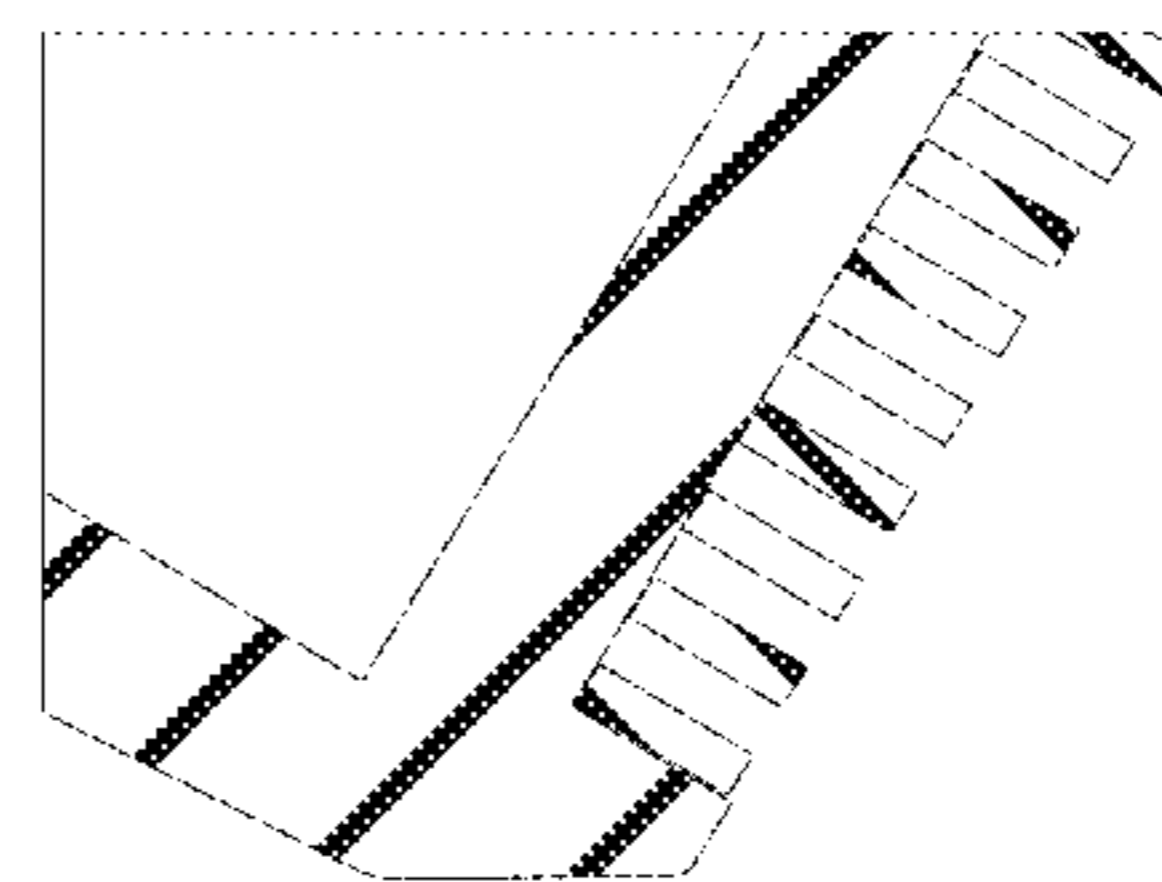
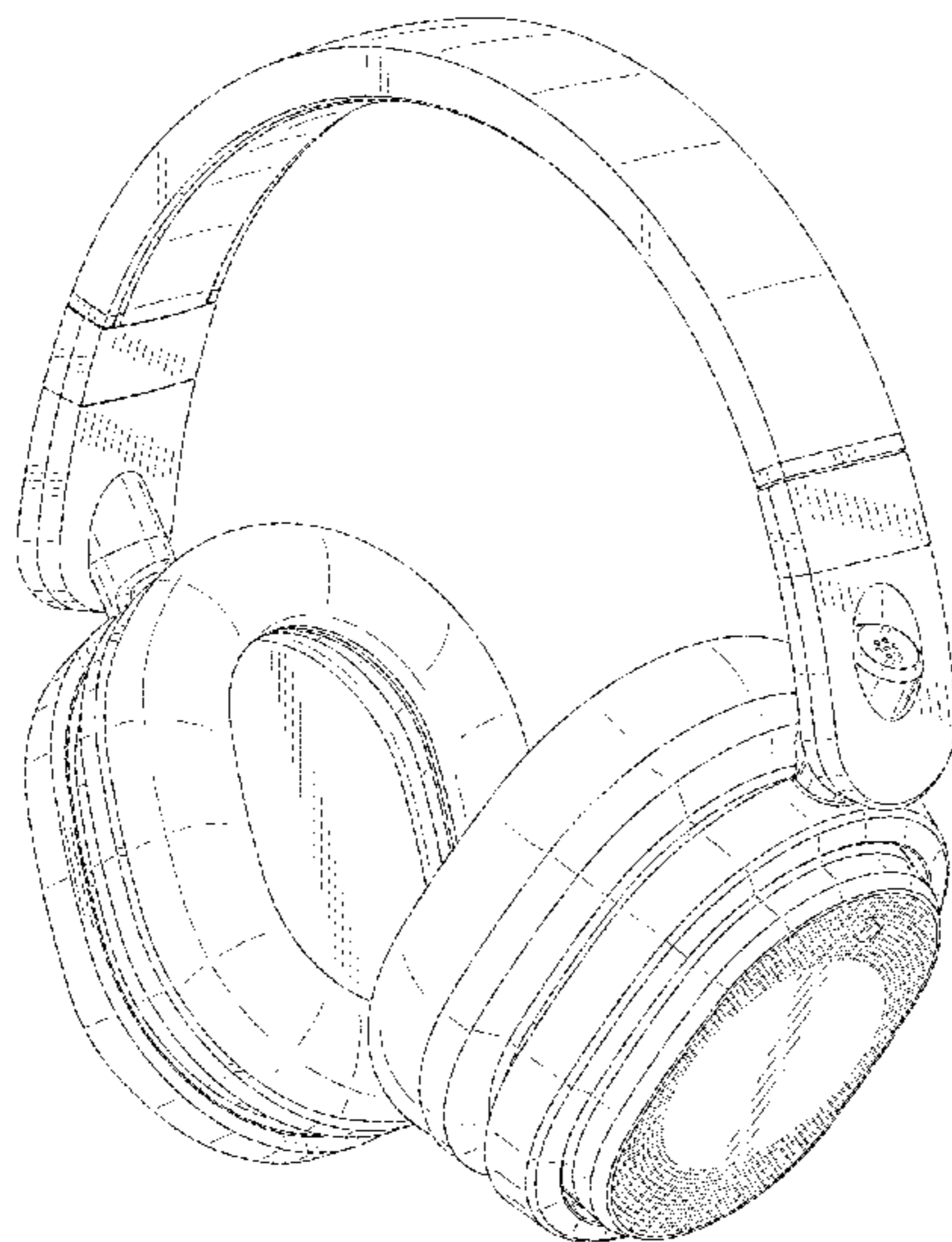
(57) **CLAIM**

I claim the ornamental design for an headphones, as shown and described.

**DESCRIPTION**

FIG. 1 is a front perspective view of an headphones of the present invention;  
FIG. 2 is a front view thereof;  
FIG. 3 is a rear view thereof;  
FIG. 4 is a first side view thereof;  
FIG. 5 is a second side view thereof;  
FIG. 6 is a top view thereof;  
FIG. 7 is a bottom view thereof;  
FIG. 8 is a view taken along the line 8-8 in FIG. 4 with the internal parts being omitted;  
FIG. 9 is an enlarged view of between 9-9 in FIG. 5; and,  
FIG. 10 is an enlarged view of between 10-10 in FIG. 8.

**1 Claim, 10 Drawing Sheets**



(56)

**References Cited**

U.S. PATENT DOCUMENTS

8,098,872 B2 \* 1/2012 Chang ..... 381/371  
D669,450 S \* 10/2012 Katsumata ..... D14/205  
D691,583 S \* 10/2013 Kitayama ..... D14/205  
D706,242 S \* 6/2014 Yang ..... D14/205

D708,163 S \* 7/2014 Ishikura ..... D14/205  
D708,164 S \* 7/2014 Ishikura ..... D14/205  
D719,136 S \* 12/2014 Schaal et al. .... D14/206  
2003/0103637 A1 \* 6/2003 Huang ..... 381/309  
2011/0206216 A1 \* 8/2011 Brunner et al. .... 381/74

\* cited by examiner

FIG. 1

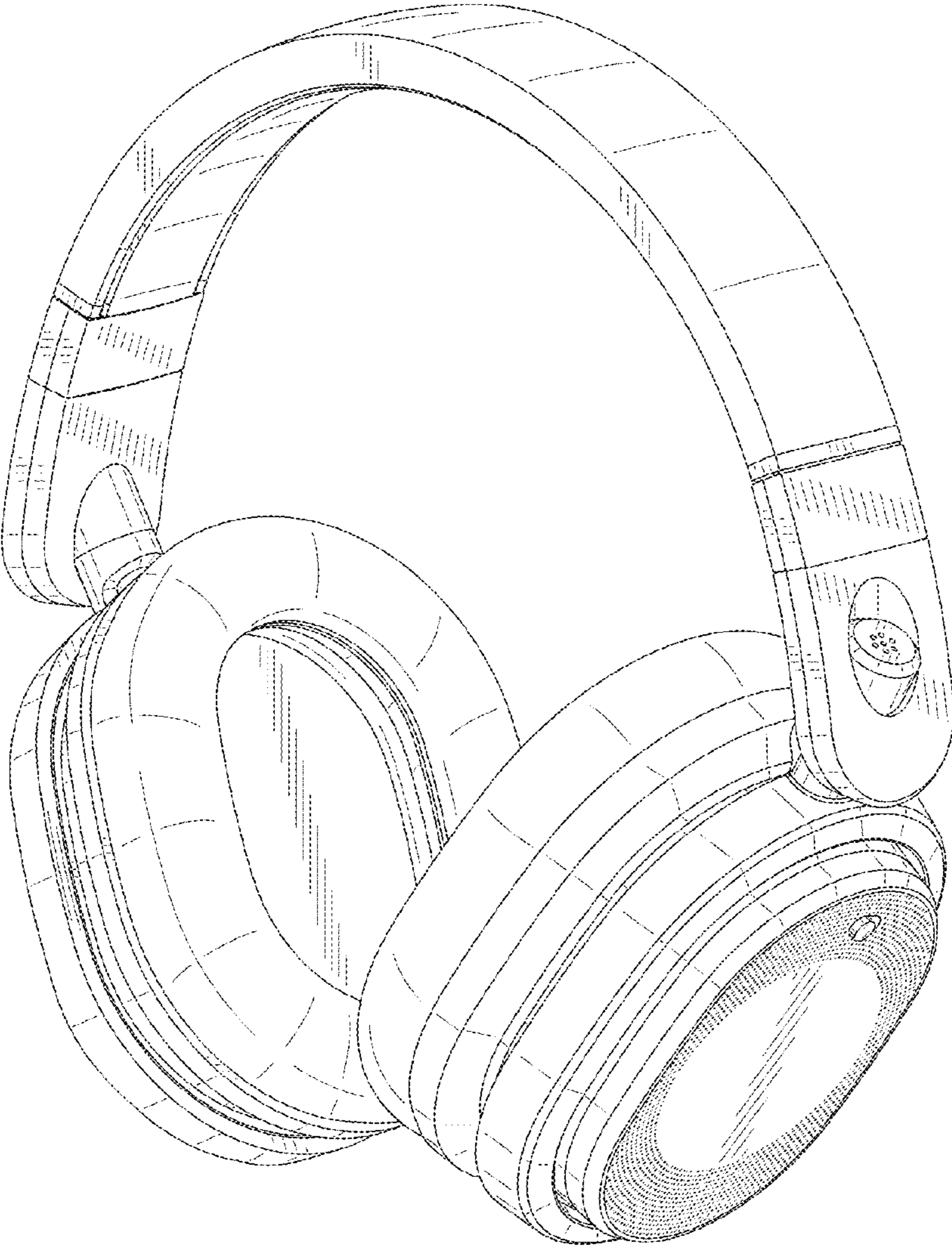


FIG. 2





FIG. 3



FIG. 4

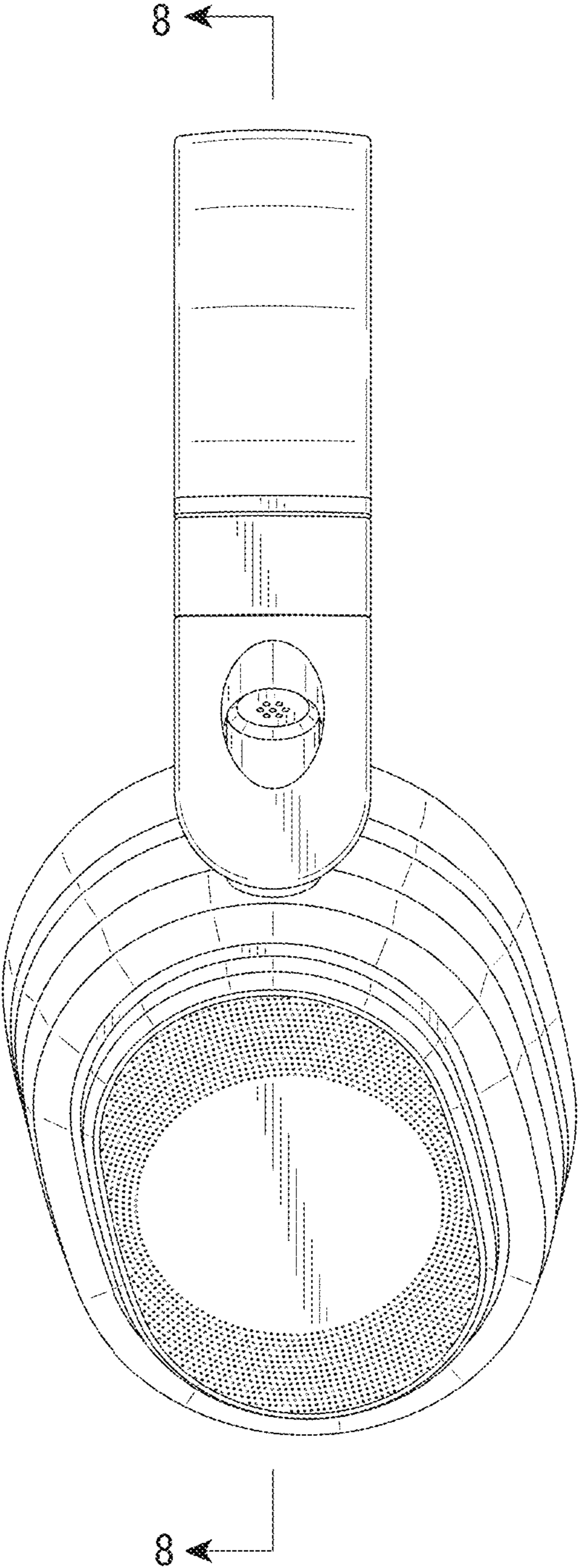


FIG. 5

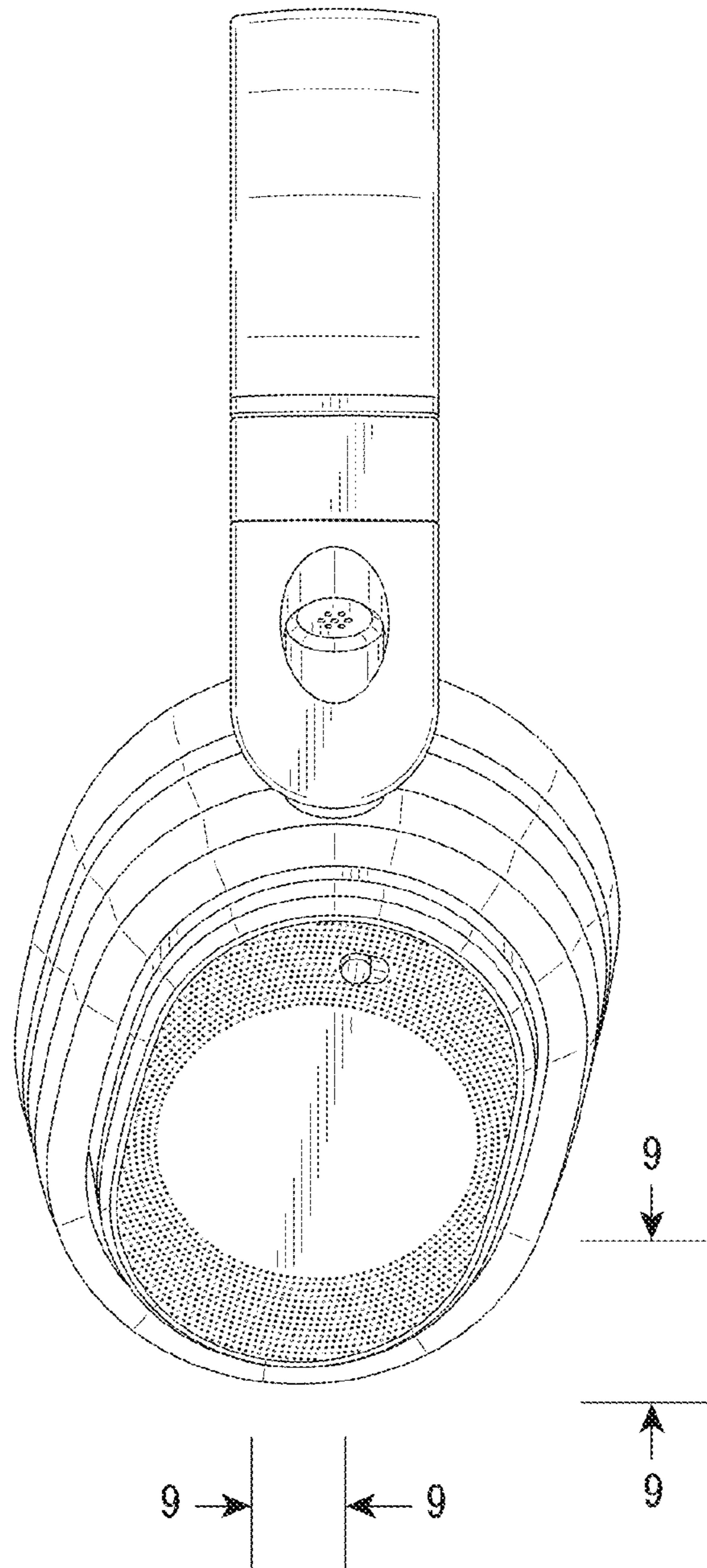


FIG. 6

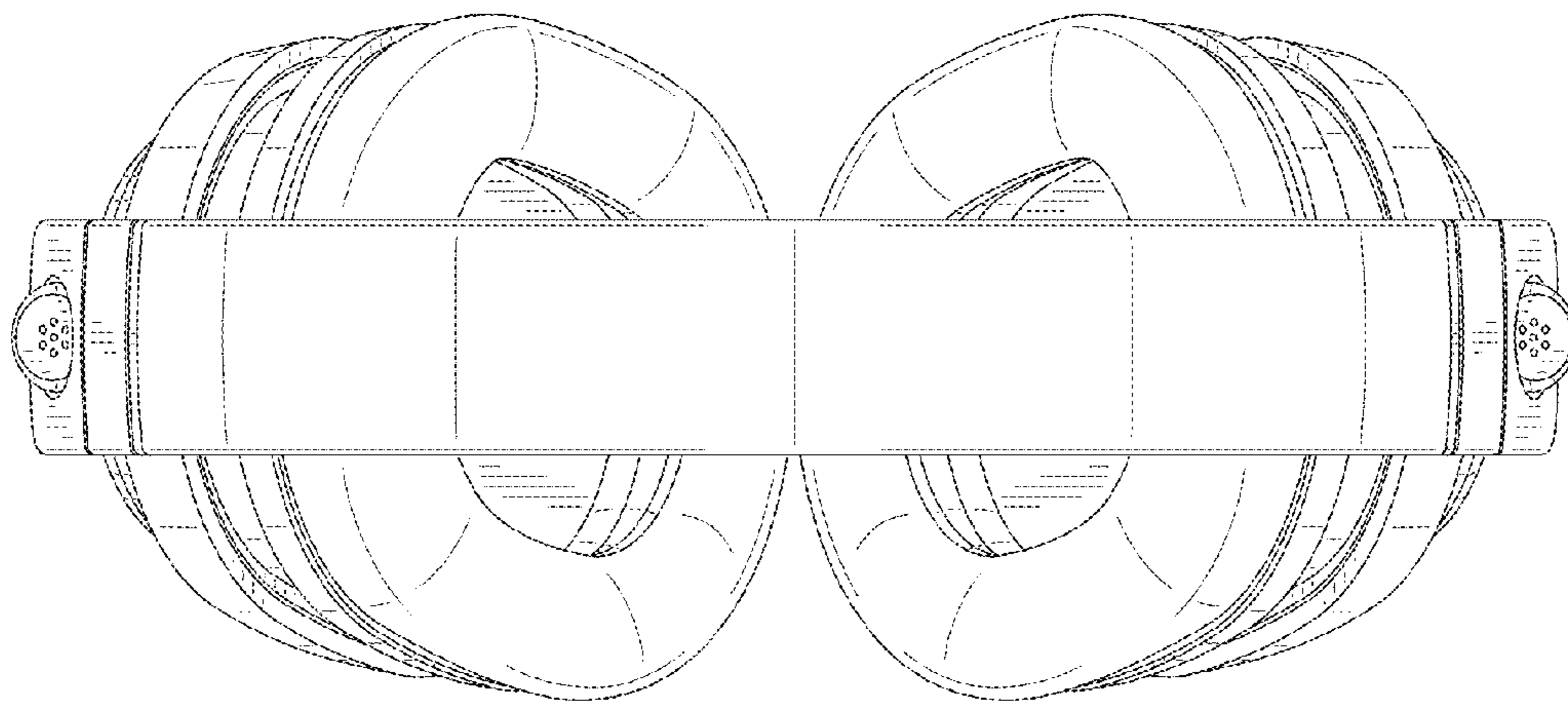




FIG. 7

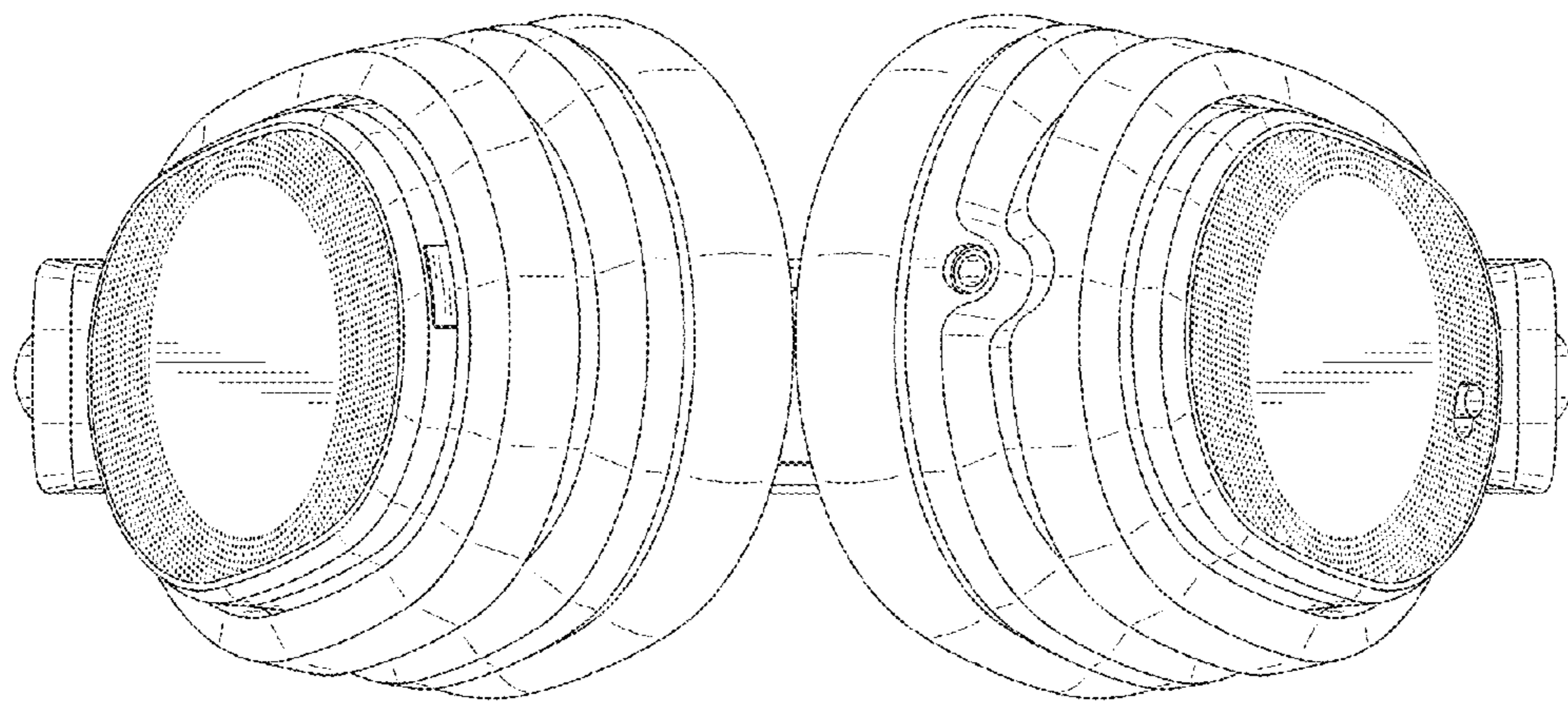


FIG. 8

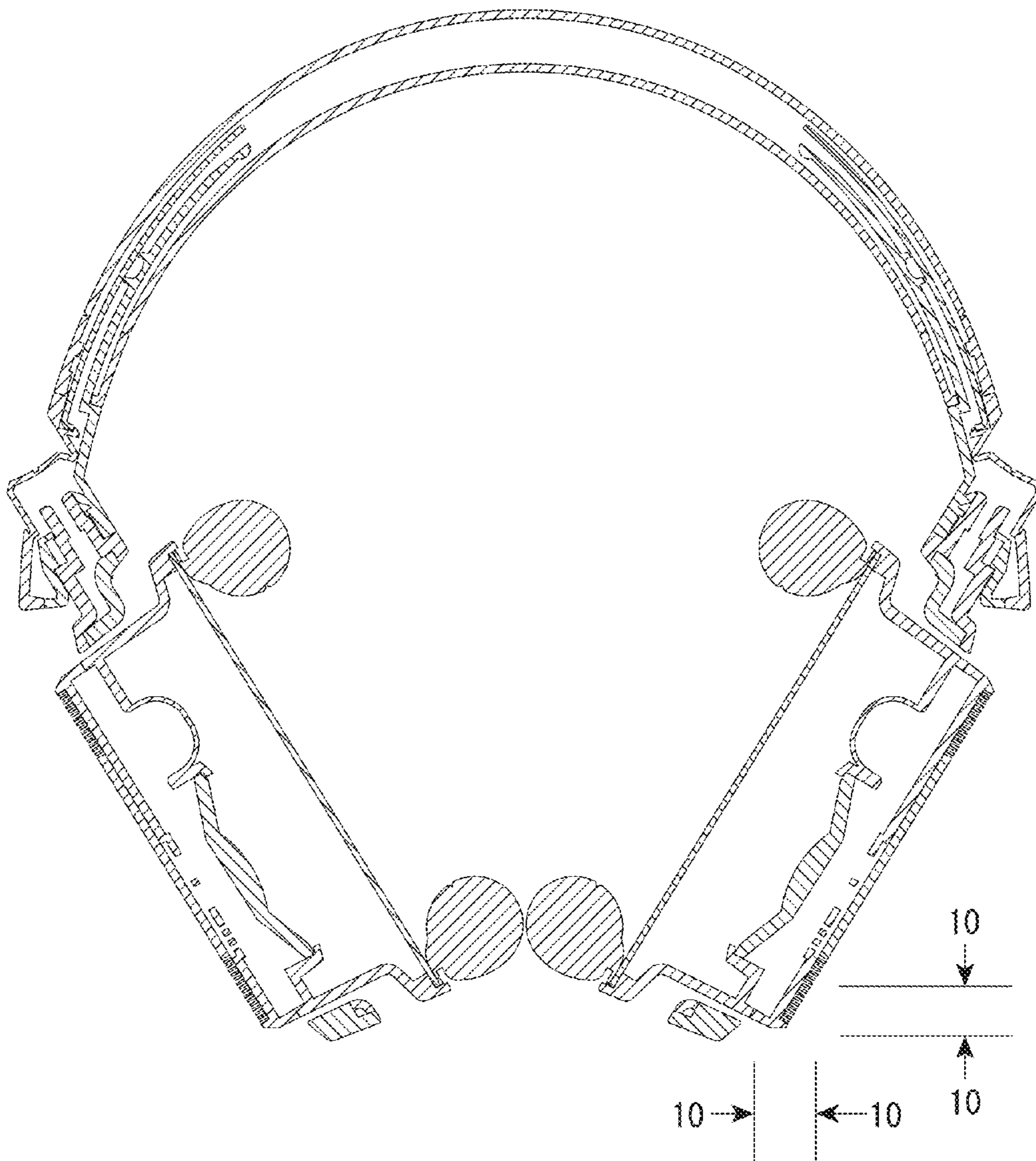


FIG. 9

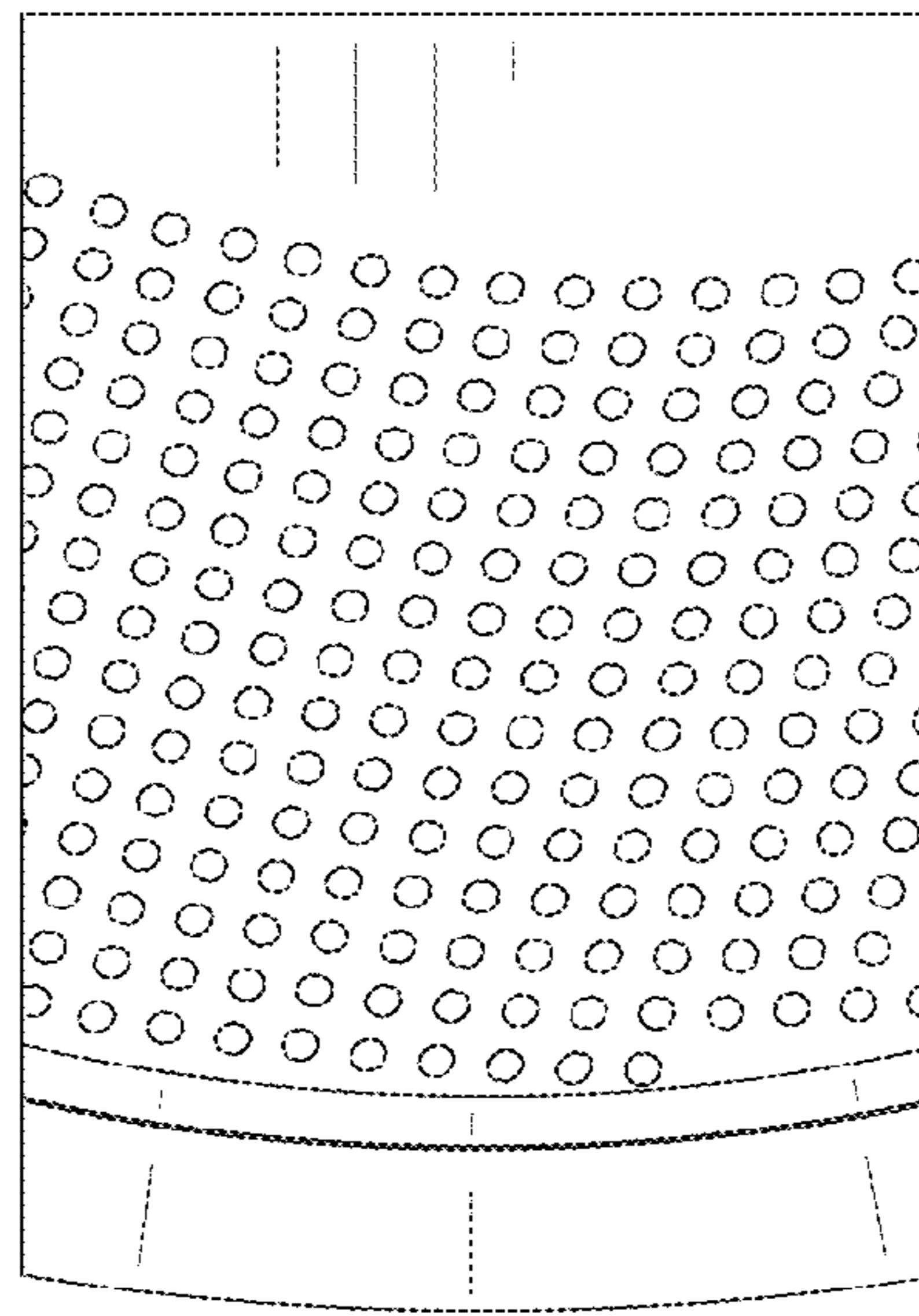


FIG. 10

