



US00D725626S

(12) **United States Design Patent**
Kalhok

(10) **Patent No.:** **US D725,626 S**
(45) **Date of Patent:** **** Mar. 31, 2015**

(54) **EARPHONE SYSTEM**

(71) Applicant: **David Kalhok**, Marion, IL (US)

(72) Inventor: **David Kalhok**, Marion, IL (US)

(**) Term: **14 Years**

(21) Appl. No.: **29/473,905**

(22) Filed: **Nov. 26, 2013**

(51) **LOC (10) Cl.** **14-01**

(52) **U.S. Cl.**

USPC **D14/205**; D14/223

(58) **Field of Classification Search**

CPC H04R 1/10

USPC D14/205, 223, 192; 181/129, 130, 135;
379/430, 431, 428.01; 381/380, 381,
381/374; 455/90.3, 575.2

See application file for complete search history.

(56) **References Cited**

U.S. PATENT DOCUMENTS

D237,090	S *	10/1975	Yanagawa	D14/205
D561,738	S *	2/2008	Ikeda et al.	D14/205
D575,772	S *	8/2008	Schultz et al.	D14/223
D586,332	S *	2/2009	Ewert et al.	D14/223
D602,475	S *	10/2009	Martin	D14/223
D603,379	S *	11/2009	Harbeke et al.	D14/223
D612,841	S *	3/2010	Harbeke et al.	D14/223
7,708,110	B2 *	5/2010	Leong et al.	181/135
D627,764	S *	11/2010	Tsai et al.	D14/223
D630,186	S *	1/2011	Yang	D14/205
7,949,127	B2 *	5/2011	Pedersen et al.	379/430
D668,244	S *	10/2012	Matsumura	D14/223
D685,350	S *	7/2013	Mogili	D14/223
D685,767	S *	7/2013	Kelly et al.	D14/223
D685,769	S *	7/2013	Mogili	D14/223
D695,723	S *	12/2013	Nakagawa	D14/223
8,625,834	B2 *	1/2014	Smith et al.	381/380
D705,196	S *	5/2014	Drambarean	D14/223

D708,599	S *	7/2014	Ang	D14/223
D709,482	S *	7/2014	Ang	D14/223
D710,326	S *	8/2014	Burgett et al.	D14/206

(Continued)

Primary Examiner — Paula Greene

(74) *Attorney, Agent, or Firm* — Polsinelli PC

(57) **CLAIM**

The ornamental design for an earphone system, as shown and described.

DESCRIPTION

FIG. 1 is a perspective view of a right earphone, which is a mirror image of a left earphone, showing my new design for the earphone system, the cord is shown broken away and in phantom for purposes of illustration.

FIG. 2 is a front view of the right earphone of FIG. 1;

FIG. 3 is an opposing rear side view of the right earphone of FIG. 1;

FIG. 4 is a left side view of the right earphone of FIG. 1;

FIG. 5 is an opposing right side view of right earphone of FIG. 1;

FIG. 6 is a top view of the right earphone of FIG. 1;

FIG. 7 is an opposing bottom view of the right earphone of FIG. 1;

FIG. 8 is a perspective view of the earphone system showing the right and left earphones;

FIG. 9 is a front view of the earphone system of FIG. 8;

FIG. 10 is an opposing rear view of the earphone system of FIG. 8;

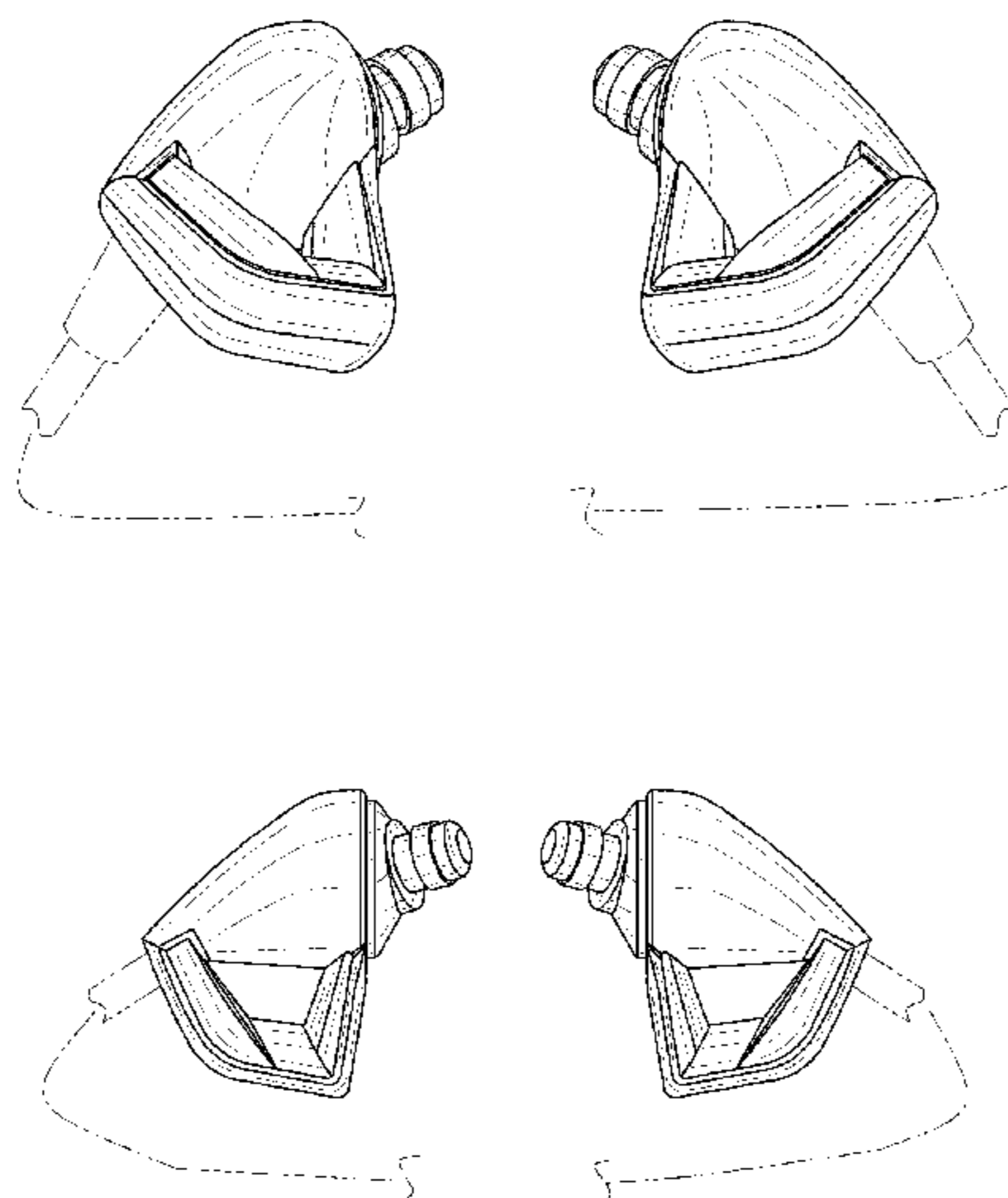
FIG. 11 is an opposing right side view of the right earphone of FIG. 8;

FIG. 12 is an opposing left side view of the left earphone of FIG. 8;

FIG. 13 is a top view of the earphone system of FIG. 8; and,

FIG. 14 is a bottom view of the earphone system of FIG. 8. The broken lines shown in FIGS. 1-14 are for illustrative purposes only and form no part of the claimed design.

1 Claim, 4 Drawing Sheets



US D725,626 S

Page 2

(56)

References Cited

D712,382 S * 9/2014 Brunner et al. D14/223
2009/0141923 A1* 6/2009 Smith 381/371

U.S. PATENT DOCUMENTS

D710,335 S * 8/2014 Yang D14/223 * cited by examiner

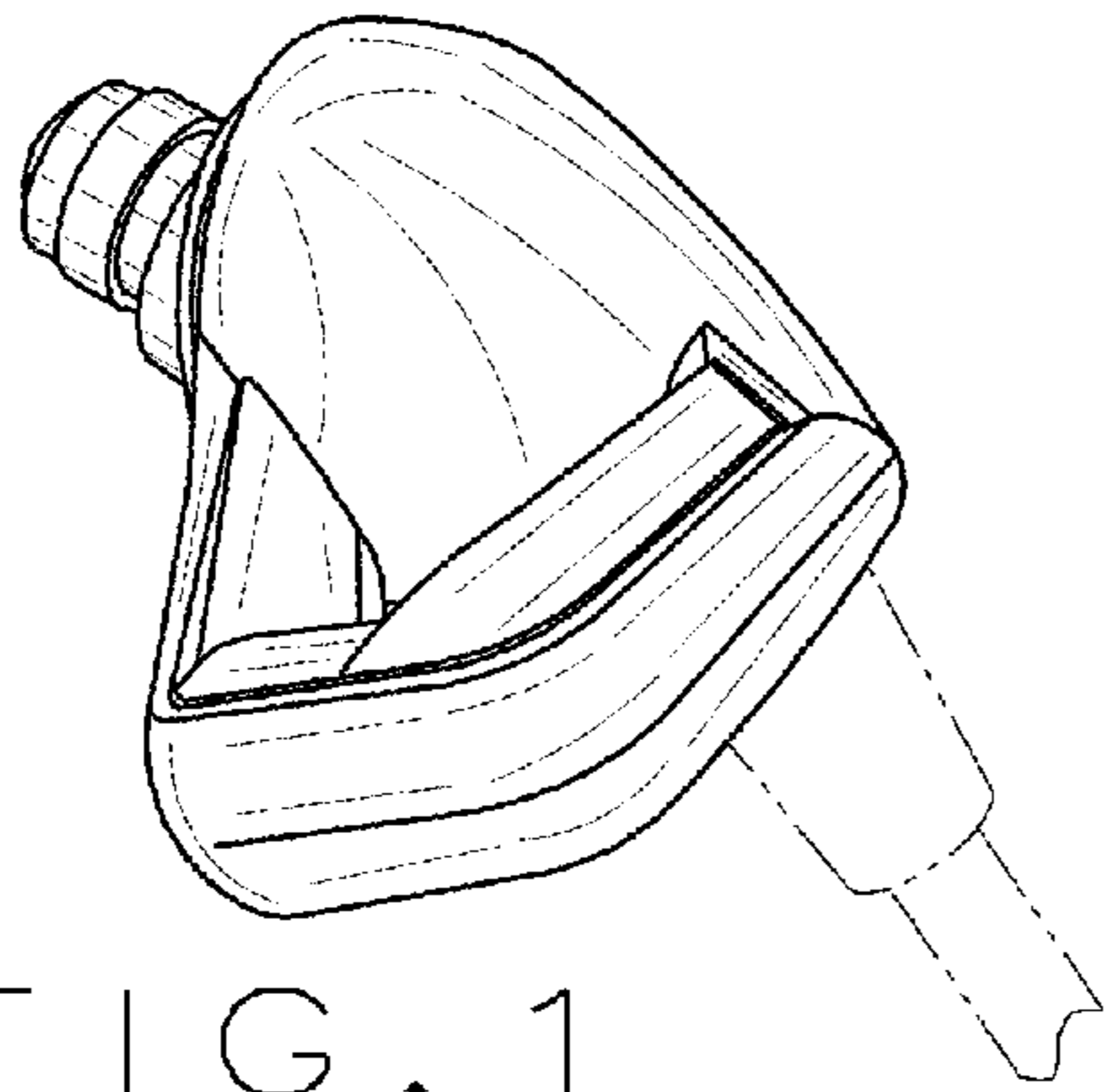


FIG. 1

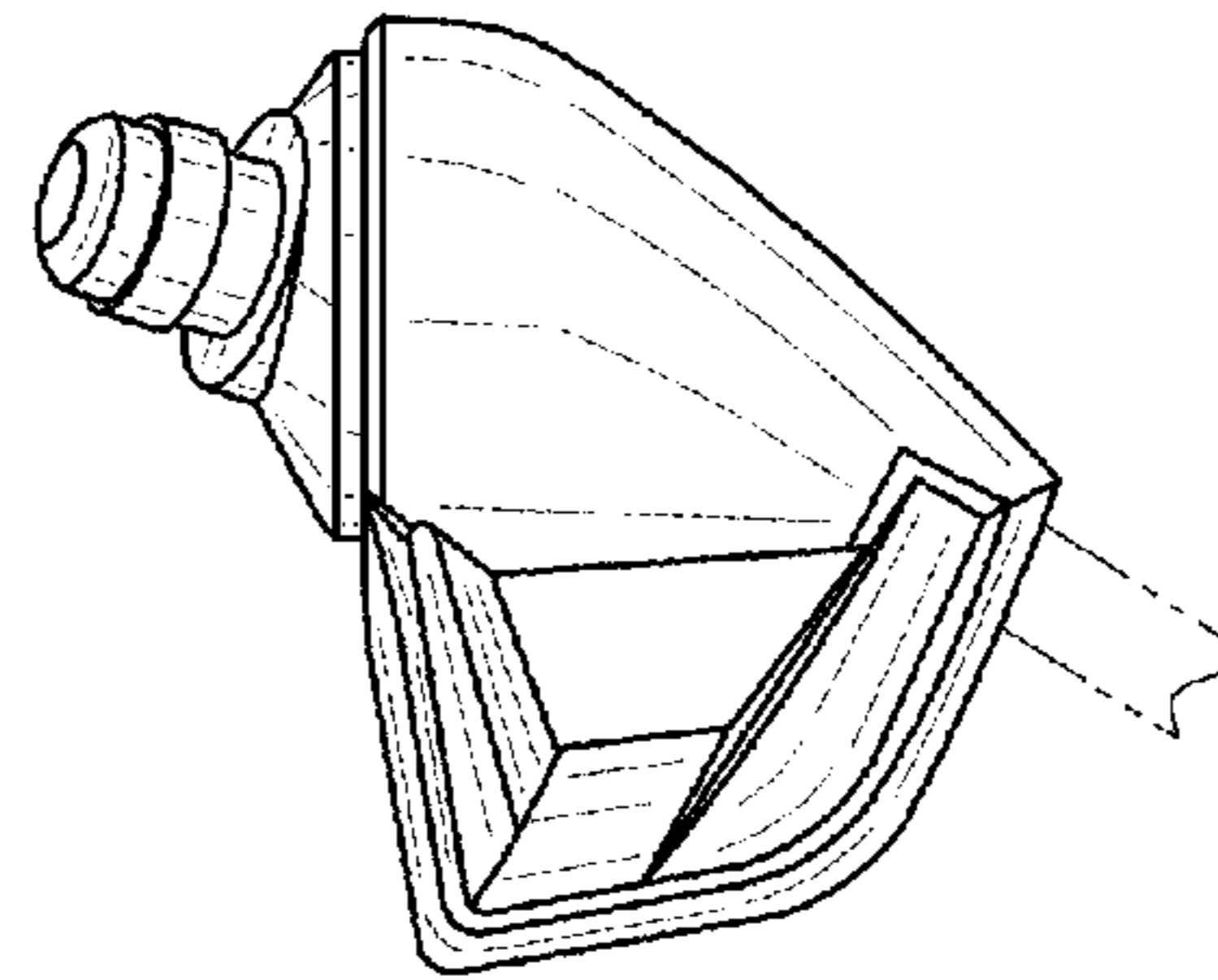


FIG. 2

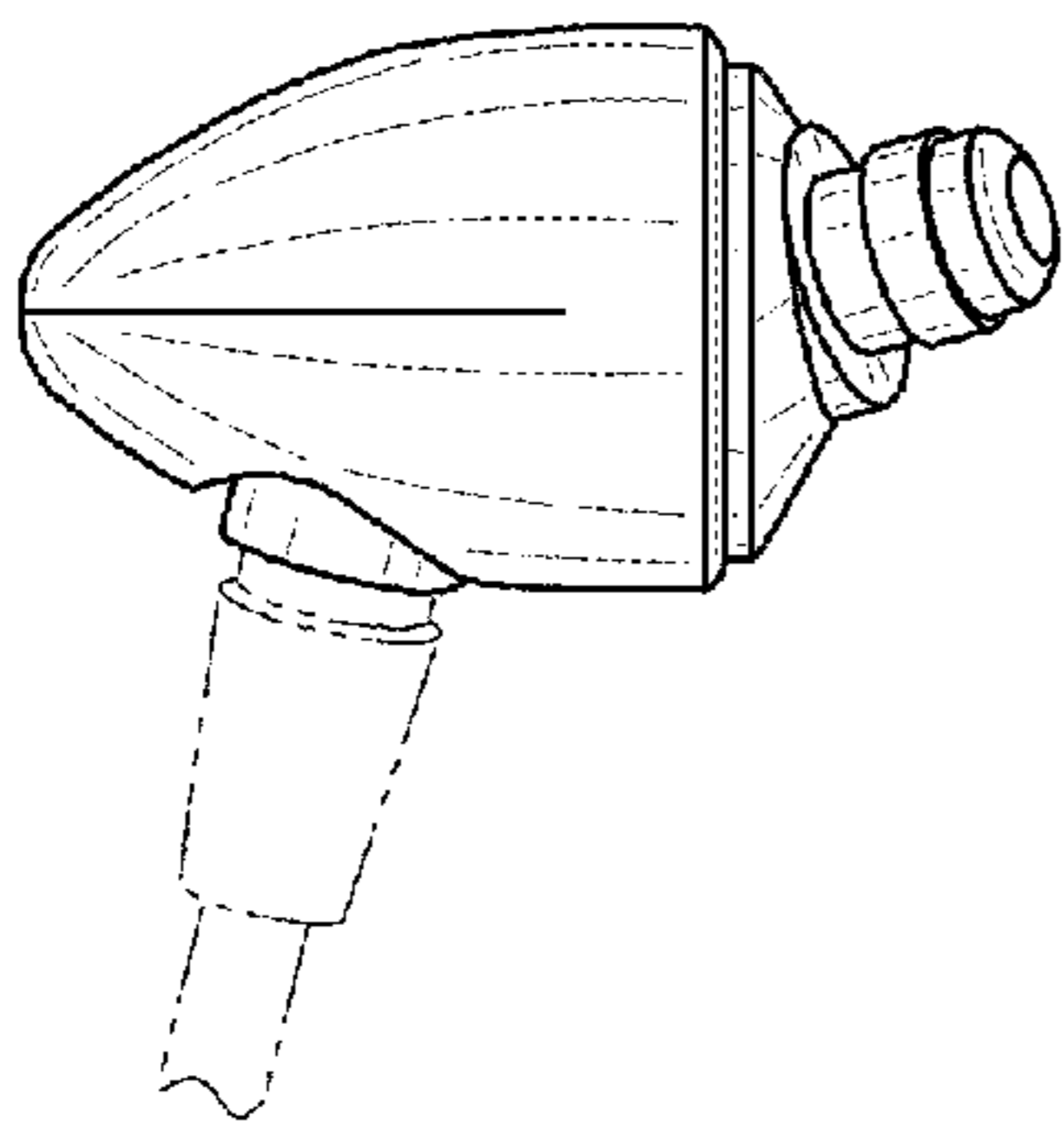


FIG. 3

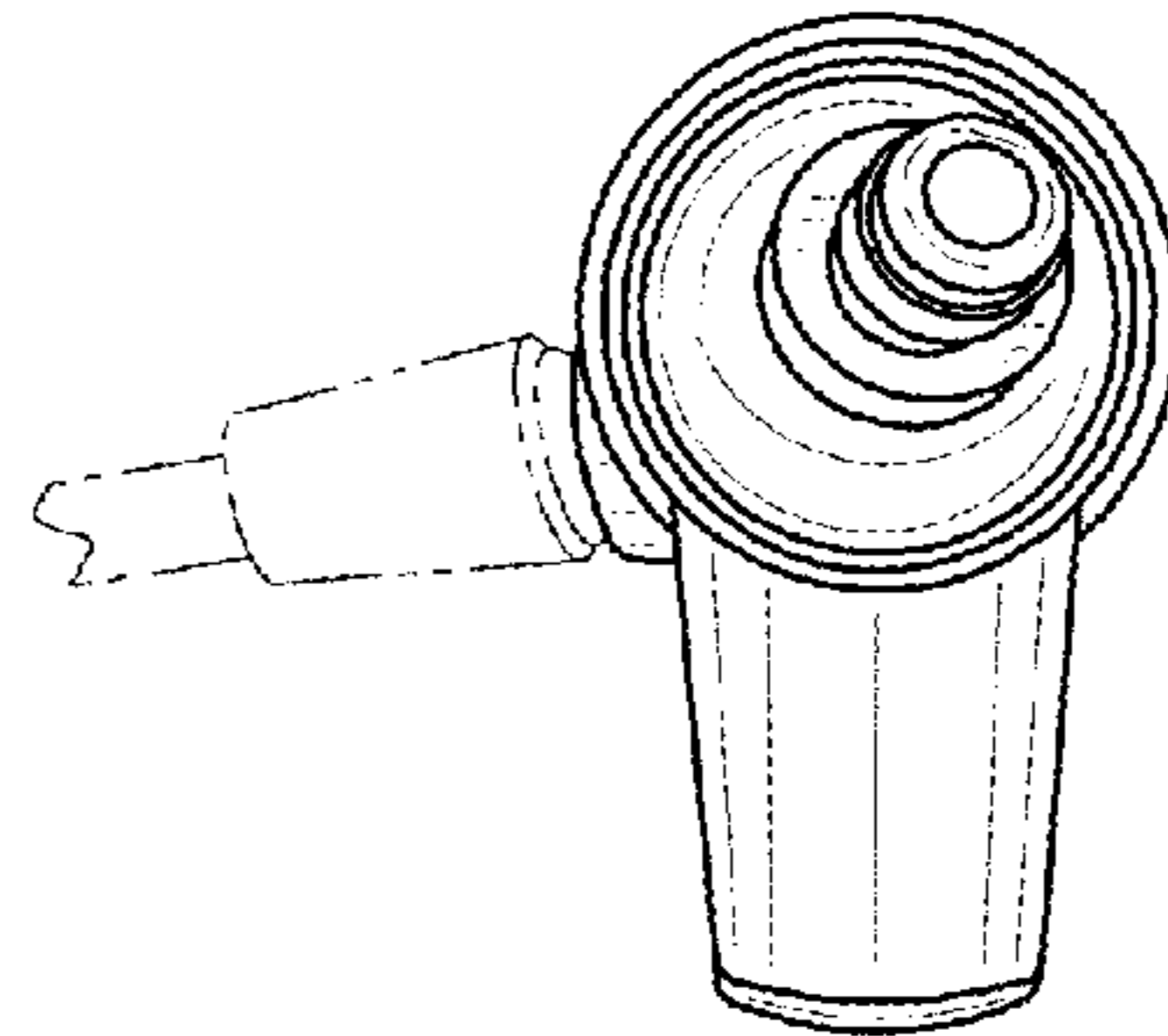


FIG. 4

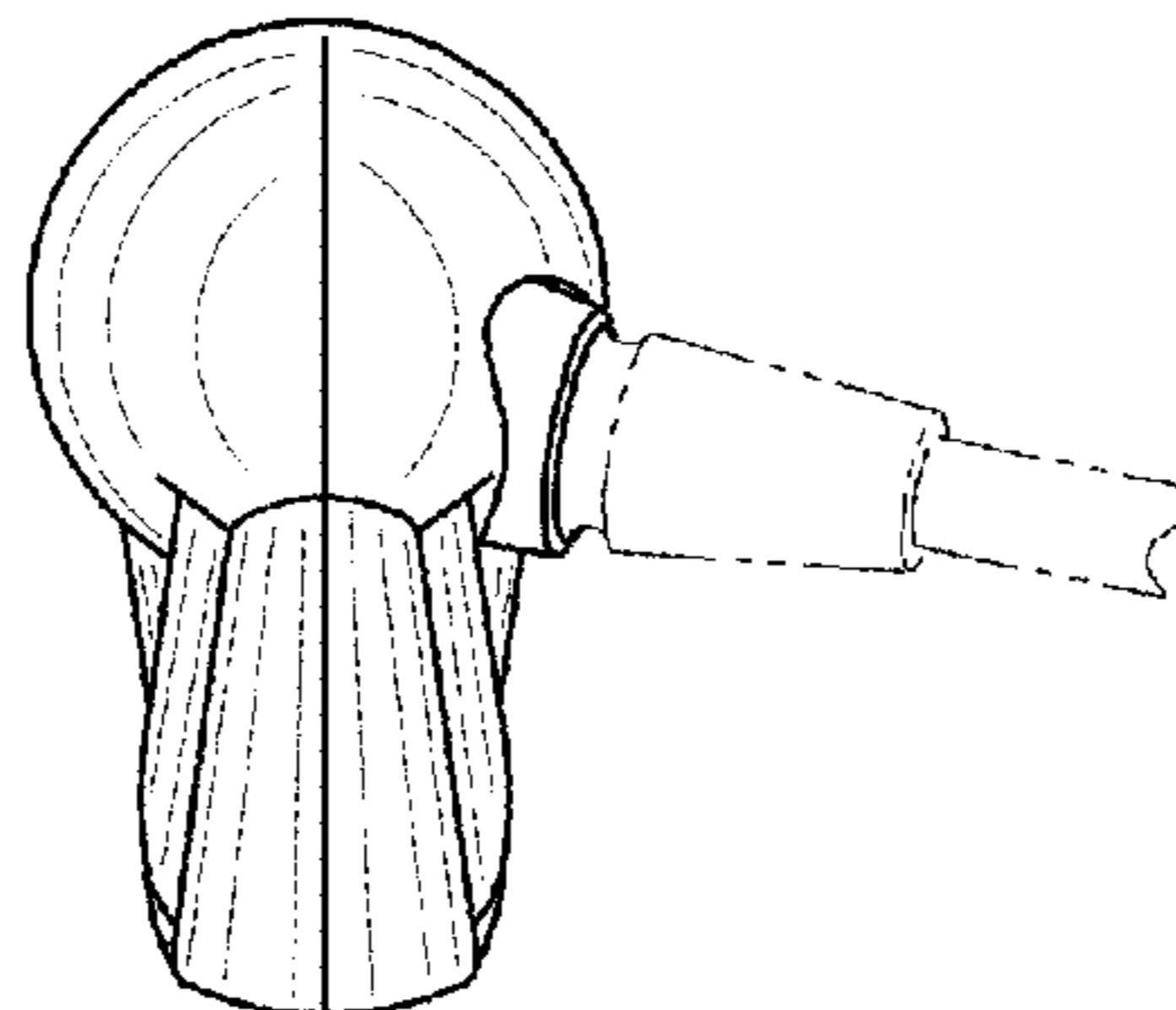


FIG. 5

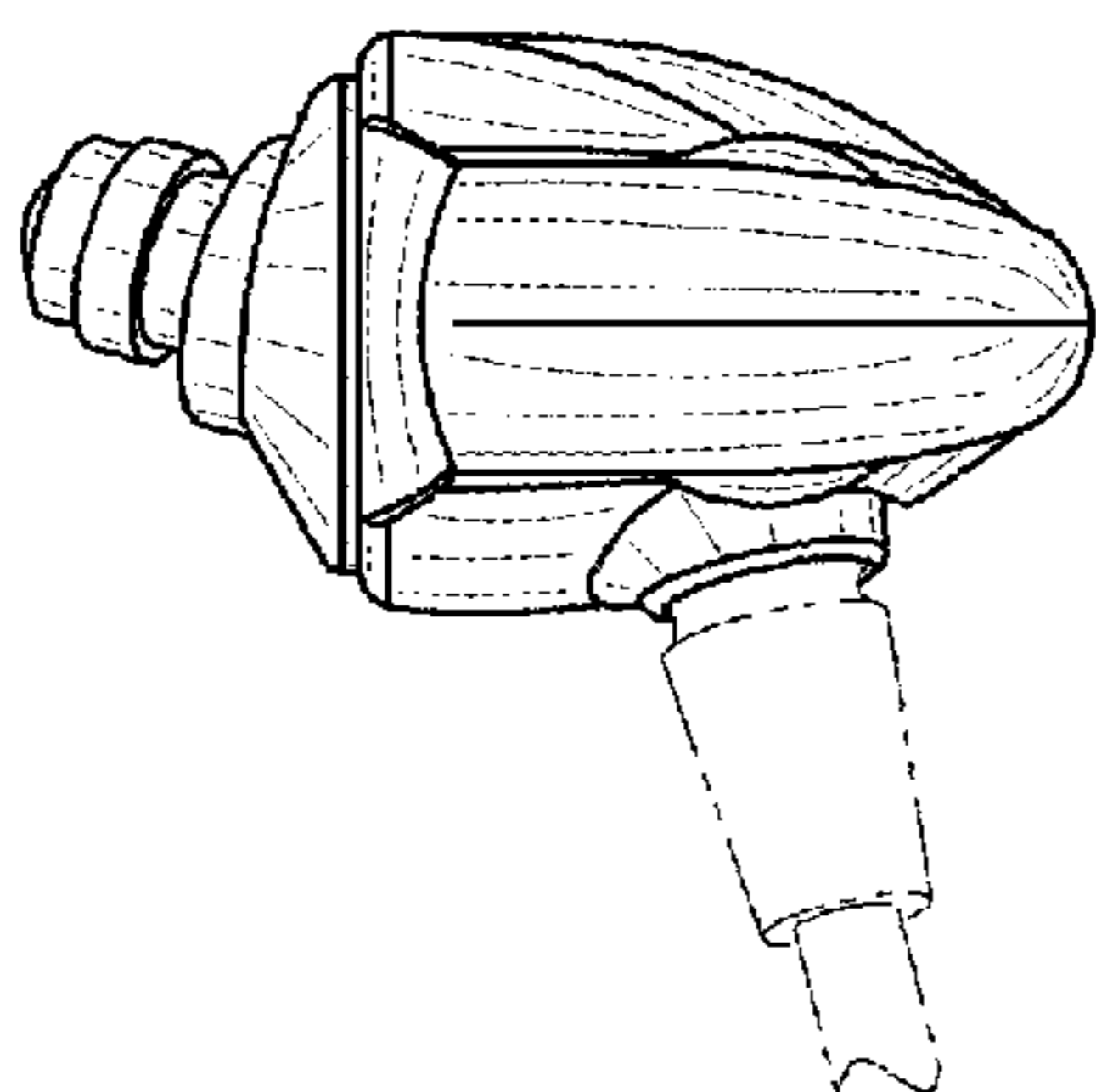


FIG. 6

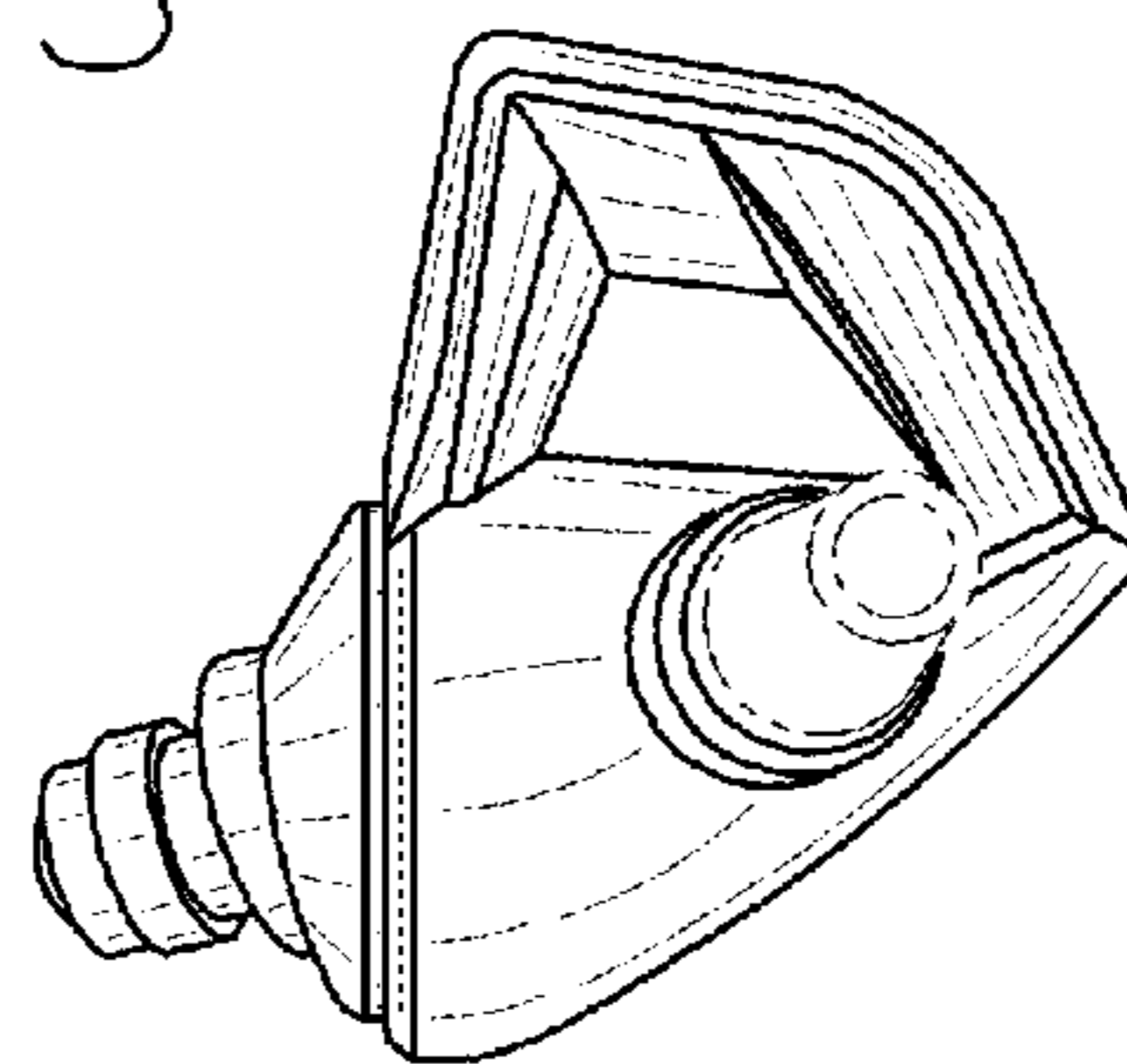


FIG. 7

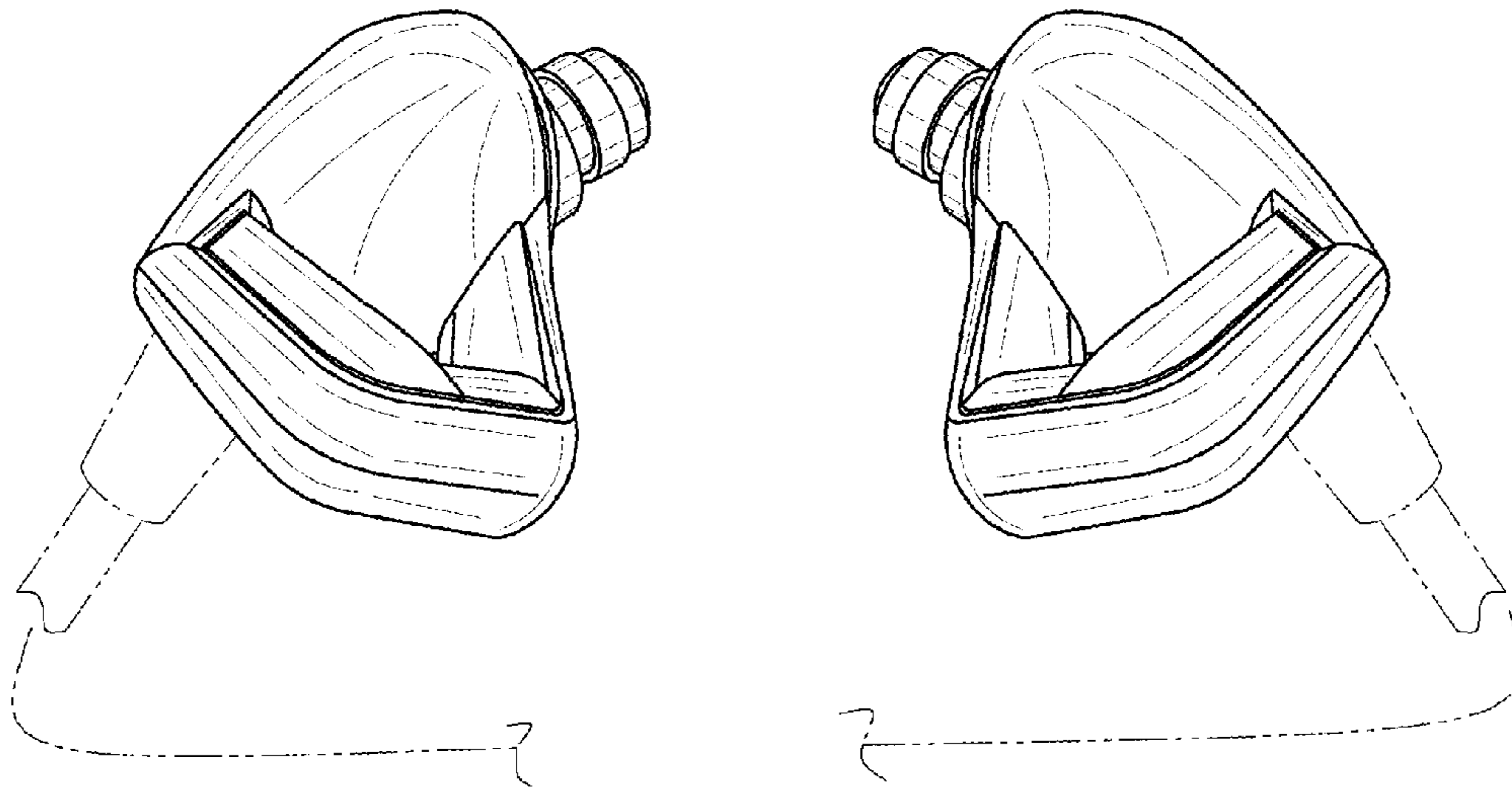


FIG. 8

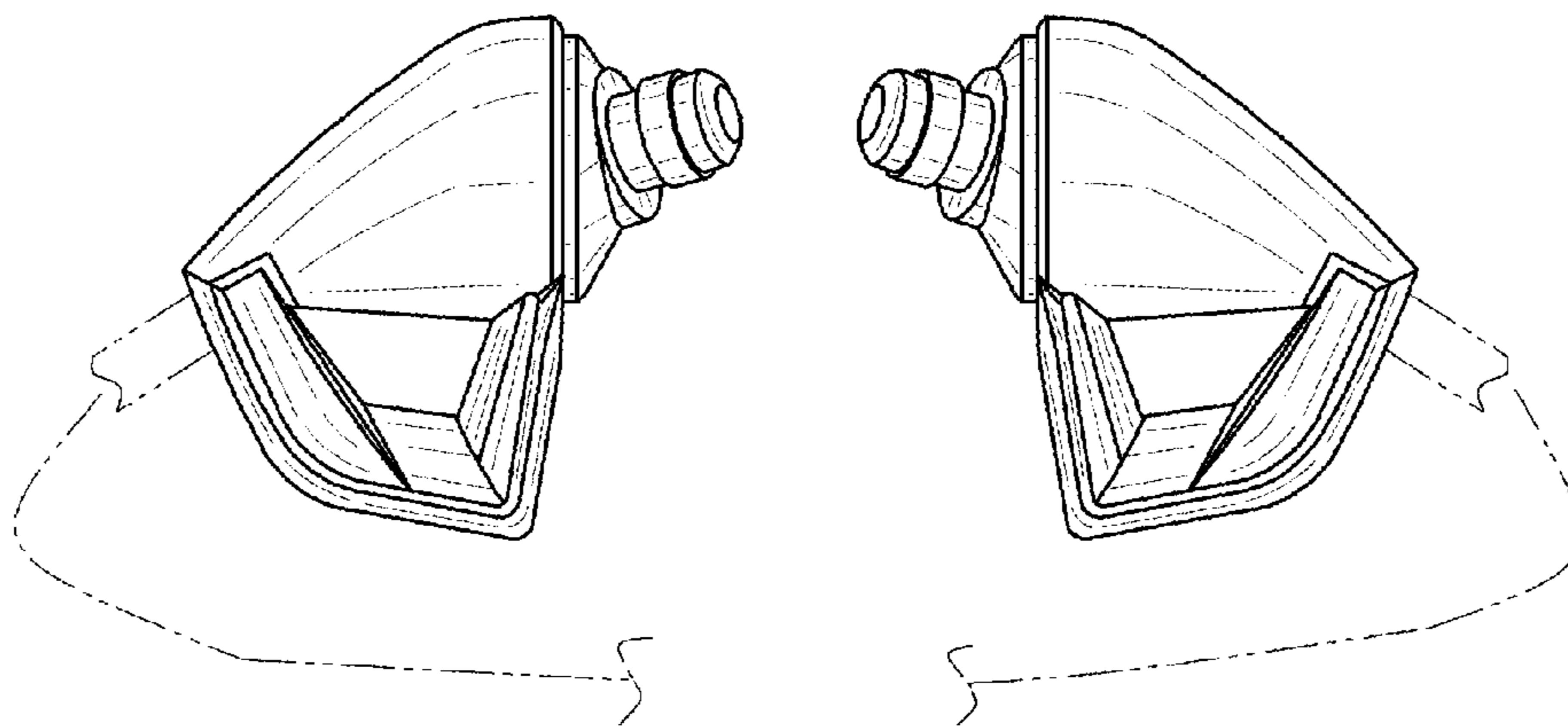


FIG. 9

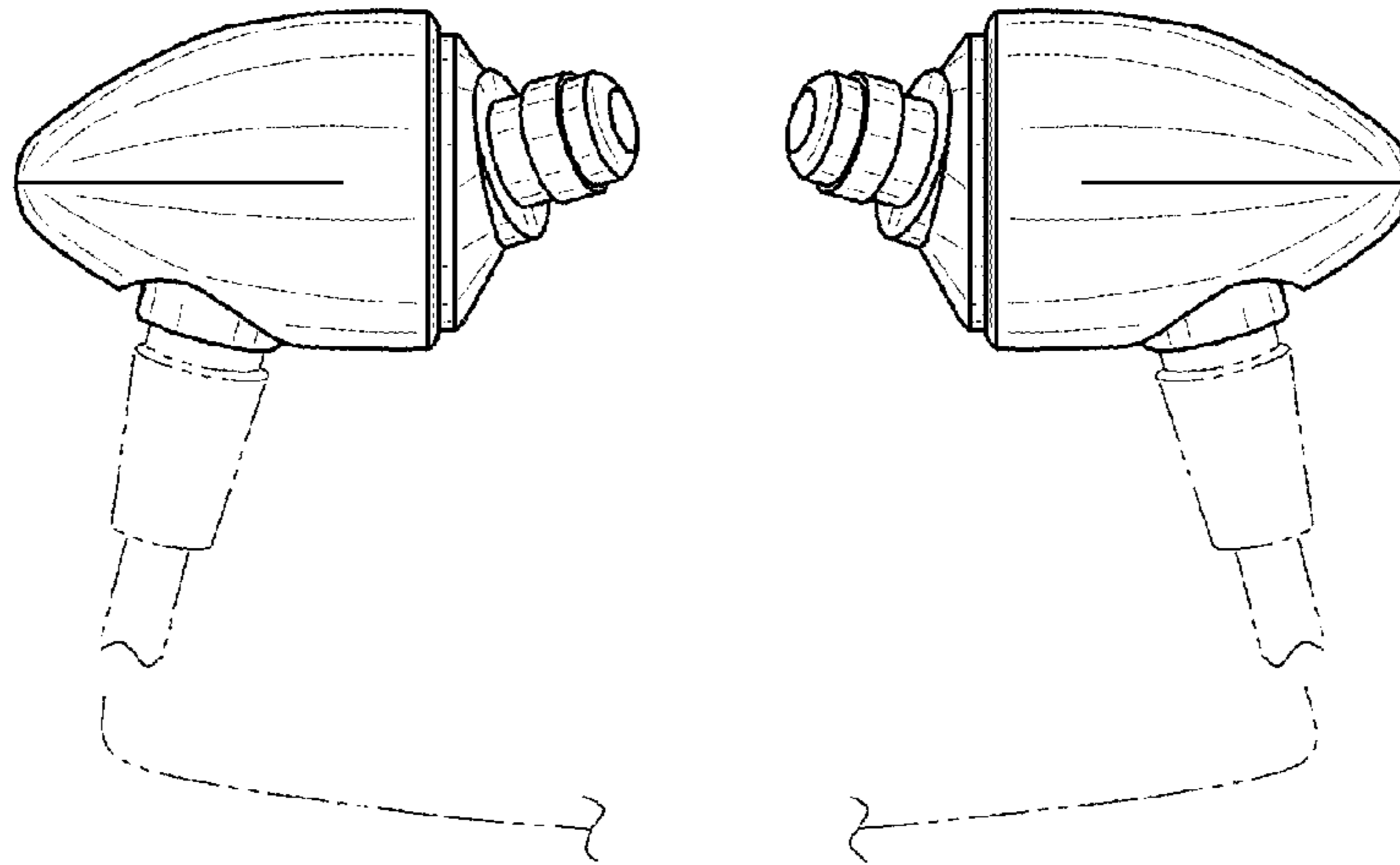


FIG. 10

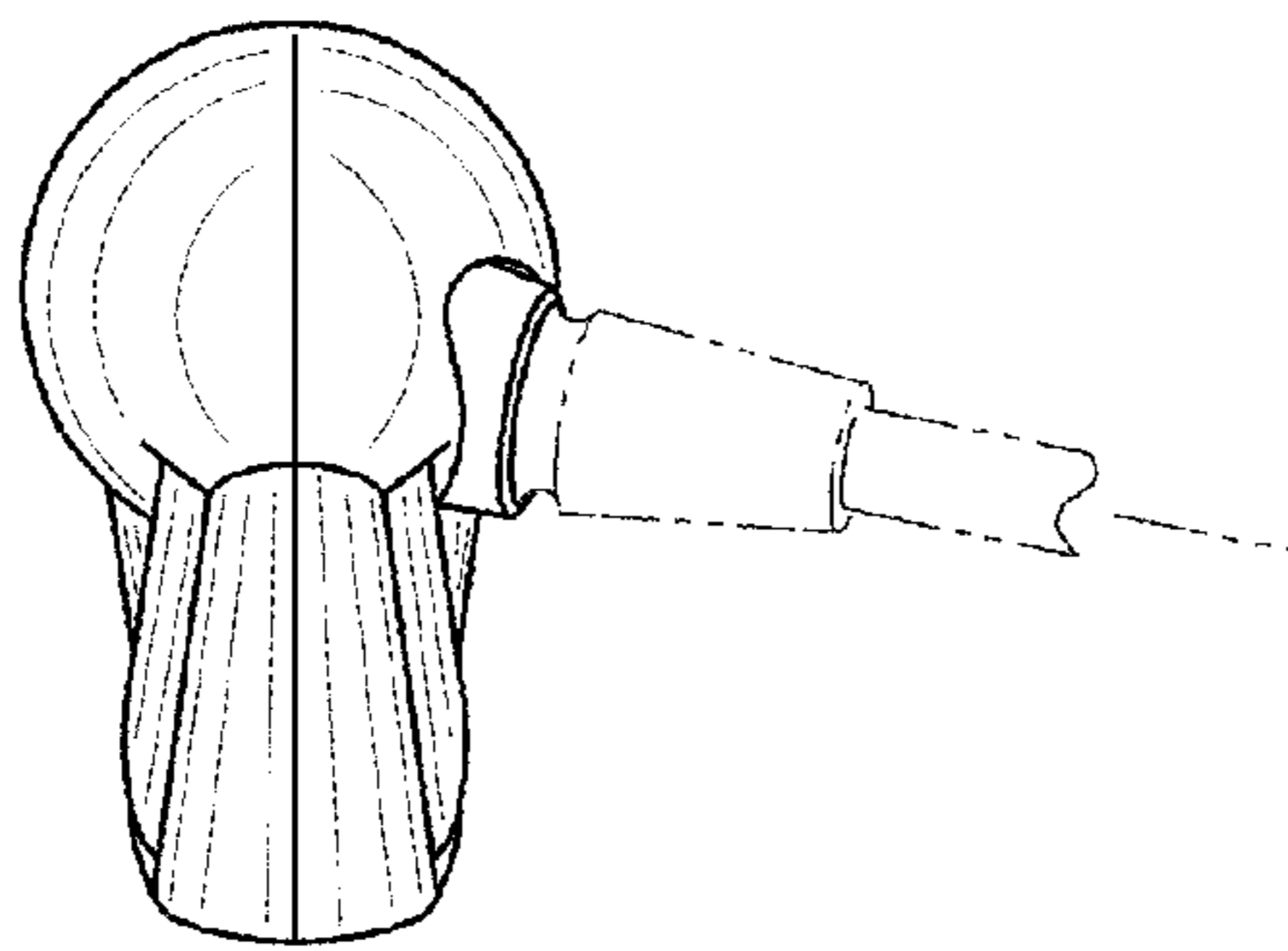


FIG. 11

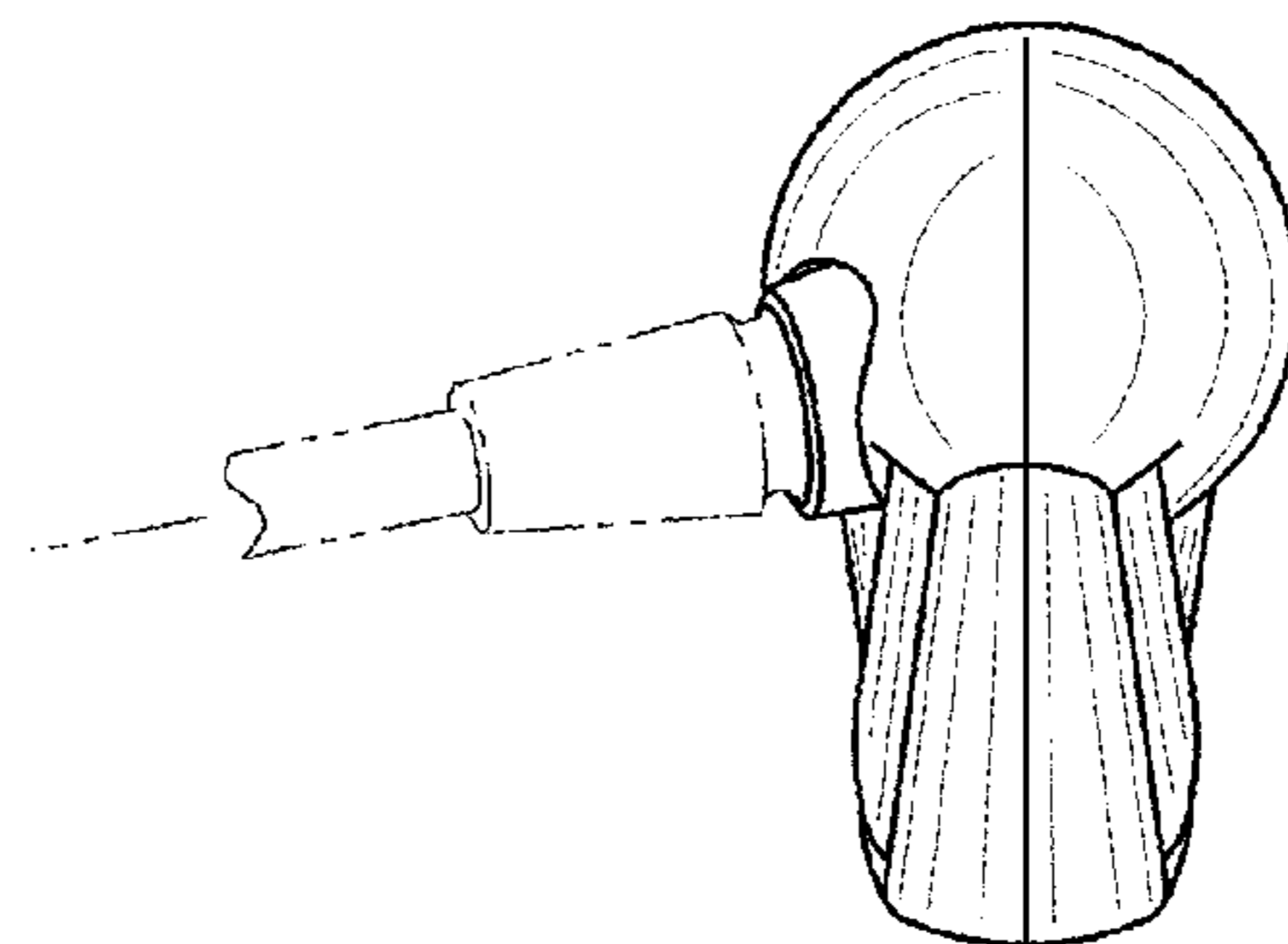


FIG. 12

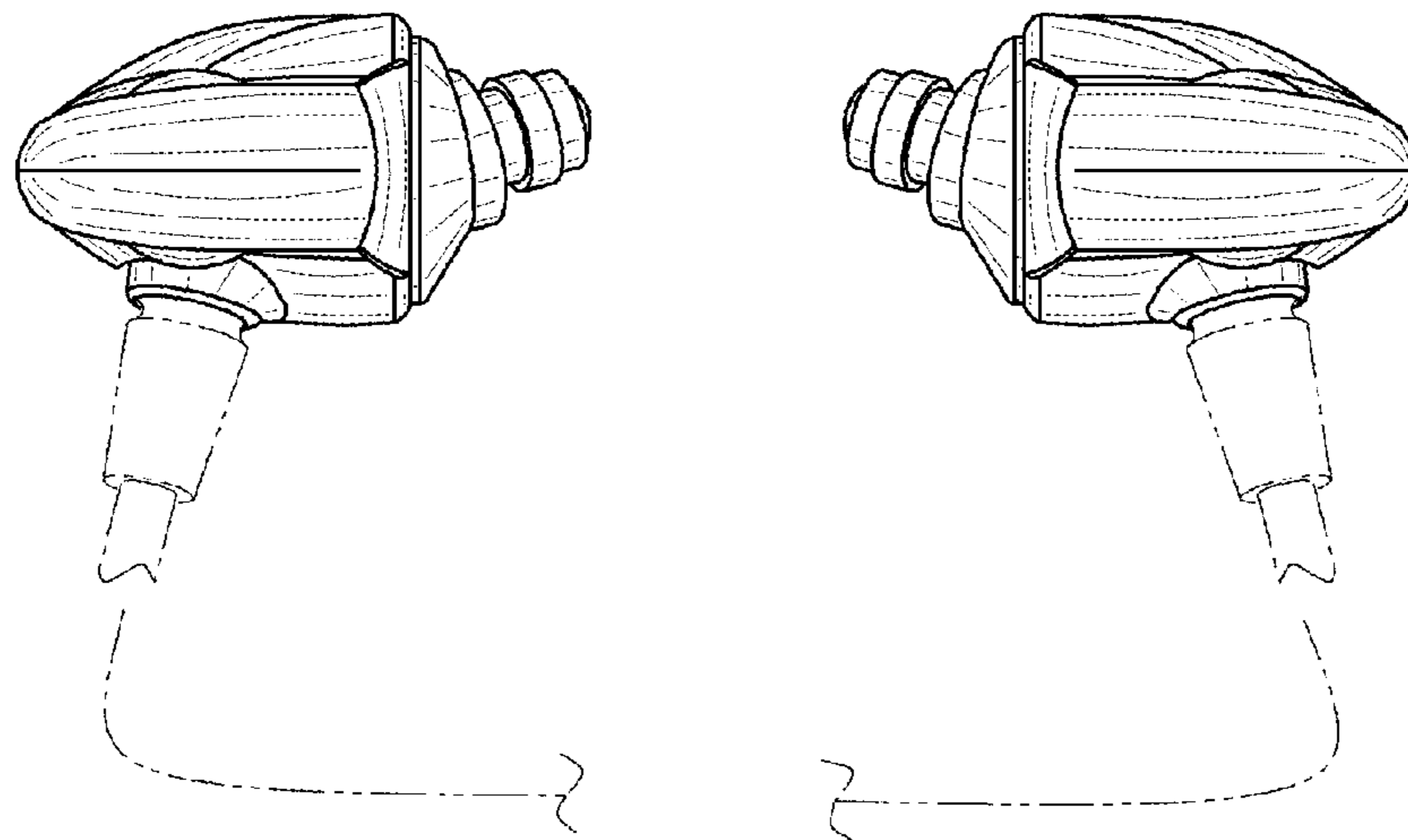


FIG. 13

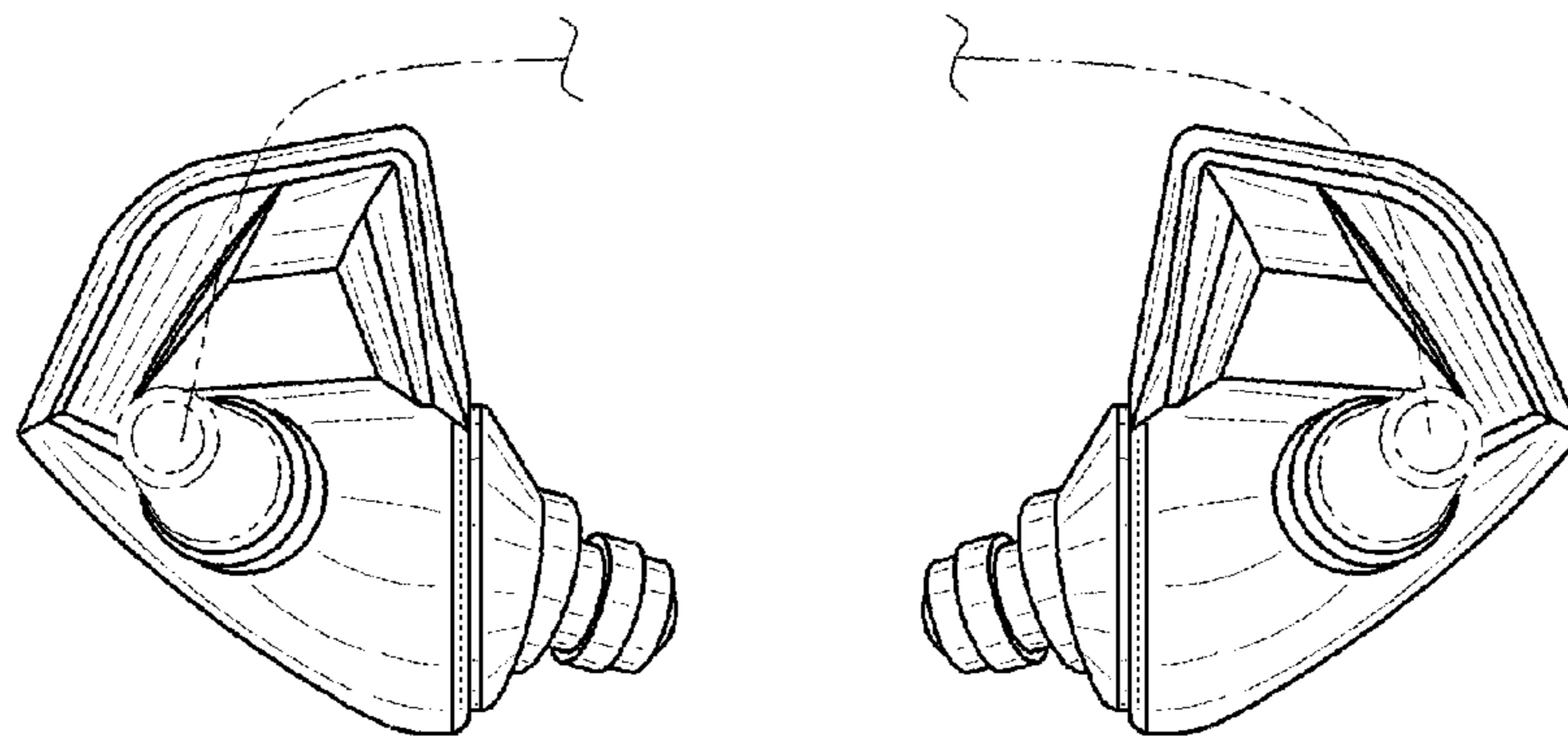


FIG. 14