



US00D725624S

(12) **United States Design Patent**
Carney et al.

(10) **Patent No.:** **US D725,624 S**
(45) **Date of Patent:** **** Mar. 31, 2015**

(54) **SPEAKERPHONE**

(71) Applicants: **Jean-Pierre Carney**, Sudbury, MA (US); **Holger Stoltze**, Billerica, MA (US); **Stephen Lyman**, Hudson, MA (US); **Timothy D Root**, Nashua, NH (US); **Steven M Dibdin**, Bloomfield, NJ (US); **Bill Fiebel**, Succasunna, NJ (US); **Mathieu Zastawny**, Jersey City, NJ (US)

(72) Inventors: **Jean-Pierre Carney**, Sudbury, MA (US); **Holger Stoltze**, Billerica, MA (US); **Stephen Lyman**, Hudson, MA (US); **Timothy D Root**, Nashua, NH (US); **Steven M Dibdin**, Bloomfield, NJ (US); **Bill Fiebel**, Succasunna, NJ (US); **Mathieu Zastawny**, Jersey City, NJ (US)

(73) Assignee: **RevoLabs, Inc.**, Sudbury, MA (US)

(**) Term: **14 Years**

(21) Appl. No.: **29/480,527**

(22) Filed: **Jan. 27, 2014**

(51) **LOC (10) Cl.** **14-03**

(52) **U.S. Cl.**
USPC **D14/149**; D14/140; D14/214; D14/172

(58) **Field of Classification Search**
CPC ... H04M 1/6033; H04M 1/6041; H04M 9/08; H04M 9/082; H04M 3/567; H04R 1/403; H04R 9/10
USPC D14/172, 140, 140.2, 140.6, 149, 150, D14/155, 158, 159, 167, 168, 185, 186, 188, D14/191, 192, 194, 203.3, 204, 210, 212, D14/214-219, 221-229, 255, 240, 242, 243, D14/251, 253, 402-409, 416, 431, 432, 434, D14/496; D13/107-108, 110; D23/351; 379/388.01, 388.02, 420.01, 420.02, 379/420.03, 420.04, 433.02; 381/336, 361, 381/363, 385, 386

See application file for complete search history.

(56) **References Cited**

U.S. PATENT DOCUMENTS

2,718,563	A *	9/1955	Nicholides	381/162
D182,794	S *	5/1958	Eames	D14/214
D370,862	S *	6/1996	John-Hurlow	D10/106.1
5,896,461	A *	4/1999	Faraci et al.	381/386
D449,036	S *	10/2001	Weikel et al.	D14/215
D481,371	S *	10/2003	Chen	D14/150
D508,042	S *	8/2005	Oikawa	D14/214
6,973,179	B1 *	12/2005	Kaufman et al.	379/388.02
D526,640	S *	8/2006	Chin et al.	D14/188
D529,019	S *	9/2006	Lim	D14/172
D544,463	S *	6/2007	Harris	D14/168
D557,256	S *	12/2007	Joseph	D14/214
D558,728	S *	1/2008	Murakami	D14/150
D567,354	S *	4/2008	Jacak et al.	D23/388
D570,820	S *	6/2008	Katori	D14/149
D575,386	S *	8/2008	Jacak et al.	D23/371
D598,005	S *	8/2009	Amano	D14/209.1
D617,889	S *	6/2010	Miyake	D23/385
D618,782	S *	6/2010	Zakula et al.	D23/385

(Continued)

Primary Examiner — Susan Hattan

Assistant Examiner — Marie Fast Horse

(74) *Attorney, Agent, or Firm* — Robert Schuler

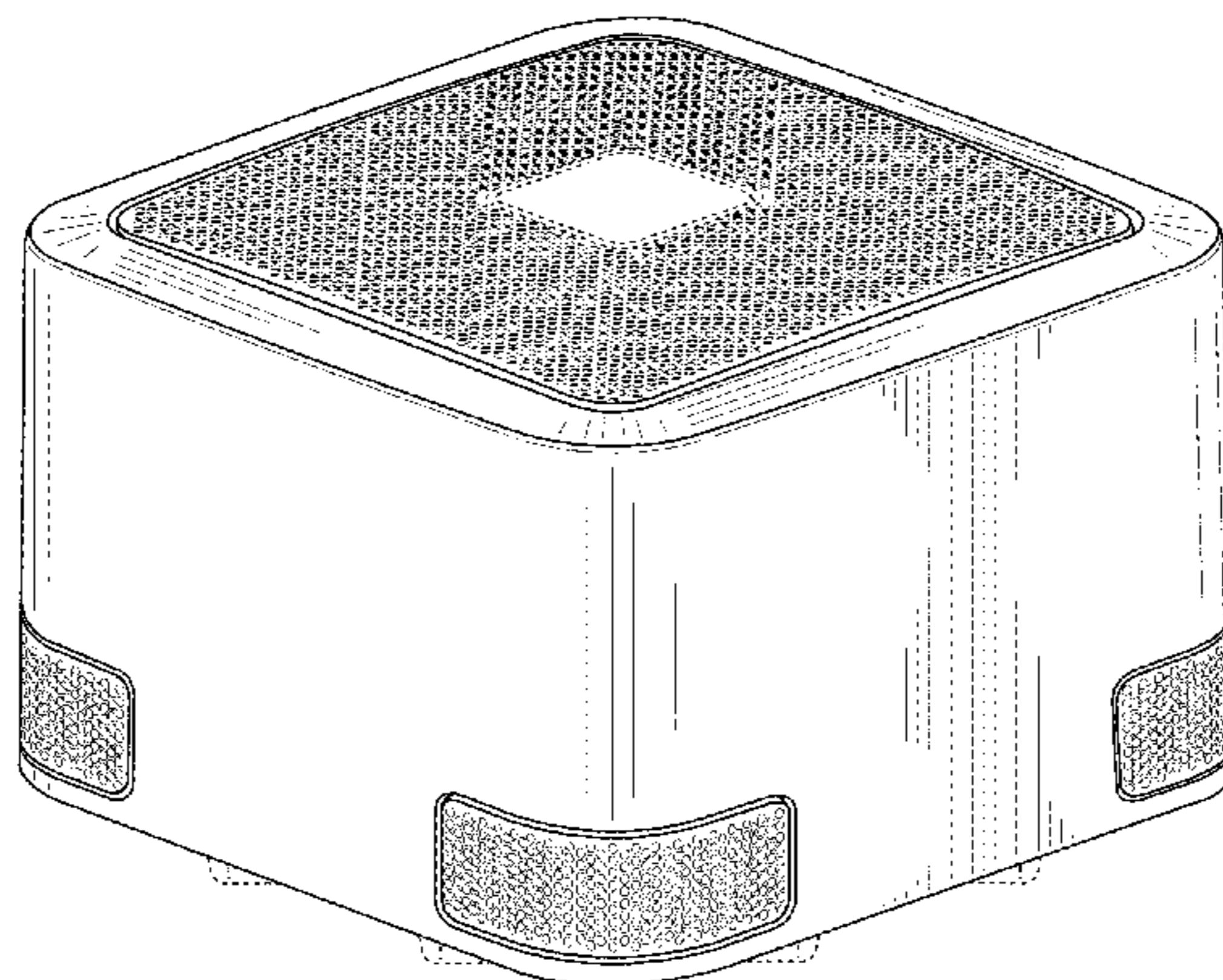
(57) **CLAIM**

An ornamental design for a speakerphone, as shown and described.

DESCRIPTION

FIG. 1 is a perspective view showing the top, front and left side of a speakerphone according to one embodiment. FIG. 2 is a front elevation view of the speakerphone in FIG. 1. FIG. 3 is a back elevation view of the speakerphone in FIG. 1. FIG. 4 is a right side elevation view of the speakerphone in FIG. 1. FIG. 5 is a left side elevation view of the speakerphone in FIG. 1; and, FIG. 6 is a top plan view of the speakerphone in FIG. 1. The broken lines appearing in FIGS. 1 through 6 depict parts of the speakerphone that are for illustrative purposes only and form no part of the claimed design.

1 Claim, 6 Drawing Sheets



(56)

References Cited

U.S. PATENT DOCUMENTS

D628,556 S *	12/2010	Lee et al.	D14/214	D695,708 S *	12/2013	Szymanski et al.	D14/214
D643,020 S *	8/2011	Zhang	D14/215	D695,709 S *	12/2013	Szymanski et al.	D14/214
D646,665 S *	10/2011	Iijima	D14/214	D695,710 S *	12/2013	Szymanski et al.	D14/214
8,077,857 B1 *	12/2011	Lambert	379/406.02	D695,711 S *	12/2013	Szymanski et al.	D14/214
8,111,838 B2 *	2/2012	Tokuda et al.	381/92	D695,712 S *	12/2013	Szymanski et al.	D14/214
D676,421 S *	2/2013	Garrett	D14/214	D707,202 S *	6/2014	McManigal	D14/214
D678,243 S *	3/2013	McManigal et al.	D14/214	D710,824 S *	8/2014	Mackiewicz et al.	D14/214
D680,097 S *	4/2013	Davies et al.	D14/215	D714,249 S *	9/2014	Carney et al.	D14/140
D682,248 S *	5/2013	Esslinger et al.	D14/172	D716,772 S *	11/2014	Cavero et al.	D14/225
D686,182 S *	7/2013	Ashiwa et al.	D14/149	D718,739 S *	12/2014	DiTullo et al.	D14/214
D690,280 S *	9/2013	Schul	D14/188	2009/0245566 A1 *	10/2009	Jheng	381/386
D695,707 S *	12/2013	Szymanski et al.	D14/214	2009/0268899 A1 *	10/2009	Tokuda et al.	379/420.02
				2010/0215203 A1 *	8/2010	Sip	381/386
				2011/0150261 A1 *	6/2011	Ho et al.	381/361
				2013/0329935 A1 *	12/2013	Guenther	381/386

* cited by examiner

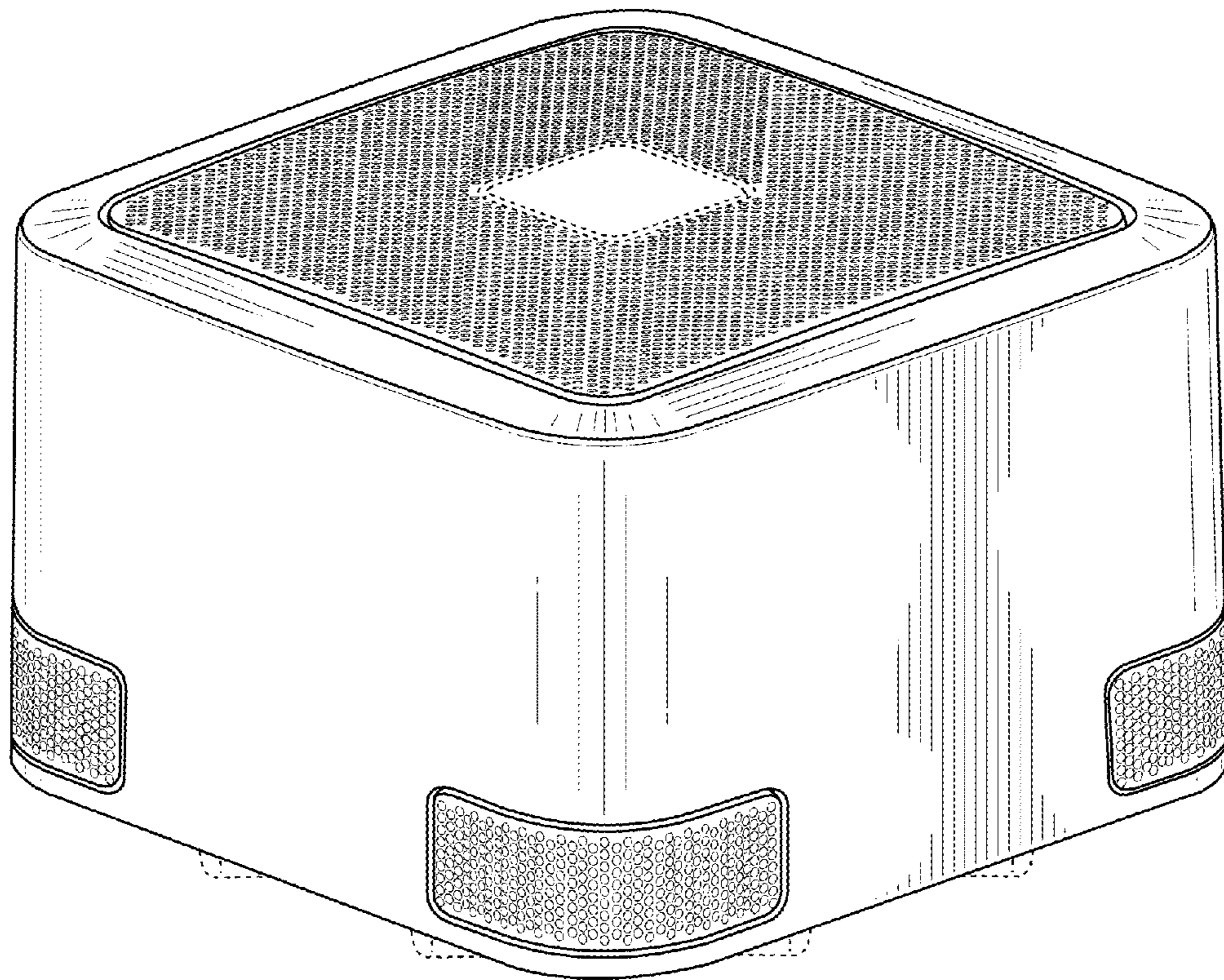


FIG. 1

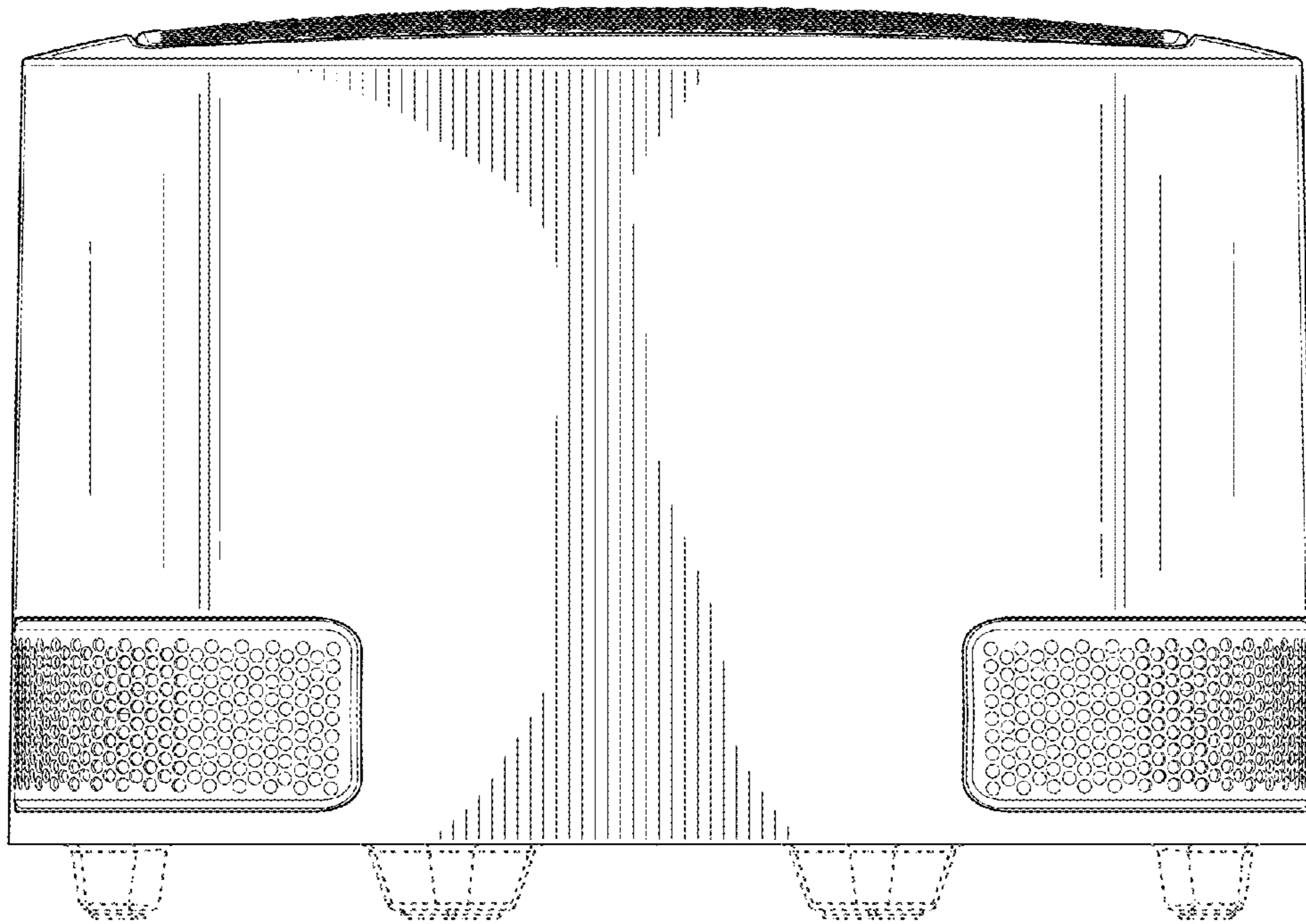


FIG. 2

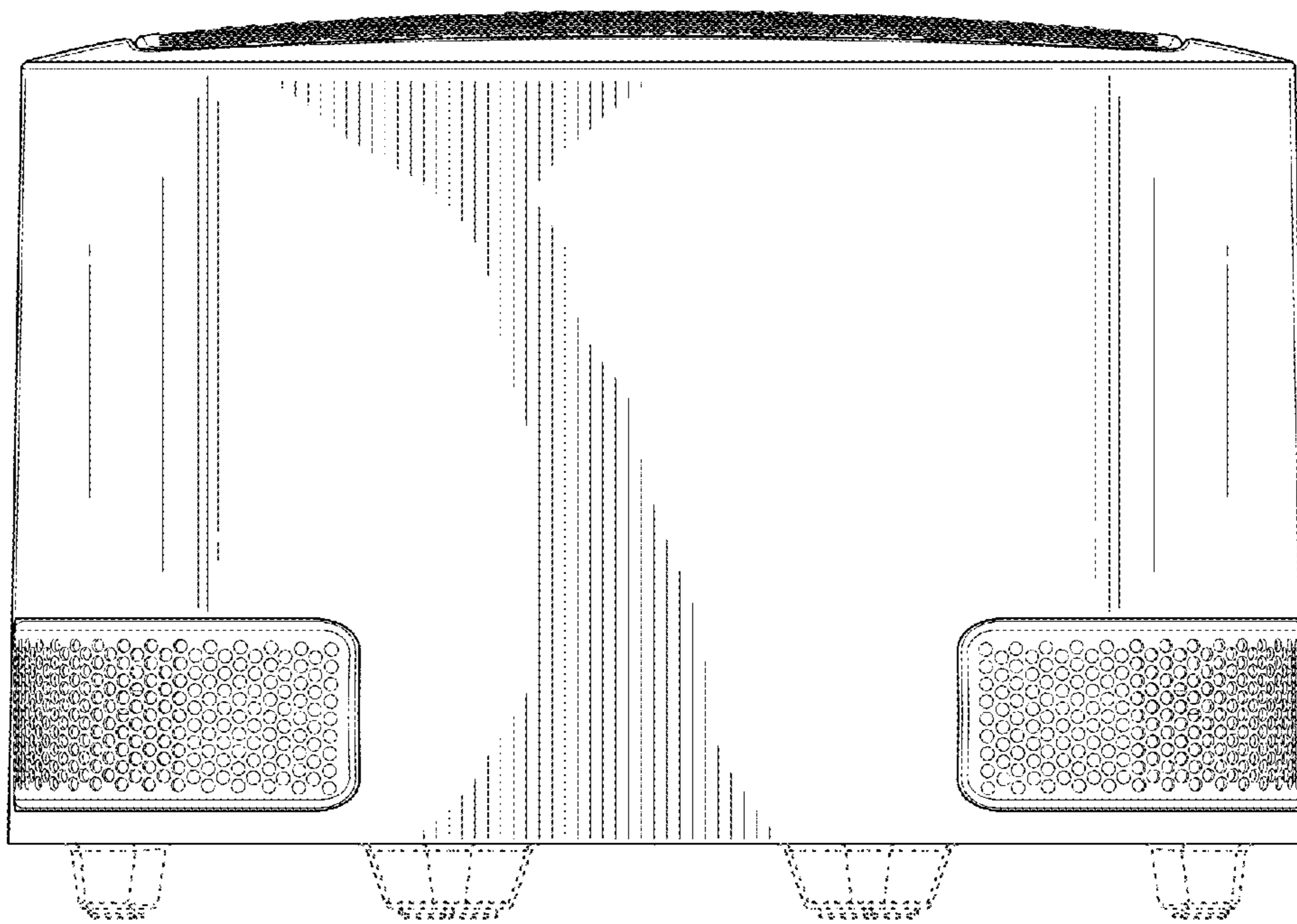


FIG. 3

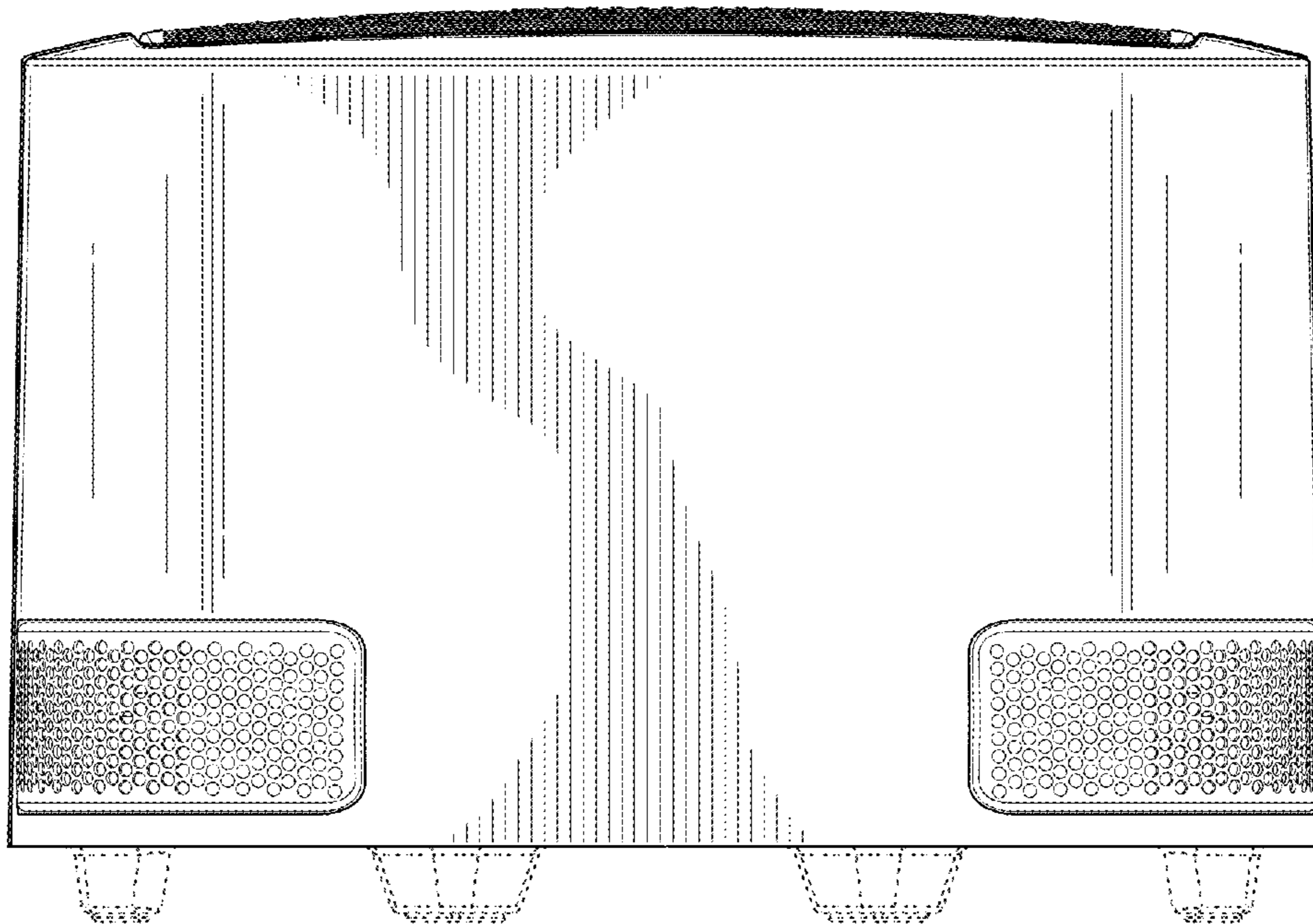


FIG. 4

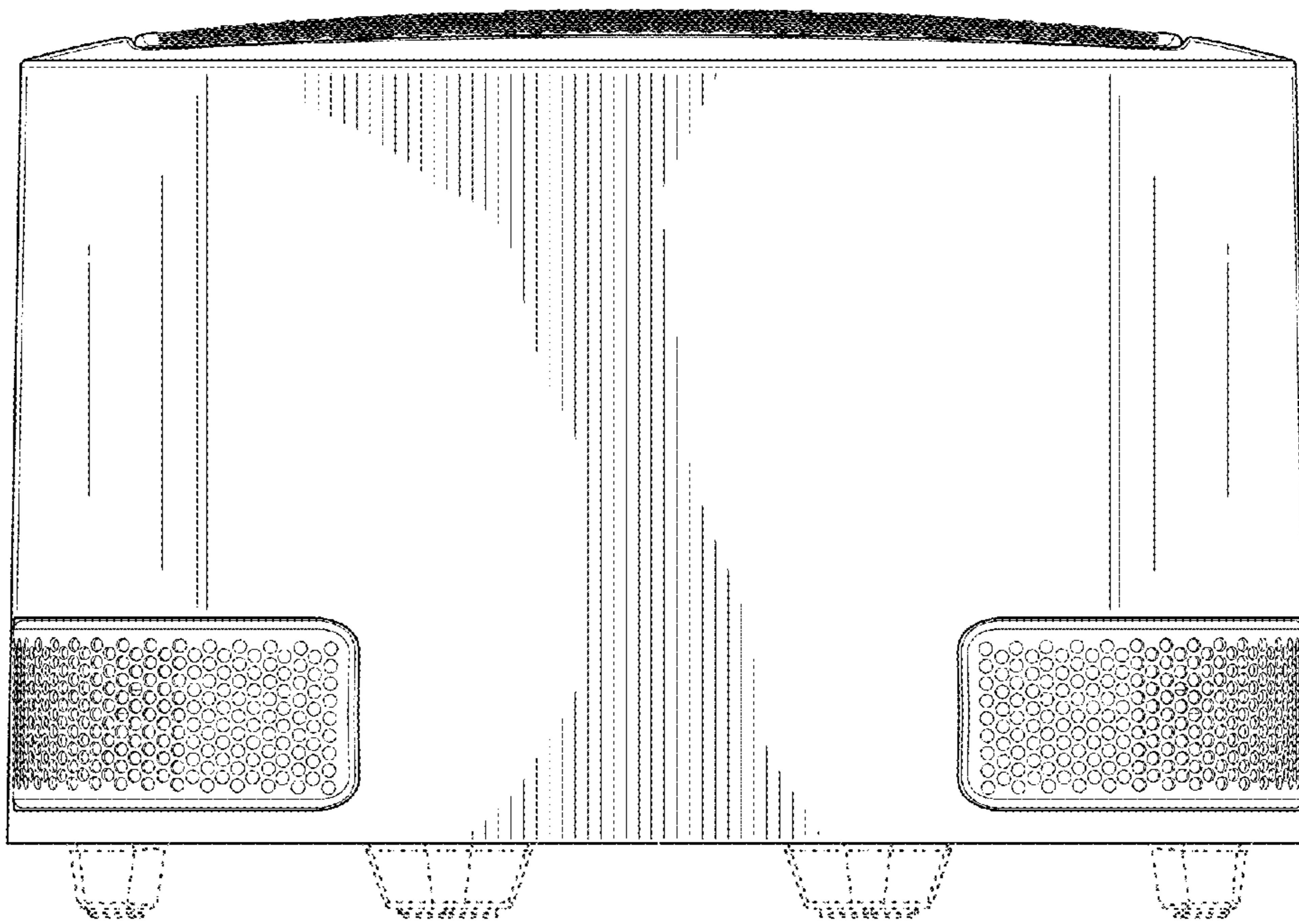


FIG. 5

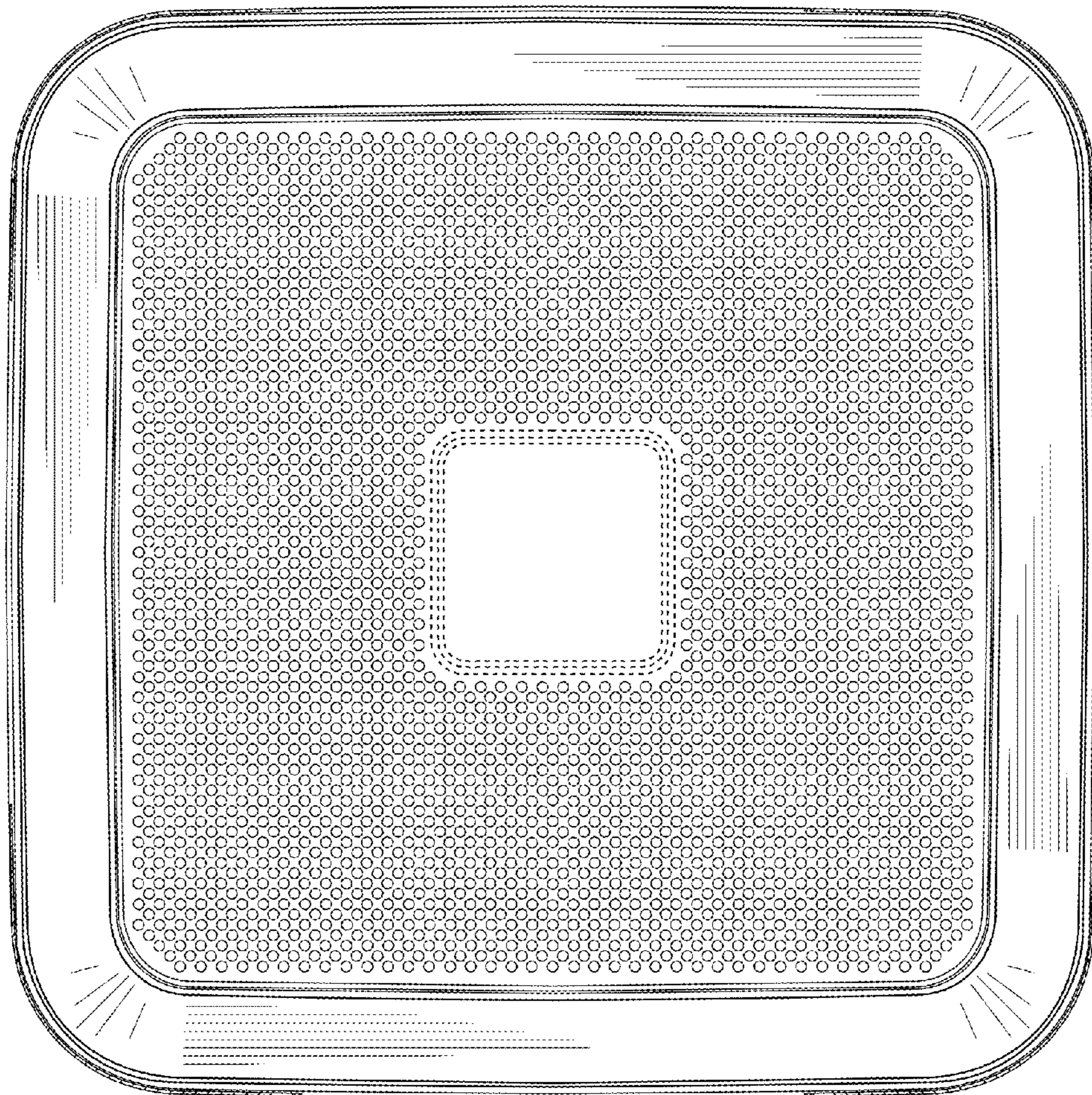


FIG. 6