



US00D725623S

(12) **United States Design Patent**  
**Hartmann et al.**

(10) **Patent No.:** **US D725,623 S**  
(45) **Date of Patent:** **\*\* Mar. 31, 2015**

- (54) **CAPTIONING COMMUNICATION DEVICE**
- (71) Applicant: **Sorenson Communications, Inc.**, Salt Lake City, UT (US)
- (72) Inventors: **James Joseph Hartmann**, Fishers, IN (US); **Everett Wayne Mathis**, Greenwood, IN (US)
- (73) Assignee: **Captioncall, LLC**, Salt Lake City, UT (US)
- (\*\*) Term: **14 Years**
- (21) Appl. No.: **29/457,099**
- (22) Filed: **Jun. 6, 2013**
- (51) **LOC (10) Cl.** ..... **14-03**
- (52) **U.S. Cl.**  
USPC ..... **D14/140**
- (58) **Field of Classification Search**  
CPC ... H04M 1/02; H04M 1/6041; H04M 1/0289;  
H04M 1/0297; H04M 1/03; H04M 1/19;  
E05D 7/12; E05D 11/082  
USPC ..... D14/130, 140, 140.3, 142, 147-151,  
D14/329, 330, 434, 447, 241, 251, 253;  
D13/107, 108; 379/428.01-428.04,  
379/440, 446; 320/110, 113-115  
See application file for complete search history.

- D663,287 S \* 7/2012 Kim et al. .... D14/218
- D664,519 S \* 7/2012 Akatsu et al. .... D14/142
- D664,520 S \* 7/2012 Shadovitz et al. .... D14/150
- D675,591 S \* 2/2013 Han ..... D14/138 AA
- D694,195 S \* 11/2013 Gammon et al. .... D13/162
- D695,735 S \* 12/2013 Kitchen et al. .... D14/341
- 2012/0044186 A1\* 2/2012 Lapstun et al. .... 345/173

**OTHER PUBLICATIONS**

CaptionCall® Life is Calling, Setup Guide, at least as early as 2011.

\* cited by examiner

*Primary Examiner* — Caron D Veynar  
*Assistant Examiner* — Holly E Thurman  
(74) *Attorney, Agent, or Firm* — TraskBritt

**CLAIM**

The ornamental design for a captioning communication device, as shown and described.

**DESCRIPTION**

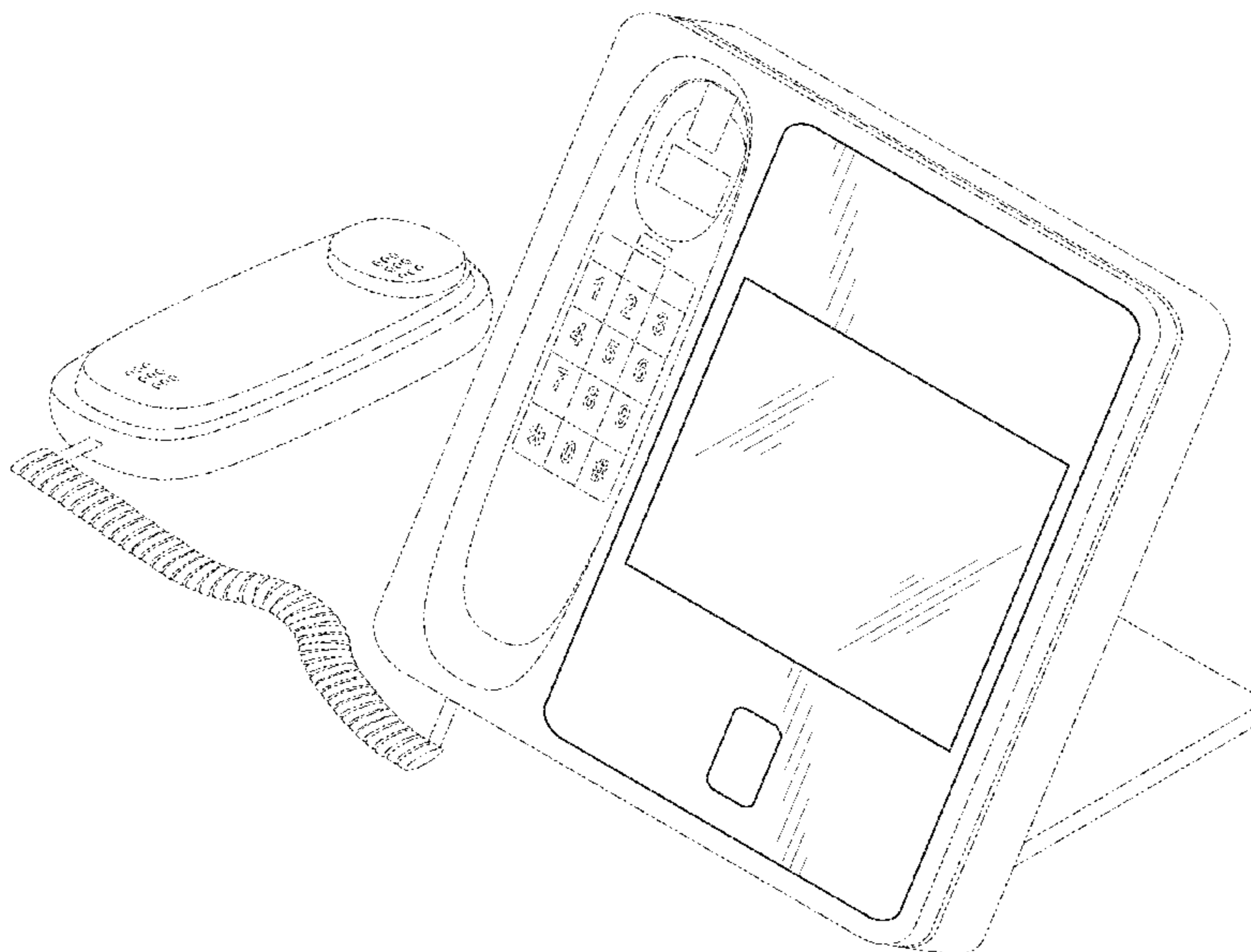
FIG. 1 is a perspective view of the captioning communication device showing our new design;  
 FIG. 2 is a front view of the captioning communication device shown in FIG. 1;  
 FIG. 3 is a rear view of the captioning communication device shown in FIG. 1;  
 FIG. 4 is a right side view of the captioning communication device shown in FIG. 1;  
 FIG. 5 is a left side view of the captioning communication device shown in FIG. 1;  
 FIG. 6 is a top view of the captioning communication device shown in FIG. 1; and,  
 FIG. 7 is a bottom view of the captioning communication device shown in FIG. 1.  
 The broken lines in FIGS. 1-7 are for environmental purposes only and do not form any part of the claimed design.

**1 Claim, 4 Drawing Sheets**

(56) **References Cited**

**U.S. PATENT DOCUMENTS**

- D316,856 S \* 5/1991 Urushihara et al. .... D14/129
- D323,657 S \* 2/1992 Danielson et al. .... D14/151
- D365,555 S \* 12/1995 Fukutani et al. .... D14/466
- D631,444 S \* 1/2011 Garay ..... D13/153
- D645,435 S \* 9/2011 Kim et al. .... D14/138 G
- D659,114 S \* 5/2012 Rayn ..... D14/203.7



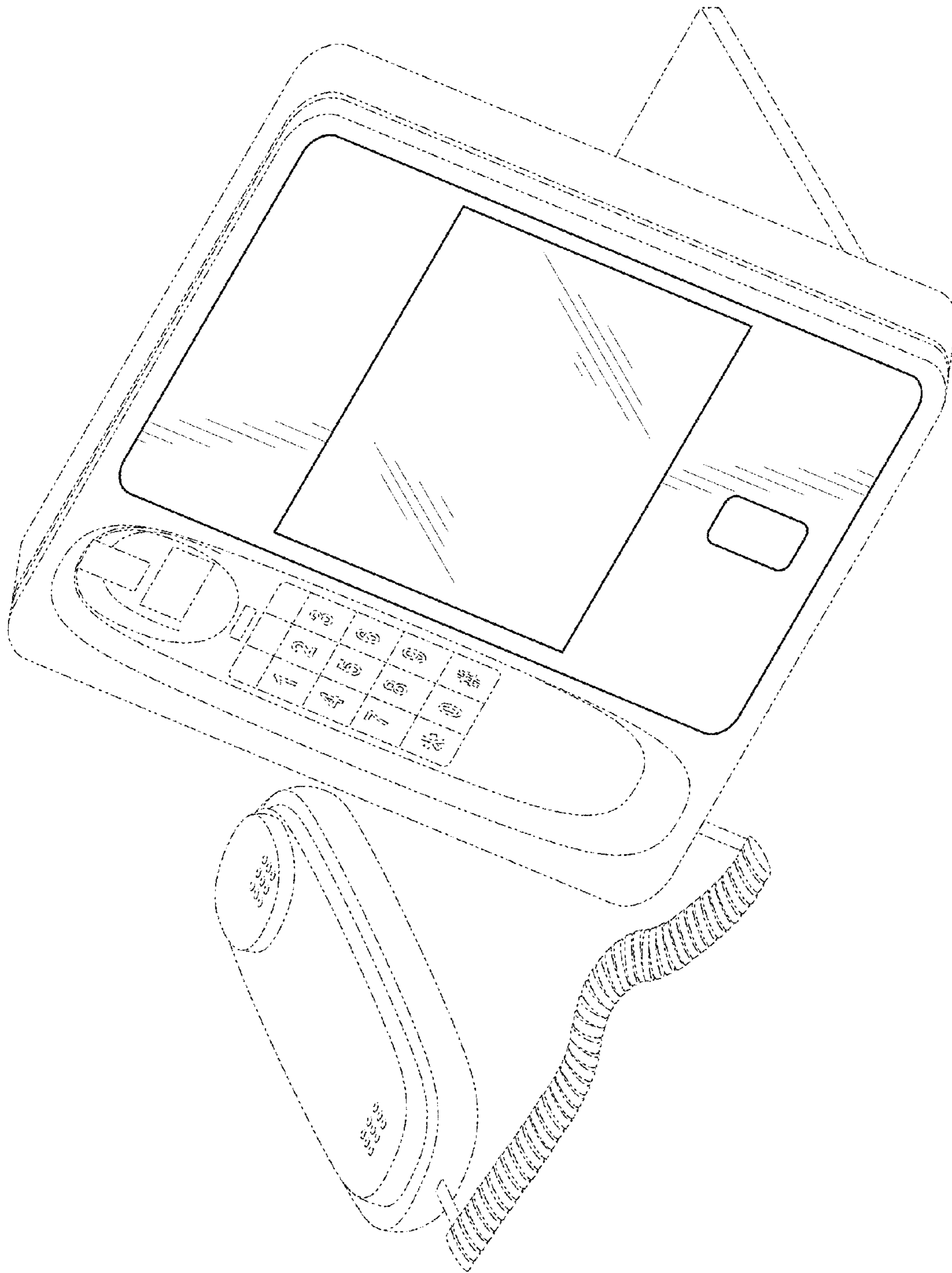


FIG. 1

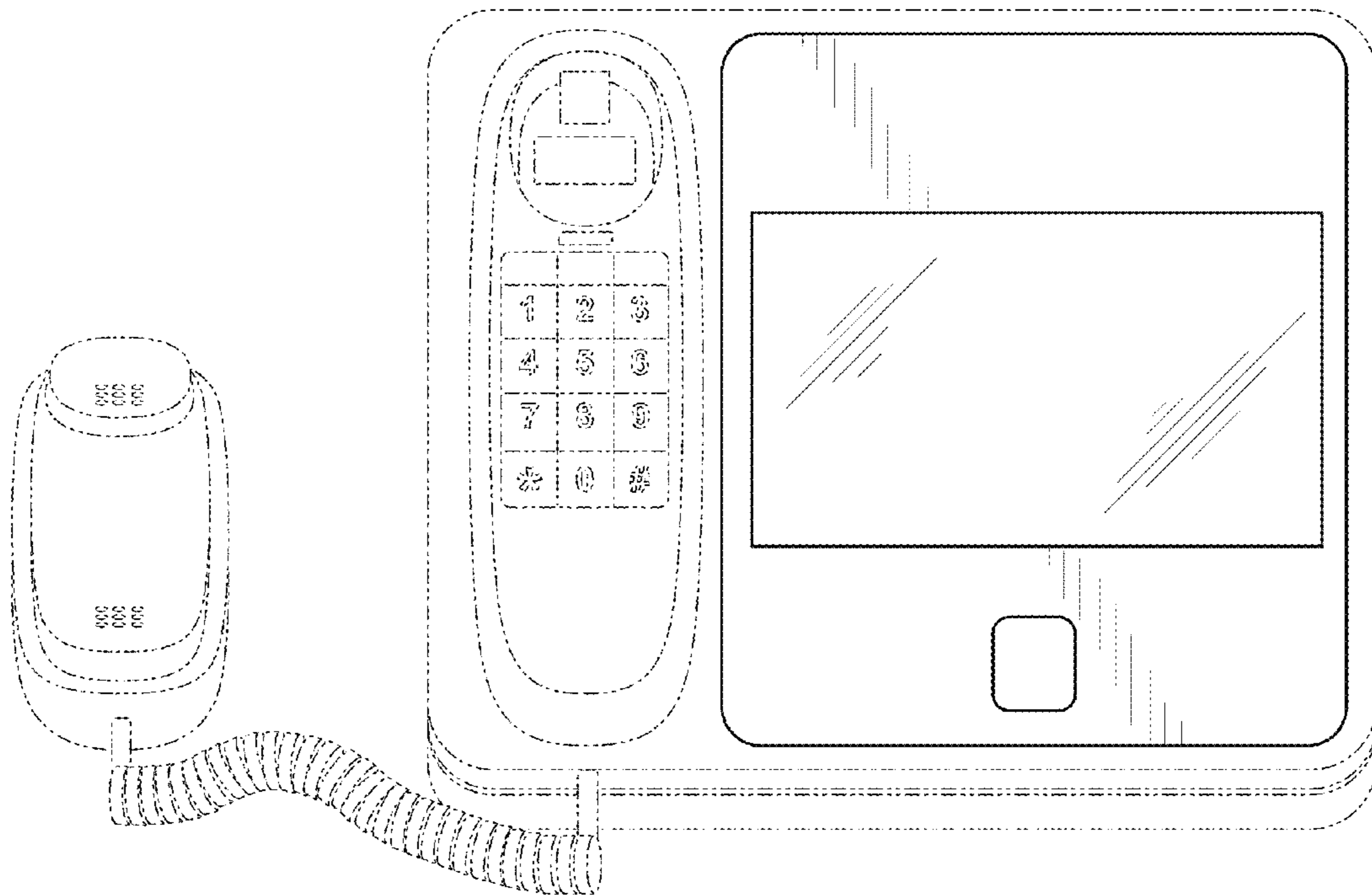


FIG. 2

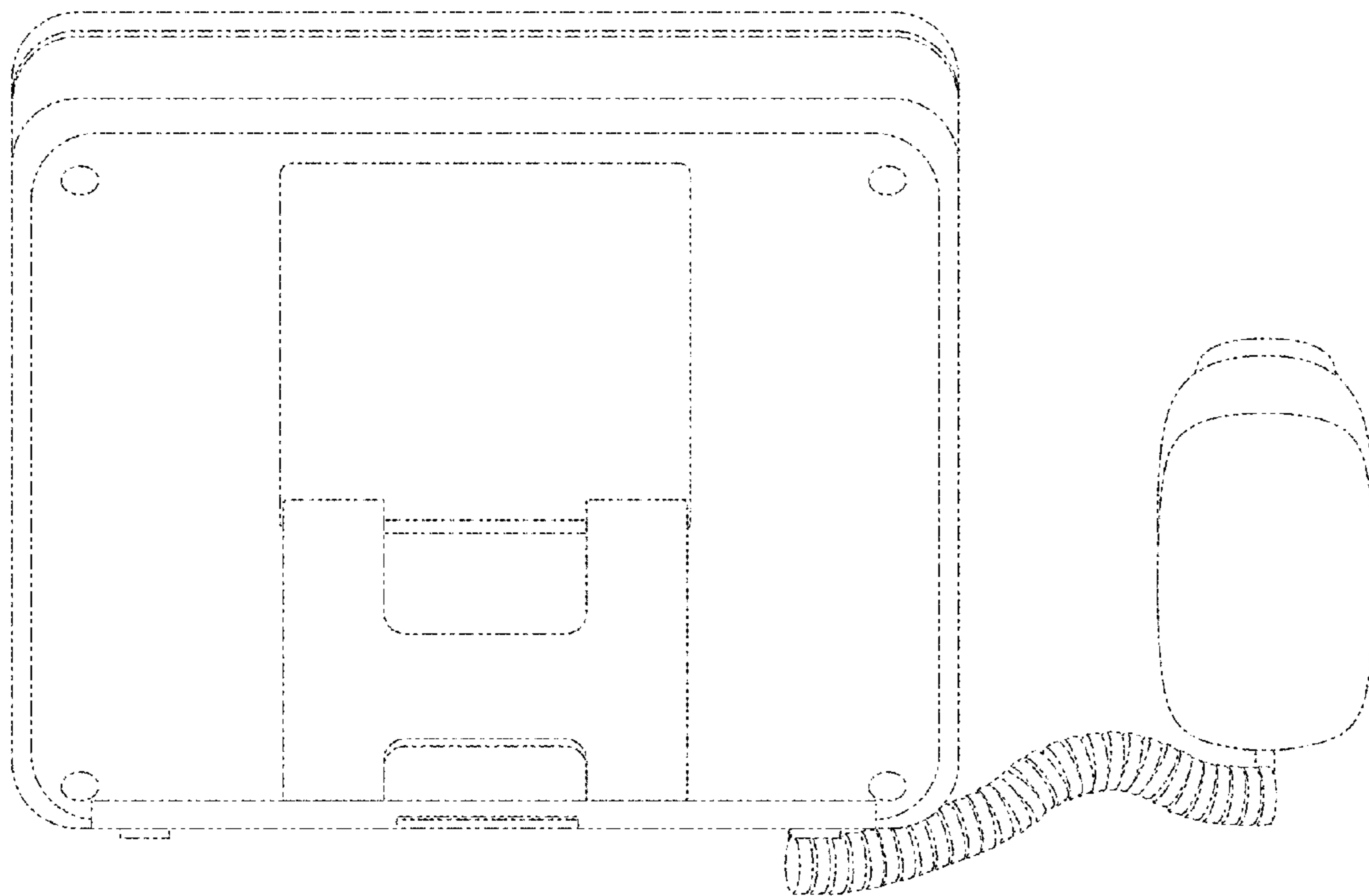
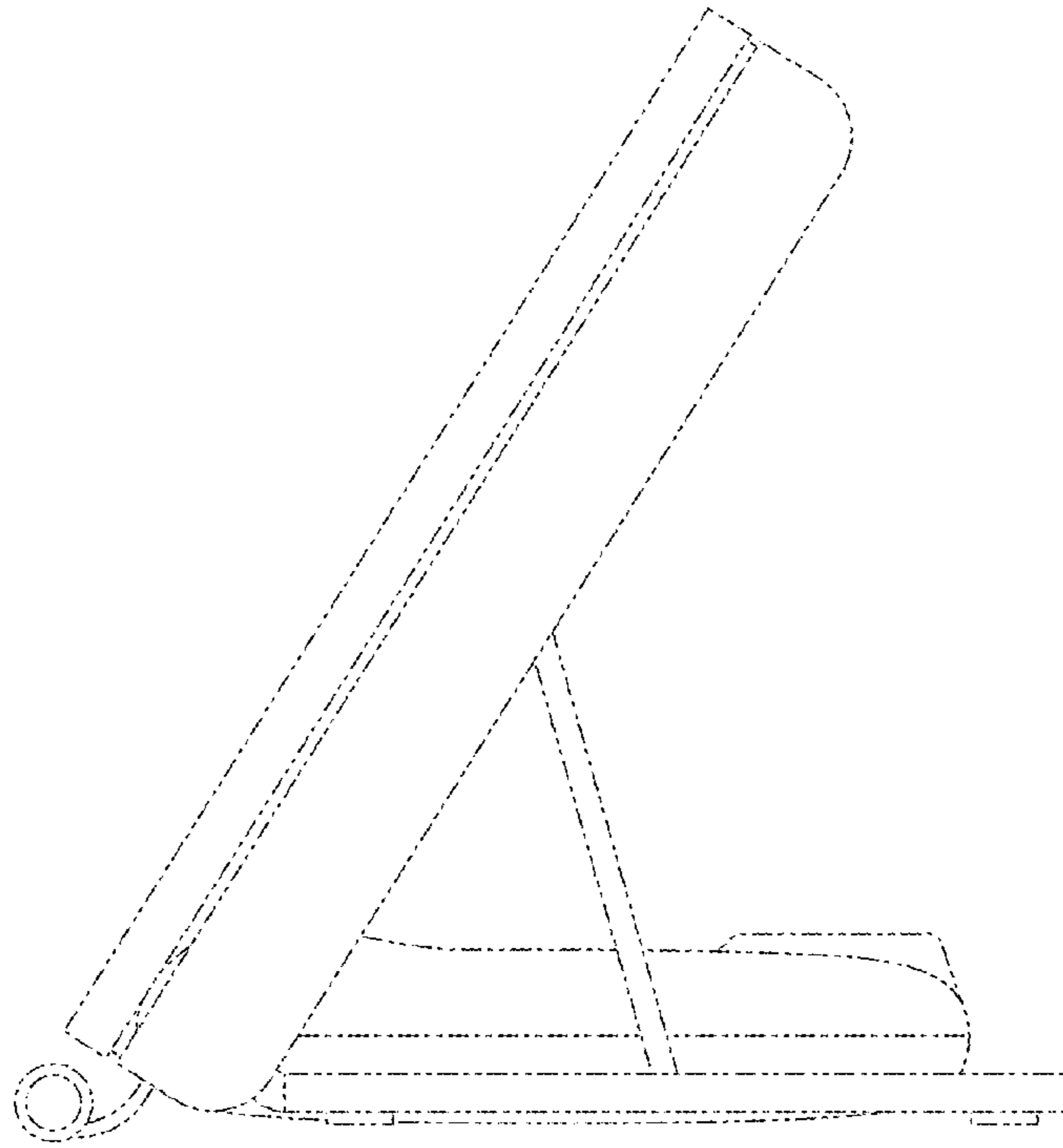
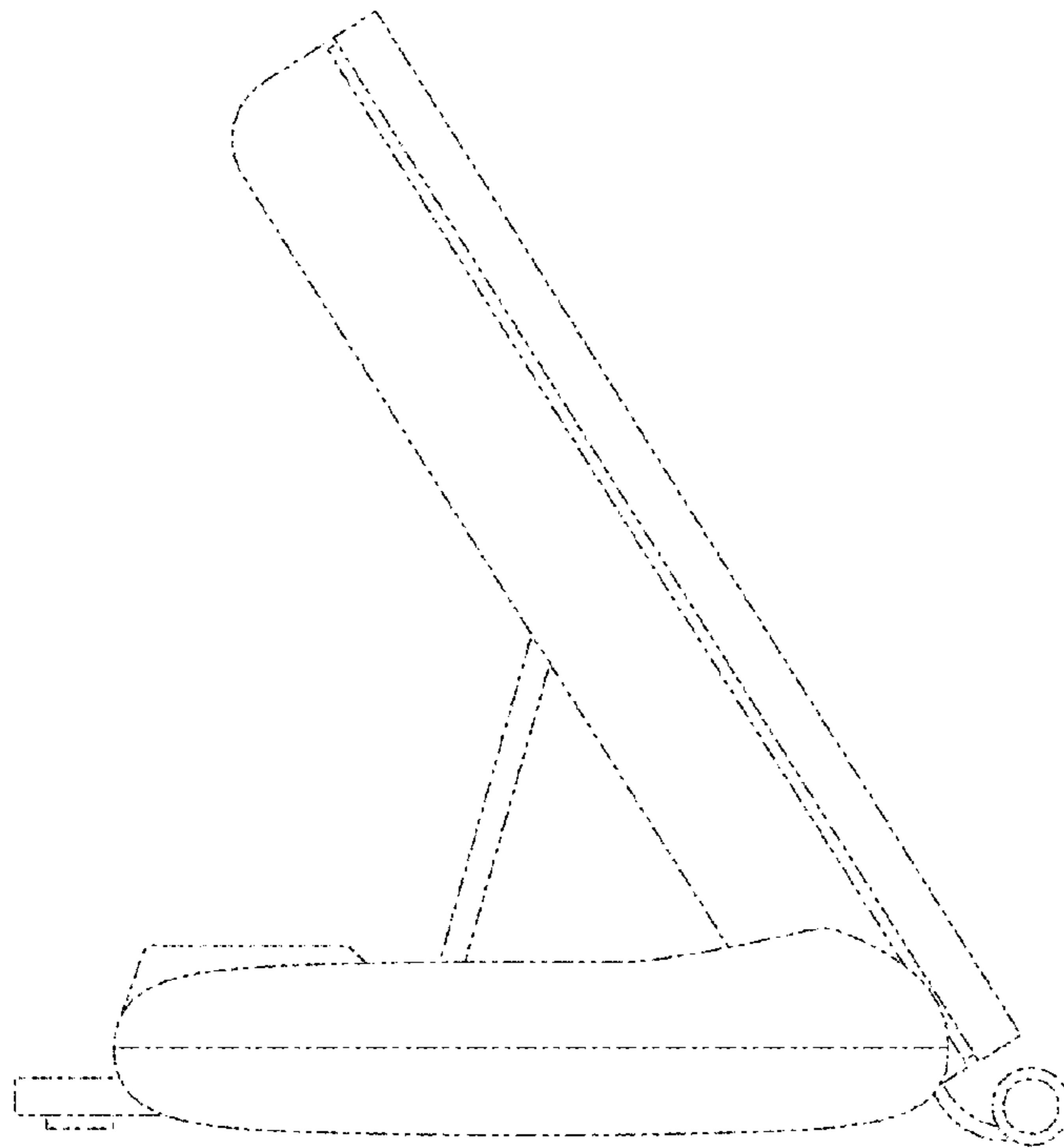


FIG. 3



**FIG. 4**



**FIG. 5**



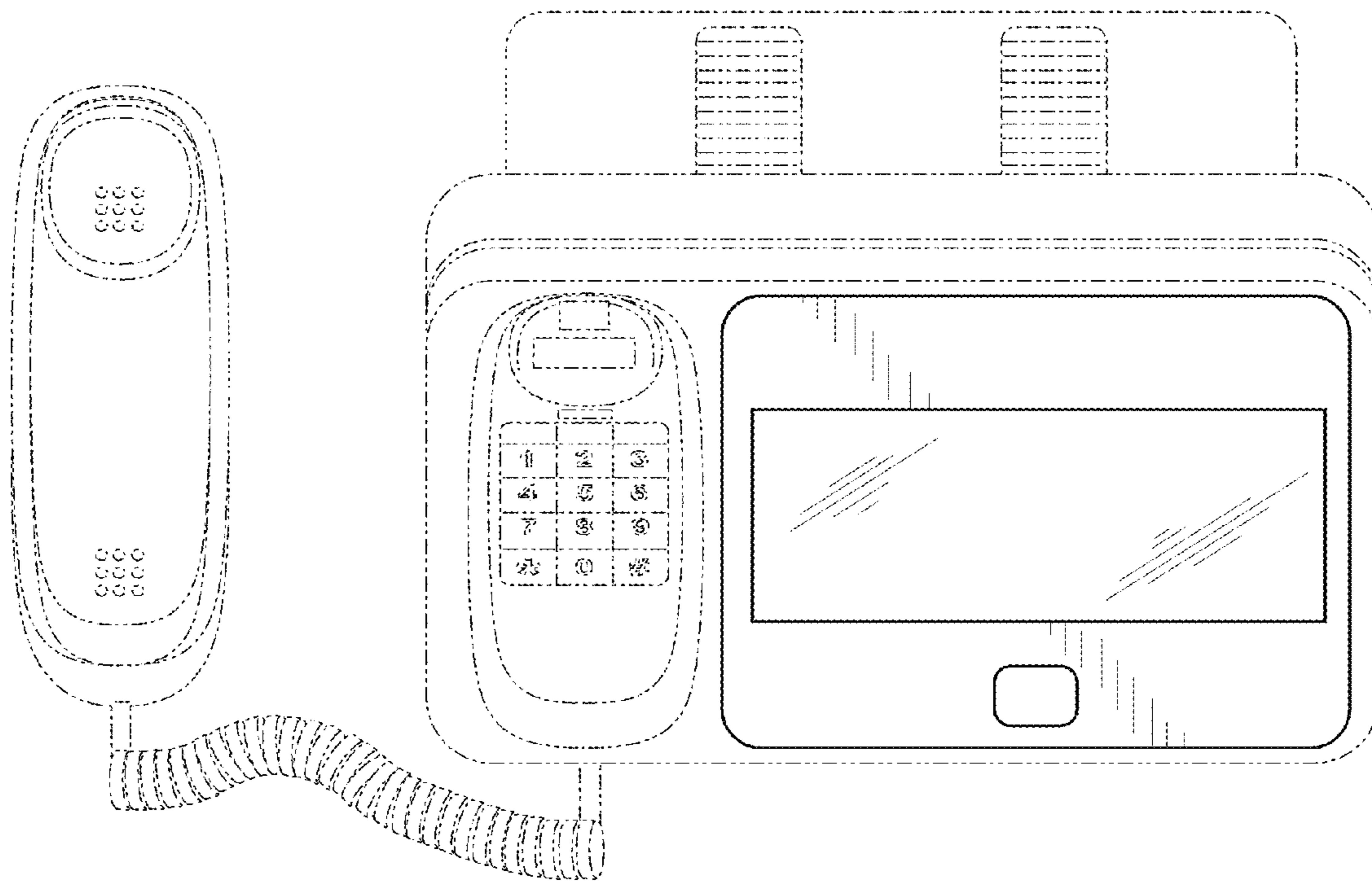


FIG. 6

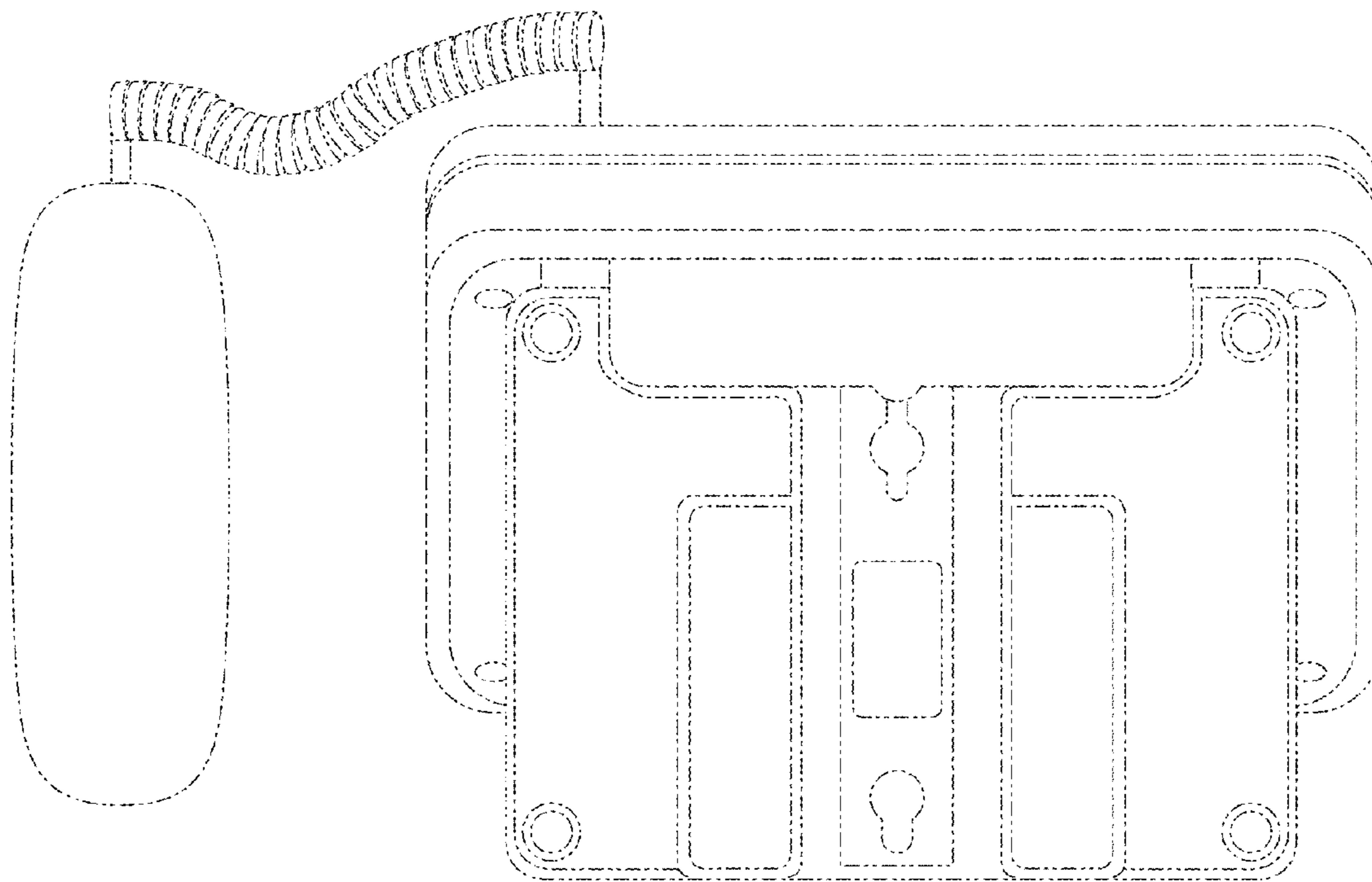


FIG. 7