



US00D725621S

(12) **United States Design Patent**  
**Kim et al.**

(10) **Patent No.:** **US D725,621 S**  
(45) **Date of Patent:** **\*\* Mar. 31, 2015**

(54) **TV RECEIVER**

D6/477, 479, 300; D24/185; D34/14  
See application file for complete search history.

(71) Applicant: **LG Electronics Inc.**, Seoul (KR)

(56) **References Cited**

(72) Inventors: **Hyoungwon Kim**, Seoul (KR); **Hyuntae Ahn**, Seoul (KR); **Junghoon Lee**, Seoul (KR); **Youngkyoung Kim**, Seoul (KR); **Younghun Jang**, Seoul (KR)

U.S. PATENT DOCUMENTS

D535,265	S	*	1/2007	Inoue	.....	D14/126
D691,977	S	*	10/2013	Lee et al.	.....	D14/126
D704,157	S	*	5/2014	Cha et al.	.....	D14/126
D709,470	S	*	7/2014	Ryu et al.	.....	D14/126

(73) Assignee: **LG Electronics Inc.**, Seoul (KR)

\* cited by examiner

(\*\*) Term: **14 Years**

*Primary Examiner* — Raphael Barkai

(21) Appl. No.: **29/508,992**

(74) *Attorney, Agent, or Firm* — Birch, Stewart, Kolasch & Birch, LLP

(22) Filed: **Nov. 13, 2014**

(57) **CLAIM**

(30) **Foreign Application Priority Data**

The ornamental design for a TV receiver, as shown and described.

May 14, 2014 (KR) ..... 30-2014-0023893

**DESCRIPTION**

(51) **LOC (10) Cl.** ..... **14-03**

FIG. 1 is a front, right side, perspective view of a TV receiver showing our new design;

(52) **U.S. Cl.**

USPC ..... **D14/126**

FIG. 2 is a front view thereof;

(58) **Field of Classification Search**

CPC ... G06F 1/1601; G06F 1/1643; H05K 5/0004;

H05K 5/0017; H05K 5/02; H05K 5/0217

USPC ..... D14/125-134, 239, 371, 136, 374-377,

D14/440, 450, 448, 336, 342, 159; 312/7.2;

348/836, 838, 180, 184, 325, 739;

248/917-924, 465; 345/104, 133, 156,

345/168, 87, 173; D21/329, 515, 577, 622,

D21/333, 433, 448, 452, 450, 331, 505;

D10/15, 26; 446/484, 175, 356;

FIG. 3 is a rear view thereof;

FIG. 4 is a left side view thereof;

FIG. 5 is a right side view thereof;

FIG. 6 is a top view thereof;

FIG. 7 is a bottom view thereof; and,

FIG. 8 is a rear, left side, perspective view with the TV receiver thereof.

**1 Claim, 5 Drawing Sheets**

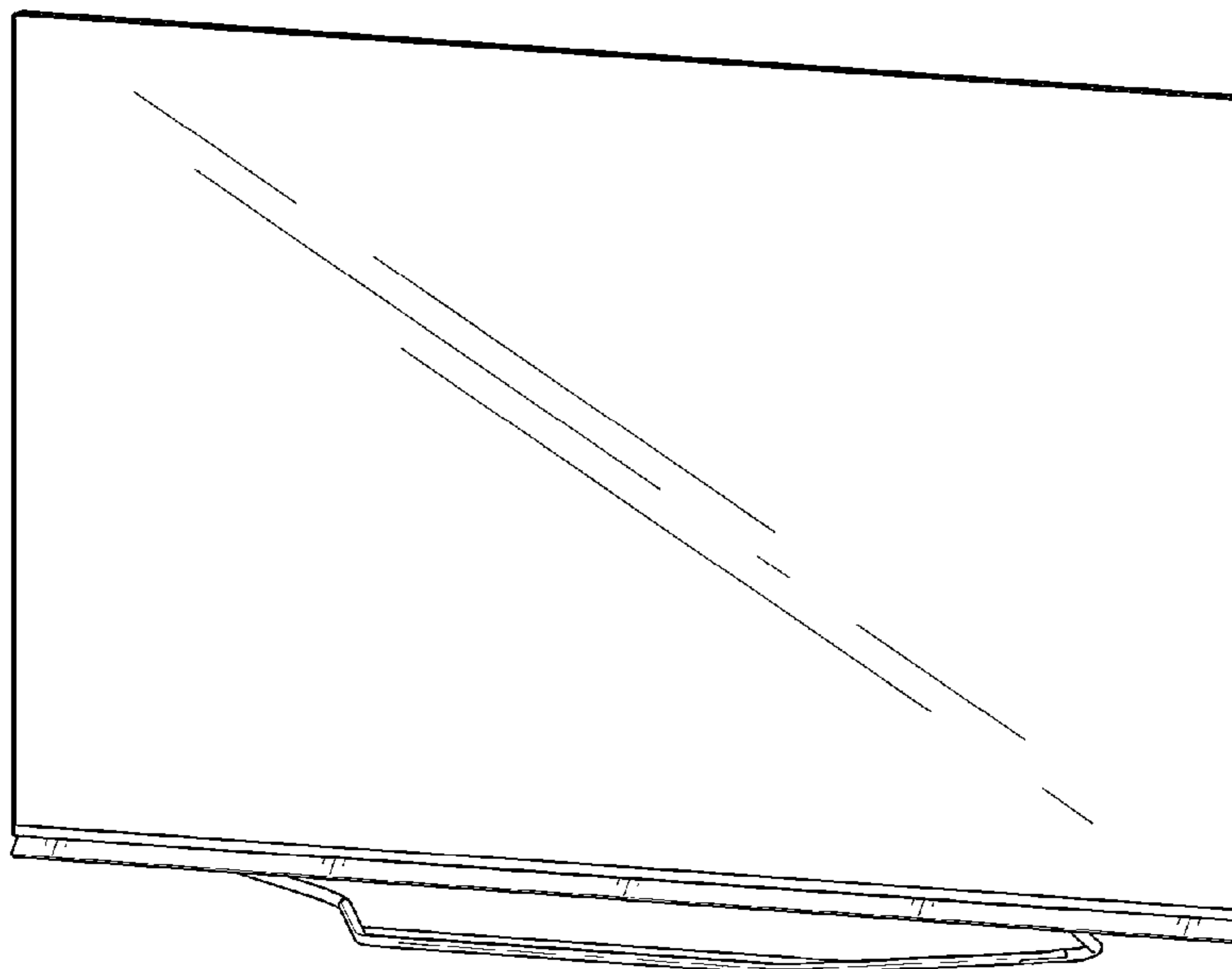


FIG. 1

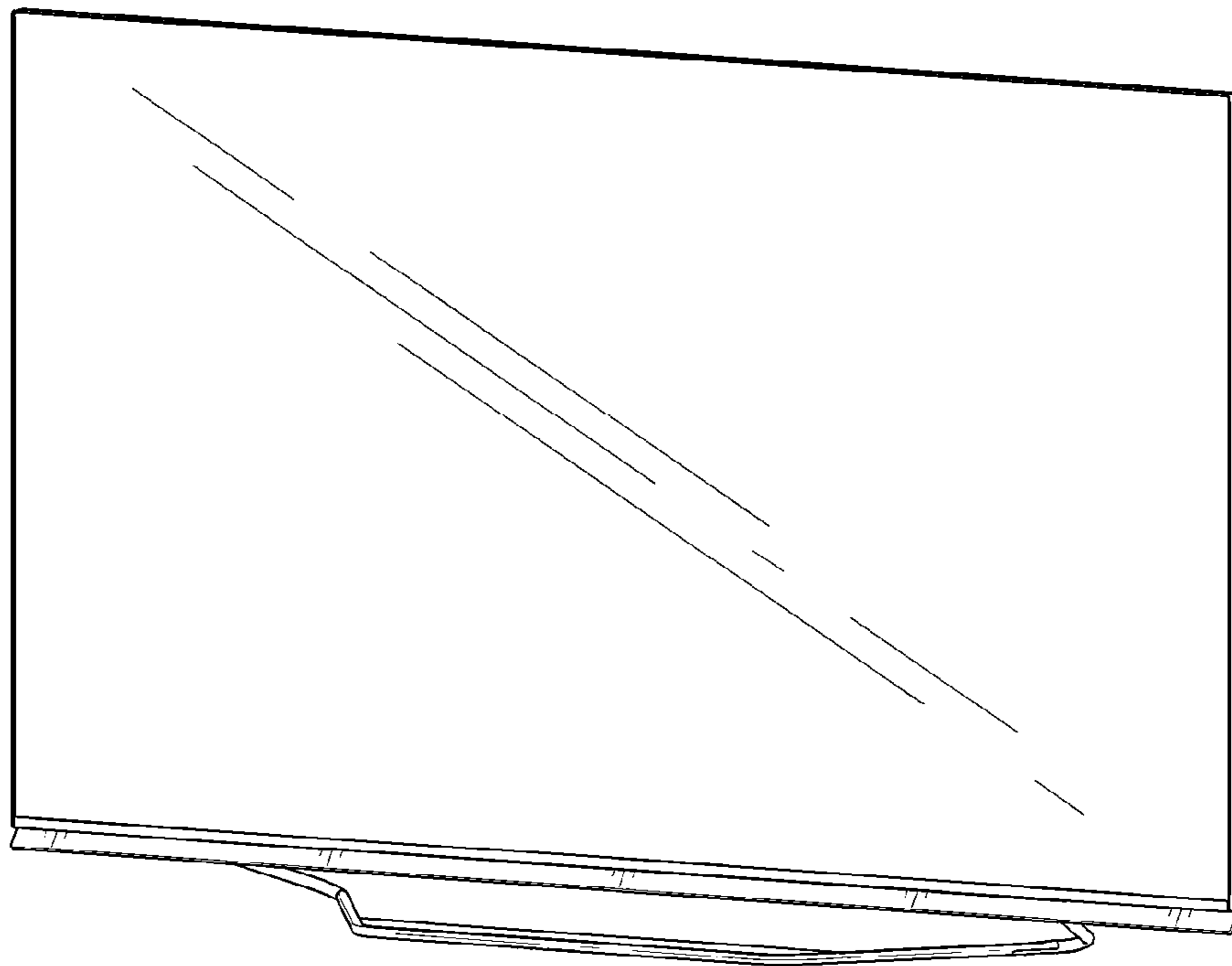


FIG. 2

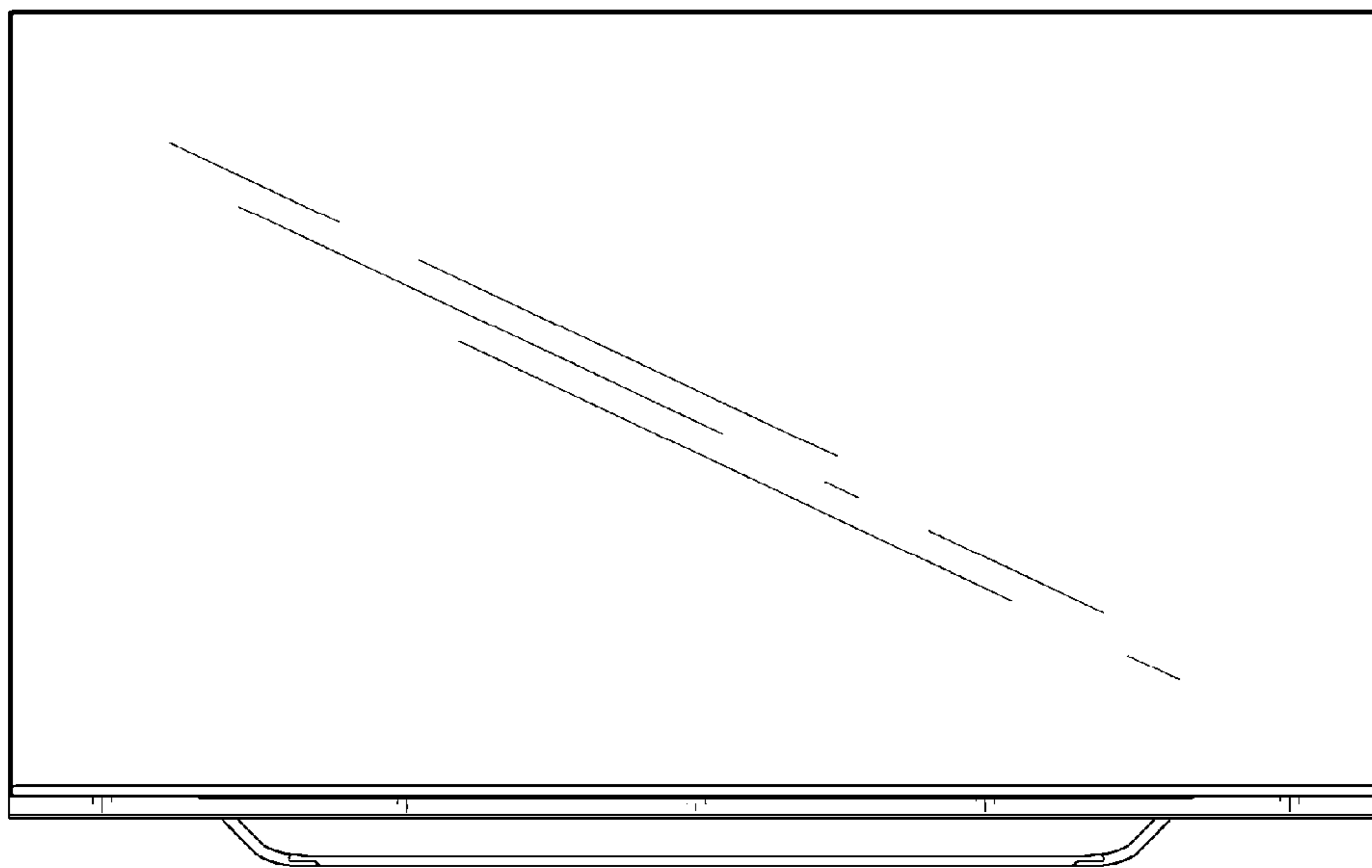


FIG. 3

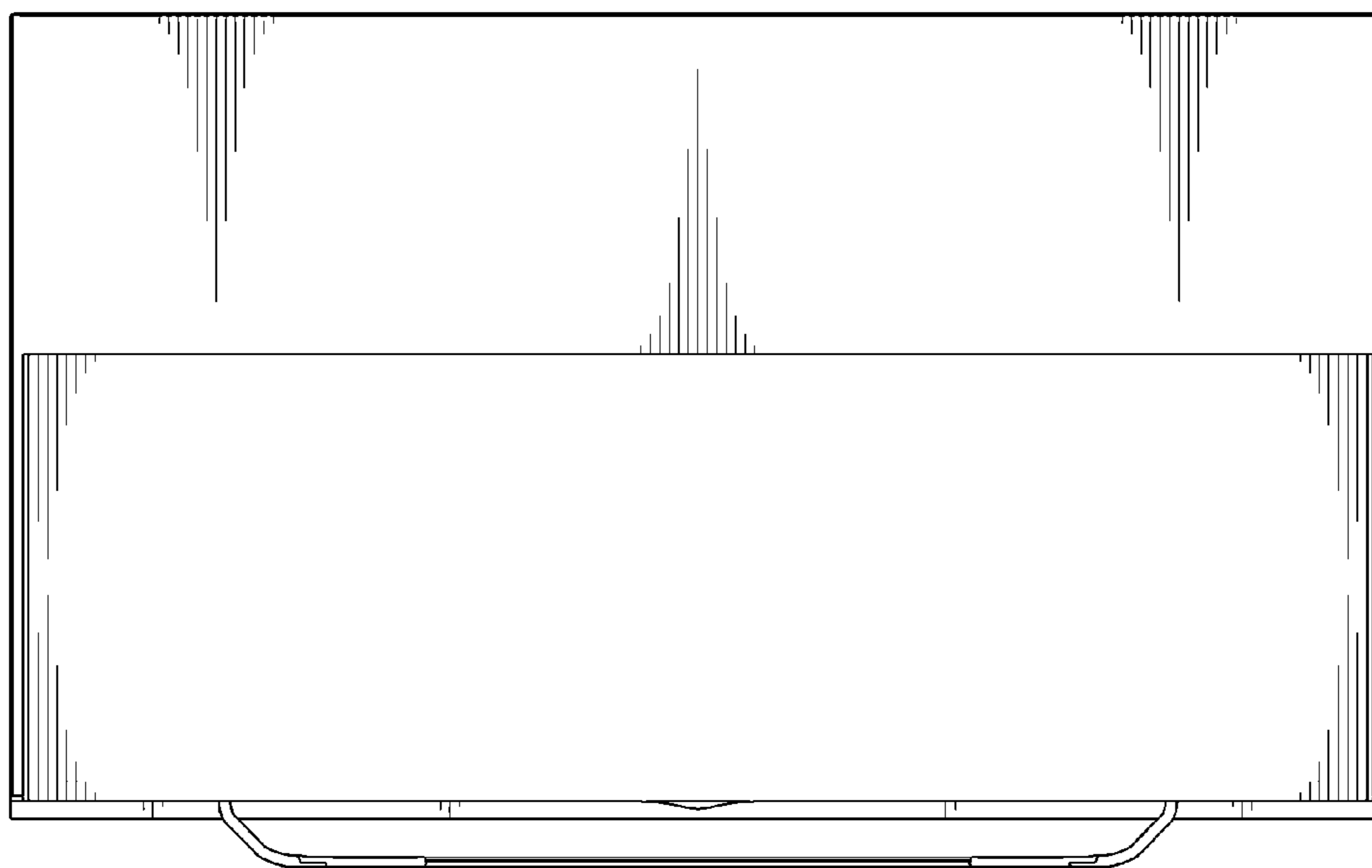


FIG. 4

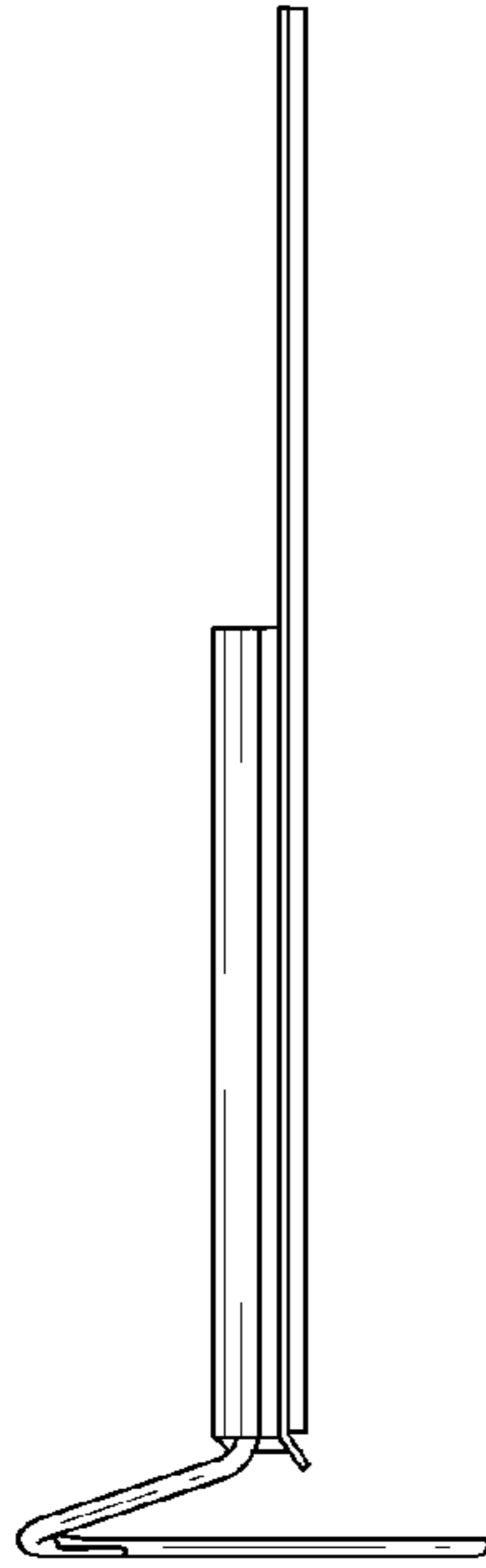


FIG. 5

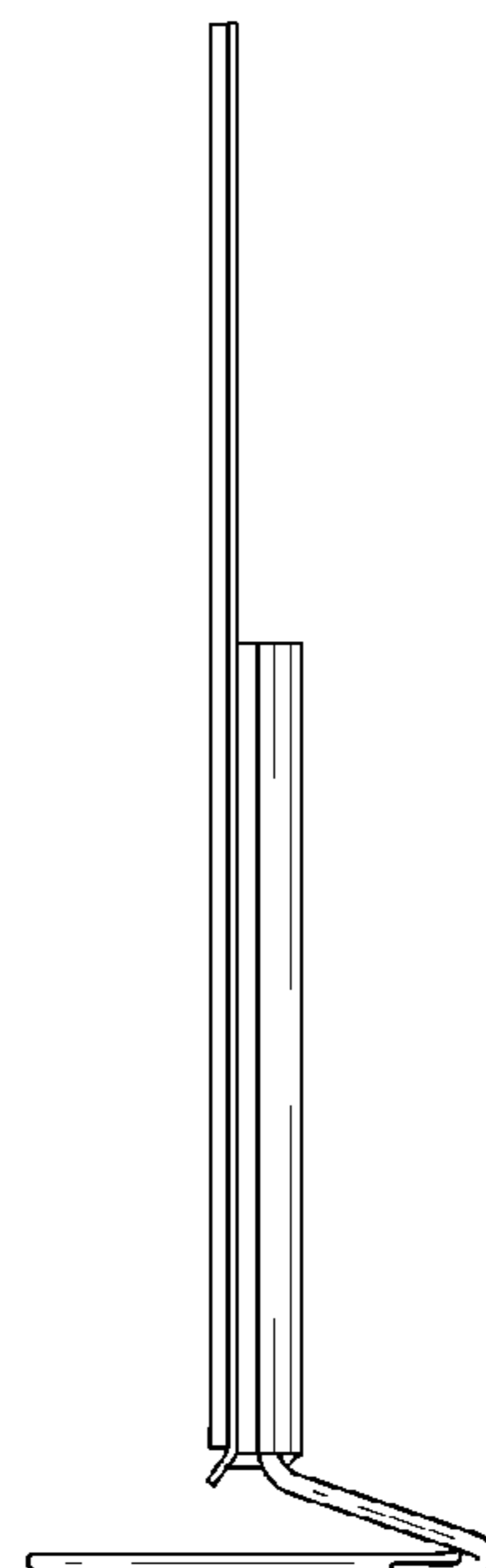


FIG. 6

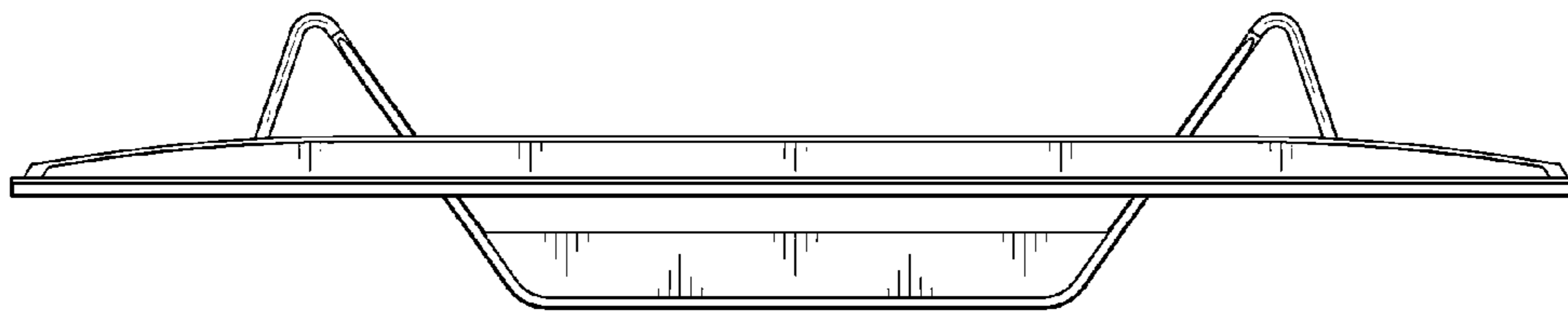


FIG. 7

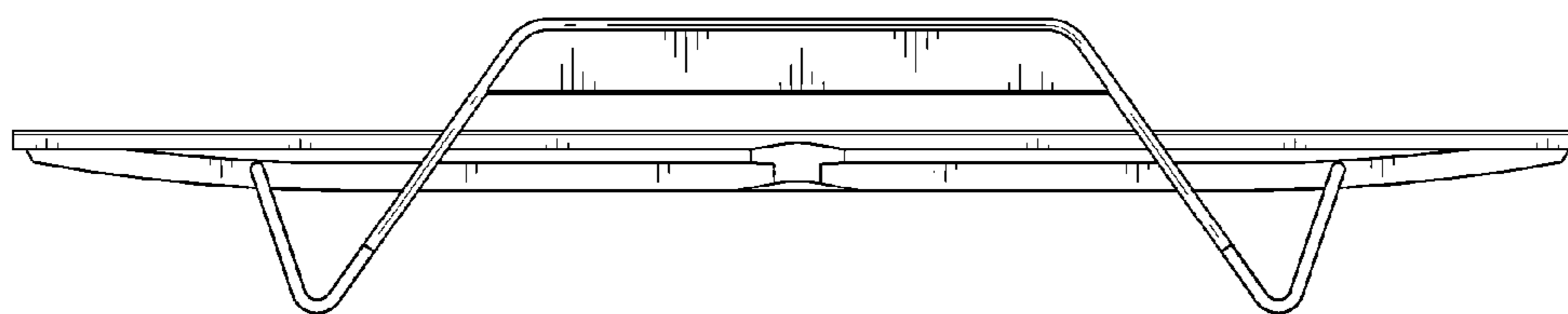


FIG. 8

