



US00D725620S

(12) **United States Design Patent**
Li et al.

(10) **Patent No.:** **US D725,620 S**
(45) **Date of Patent:** **** Mar. 31, 2015**

(54) **TV SET**

D21/333, 433, 448, 452, 450, 331, 505;
D10/15, 26; 446/484, 175, 356;
D6/477, 479, 300; D24/185; D34/14

(71) Applicants: **BOE Technology Group Co., Ltd.**,
Beijing (CN); **Beijing BOE Multimedia
Technology Co., Ltd.**, Beijing (CN)

See application file for complete search history.

(72) Inventors: **Xuezheng Li**, Beijing (CN); **Hu Zhu**,
Beijing (CN); **Ying Wang**, Beijing (CN);
Yuanfeng Zhang, Beijing (CN)

(56) **References Cited**

U.S. PATENT DOCUMENTS

(73) Assignees: **BOE Technology Group Co., Ltd.**,
Beijing (CN); **Beijing BOE Multimedia
Technology Co., Ltd.**, Beijing (CN)

D689,836 S *	9/2013	Park	D14/126
D702,659 S *	4/2014	Yoo et al.	D14/126
D703,626 S *	4/2014	Hermansen	D14/126
D709,470 S *	7/2014	Ryu et al.	D14/126
D716,244 S *	10/2014	Kim et al.	D14/126

(**) Term: **14 Years**

* cited by examiner

(21) Appl. No.: **29/506,734**

Primary Examiner — Raphael Barkai

(22) Filed: **Oct. 20, 2014**

(74) *Attorney, Agent, or Firm* — Nath, Goldberg & Meyer;
Joshua B. Goldberg; Jerald L. Meyer

(30) **Foreign Application Priority Data**

Apr. 30, 2014 (CN) 2014 3 0111793

(51) **LOC (10) Cl.** **14-03**

(52) **U.S. Cl.**
USPC **D14/126**

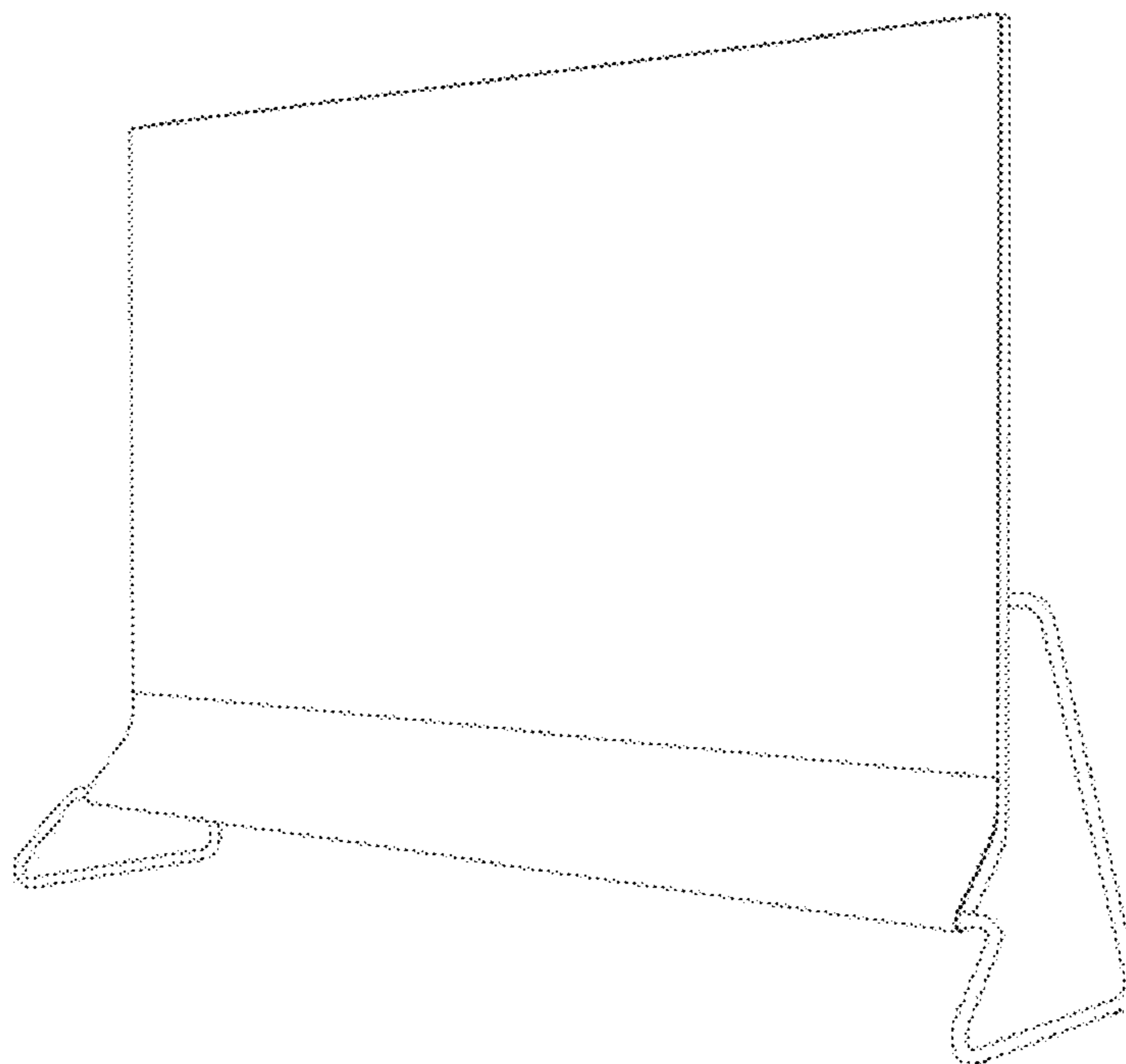
(58) **Field of Classification Search**
CPC ... G06F 1/1601; G06F 1/1643; H05K 5/0004;
H05K 5/0017; H05K 5/02; H05K 5/0217
USPC D14/125–134, 239, 371, 136, 374–377,
D14/440, 450, 448, 336, 342, 159; 312/7.2;
348/836, 838, 180, 184, 325, 739;
248/917–924, 465; 345/104, 133, 156,
345/168, 87, 173; D21/329, 515, 577, 622,

(57) **CLAIM**
The ornamental design for a TV set, as shown.

DESCRIPTION

FIG. 1 is a front view of a TV set showing my new design;
FIG. 2 is a rear view thereof;
FIG. 3 is a left view thereof;
FIG. 4 is a right view thereof;
FIG. 5 is a top view thereof;
FIG. 6 is a bottom view thereof; and,
FIG. 7 is a perspective view thereof.

1 Claim, 3 Drawing Sheets



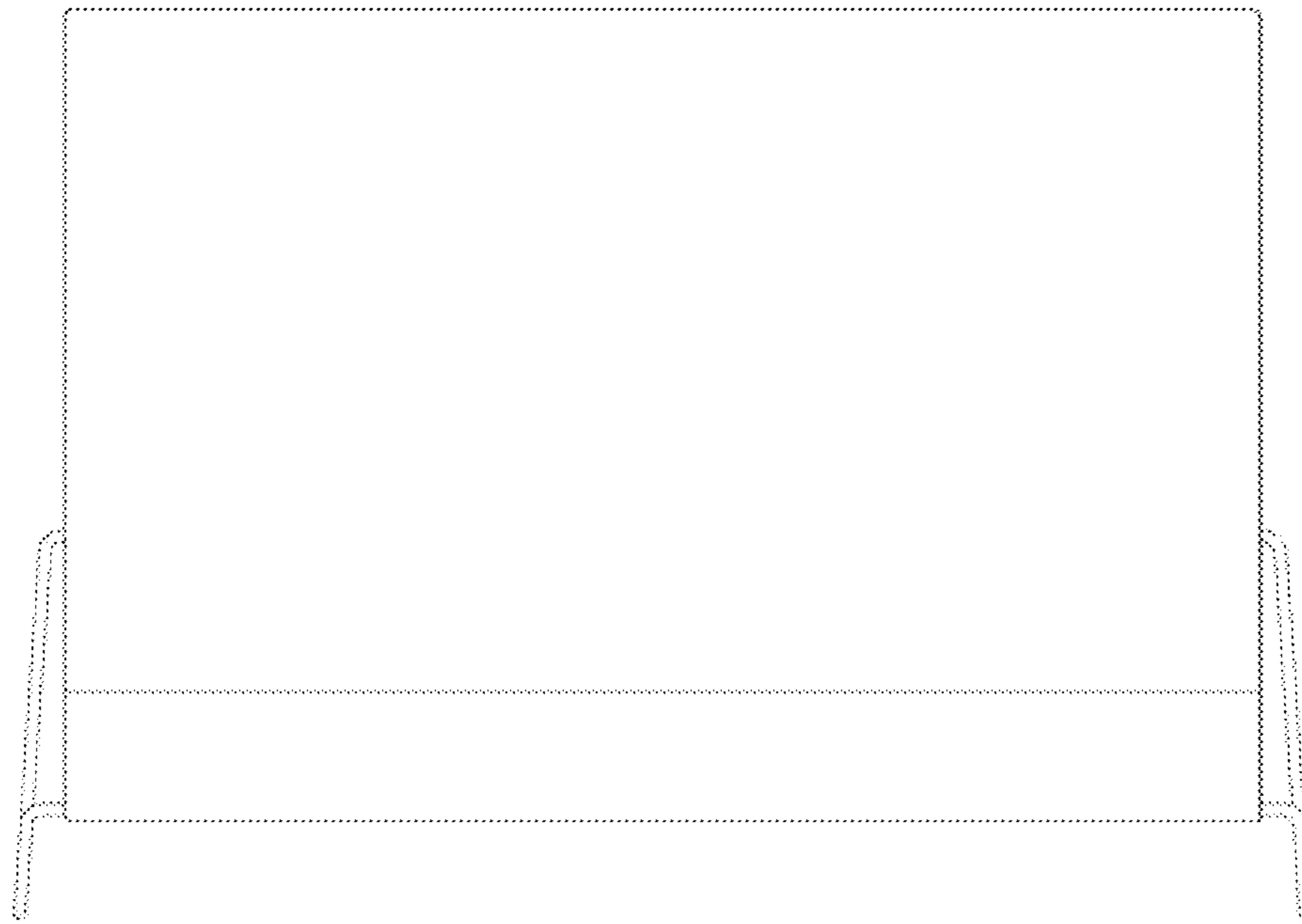


Fig.1

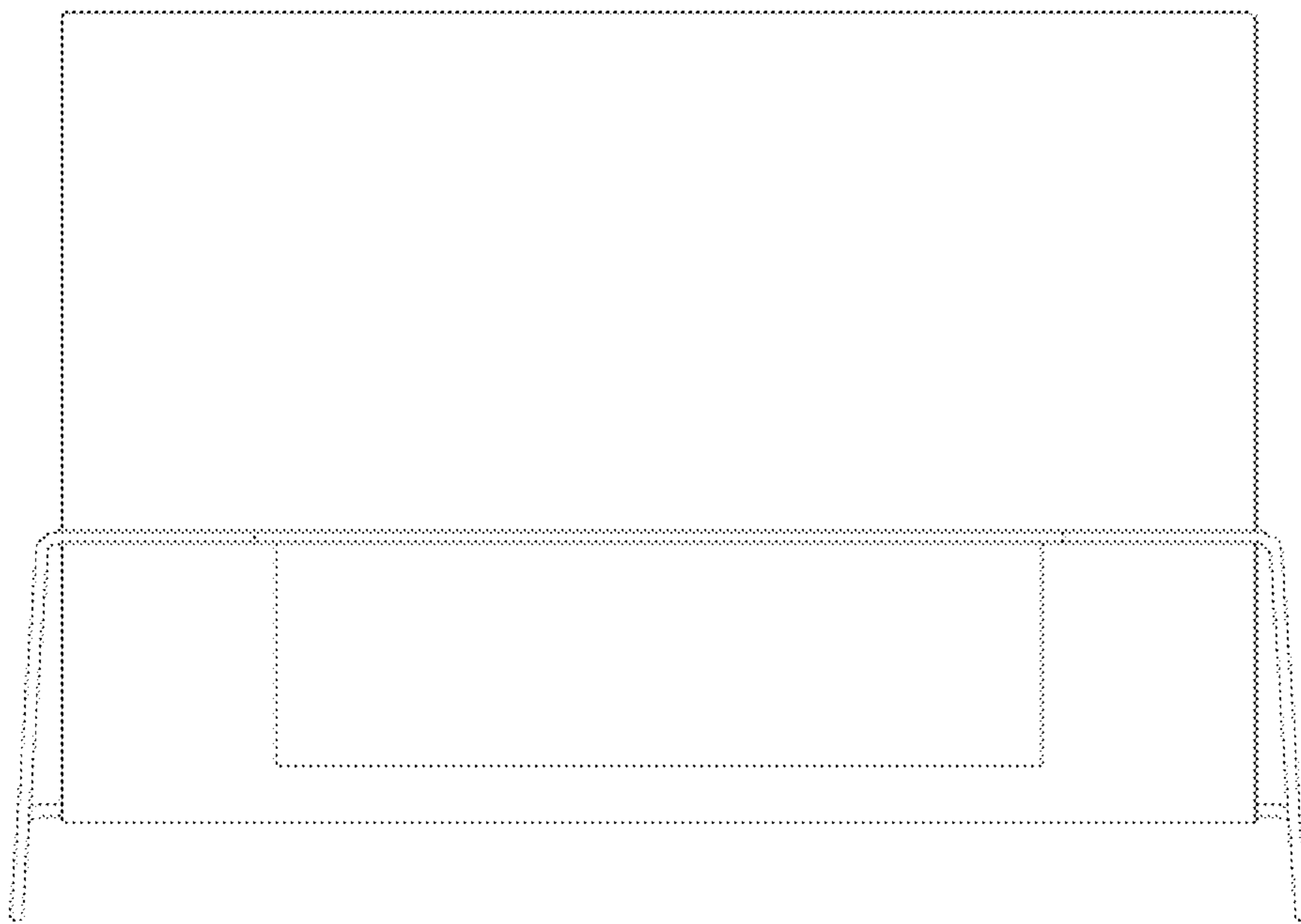


Fig.2

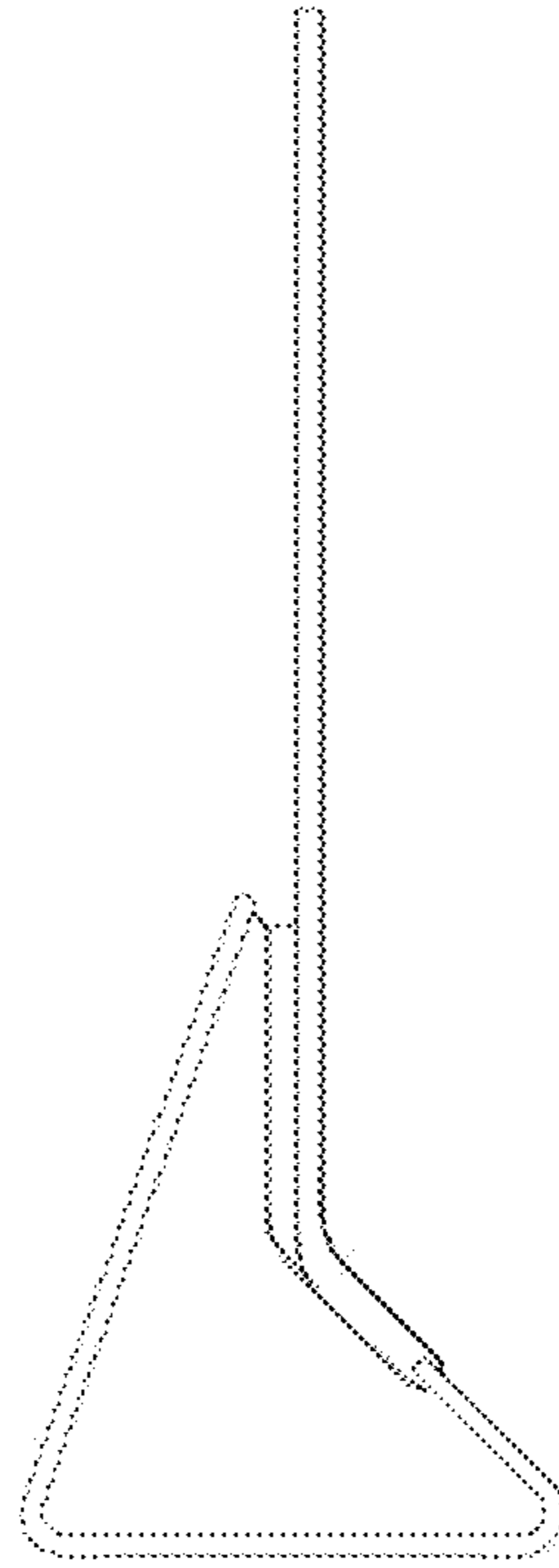


Fig.3

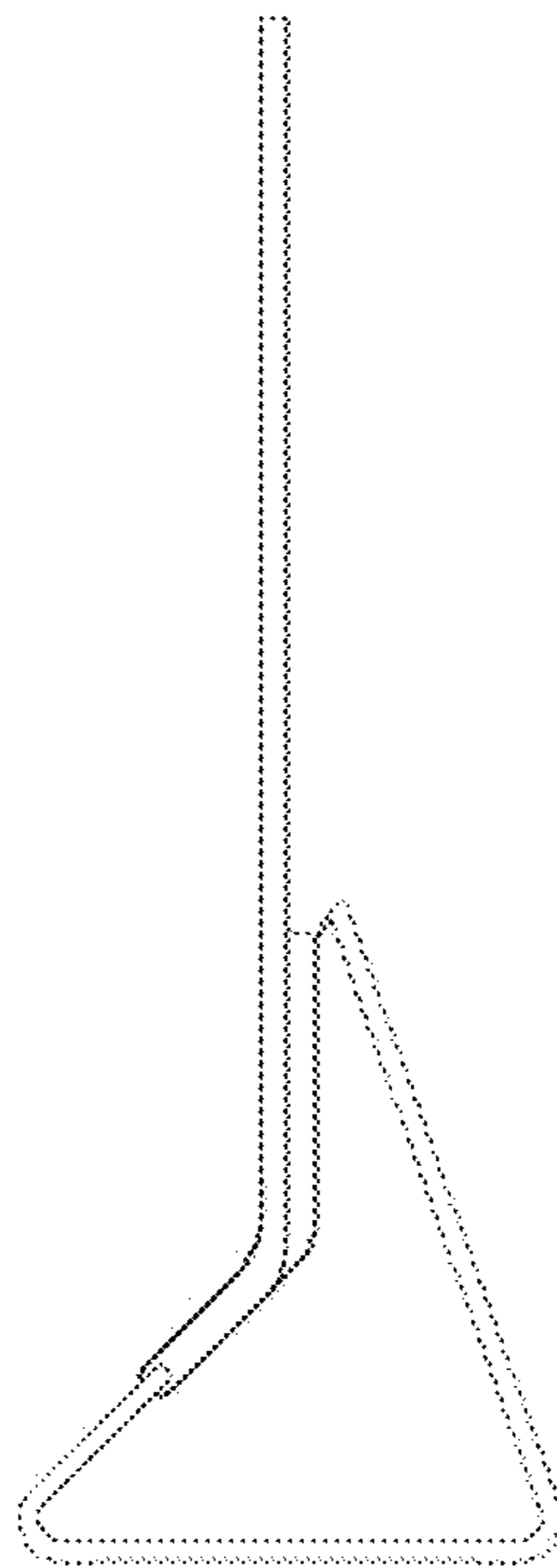


Fig.4

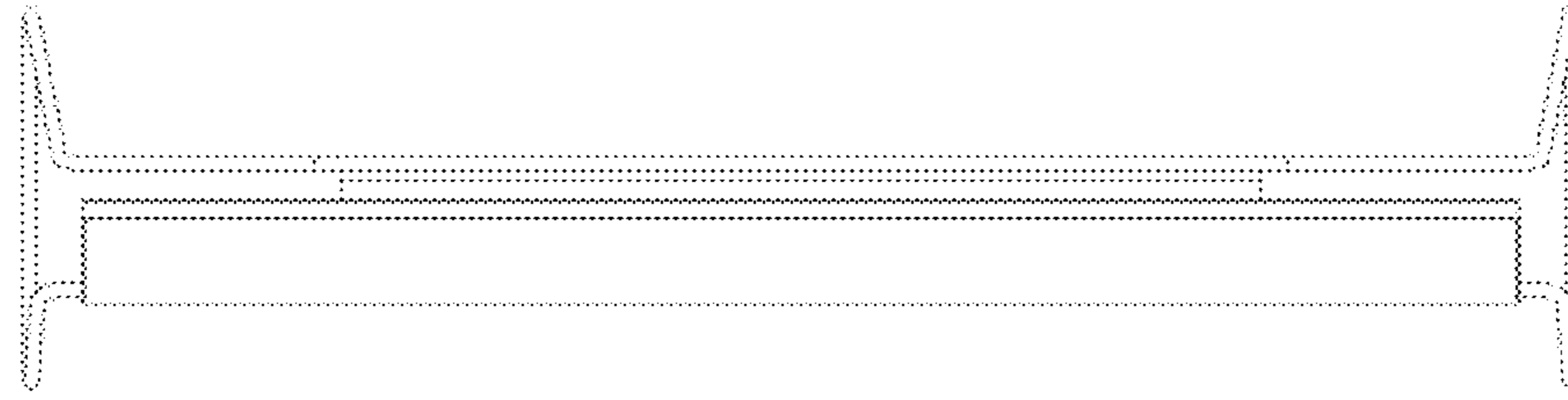


Fig.5

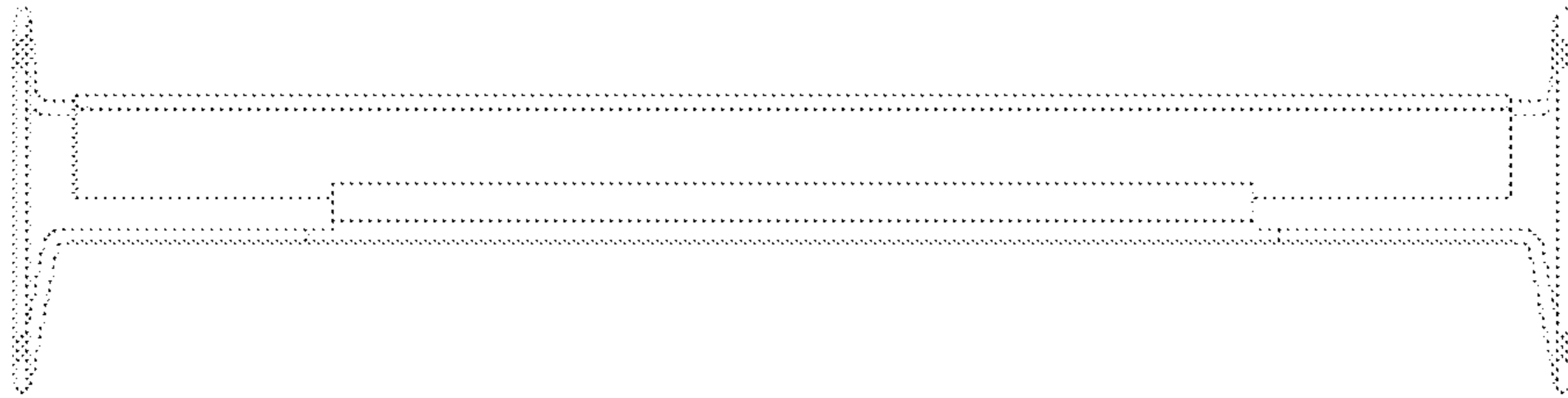


Fig.6

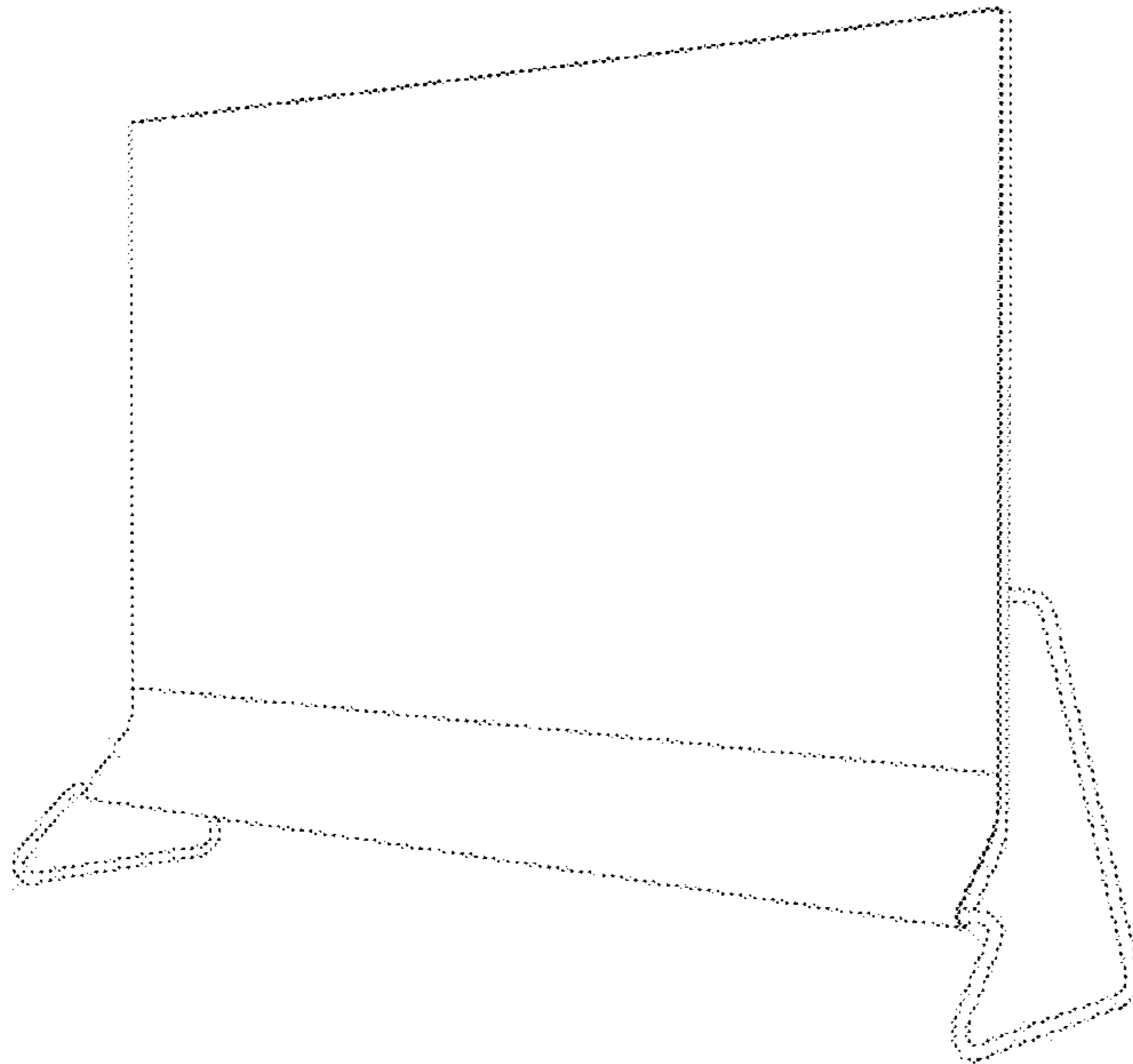


Fig.7