



US00D725616S

(12) **United States Design Patent**
Oh et al.

(10) **Patent No.:** **US D725,616 S**
(45) **Date of Patent:** **** Mar. 31, 2015**

(54) **LCD MONITOR**

(71) Applicant: **LG Electronics Inc.**, Seoul (KR)

(72) Inventors: **Sung Hoon Oh**, Seoul (KR); **Jae Neung Jung**, Seoul (KR); **Gang Ho Woo**, Seoul (KR)

(73) Assignee: **LG Electronics Inc.**, Seoul (KR)

(**) Term: **14 Years**

(21) Appl. No.: **29/493,711**

(22) Filed: **Jun. 12, 2014**

(30) **Foreign Application Priority Data**

Dec. 17, 2013 (KR) 30-2013-0063839

(51) **LOC (10) Cl.** **14-03**

(52) **U.S. Cl.**
USPC **D14/126**

(58) **Field of Classification Search**

CPC ... G06F 1/1601; G06F 1/1643; H05K 5/0017;
H05K 5/02; H05K 5/0217
USPC D14/125-134, 239, 371, 136, 374-377,
D14/440, 450, 448, 336, 342, 159; 312/7.2;
348/836, 838, 180, 184, 325, 739;
248/917-924, 465; 345/104, 133, 156,
345/168, 87, 173; D21/329, 515, 577, 622,
D21/333, 433, 448, 452, 450, 331, 505;
D10/15, 26; 446/484, 175, 356;
D6/477, 479, 300

See application file for complete search history.

(56) **References Cited**

U.S. PATENT DOCUMENTS

D554,599	S	*	11/2007	Otsuka et al.	D14/126
D680,508	S	*	4/2013	Kim et al.	D14/126
D682,799	S	*	5/2013	Hwang Bo et al.	D14/126
D689,033	S	*	9/2013	Hwangbo et al.	D14/126
D694,208	S	*	11/2013	Duys et al.	D14/126
D709,467	S	*	7/2014	Jiang et al.	D14/126
D709,468	S	*	7/2014	Seo et al.	D14/126
D711,333	S	*	8/2014	Kim	D14/126

* cited by examiner

Primary Examiner — Raphael Barkai

(74) *Attorney, Agent, or Firm* — Birch, Stewart, Kolasch & Birch, LLP

(57) **CLAIM**

We claim the ornamental design for a LCD monitor, as shown and described.

DESCRIPTION

FIG. 1 is a perspective view of a LCD monitor showing the new design;
FIG. 2 is a front elevation view thereof;
FIG. 3 is a rear elevation view thereof;
FIG. 4 is a left-side elevation view thereof;
FIG. 5 is a right-side elevation view thereof;
FIG. 6 is a top plan view thereof;
FIG. 7 is a bottom plan view thereof; and,
FIG. 8 is a rear perspective view thereof.

1 Claim, 5 Drawing Sheets

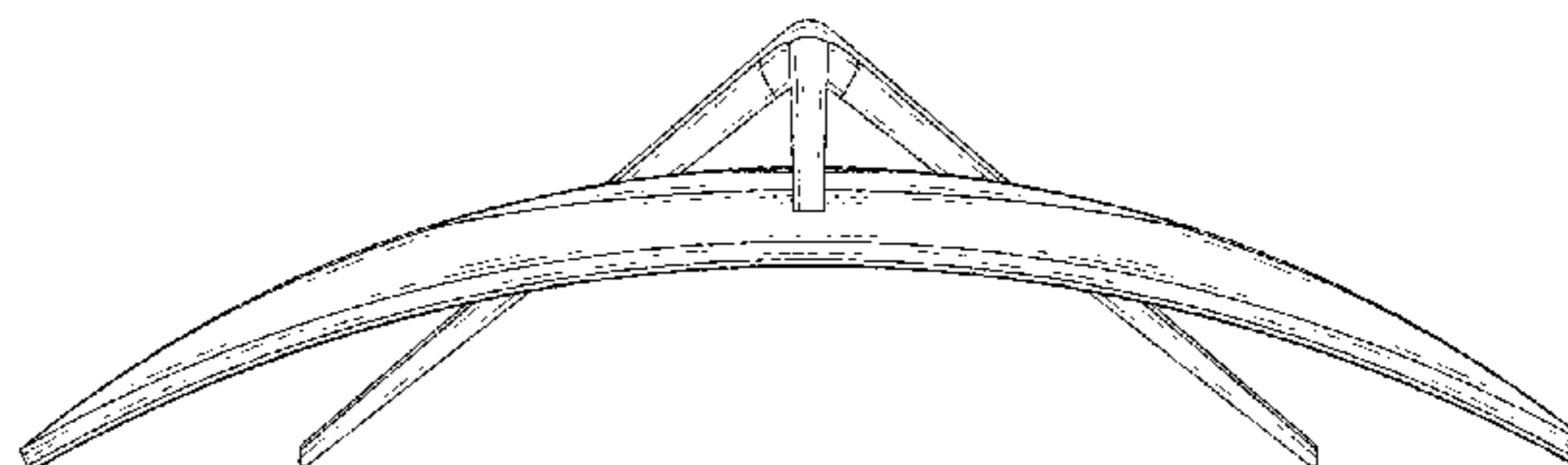
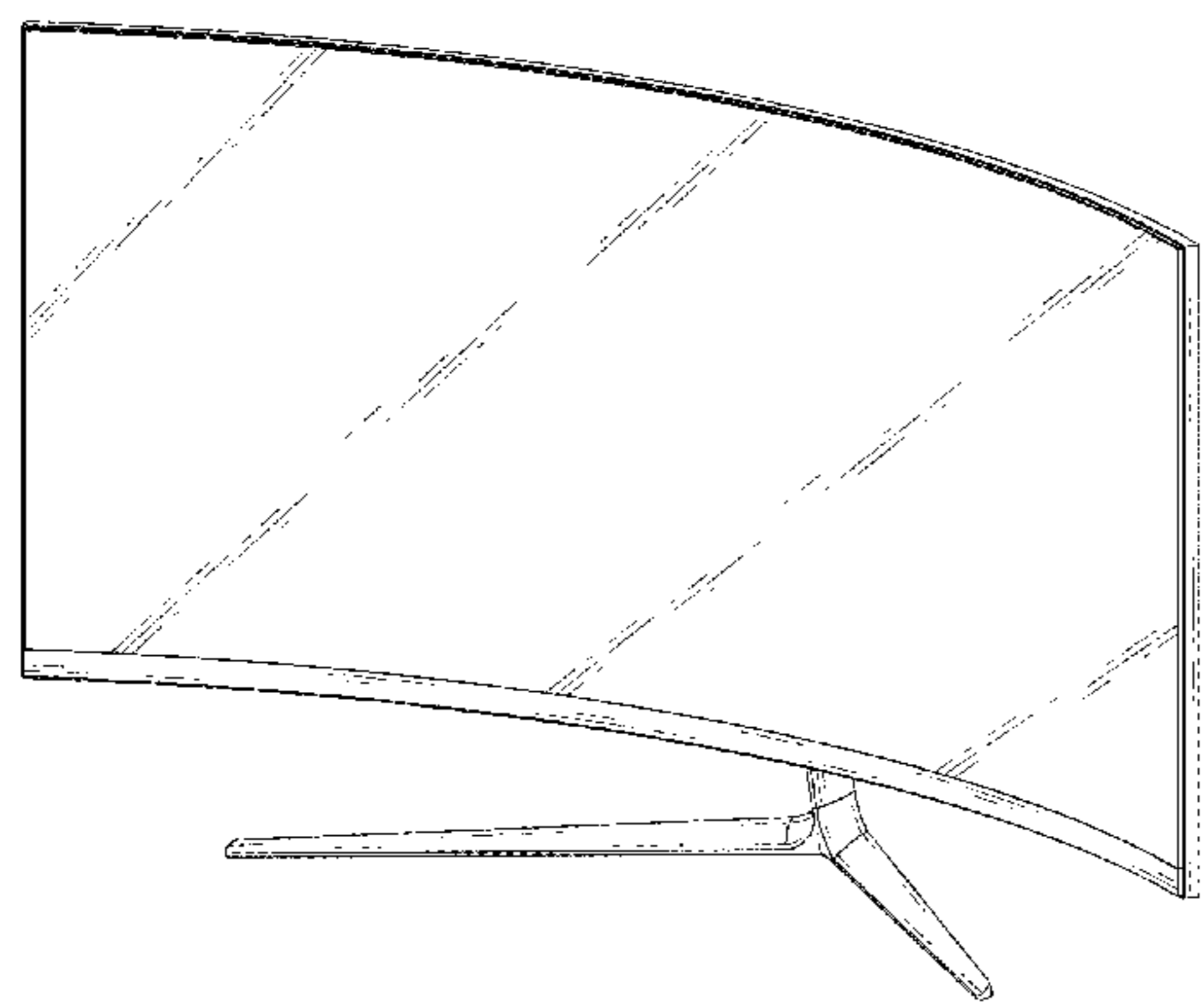


FIG. 1

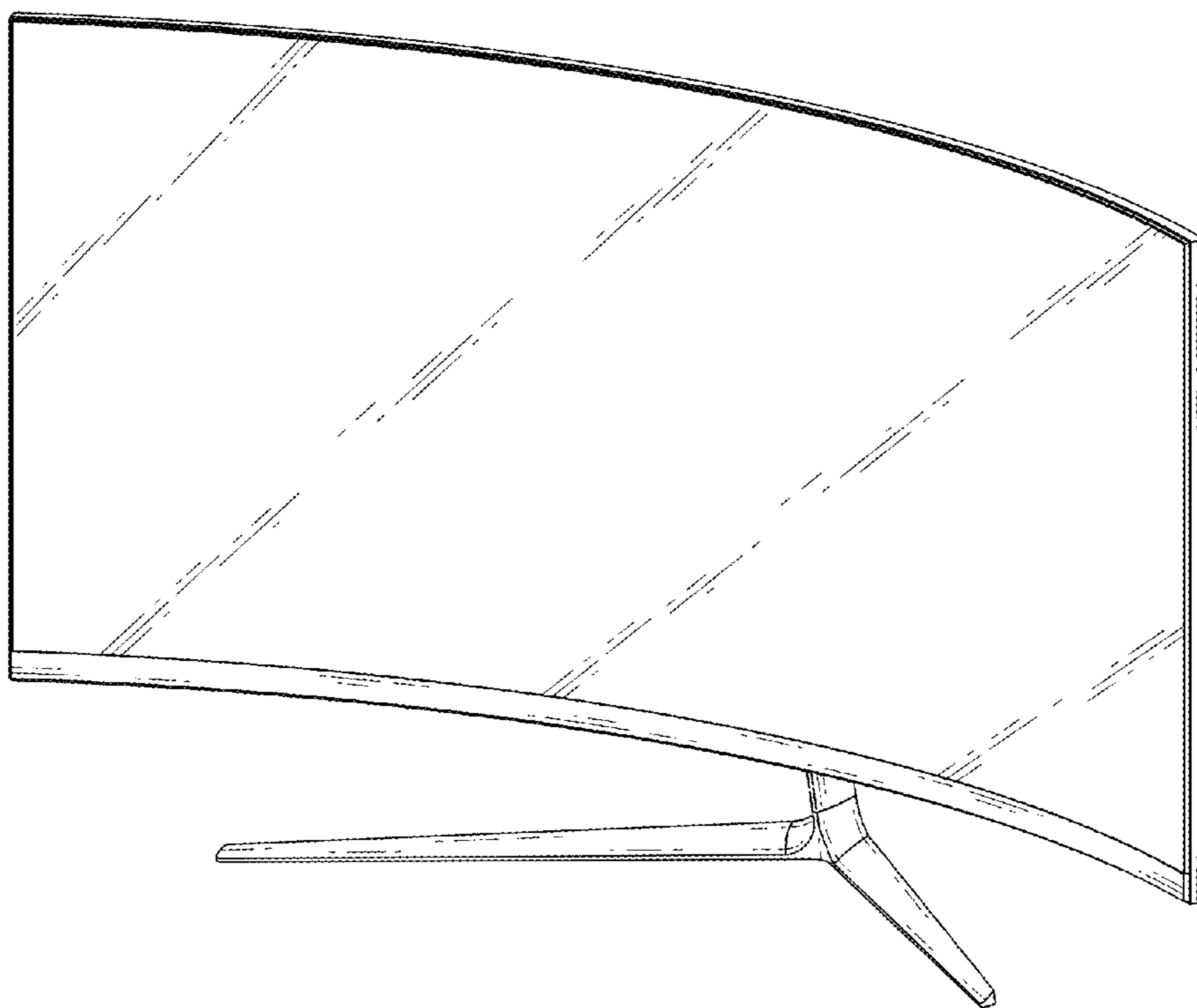


FIG.2

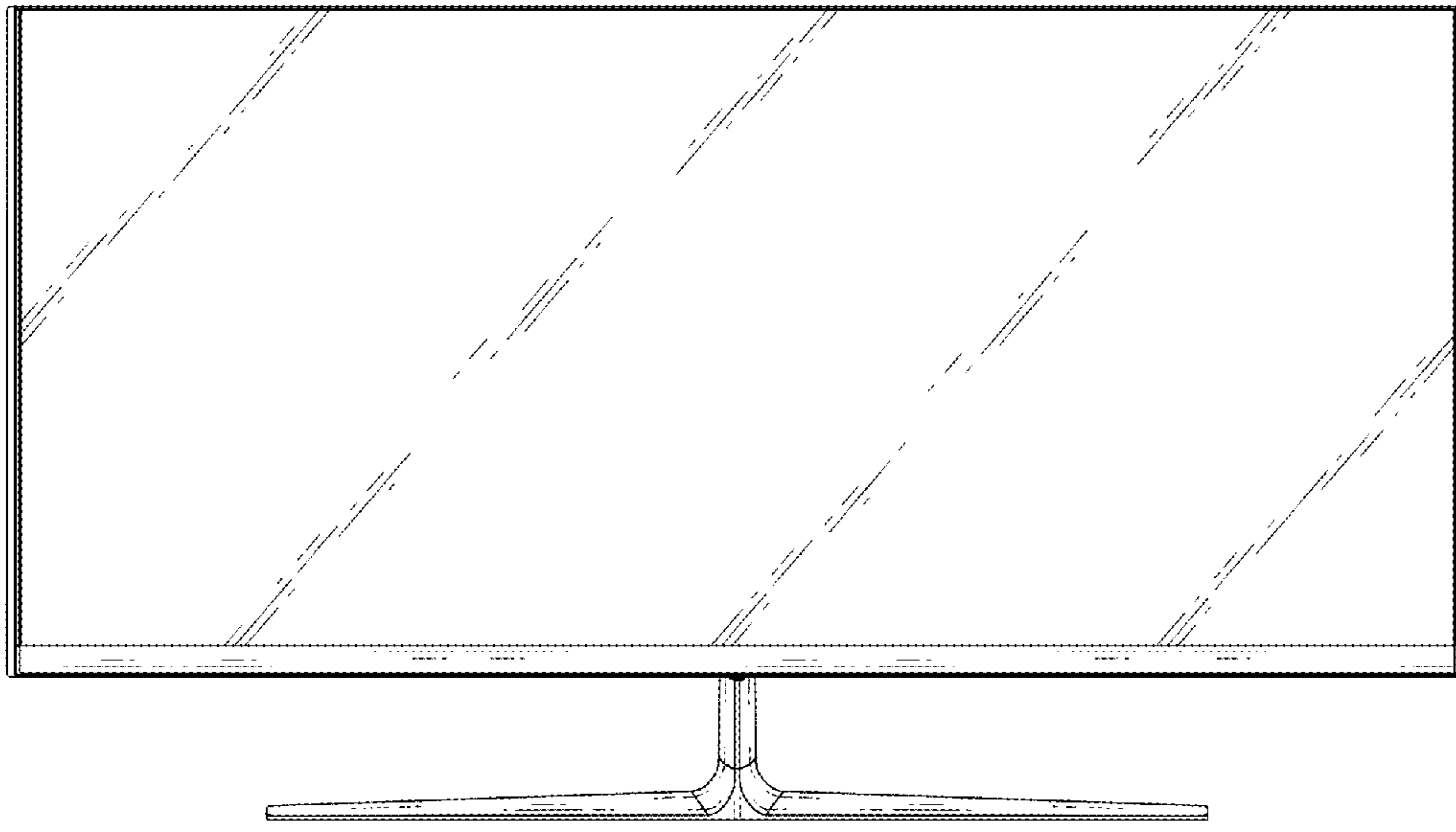


FIG.3

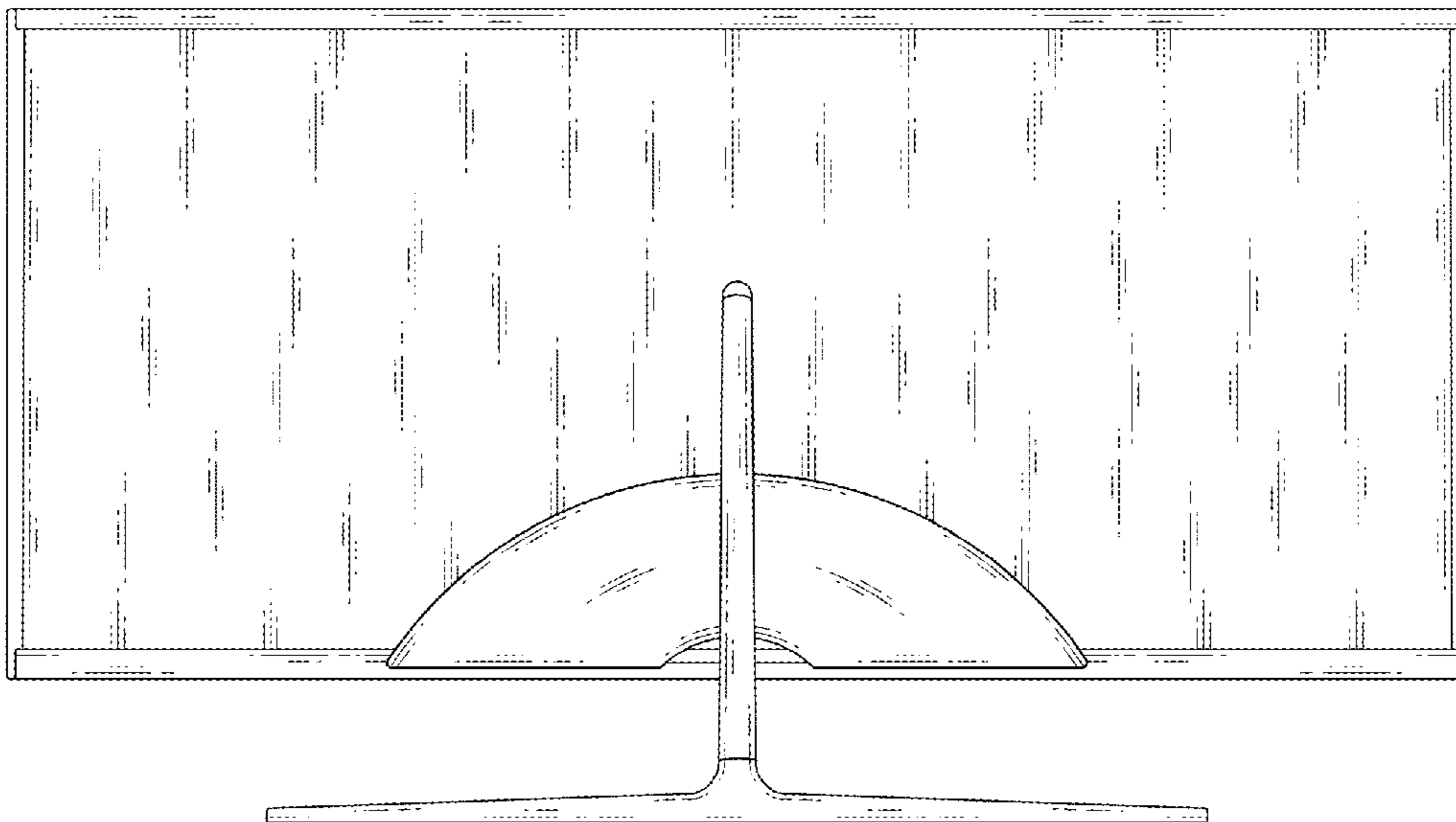


FIG. 4

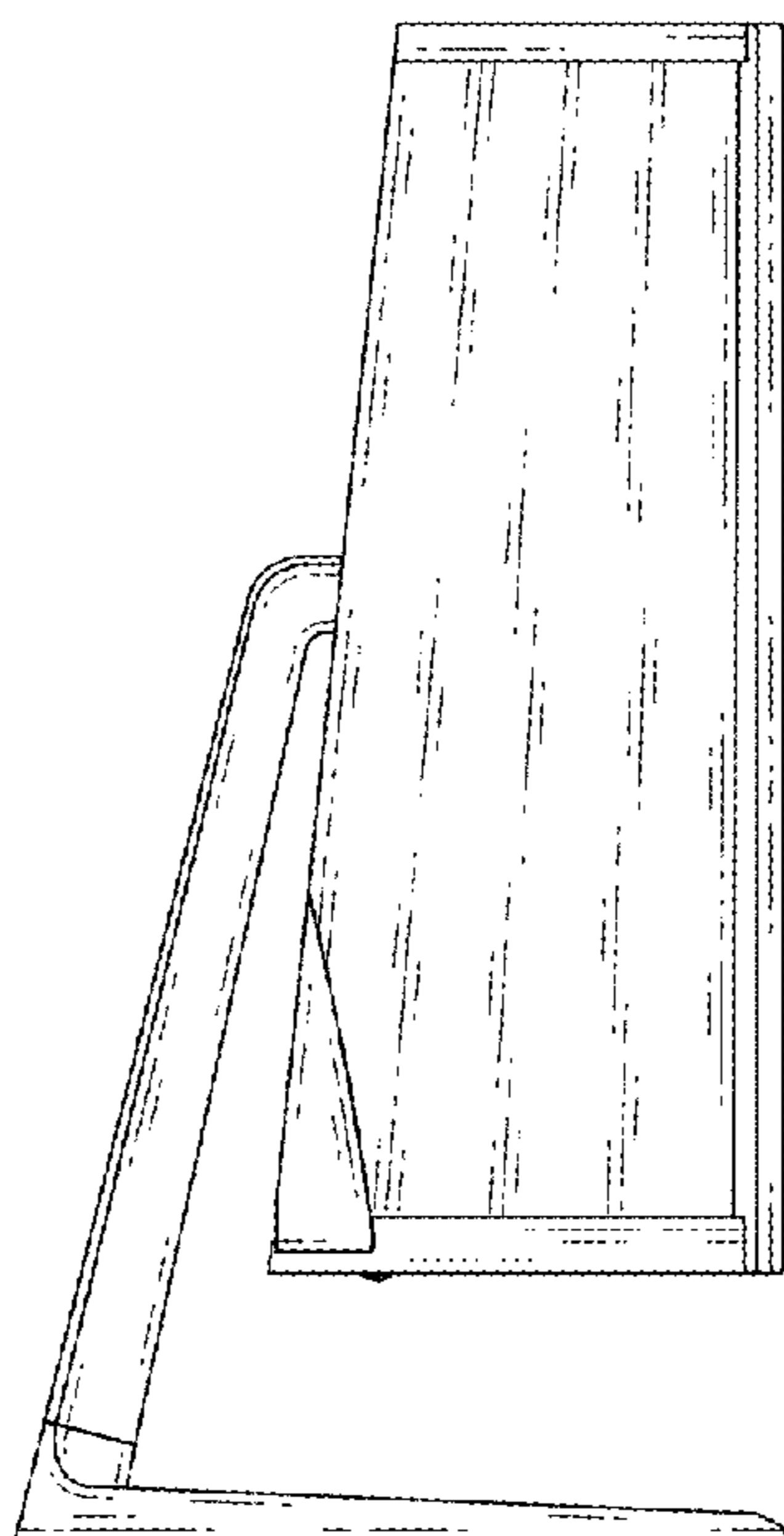


FIG. 5

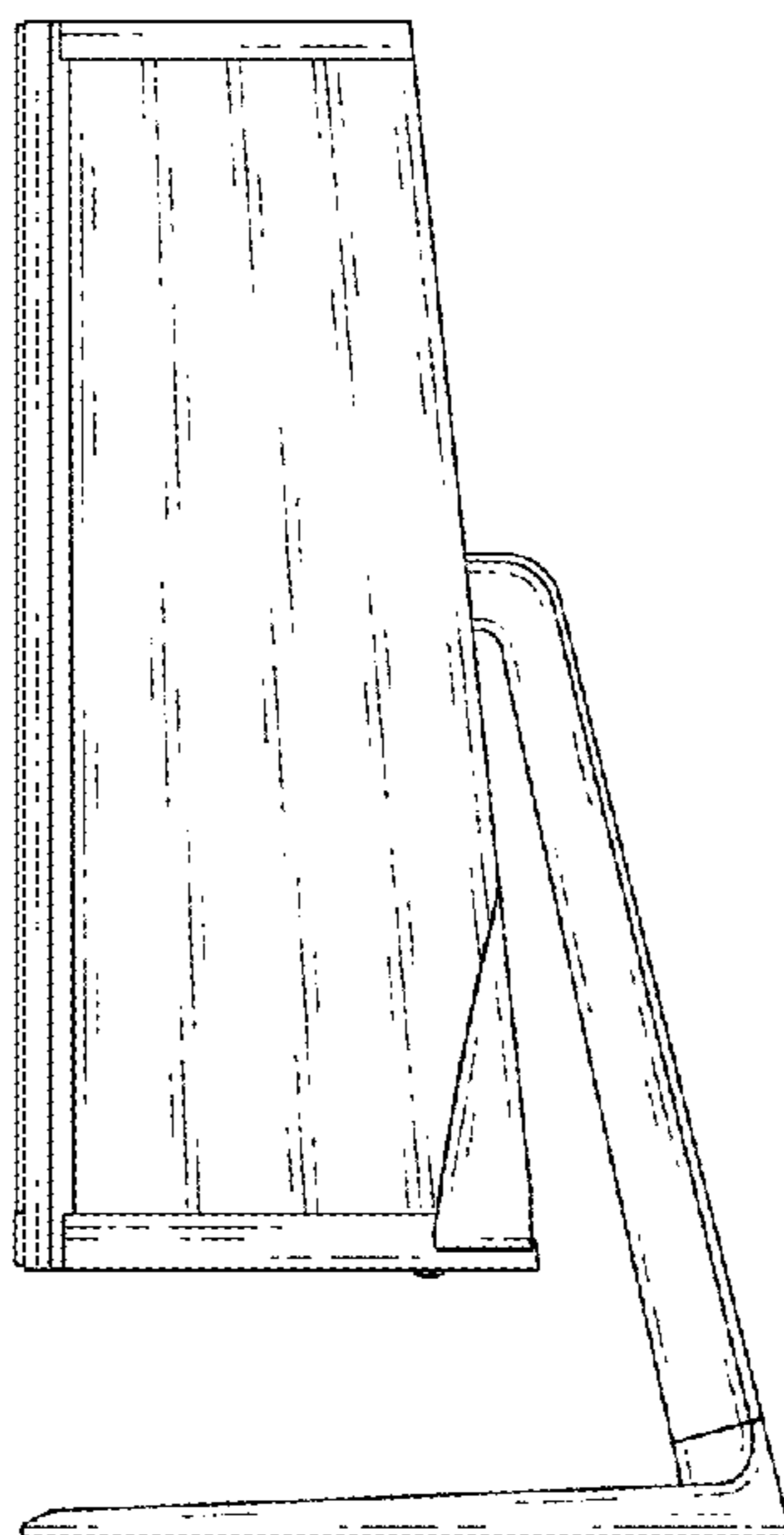


FIG.6

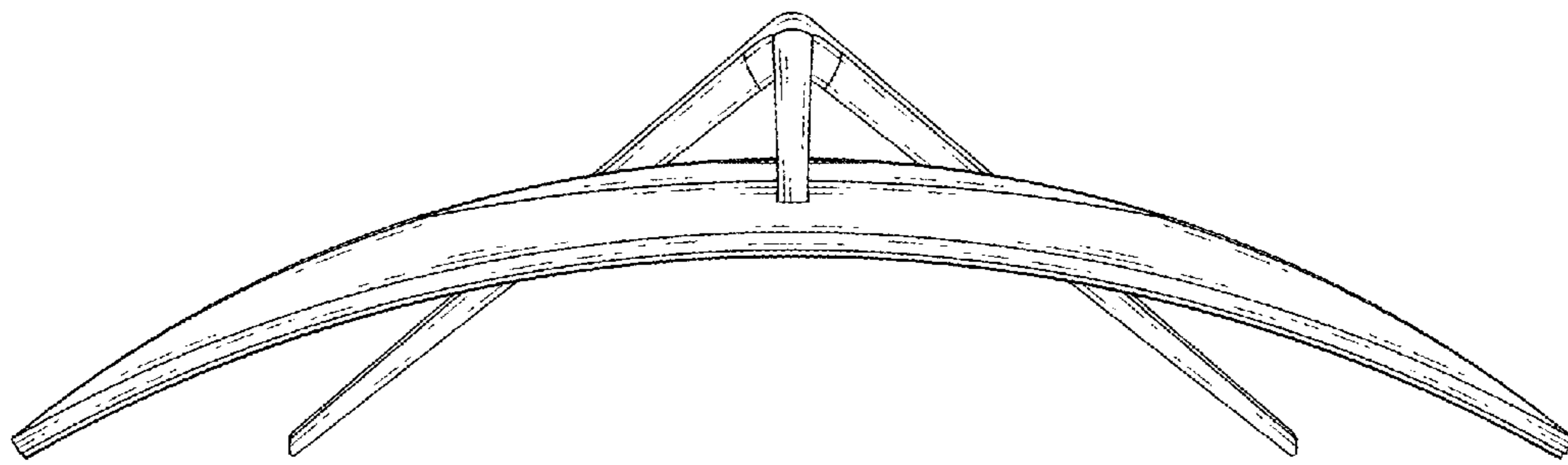


FIG.7

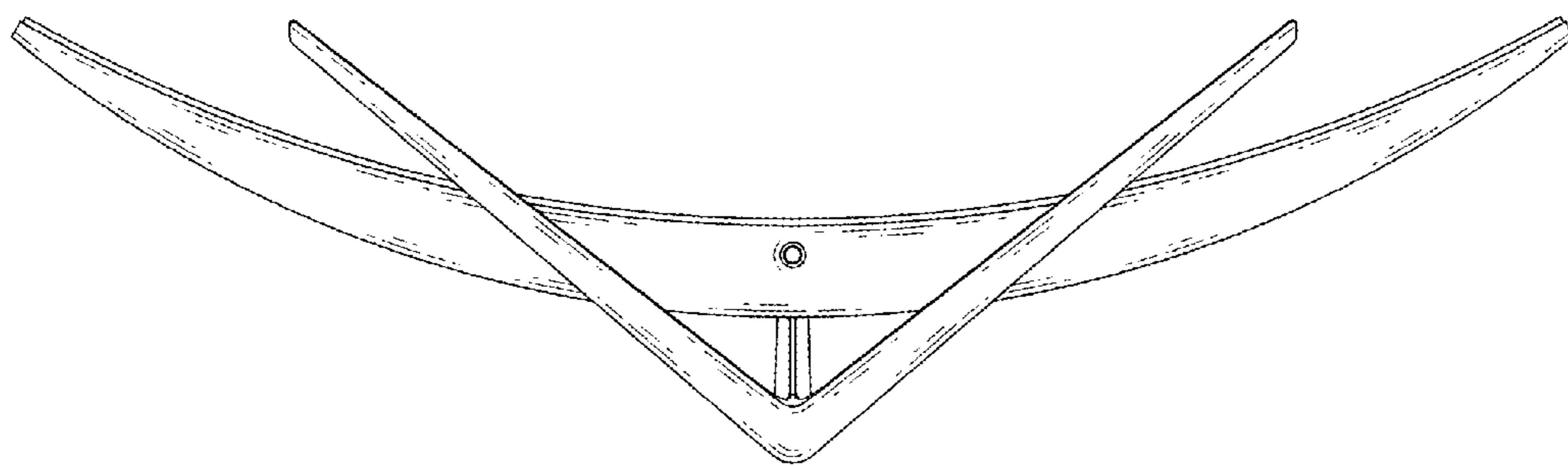


FIG. 8

