

US00D725615S

(12) **United States Design Patent**
Go et al.

(10) **Patent No.:** **US D725,615 S**

(45) **Date of Patent:** **** Mar. 31, 2015**

(54) **TELEVISION RECEIVER WITH COMPUTER MAIN BODY**

(75) Inventors: **Jaesung Go**, Gyeonggi-do (KR);
Yeonjin Kim, Seoul (KR)

(73) Assignee: **LG Electronics Inc.**, Seoul (KR)

(**) Term: **14 Years**

(21) Appl. No.: **29/426,967**

(22) Filed: **Jul. 12, 2012**

(30) **Foreign Application Priority Data**

Jan. 13, 2012 (KR) 30-2012-0001956

(51) **LOC (10) Cl.** **14-03**

(52) **U.S. Cl.**
USPC **D14/126**

(58) **Field of Classification Search**

CPC H04N 21/42224; H04N 2005/443;
H04N 21/4122; H04N 21/41407; H04N
21/4222; H04N 21/43615; H04N 21/43635;
H04N 5/4403; H04N 5/64; H04N 5/655;
H04N 5/645; H04N 7/00
USPC D14/126, 127, 128, 129, 239, 371, 136,
D14/341, 375; 312/7.2; 348/836, 838, 180,
348/184, 325, 739; 341/12; 248/917-924,
248/465; 345/104, 133, 156, 168, 87, 173;
720/605, 600, 655; 455/347;
273/148 B; D27/126; D10/15, 26

See application file for complete search history.

(56) **References Cited**

U.S. PATENT DOCUMENTS

D547,276 S *	7/2007	Yang et al.	D14/126
D587,712 S *	3/2009	Park et al.	D14/375
D648,294 S *	11/2011	Kim et al.	D14/126
D650,780 S *	12/2011	Rashid et al.	D14/341
D652,418 S *	1/2012	Rashid et al.	D14/341
D657,325 S *	4/2012	Park et al.	D14/126
D657,791 S *	4/2012	Kim et al.	D14/374
D682,797 S *	5/2013	Lee et al.	D14/126
D684,945 S *	6/2013	Kang et al.	D14/126
D684,969 S *	6/2013	Smith et al.	D14/341
D685,787 S *	7/2013	Seoc et al.	D14/367
D692,422 S *	10/2013	Chung	D14/341

* cited by examiner

Primary Examiner — Robert M Spear

Assistant Examiner — Eliza Bennett-Hattan

(74) *Attorney, Agent, or Firm* — Birch, Stewart, Kolasch & Birch, LLP

(57) **CLAIM**

The ornamental design for a television receiver with computer main body, as shown and described.

DESCRIPTION

FIG. 1 is a perspective view of a television receiver with computer main body showing our new design;
FIG. 2 is a front view thereof;
FIG. 3 is a rear view thereof;
FIG. 4 is a left side view thereof;
FIG. 5 is a right side view thereof;
FIG. 6 is a top plan view thereof;
FIG. 7 is a bottom plan view thereof; and,
FIG. 8 is a perspective view thereof showing the state in which the stand part has been detached and then the television receiver may be installed on a wall.
The broken lines depict environmental subject matter only and form no part of the claimed design.

1 Claim, 7 Drawing Sheets

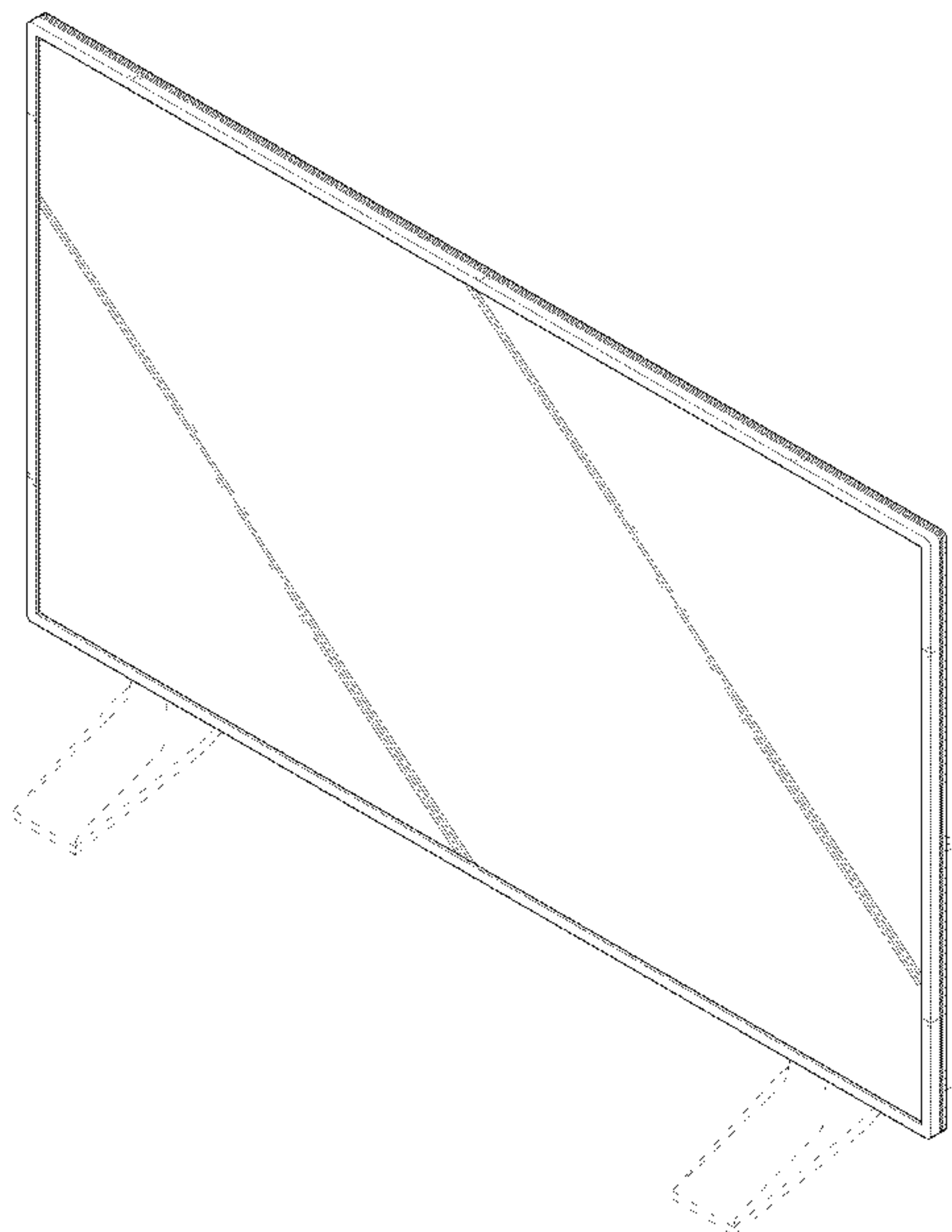


FIG. 1

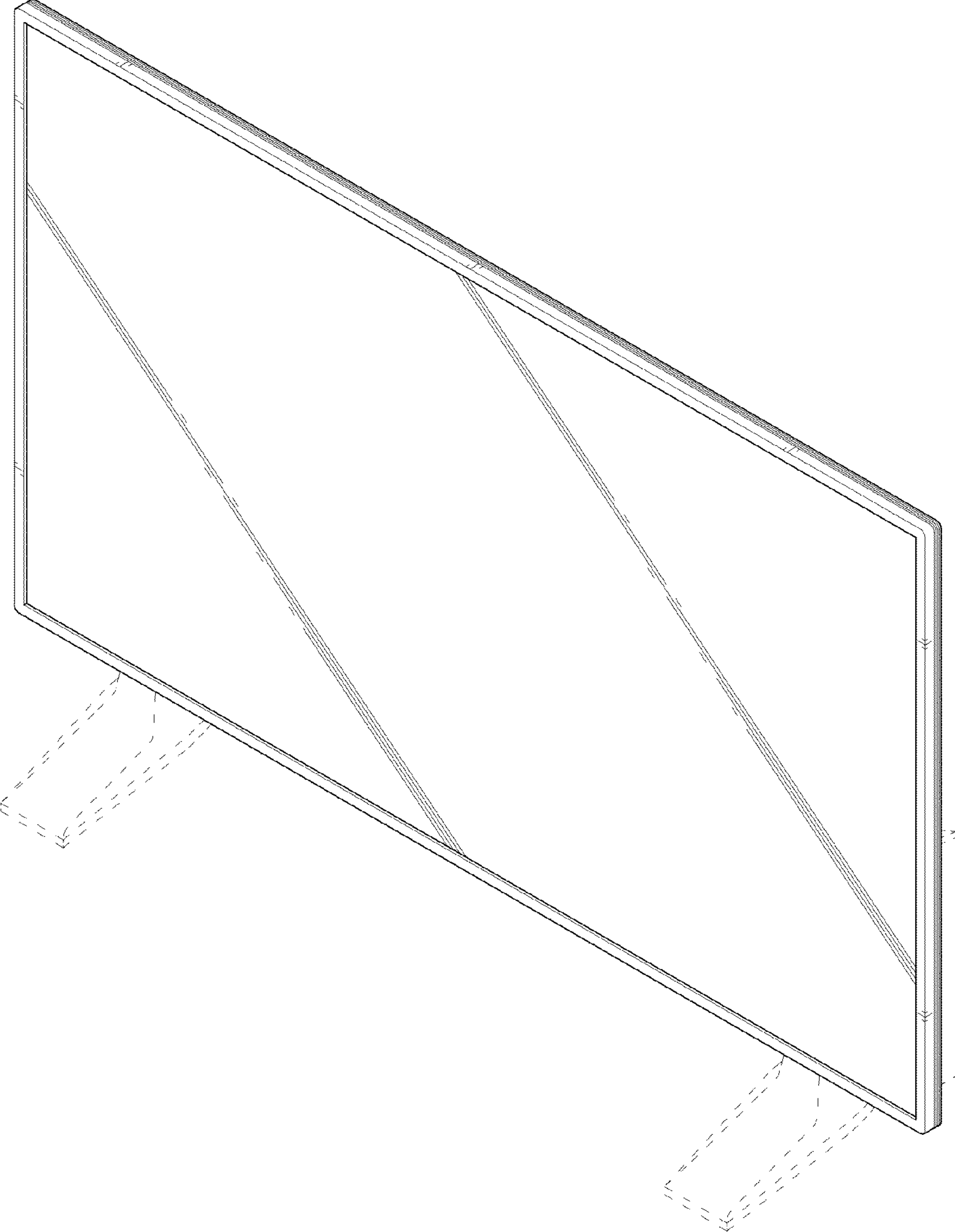


FIG. 2

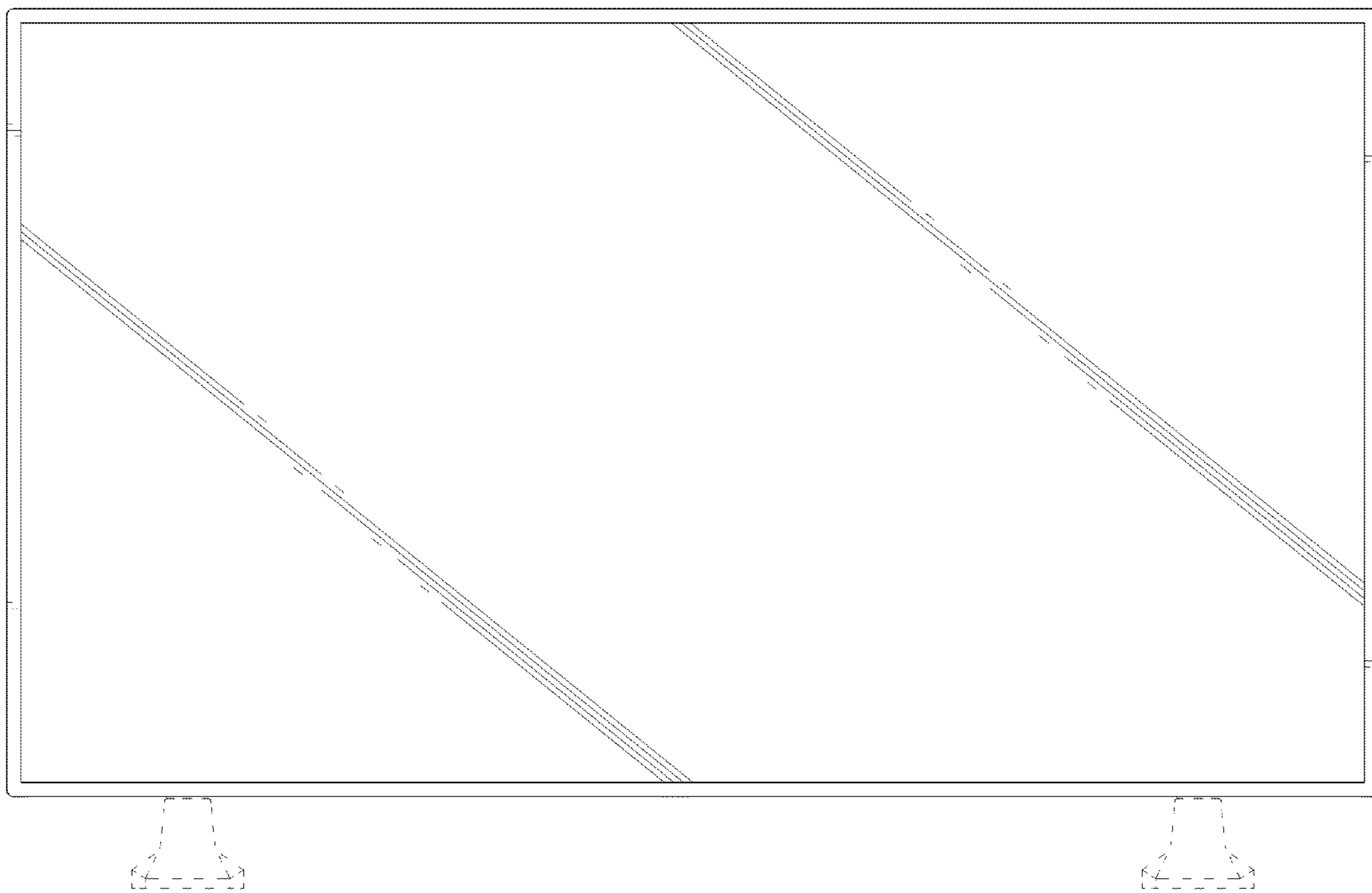


FIG. 3

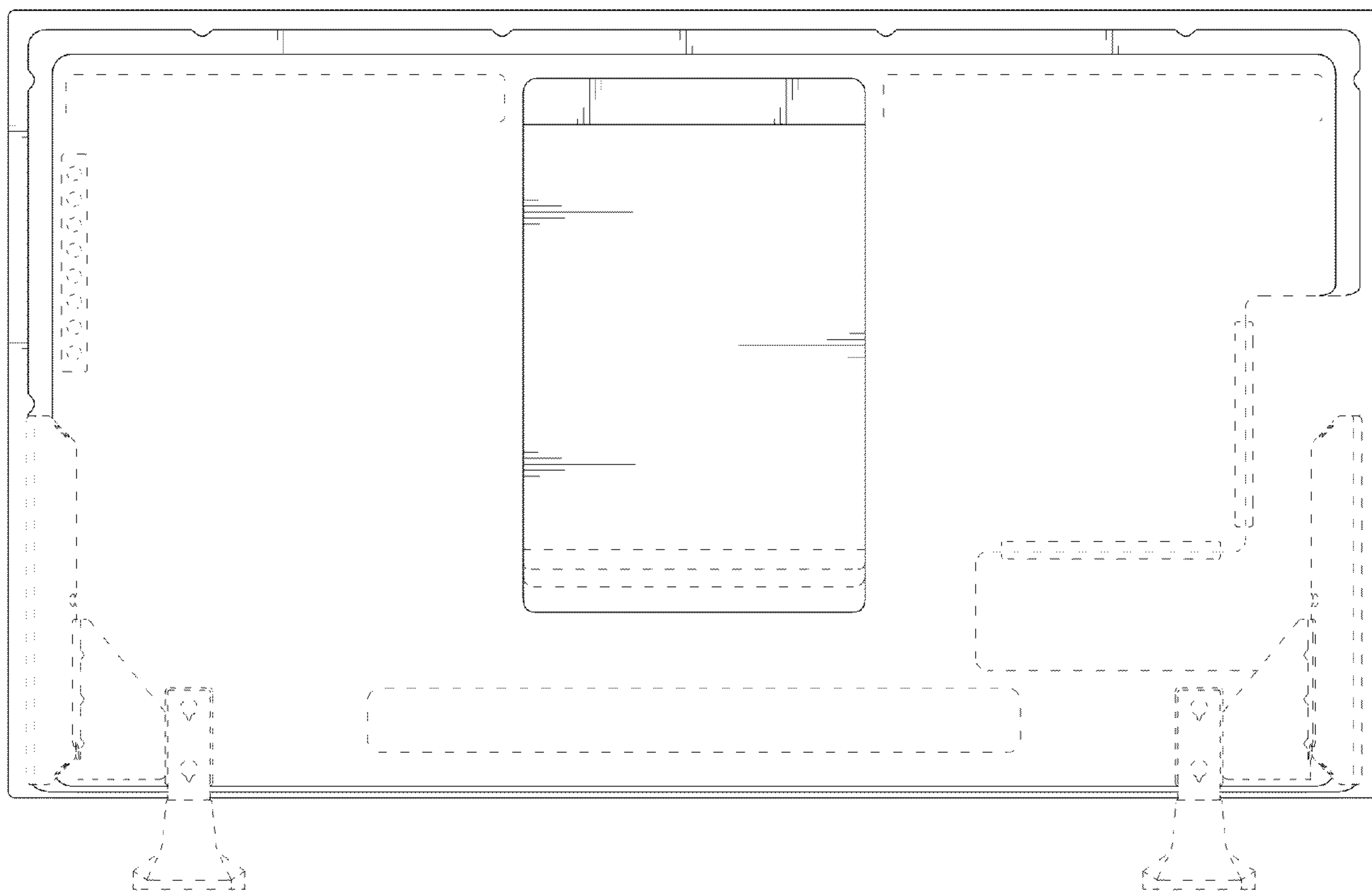


FIG. 4

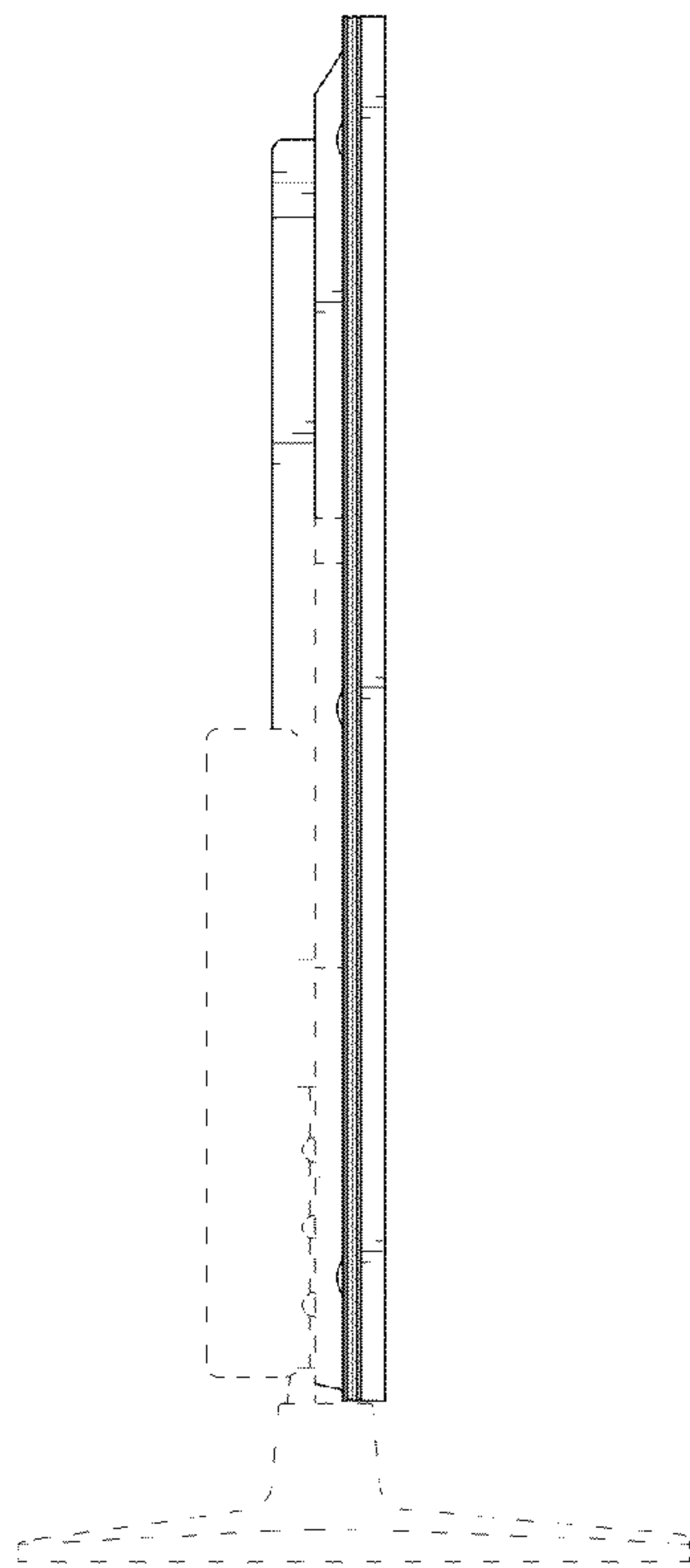


FIG. 5

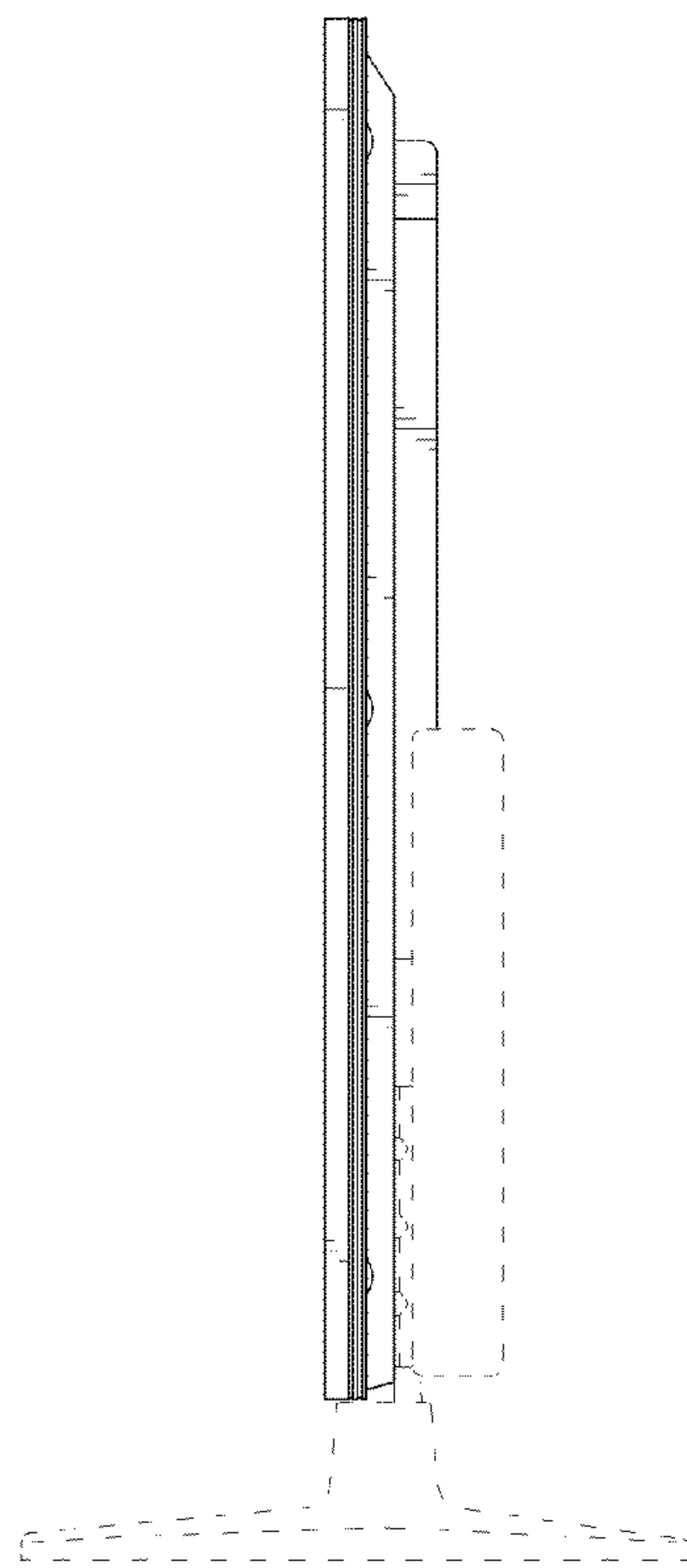


FIG. 6

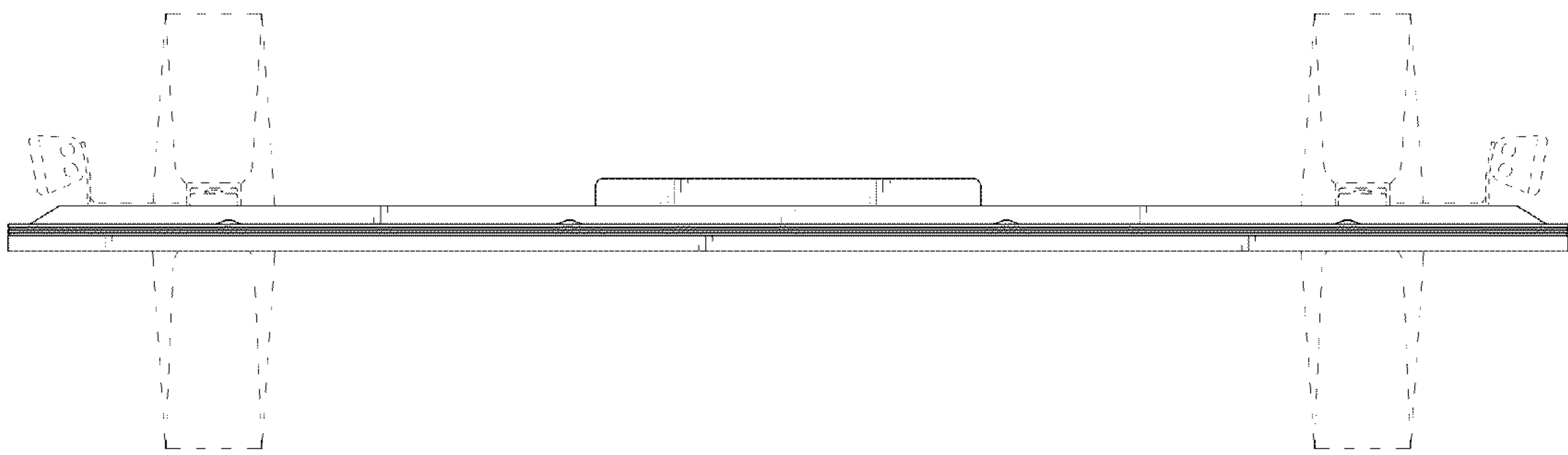


FIG. 7

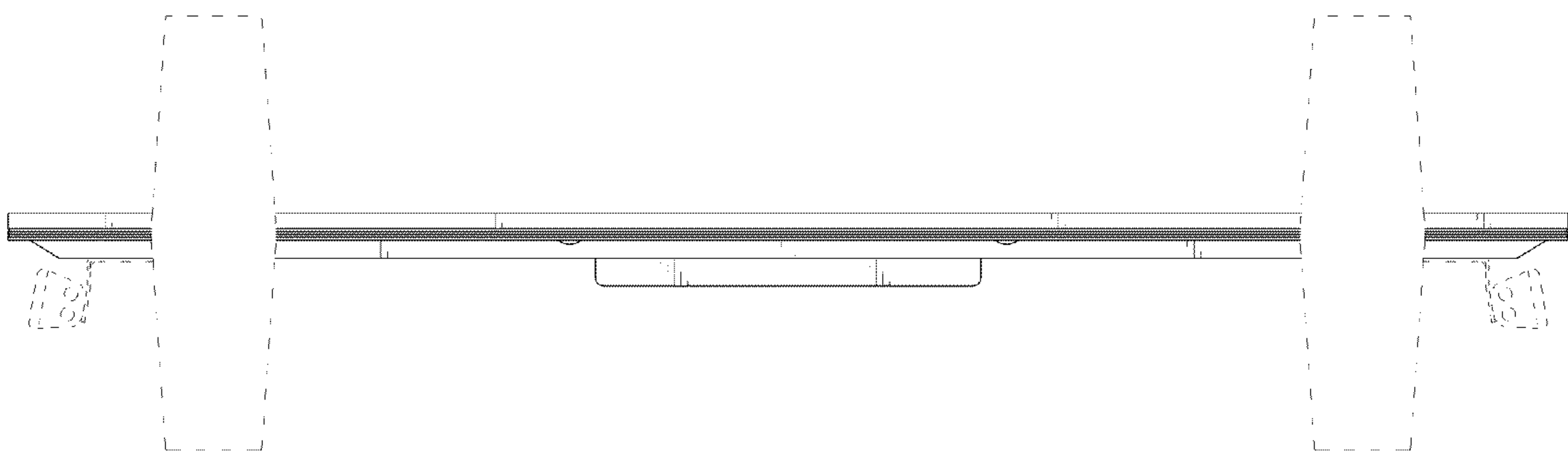


FIG. 8

