



US00D725613S

(12) **United States Design Patent**
Lowes et al.

(10) **Patent No.:** **US D725,613 S**
(45) **Date of Patent:** **** Mar. 31, 2015**

(54) **LED PACKAGE**

(75) Inventors: **Theodore Lowes**, Lompoc, CA (US);
Eric J. Tarsa, Goleta, CA (US); **Sten Heikman**, Goleta, CA (US); **Bernd Keller**, Santa Barbara, CA (US); **John A. Edmond**, Durham, NC (US); **Jesse Reiherzer**, Raleigh, NC (US); **Hormoz Benjamin**, Moorpark, CA (US)

(73) Assignee: **Cree, Inc.**, Durham, NC (US)

(**) Term: **14 Years**

(21) Appl. No.: **29/424,861**

(22) Filed: **Jun. 15, 2012**

(51) **LOC (10) Cl.** **13-03**

(52) **U.S. Cl.**

USPC **D13/180**

(58) **Field of Classification Search**

USPC D13/180; D26/1; 257/79, 80, 81, 88,
257/89, 95, 98, 99, 100, E33.058; 313/483,
313/498, 500; 362/555, 800

See application file for complete search history.

(56) **References Cited**

U.S. PATENT DOCUMENTS

4,843,280 A * 6/1989 Lumbard et al. 313/500
5,040,868 A 8/1991 Waitl

(Continued)

FOREIGN PATENT DOCUMENTS

CN 1417868 A 5/2003
CN 1977399 6/2007

(Continued)

OTHER PUBLICATIONS

Reasons for Rejection from Japanese Design Patent Appl. No. 2013-004502, dated Aug. 6, 2013.

(Continued)

Primary Examiner — Selina Sikder

(74) *Attorney, Agent, or Firm* — Koppel, Patrick, Heybl & Philpott

(57)

CLAIM

The ornamental design for an LED package, as shown and described herein.

DESCRIPTION

FIG. 1 is a top perspective view of an LED package according to the present invention.

FIG. 2 is a front elevation view of one side of the LED package shown in FIG. 1.

FIG. 3 is a back elevation view of the LED package as shown in FIG. 1.

FIG. 4 is a top view of the LED package shown in FIG. 1.

FIG. 5 is a bottom view of the LED package shown in FIG. 1.

FIG. 6 is a right elevation view of the LED package shown in FIG. 1.

FIG. 7 is a left elevation view of the LED package shown in FIG. 1.

FIG. 8 is a top perspective view of the LED package showing an alternate environment.

FIG. 9 is a front elevation view of one side of the LED package shown in FIG. 8.

FIG. 10 is a back elevation view of the LED package as shown in FIG. 8.

FIG. 11 is a top view of the LED package shown in FIG. 8.

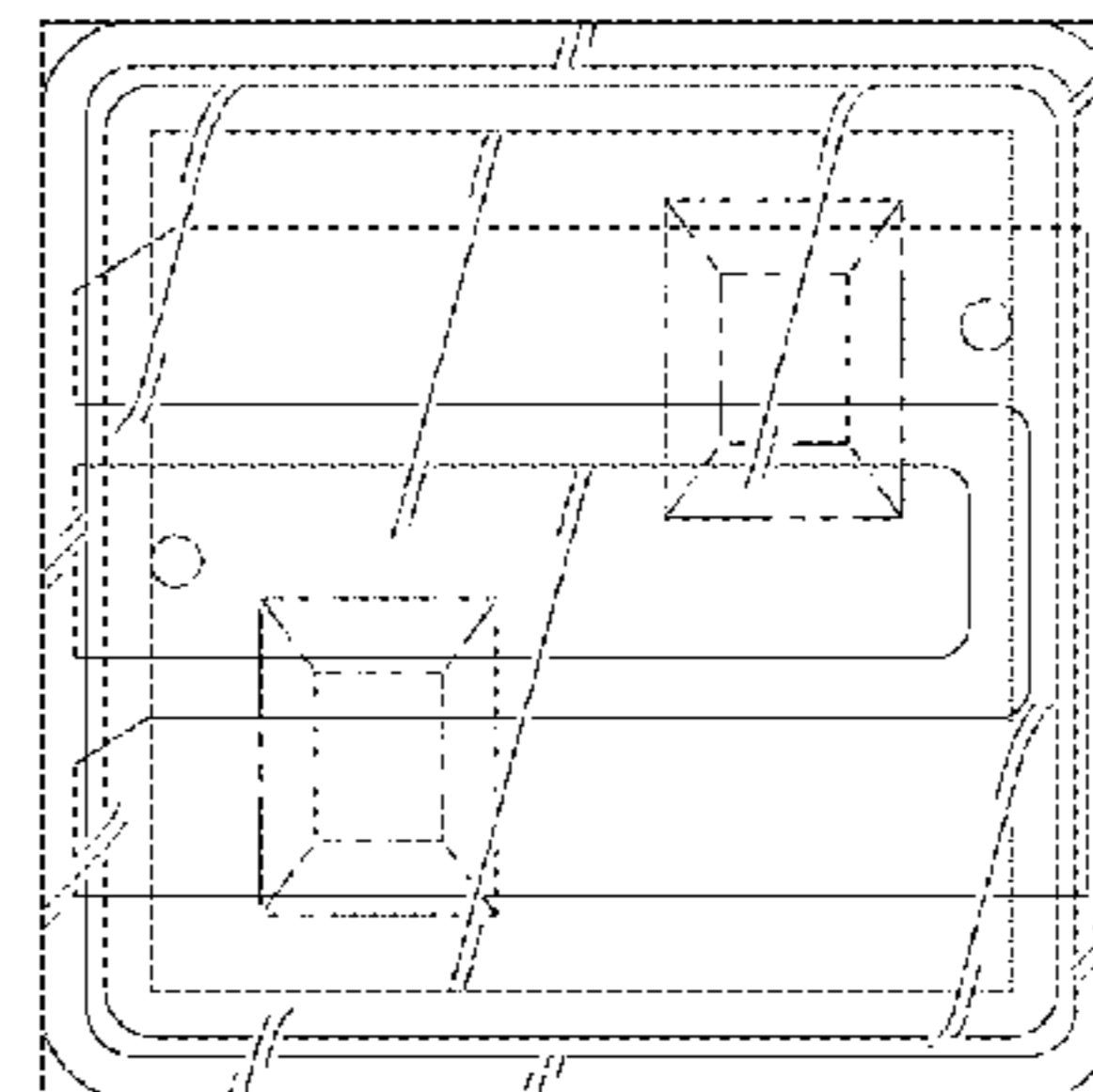
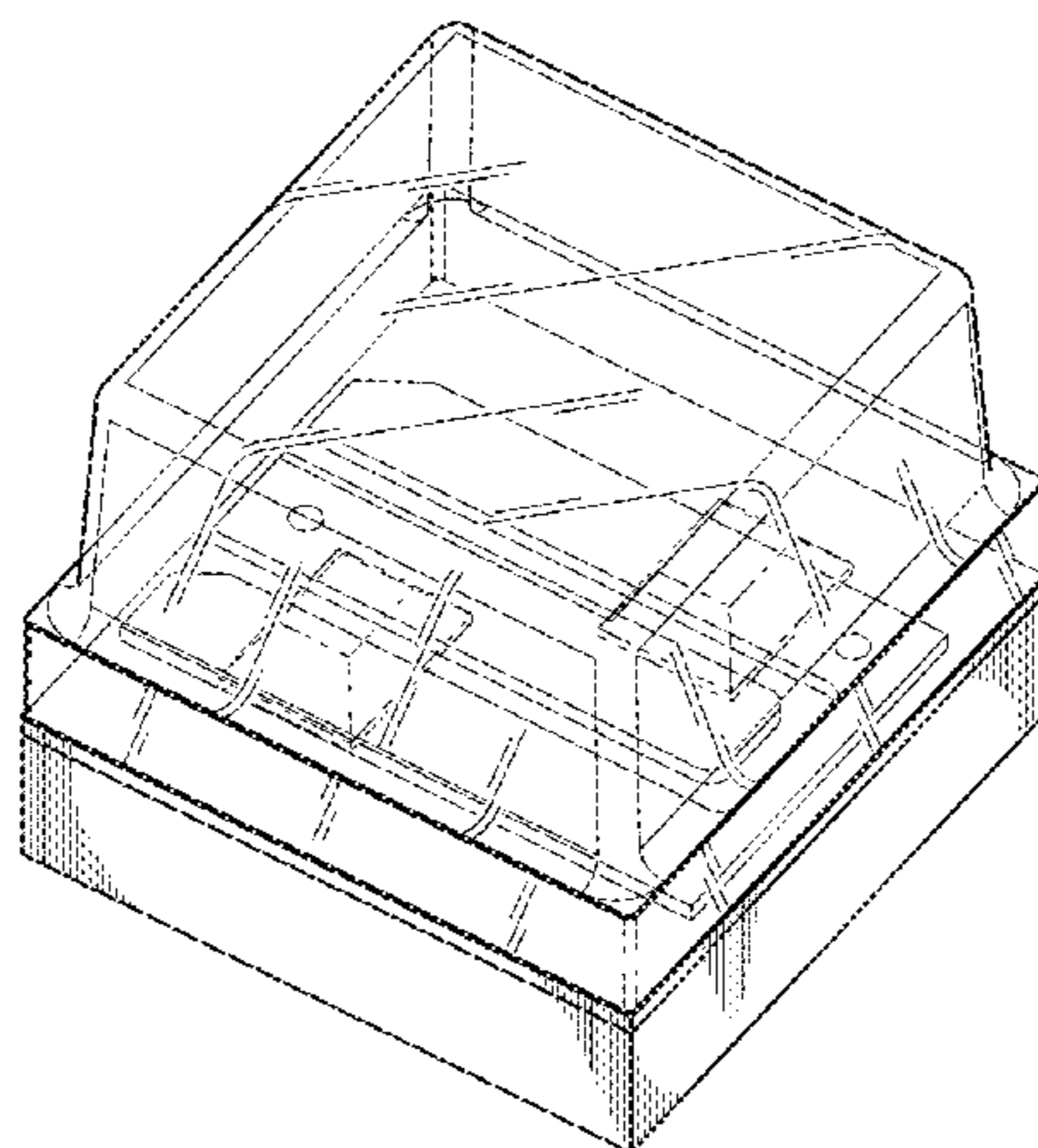
FIG. 12 is a bottom view of the LED package shown in FIG. 8.

FIG. 13 is a right elevation view of the LED package shown in FIG. 8; and,

FIG. 14 is a left elevation view of the LED package shown in FIG. 8.

The broken lines shown in the above figures depict environmental subject matter only and form no part of the claimed design in those embodiments.

1 Claim, 5 Drawing Sheets



(56)

References Cited

U.S. PATENT DOCUMENTS

6,015,719	A *	1/2000	Kish et al.	438/29
6,061,160	A	5/2000	Maruyama	
6,376,902	B1	4/2002	Arndt	
6,396,082	B1 *	5/2002	Fukasawa et al.	257/79
D476,961	S *	7/2003	Horiuchi et al.	D13/182
6,707,069	B2	3/2004	Song et al.	
6,759,733	B2	7/2004	Arndt	
6,900,511	B2	5/2005	Ruhnau et al.	
6,940,704	B2	9/2005	Stalions	
7,066,626	B2	6/2006	Omata	
7,102,215	B2	9/2006	Arndt	
D536,308	S *	2/2007	Inoue	D13/180
7,183,632	B2	2/2007	Arndt	
D539,240	S *	3/2007	Inoue	D13/180
7,224,000	B2	5/2007	Aanegola et al.	
7,271,425	B2	9/2007	Arndt et al.	
7,282,785	B2	10/2007	Yoshida	
7,317,181	B2	1/2008	Murakami et al.	
D572,210	S	7/2008	Lee	
D576,574	S	9/2008	Kobayakawa	
D582,866	S *	12/2008	Edmond et al.	D13/180
7,491,977	B2 *	2/2009	Fukasawa	257/98
D591,697	S	5/2009	Andrews et al.	
D615,504	S	5/2010	Keller et al.	
D631,020	S	1/2011	Chuang et al.	
D633,631	S	3/2011	Shieh et al.	
D634,863	S	3/2011	Leung et al.	
D656,906	S	4/2012	Leung et al.	
D662,902	S	7/2012	Shieh et al.	
2002/0056848	A1 *	5/2002	Wirth	257/98
2002/0123163	A1	9/2002	Fujii	
2002/0163001	A1	11/2002	Shaddock et al.	
2004/0041222	A1	3/2004	Loh	
2004/0061440	A1 *	4/2004	Imai et al.	313/512
2004/0079957	A1	4/2004	Andrews et al.	
2004/0126913	A1	7/2004	Loh	
2004/0238930	A1	12/2004	Arndt	
2005/0173721	A1 *	8/2005	Isoda	257/99
2006/0049477	A1	3/2006	Arndt et al.	
2006/0102917	A1	5/2006	Oyama et al.	
2007/0252250	A1	11/2007	Hui et al.	
2009/0108281	A1	4/2009	Keller et al.	
2009/0283781	A1	11/2009	Chan et al.	
2012/0032202	A1 *	2/2012	Ogata et al.	257/88
2013/0328073	A1 *	12/2013	Lowes et al.	257/89
2013/0328074	A1 *	12/2013	Lowes et al.	257/89
2014/0027795	A1 *	1/2014	Reiherzer et al.	257/88

FOREIGN PATENT DOCUMENTS

EP	1187227	3/2002
EP	1953834 A1	8/2008
JP	2000188358	7/2000
JP	2003197974	7/2003
JP	2000223752	3/2006

JP	2007287981	11/2007
JP	2007299905	11/2007
KR	3003875582	9/2005
KR	3003875583	9/2005
TW	D112798	5/1989
TW	D1110647	10/2004
TW	D123860	8/2008
TW	D128141	4/2009
TW	D158571	1/2014
TW	D158573	1/2014
WO	WO 2004053933	6/2004

OTHER PUBLICATIONS

Examination Report from Taiwanese Patent Appl. No. 102301478, dated Sep. 6, 2013.

Notice of Allowance from Chinese Patent Appl. No. 201330524820.7, Dated Aug. 5, 2014.

Notice of Allowance and Search Report for Taiwanese Patent Appl. No. 101307391, dated Oct. 15, 2013.

Decision of Registration from Japanese Design Patent Application No 2013-025955, dated Jun. 24, 2014.

Decision of Registration from Japanese Design Patent Application No. 2013-004502, dated Jun. 24, 2014.

Office Action from Korean Patent Design Appl. No. 30-2013-0010610, dated Jul. 8, 2014.

Examination and Search Report from Taiwanese Patent Appl. No. 103300731, dated Jul. 21, 2014.

Design of Registration Notice from Japanese Patent Appl. No. 2012-030304, dated Jan. 21, 2014.

First Office Action from Chinese Patent Appl. No. 201330052393.7, dated Jan. 9, 2014.

Notice to Submit a Response from Korean Design Appl. No. 30-2012-0059744 dated Apr. 28, 2014.

Examination Report from Taiwanese Patent appl. No. 102308472, dated May 14, 2014.

Notice of Issuance of Chinese Patent Appl. No. 201430021459.0, dated May 21, 2014.

First Office Action from Chinese Design Patent appl. No. 201330524820.7, dated Feb. 20, 2014.

Office Action from U.S. Appl. No. 29/424,353, dated Dec. 26, 2013.

Letter of Examination Report from Taiwanese Patent appl. No. 101307391, dated Jun. 5, 2013.

Cree® XLamp® MC-E LEDs Product Info Sheets, 14 pages.

Notice to Submit a Response from Korean Patent Appl. No. 30-2012-0059744, dated Nov. 26, 2013.

Notice of Allowance from Korean Patent Appl. No. 30-2013-0010610, dated Oct. 17, 2014.

Notice to Submit a Response from Korean Design Appl. No. 30-2014-0016126, dated Nov. 7, 2014.

Patent Certificate from Chinese Design Patent Appl. No ZL 2013 3 0524820.7, dated Nov. 4, 2013.

Office Action from Korean Patent Appl. No. 30-2014-0006603, dated Nov. 12, 2014.

* cited by examiner

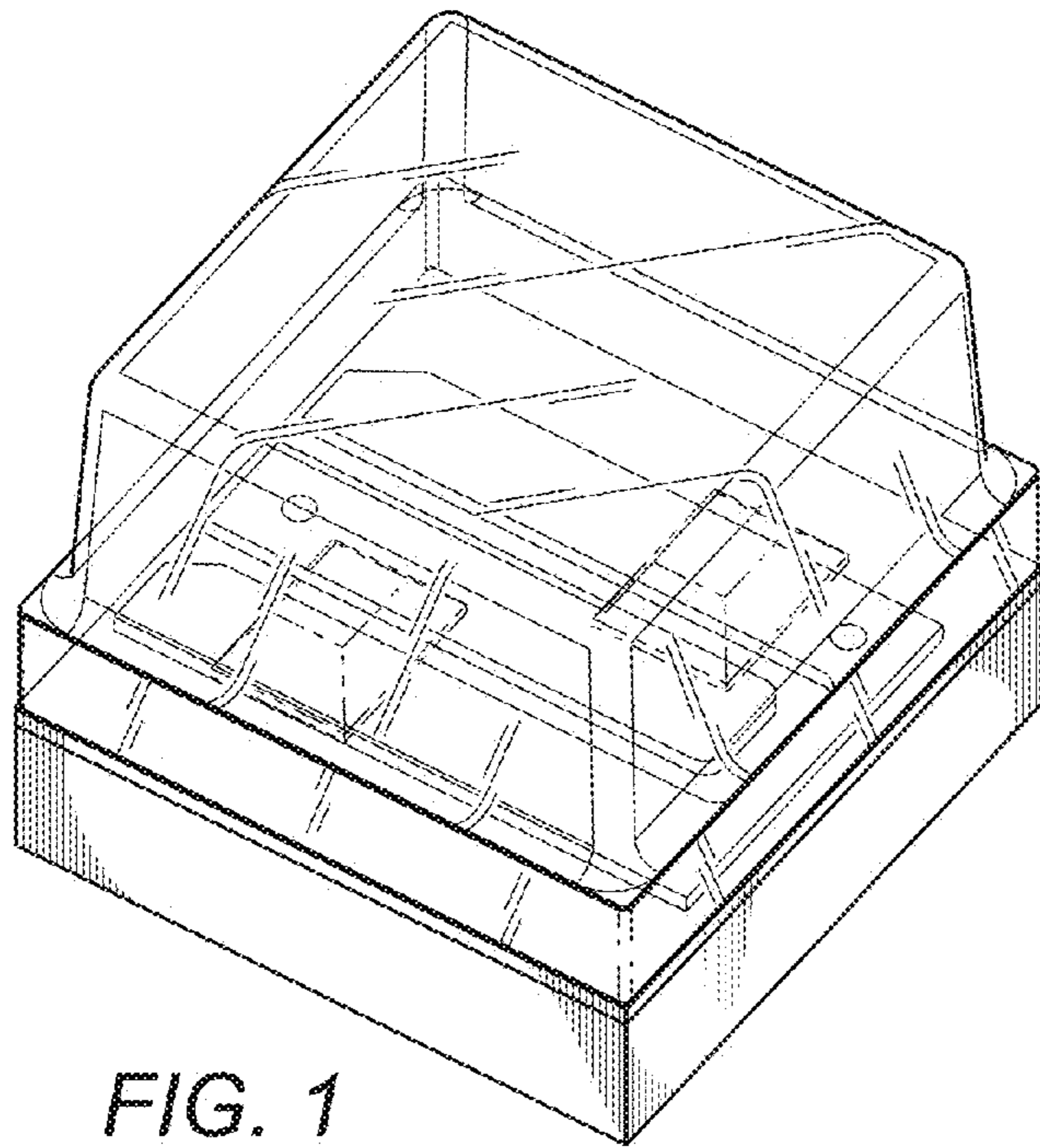


FIG. 1

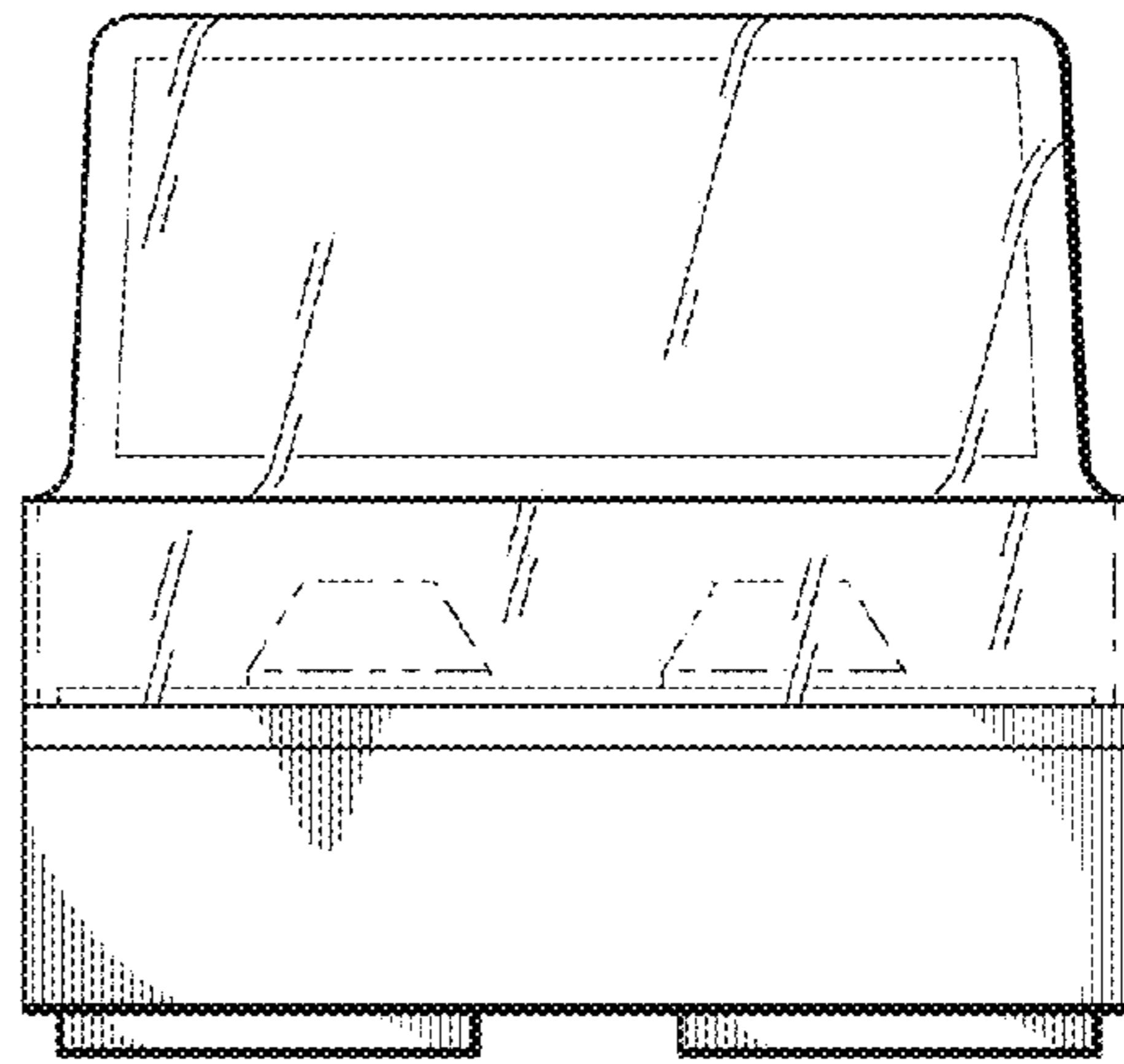


FIG. 2

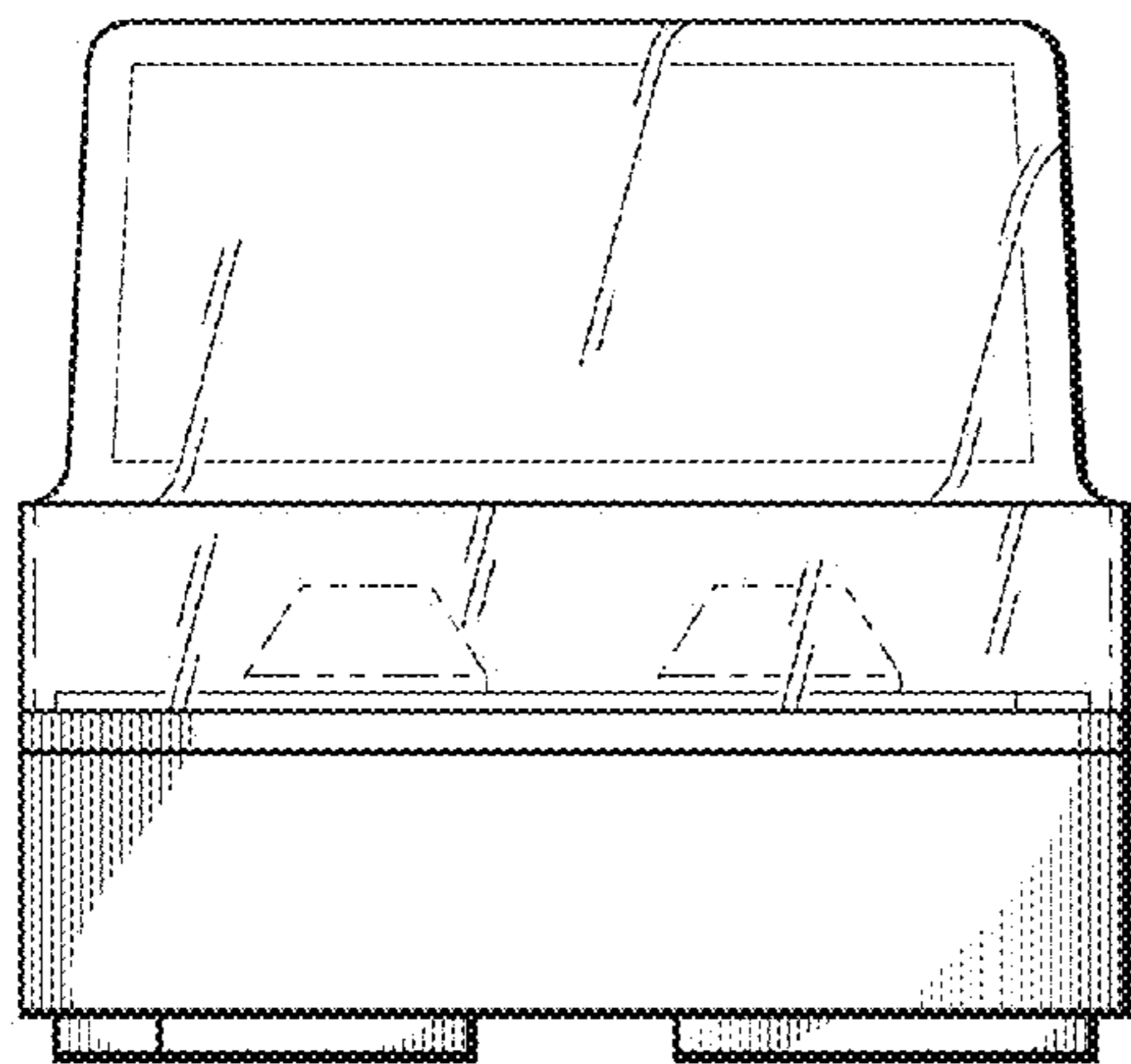


FIG. 3

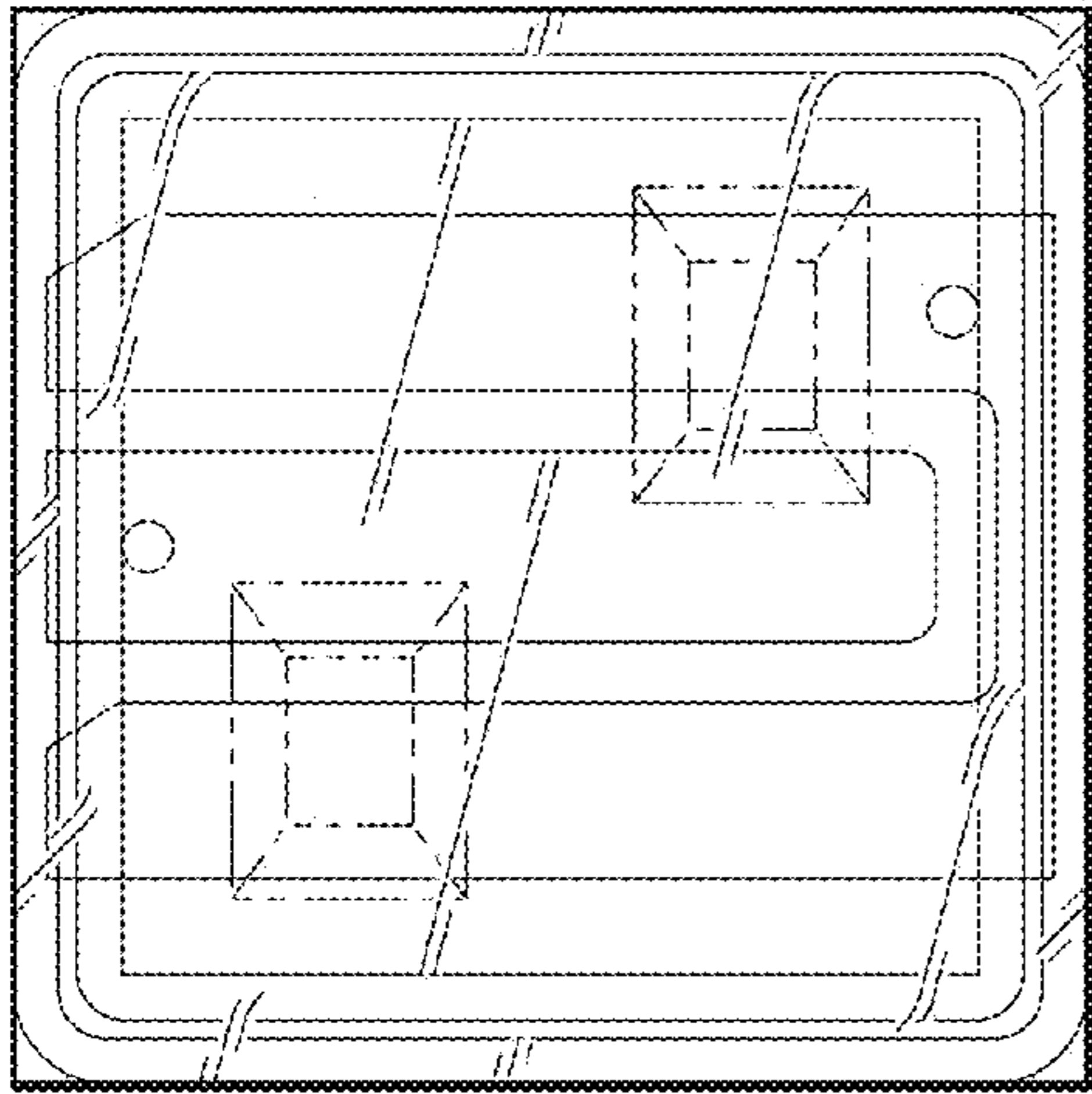


FIG. 4

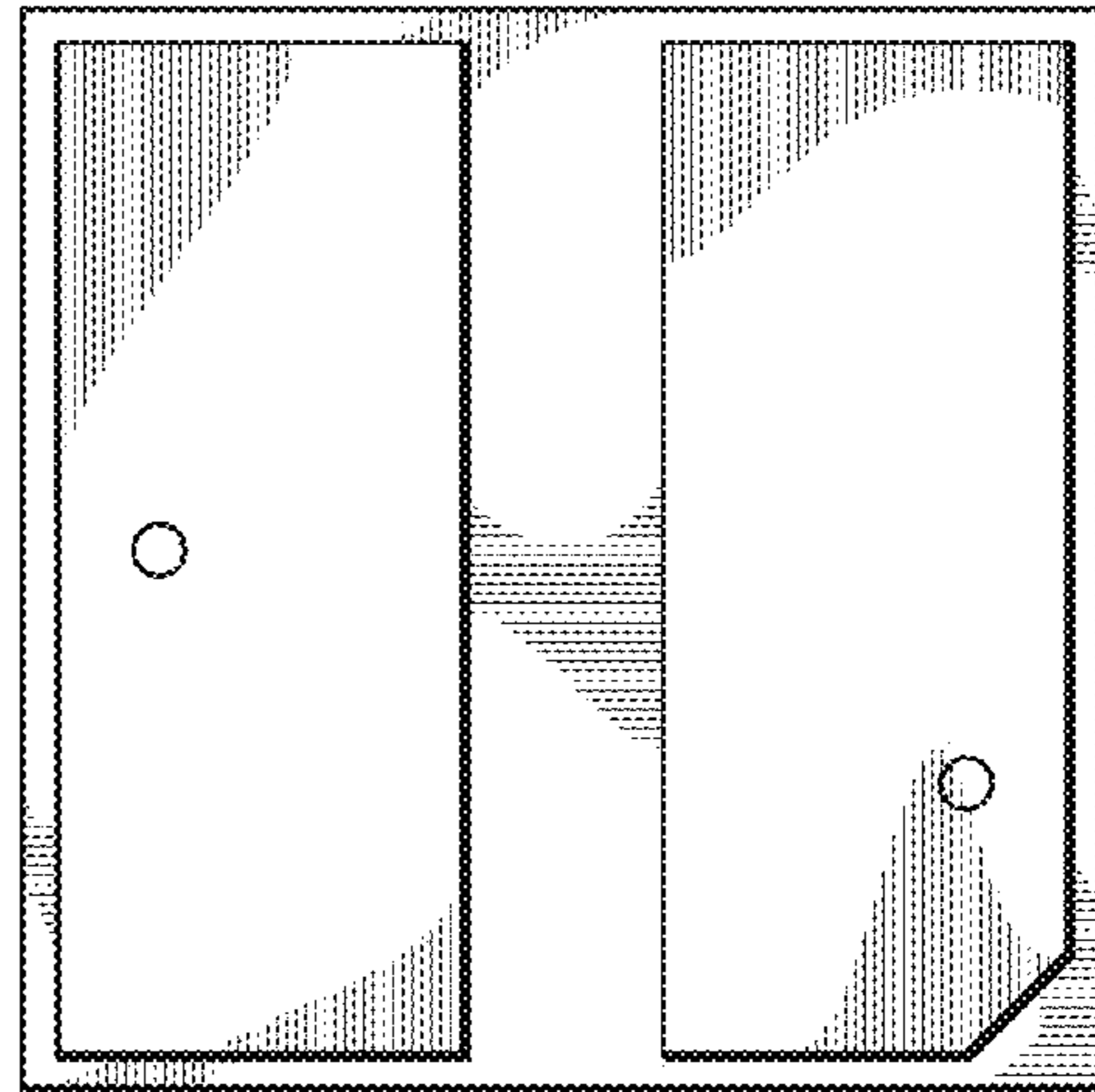


FIG. 5

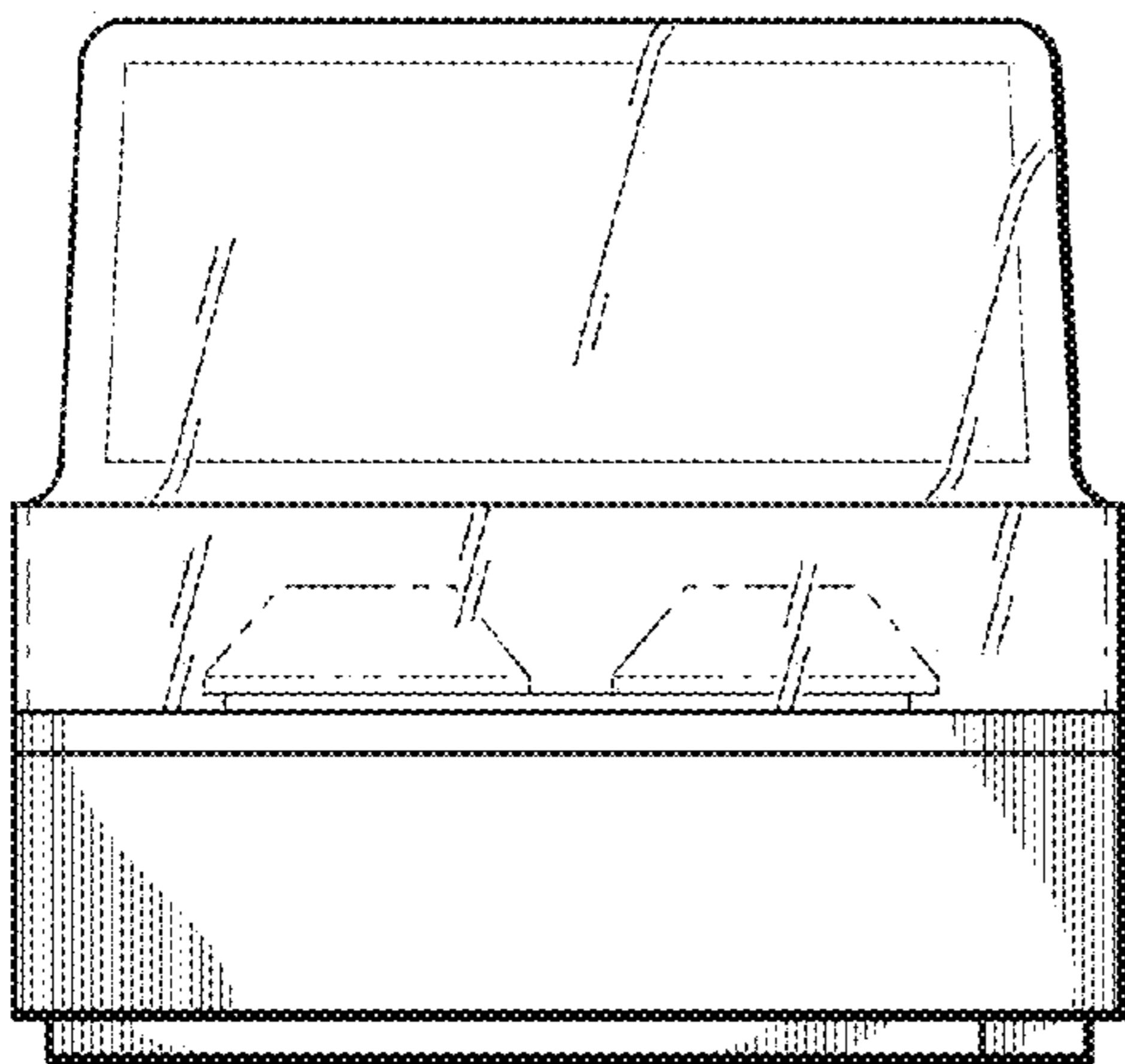


FIG. 6

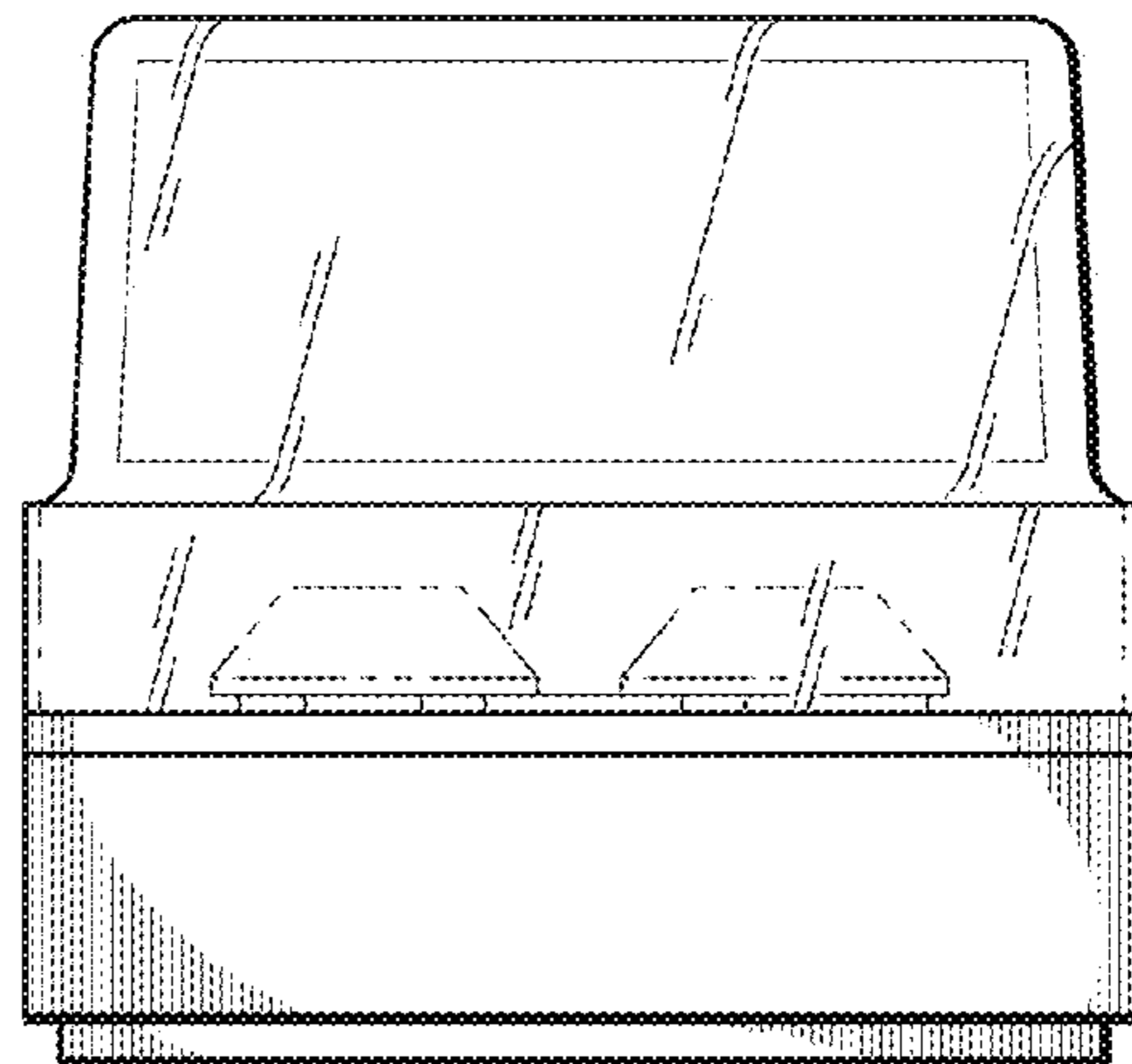


FIG. 7

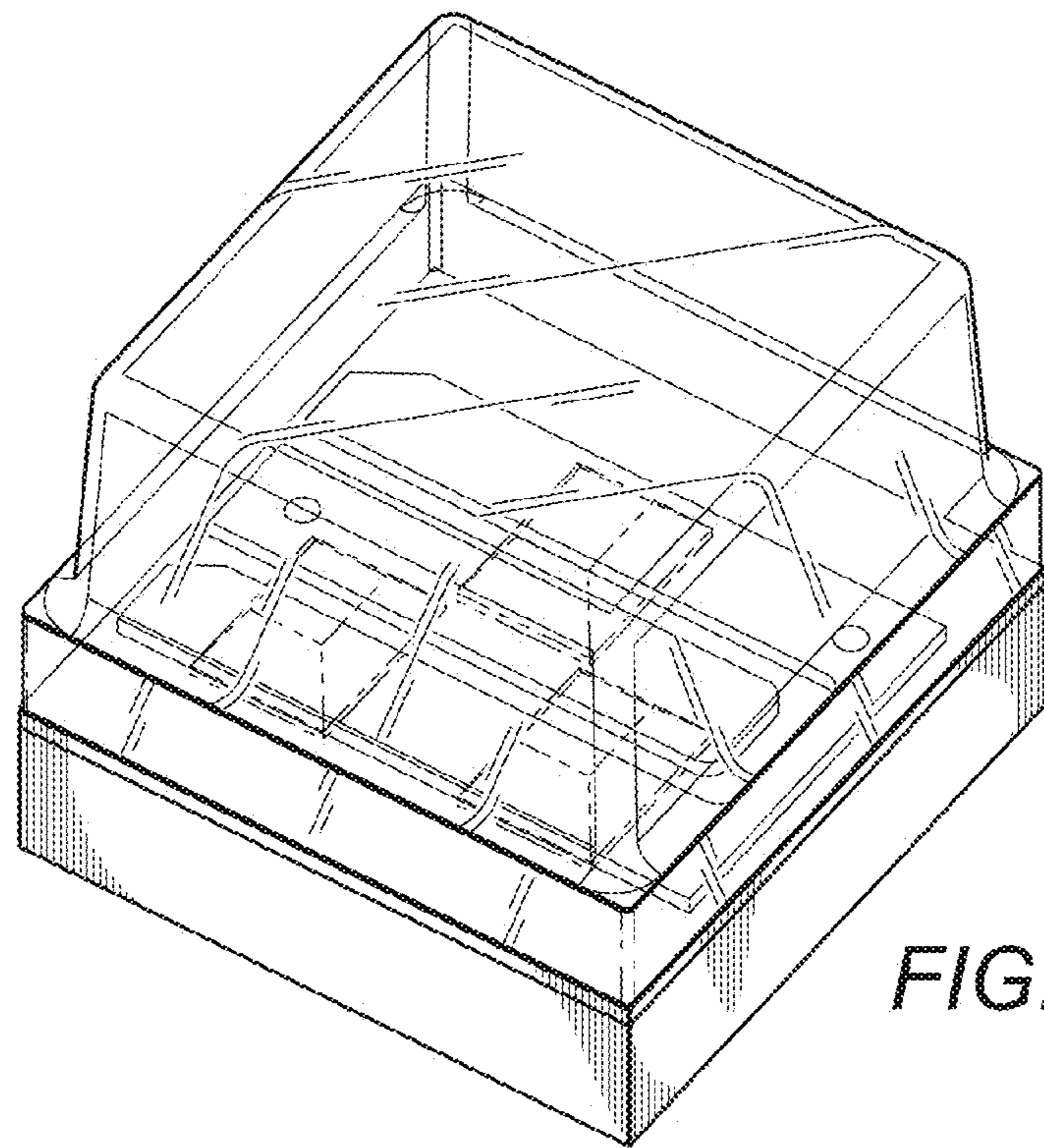


FIG. 8

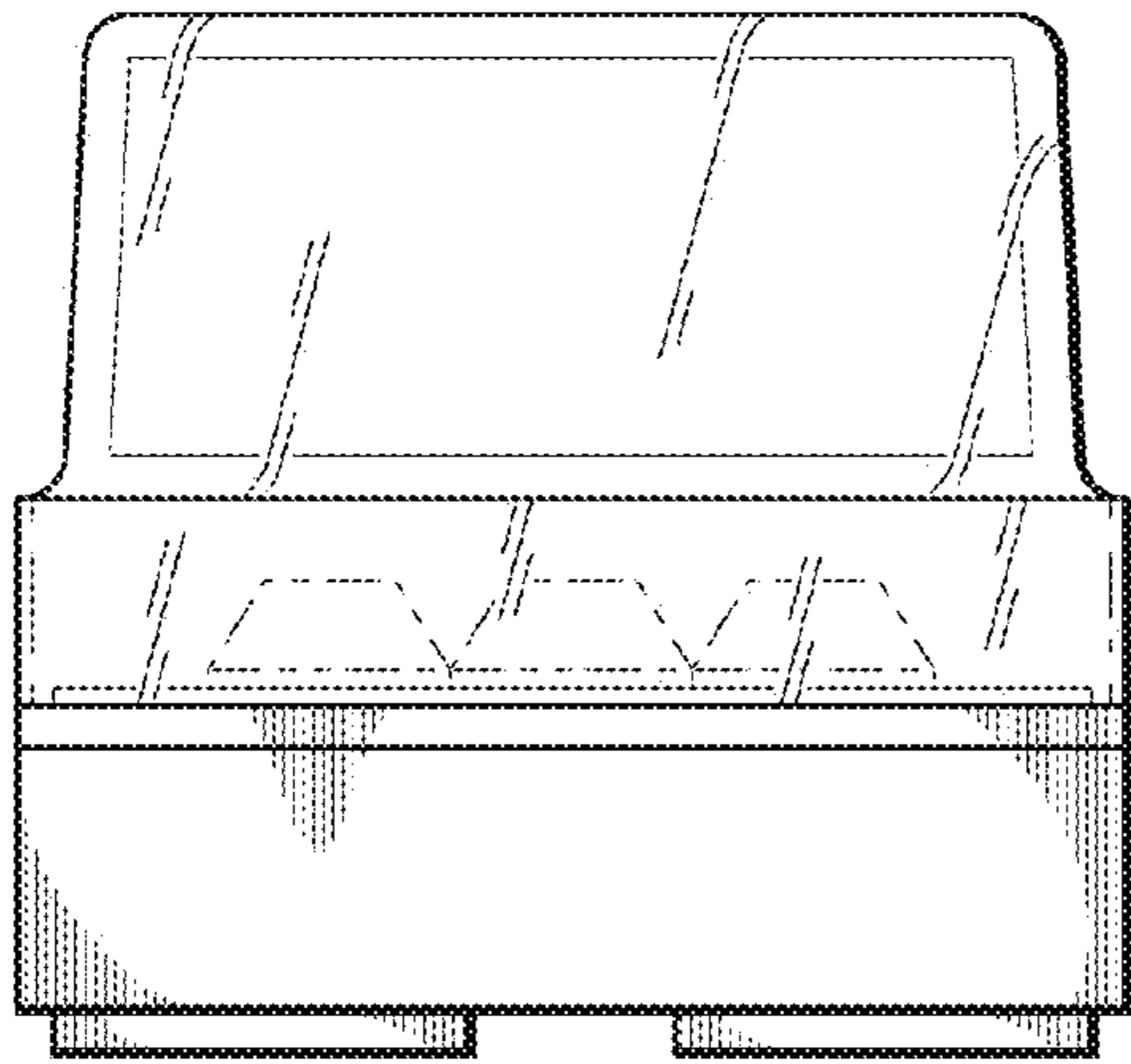


FIG. 9

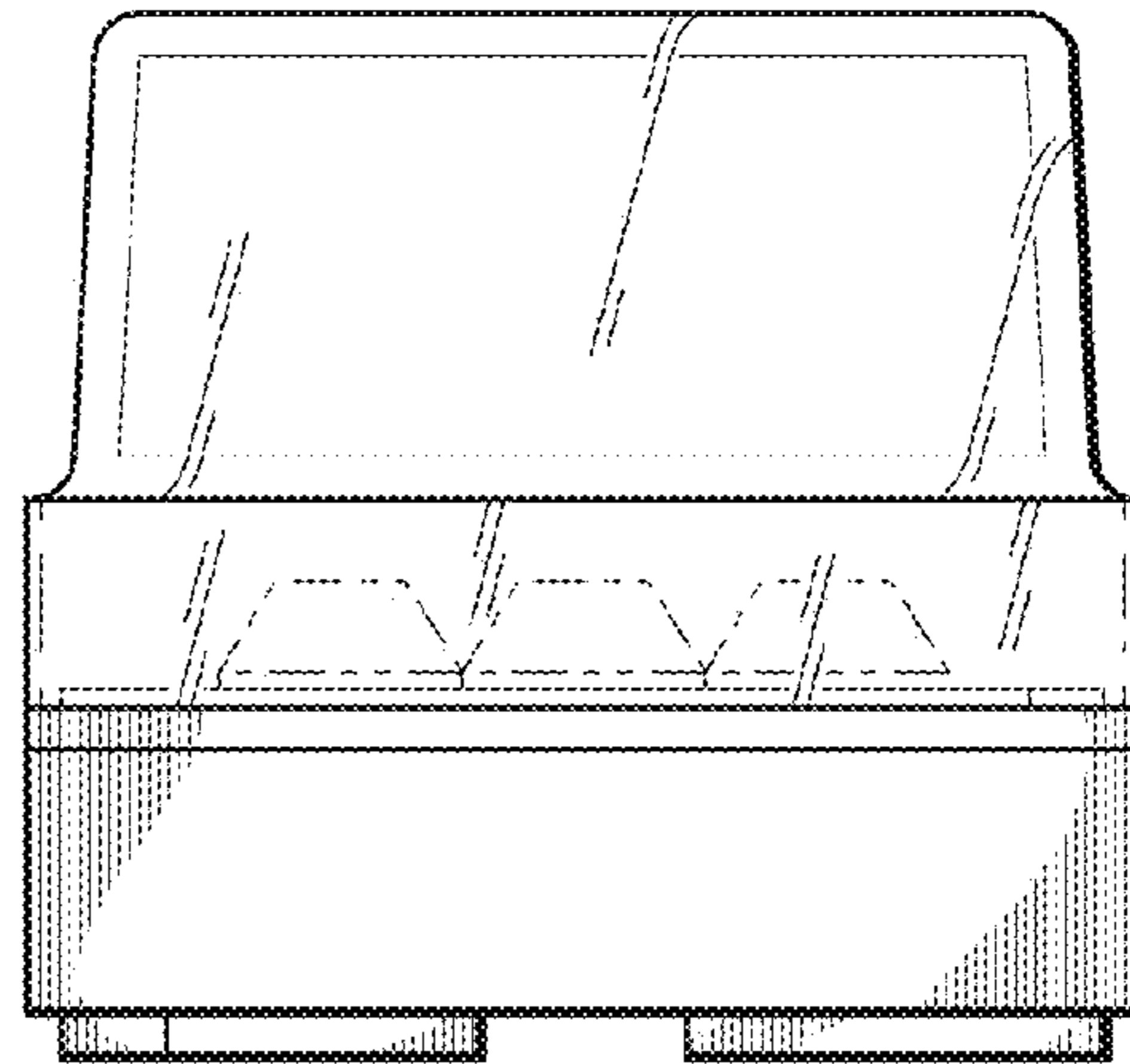


FIG. 10

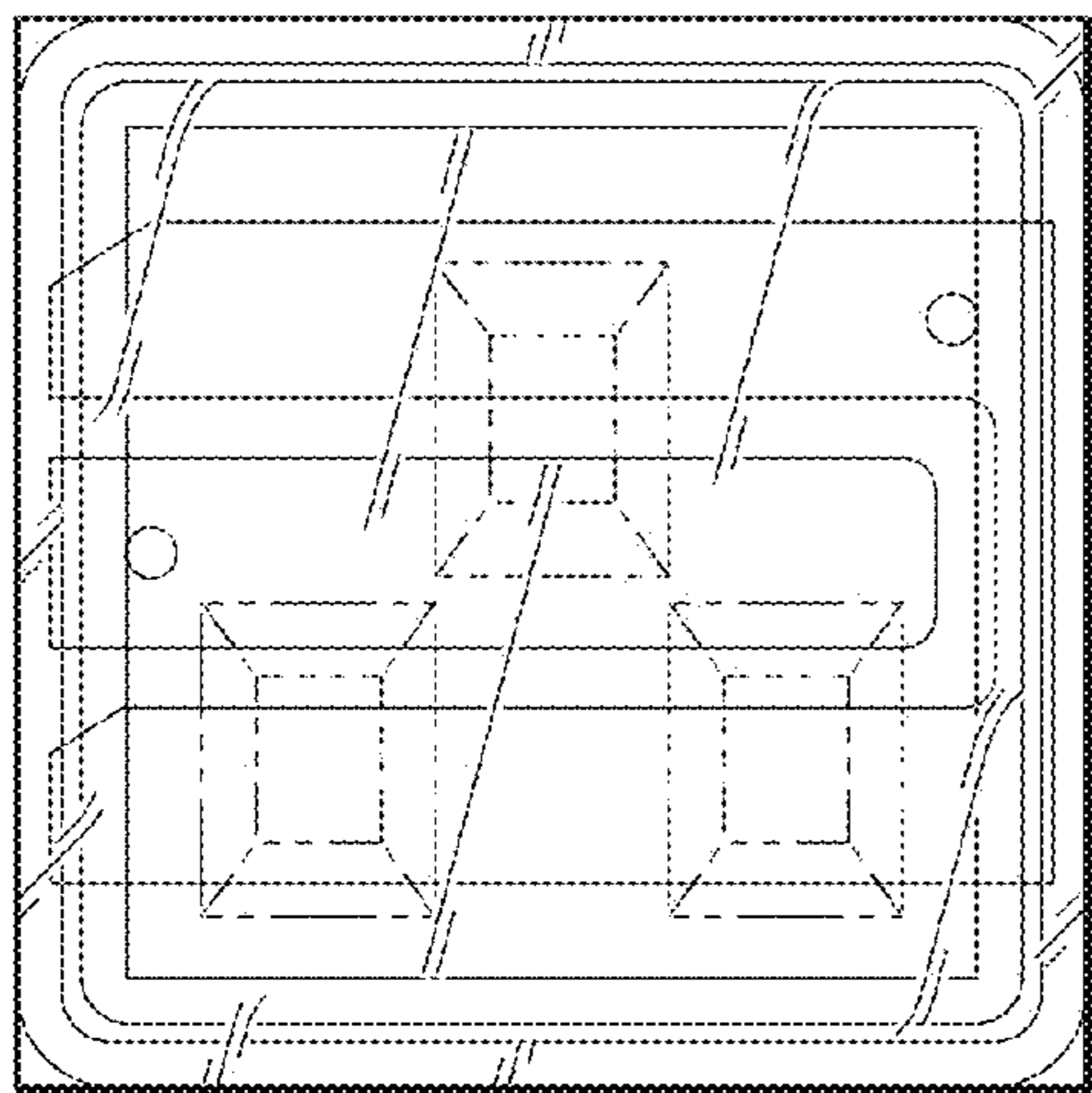


FIG. 11

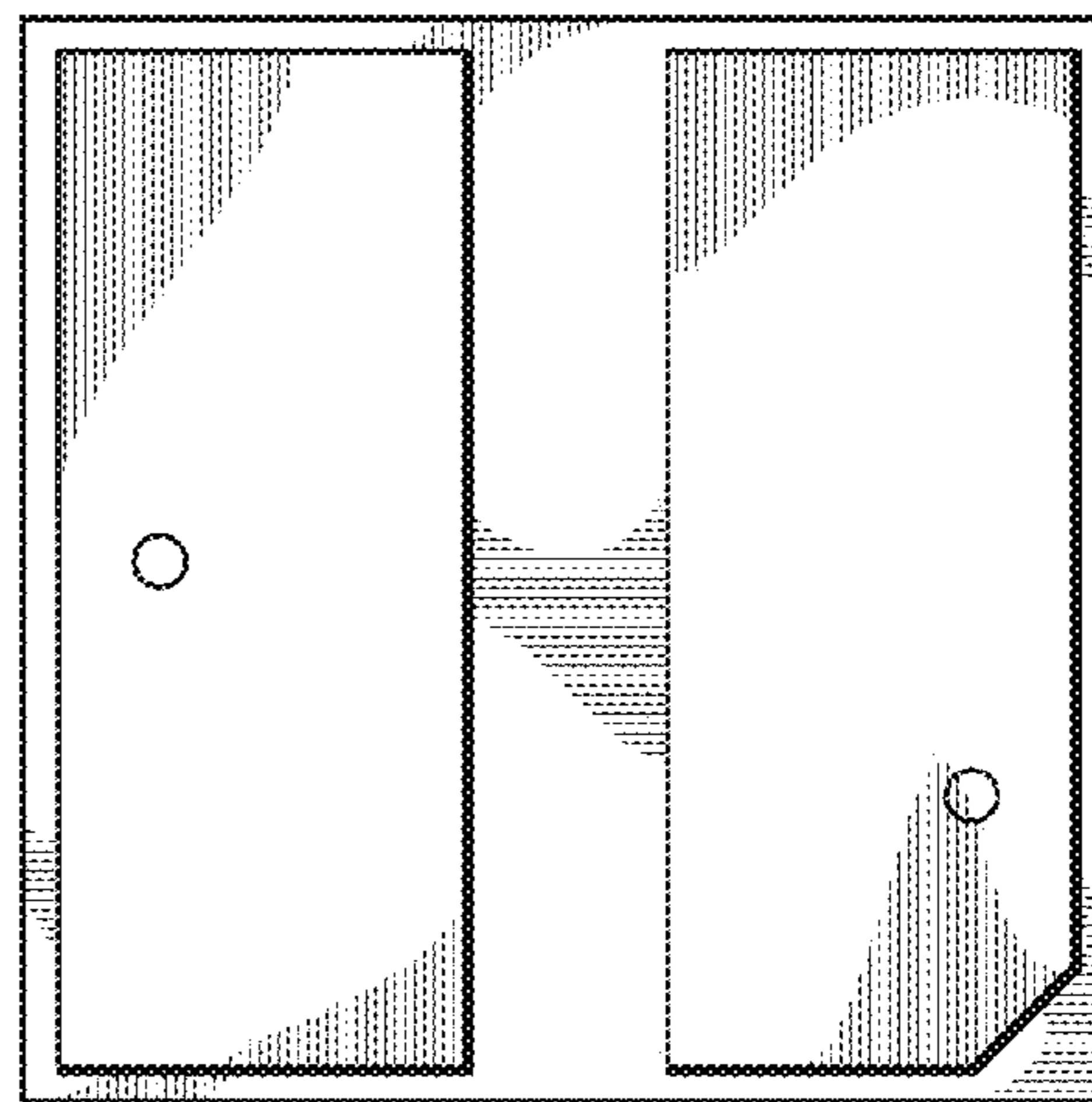


FIG. 12

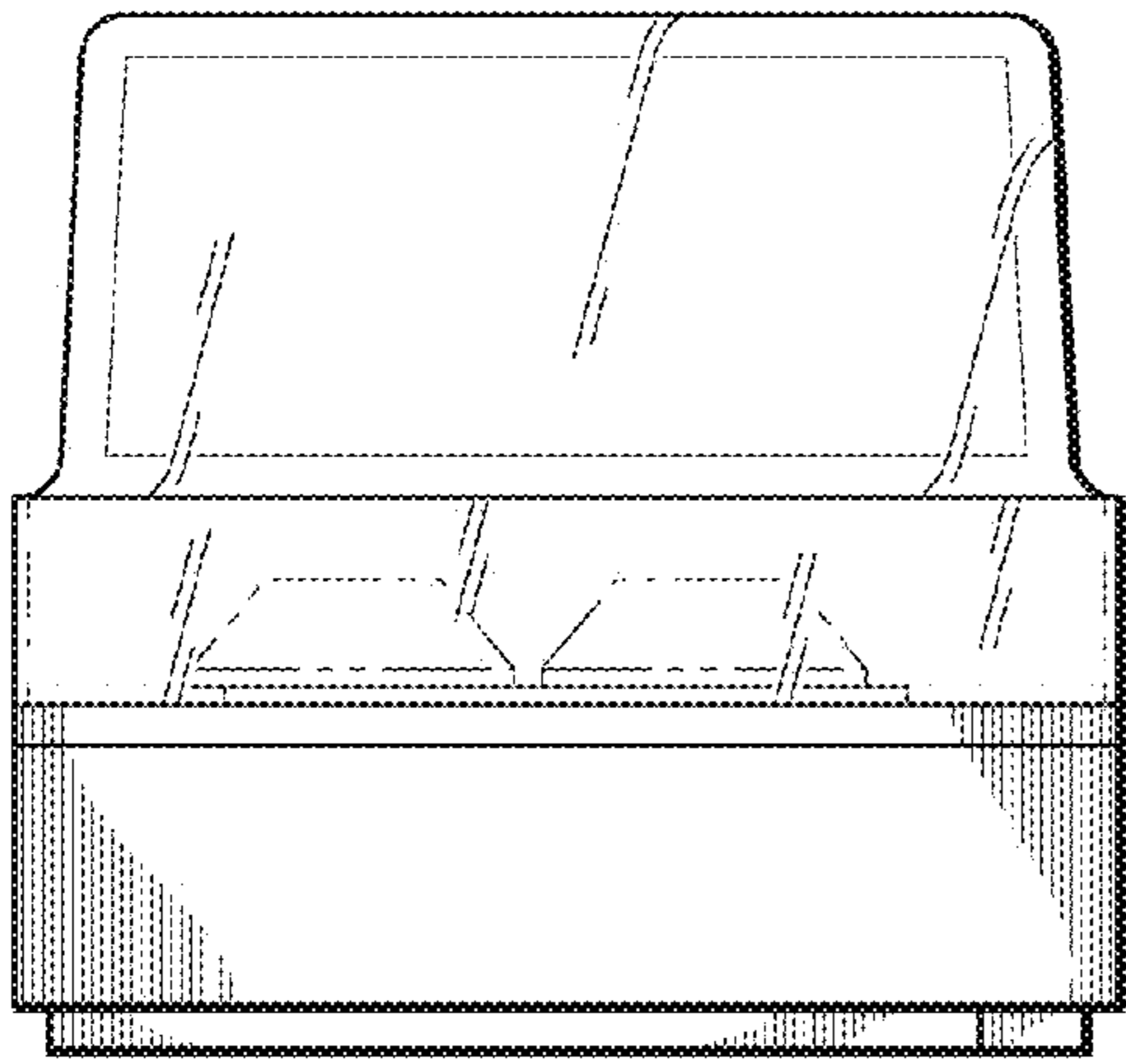


FIG. 13

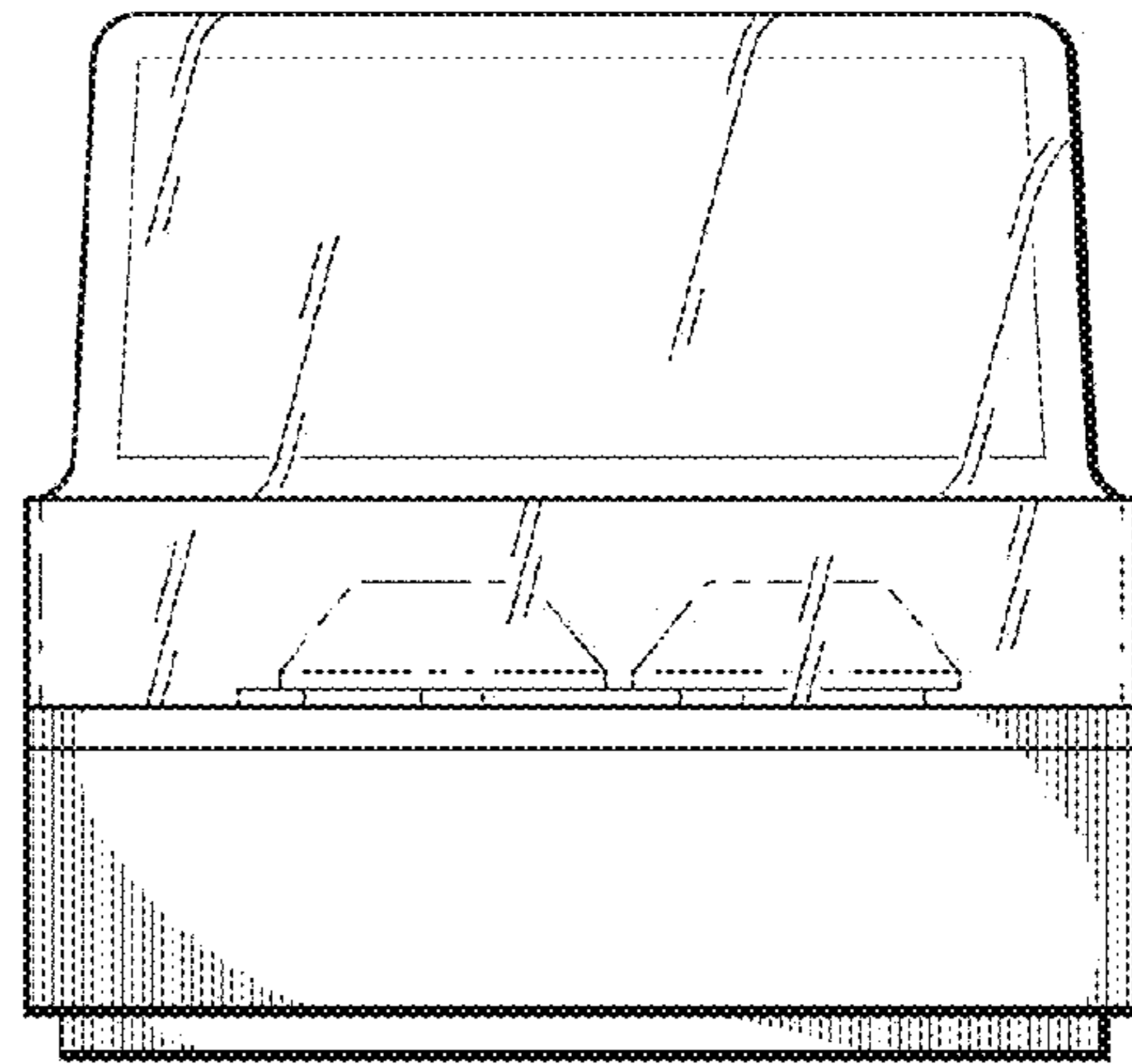


FIG. 14