



US00D725612S

(12) **United States Design Patent**
Schlegel et al.

(10) **Patent No.:** **US D725,612 S**
(45) **Date of Patent:** **** Mar. 31, 2015**

(54) **KEY BUTTON**

(71) Applicant: **Georg Schlegel GmbH & Co. KG**,
Dürmentingen (DE)
(72) Inventors: **Christoph Schlegel**, Dürmentingen
(DE); **Kurt Blank**, Bad Buchau (DE)
(73) Assignee: **Georg Schlegel GmbH & Co. KG**,
Dürmentingen (DE)

(**) Term: **14 Years**

(21) Appl. No.: **29/452,554**

(22) Filed: **Apr. 18, 2013**

(30) **Foreign Application Priority Data**

Oct. 22, 2012 (EM) 1002122911

(51) **LOC (10) Cl.** **13-03**

(52) **U.S. Cl.**
USPC **D13/174**

(58) **Field of Classification Search**
USPC D13/171, 174; D10/108; 307/139, 157;
315/209 R, 224, 246, 291, 294, 295;
200/5 R, 5 A, 302.2, 520, 530, 293, 296,
200/308, 310, 314, 329, 341
See application file for complete search history.

(56) **References Cited**

U.S. PATENT DOCUMENTS

4,419,555 A * 12/1983 Kim 200/314
4,463,237 A * 7/1984 Kim 200/345

4,590,342 A * 5/1986 Schlegel 200/341
4,968,860 A * 11/1990 Shinohara et al. 200/314
D344,930 S * 3/1994 Schaeffer D13/171
D362,841 S * 10/1995 Roza D13/171
D377,337 S * 1/1997 Schaeffer D13/171
D437,835 S * 2/2001 Decosse D13/174
D442,921 S * 5/2001 Bonn D13/174
D469,411 S * 1/2003 Decosse D13/174
6,965,085 B1 * 11/2005 Orrico et al. 200/314
D570,300 S * 6/2008 Weinberg D13/174
8,093,522 B2 * 1/2012 Cheng 200/341
D654,880 S * 2/2012 Lam D13/174
2009/0321241 A1 * 12/2009 Zhen 200/532

* cited by examiner

Primary Examiner — Selina Sikder

(74) *Attorney, Agent, or Firm* — Burr & Brown, PLLC

(57) **CLAIM**

The ornamental design for key button, as shown and described.

DESCRIPTION

FIG. 1 is a perspective view of a key button illustrating our new design;
FIG. 2 a front view thereof;
FIG. 3 is a rear view thereof;
FIG. 4 is a right side view thereof;
FIG. 5 is a left side view thereof;
FIG. 6 is a top view thereof; and,
FIG. 7 is a bottom view thereof.
The broken line showing of the key button is for the purpose of illustrating environmental structure and forms no part of the claimed design.

1 Claim, 4 Drawing Sheets

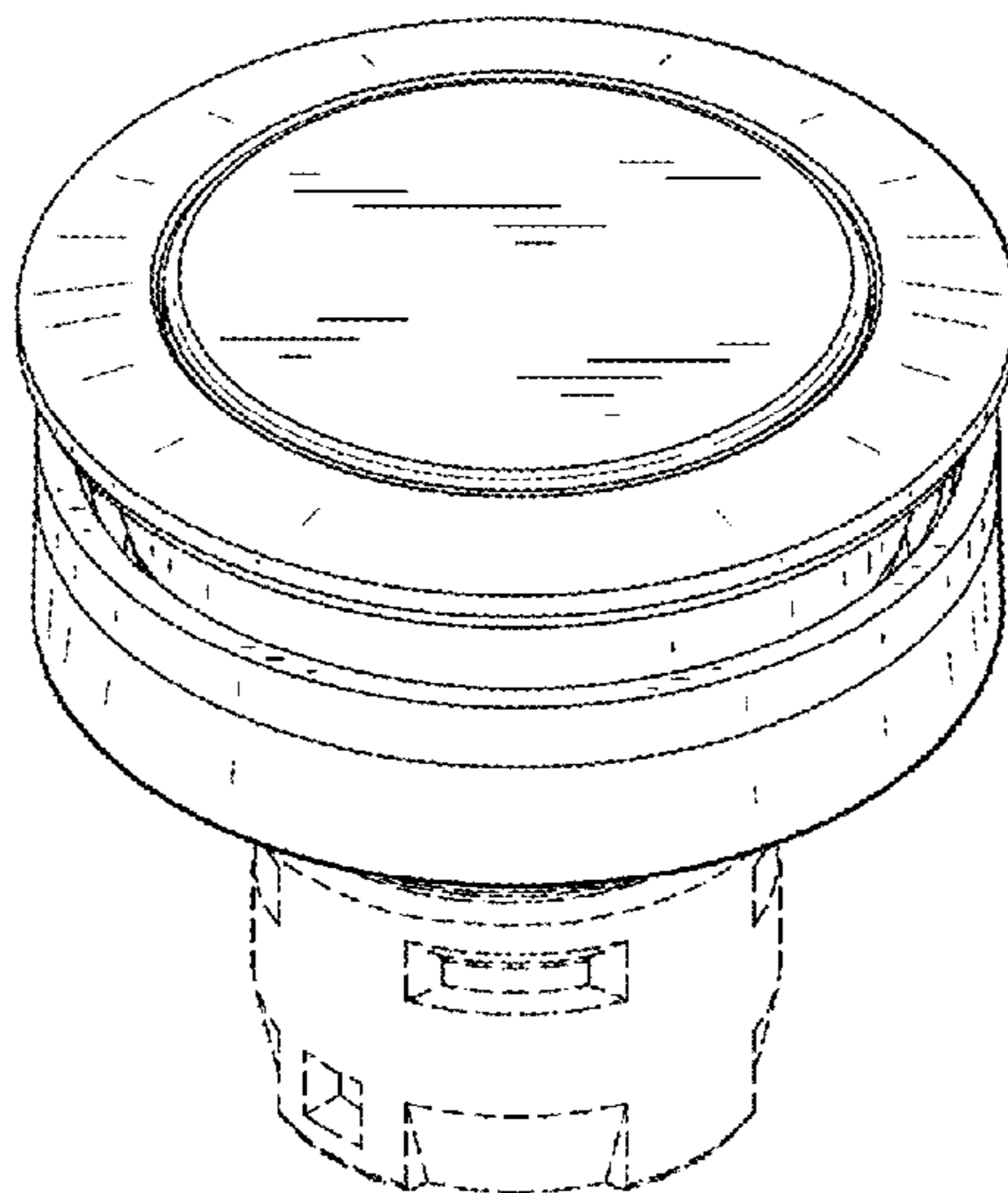


FIG. 1

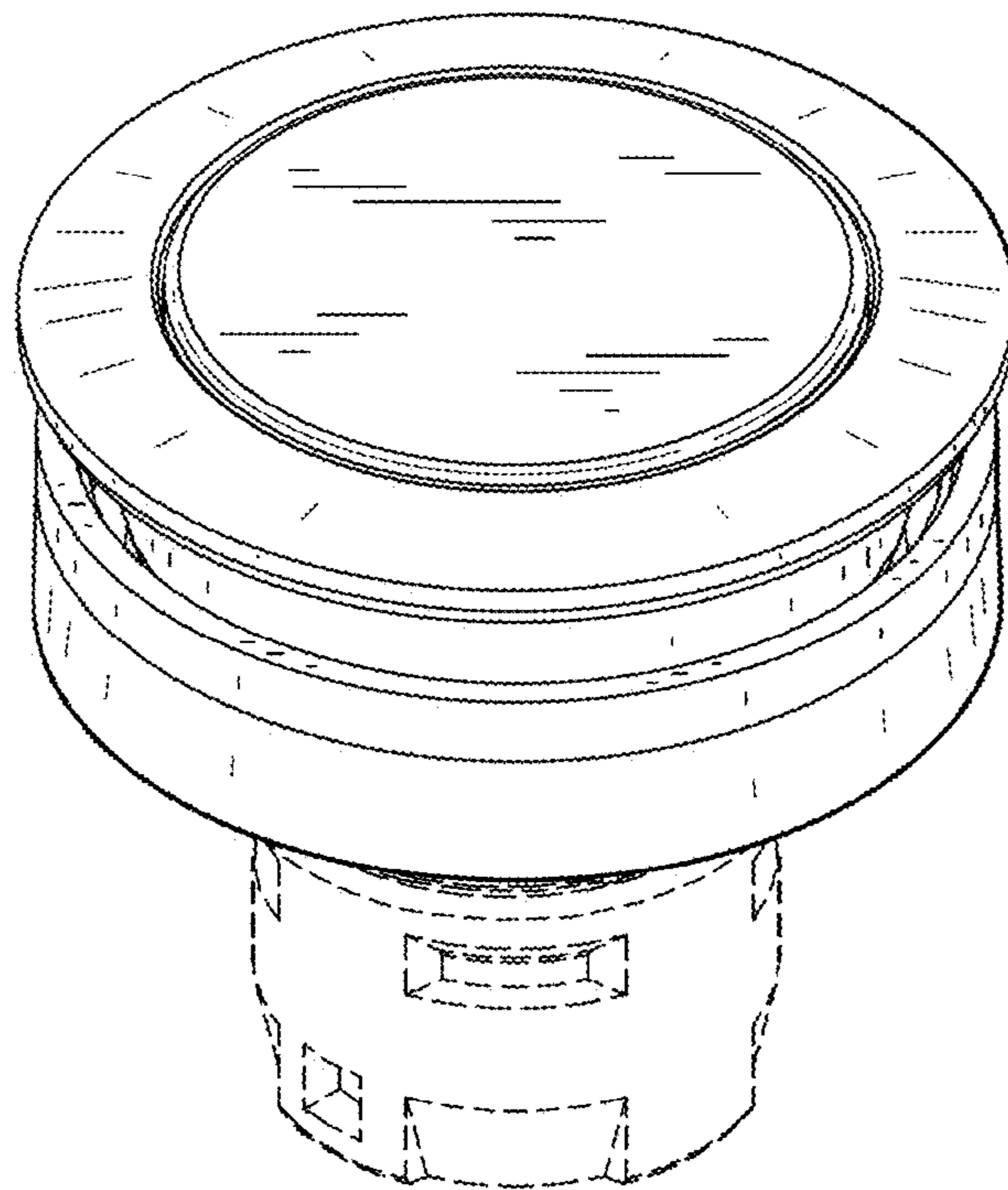


FIG. 2

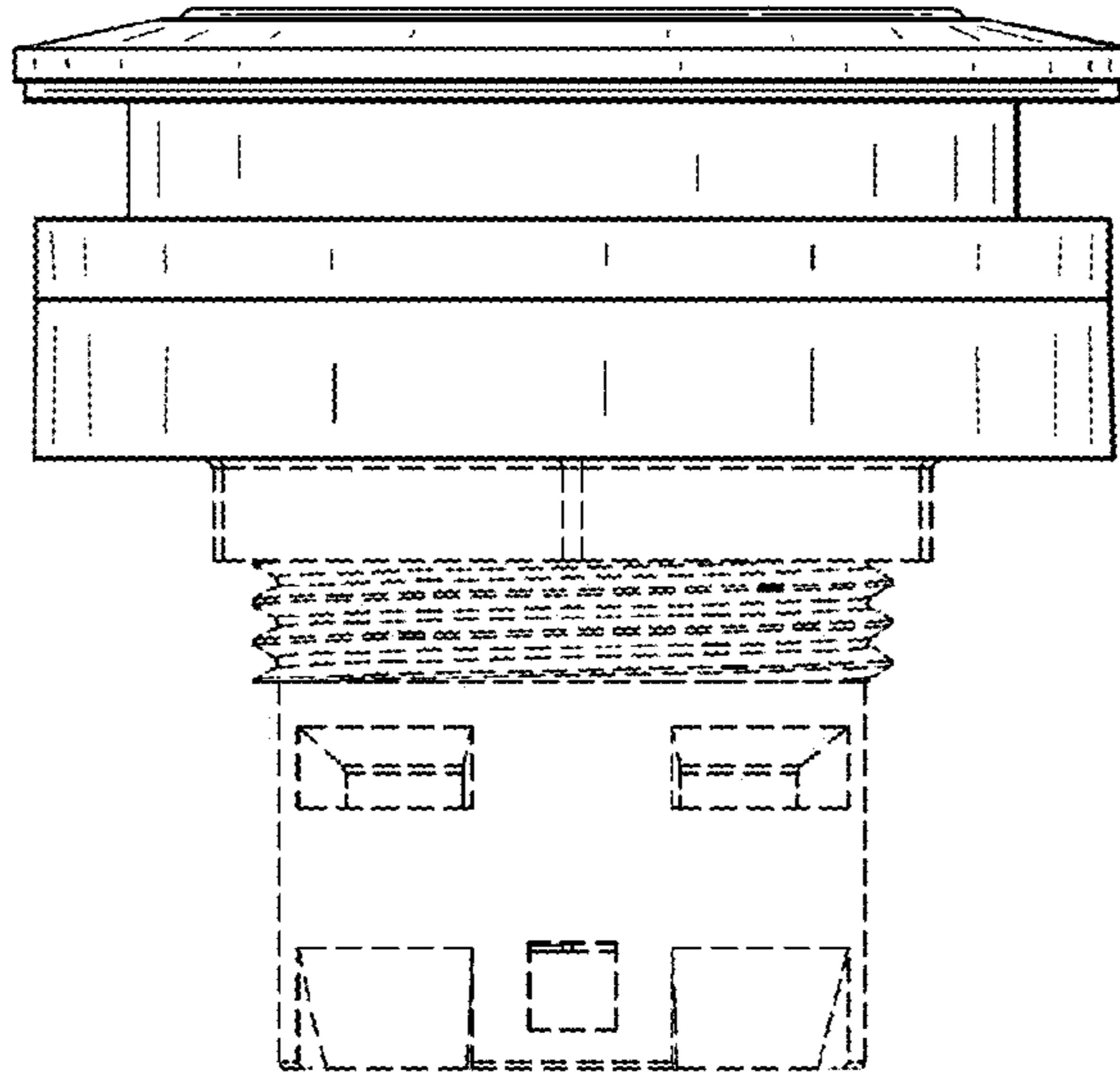


FIG. 3

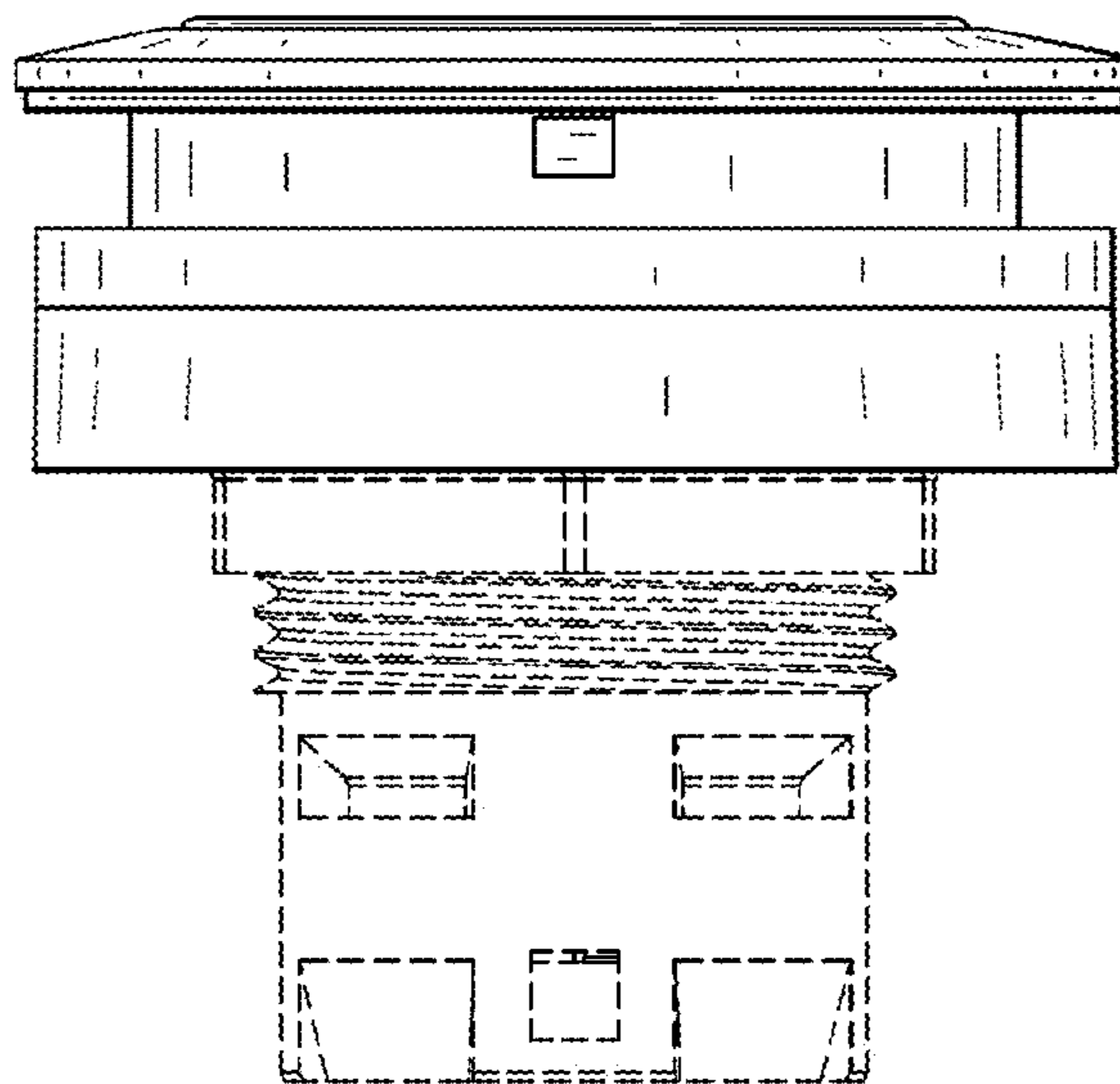


FIG. 4

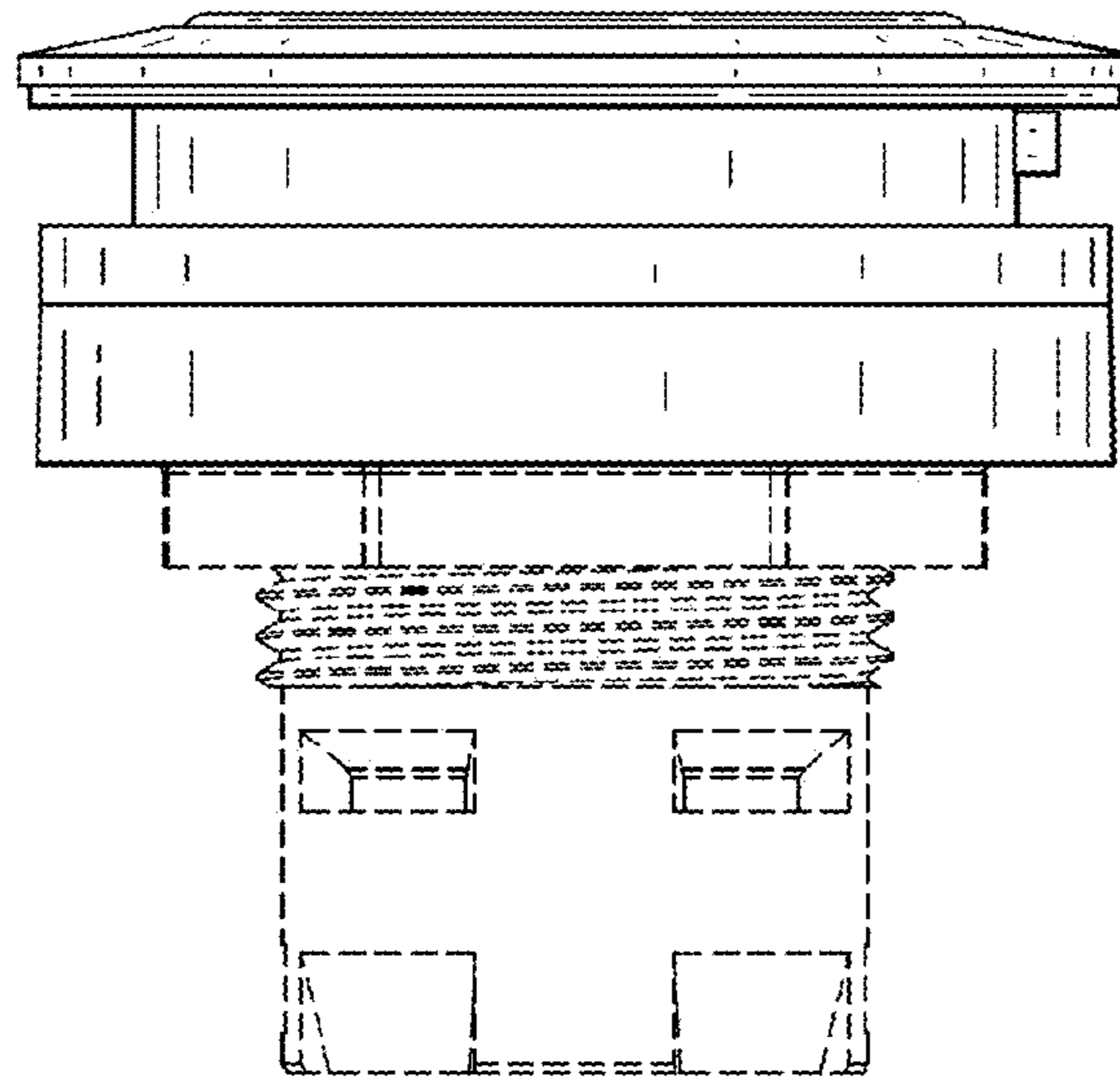


FIG. 5

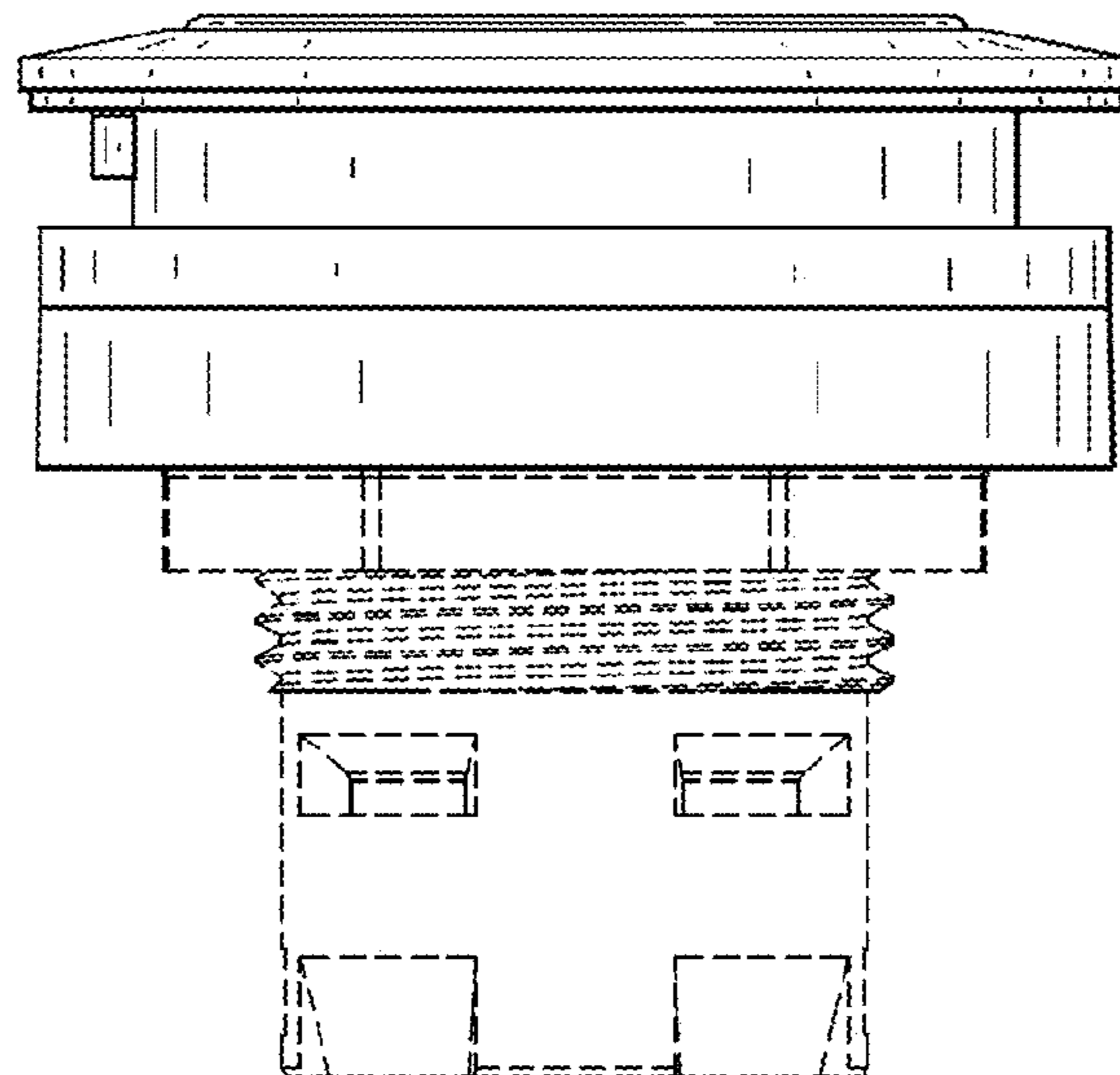


FIG. 6

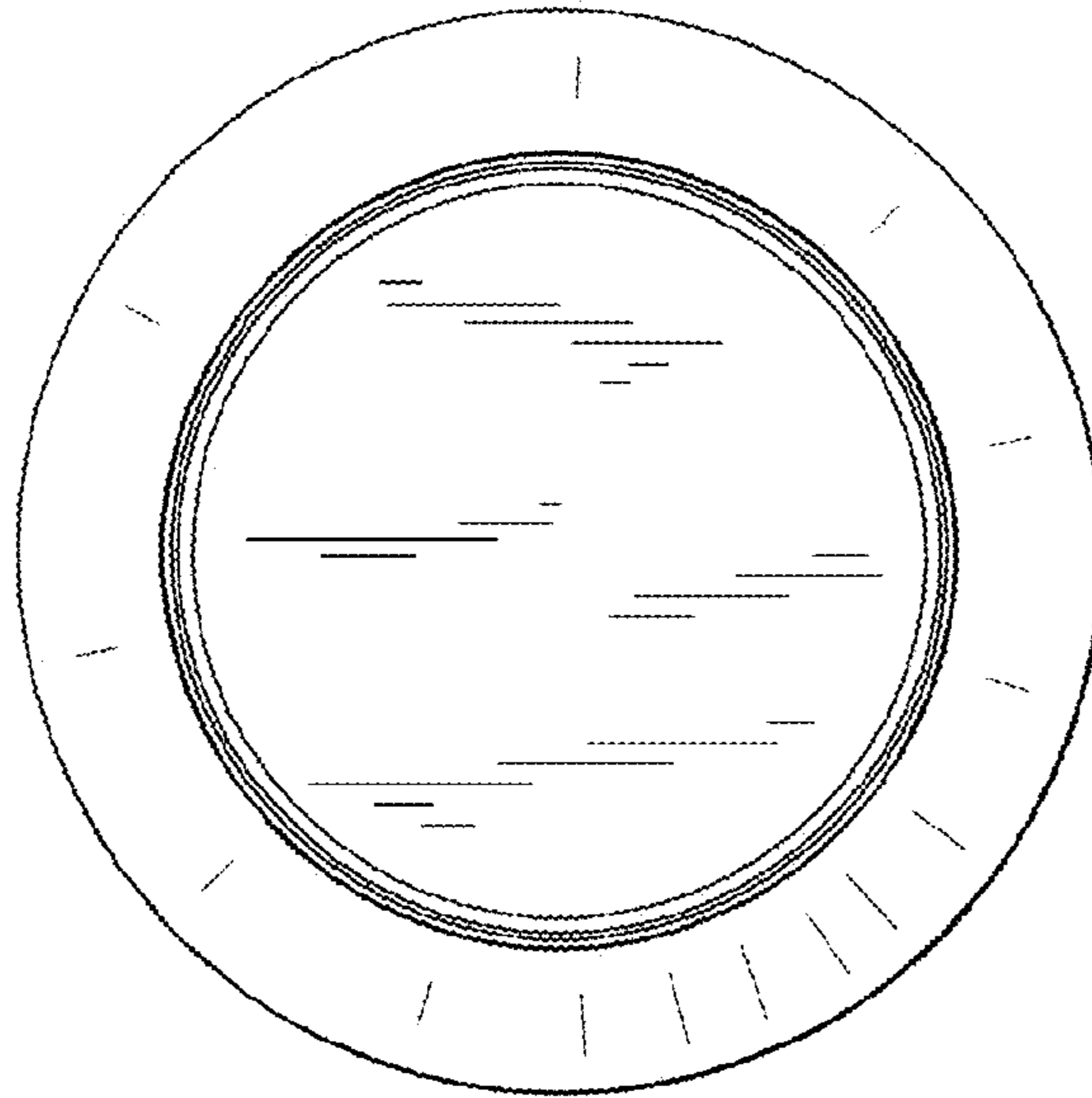
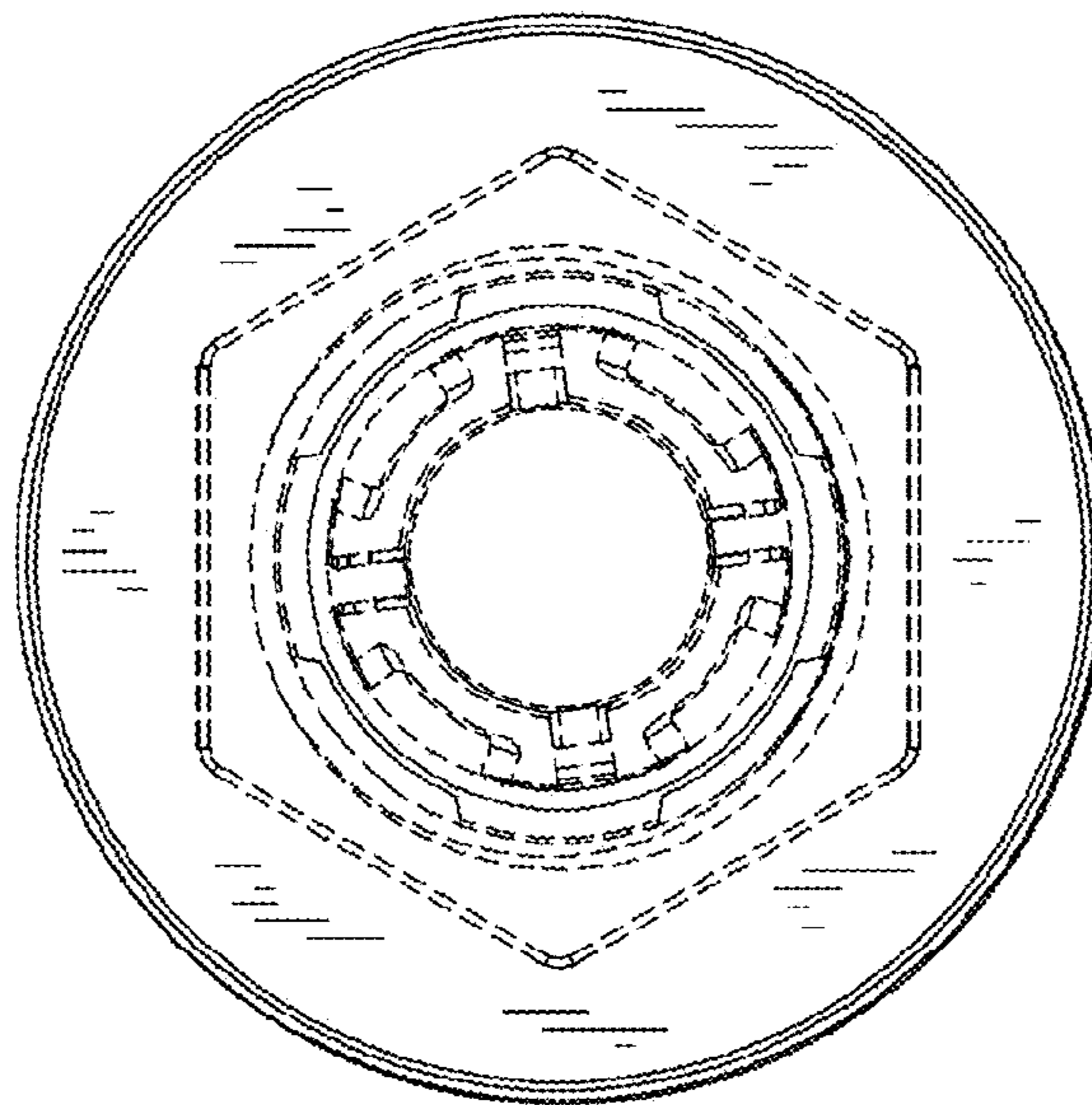


FIG. 7



UNITED STATES PATENT AND TRADEMARK OFFICE
CERTIFICATE OF CORRECTION

PATENT NO. : D725,612 S
APPLICATION NO. : 29/452554
DATED : March 31, 2015
INVENTOR(S) : Christoph Schlegel et al.

Page 1 of 1

It is certified that error appears in the above-identified patent and that said Letters Patent is hereby corrected as shown below:

Title Page, Item (71), Applicant

“Georg Schlegel GmbH & Co. KG, Dürmentingen (DE)” should read -- Georg Schlegel GmbH & Co.
KG, Dürmentingen (DE) --

Title Page, Item (30), Foreign Application Priority Data

“Oct. 22, 2012 (EM)..... 1002122911” should read -- Oct. 22, 2012 (EM)..... 002122911 --

Signed and Sealed this
Seventeenth Day of November, 2015



Michelle K. Lee
Director of the United States Patent and Trademark Office