



US00D725611S

(12) **United States Design Patent**  
**Sakai**

(10) **Patent No.:** **US D725,611 S**  
(45) **Date of Patent:** **\*\* Mar. 31, 2015**

(54) **REMOTE CONTROLLER**  
(71) Applicant: **Yuki Sakai**, Chiyoda-ku (JP)  
(72) Inventor: **Yuki Sakai**, Chiyoda-ku (JP)  
(73) Assignee: **Mitsubishi Electric Corporation**,  
Tokyo (JP)  
(\*\*) Term: **14 Years**  
(21) Appl. No.: **29/440,810**

D514,236 S *	1/2006	Glatz	.....	D25/136
D518,744 S *	4/2006	Rosen	.....	D10/50
D574,088 S *	7/2008	Kercher, III	.....	D25/164
D582,802 S *	12/2008	Branson et al.	.....	D10/50
D583,083 S *	12/2008	Stackenwalt et al.	.....	D25/136
D630,169 S *	1/2011	Nakai et al.	.....	D13/168
D635,556 S *	4/2011	Suzuki	.....	D14/218
D642,383 S *	8/2011	Parisi et al.	.....	D6/300
D665,513 S *	8/2012	Engel	.....	D25/113
D678,218 S *	3/2013	Sheen	.....	D13/168
D678,219 S *	3/2013	Higashijima et al.	.....	D13/168
D696,636 S *	12/2013	Sakai	.....	D13/168
2009/0038250 A1 *	2/2009	Frenkil	.....	52/447

\* cited by examiner

(22) Filed: **Dec. 27, 2012**  
(30) **Foreign Application Priority Data**  
Jul. 17, 2012 (JP) ..... 2012-016883  
(51) **LOC (10) Cl.** ..... **14-03**  
(52) **U.S. Cl.**  
USPC ..... **D13/173; D13/168**  
(58) **Field of Classification Search**  
USPC ..... D13/168, 173; D10/49, 50, 104.1,  
D10/106.1; D14/126, 128, 129, 203.7, 218,  
D14/341, 496, 500, 501; D23/351; D25/42,  
D25/43, 136; D26/138; 165/238;  
315/158.295; 340/4.3, 4.42, 12.22,  
340/12.23, 12.24, 12.29, 12.3, 13.2, 13.21,  
340/13.24; 341/176; 348/734; 455/352;  
700/17, 65, 83, 86, 276, 277  
See application file for complete search history.

*Primary Examiner* — Selina Sikder  
(74) *Attorney, Agent, or Firm* — Sughrue Mion, PLLC

(57) **CLAIM**  
The ornamental design for a remote controller, as shown and described.

(56) **References Cited**  
U.S. PATENT DOCUMENTS  
3,007,678 A \* 11/1961 Buehler ..... 256/65.07  
D330,434 S \* 10/1992 Watters ..... D25/136  
D431,232 S \* 9/2000 Yokoyama et al. .... D14/128  
6,112,424 A \* 9/2000 Friend ..... 33/527  
D478,894 S \* 8/2003 Oikawa ..... D14/218

**DESCRIPTION**

FIG. 1 is a front, top and right side perspective view of a remote controller, showing my new design;  
FIG. 2 is a rear, bottom and left side perspective view thereof;  
FIG. 3 is a front elevational view thereof;  
FIG. 4 is a rear elevational view thereof;  
FIG. 5 is a left side elevational view thereof;  
FIG. 6 is a right side elevational view thereof;  
FIG. 7 is a top plan view thereof;  
FIG. 8 is a bottom plan view thereof; and,  
FIG. 9 is a reference vertical cross-sectional view thereof; taken in the direction of line 9-9 in FIG. 3, with broken line disclosure of internal elements understood to represent unclaimed portions of the article in which the claimed design is embodied.  
The broken lines in all views are shown for illustrative purposes only and form no part of the claimed design.

**1 Claim, 7 Drawing Sheets**

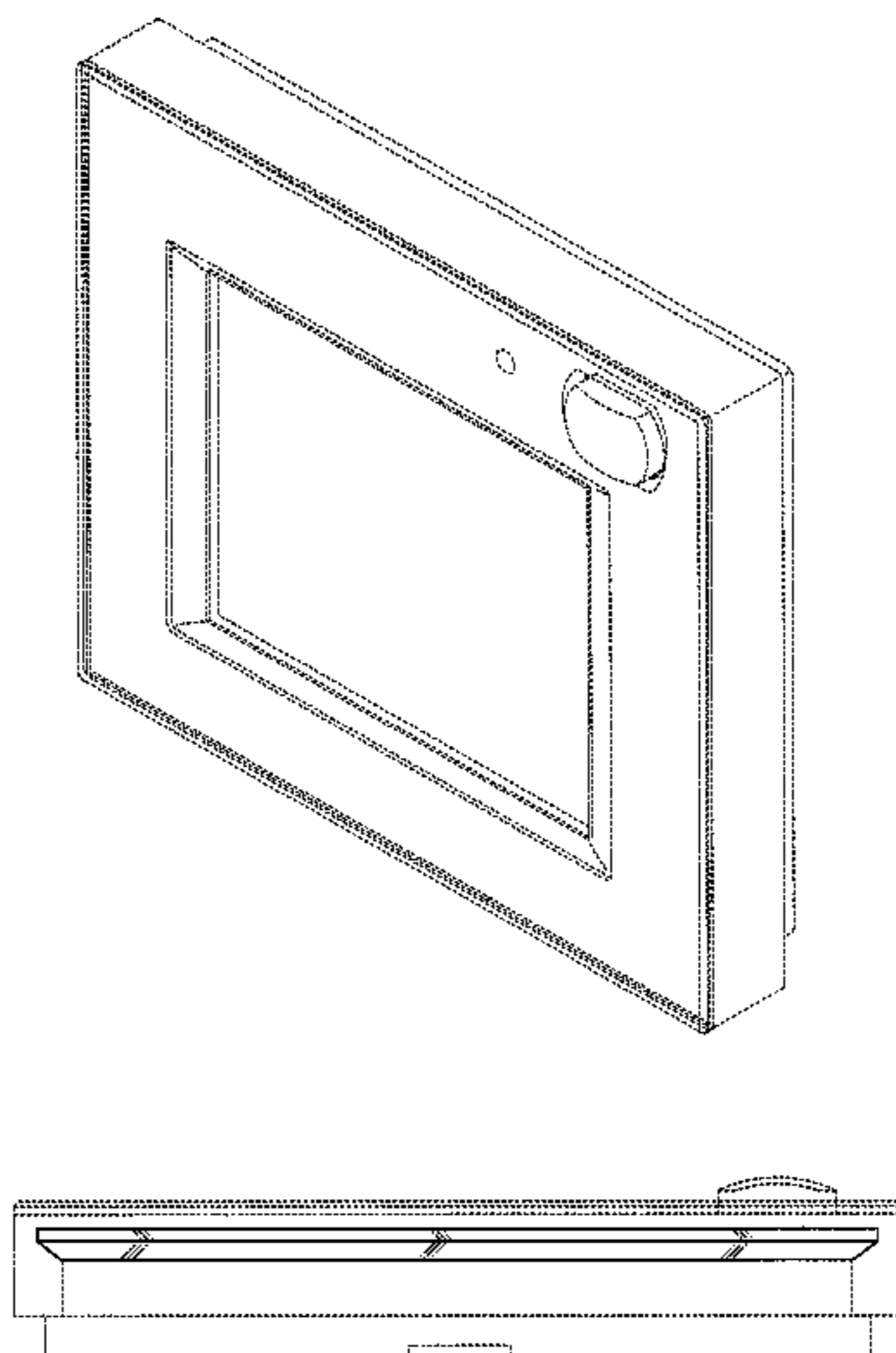


Fig. 1

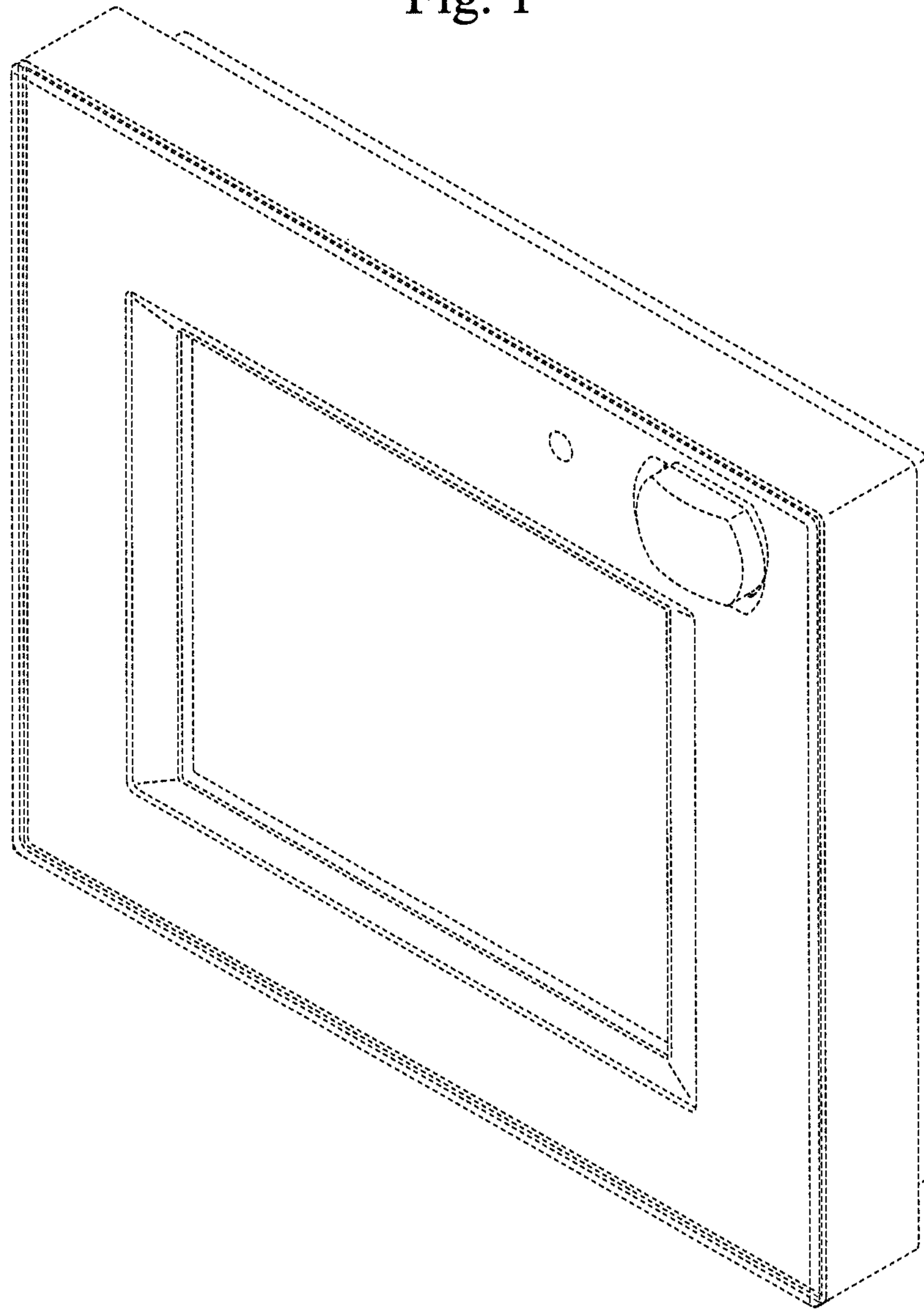


Fig. 2

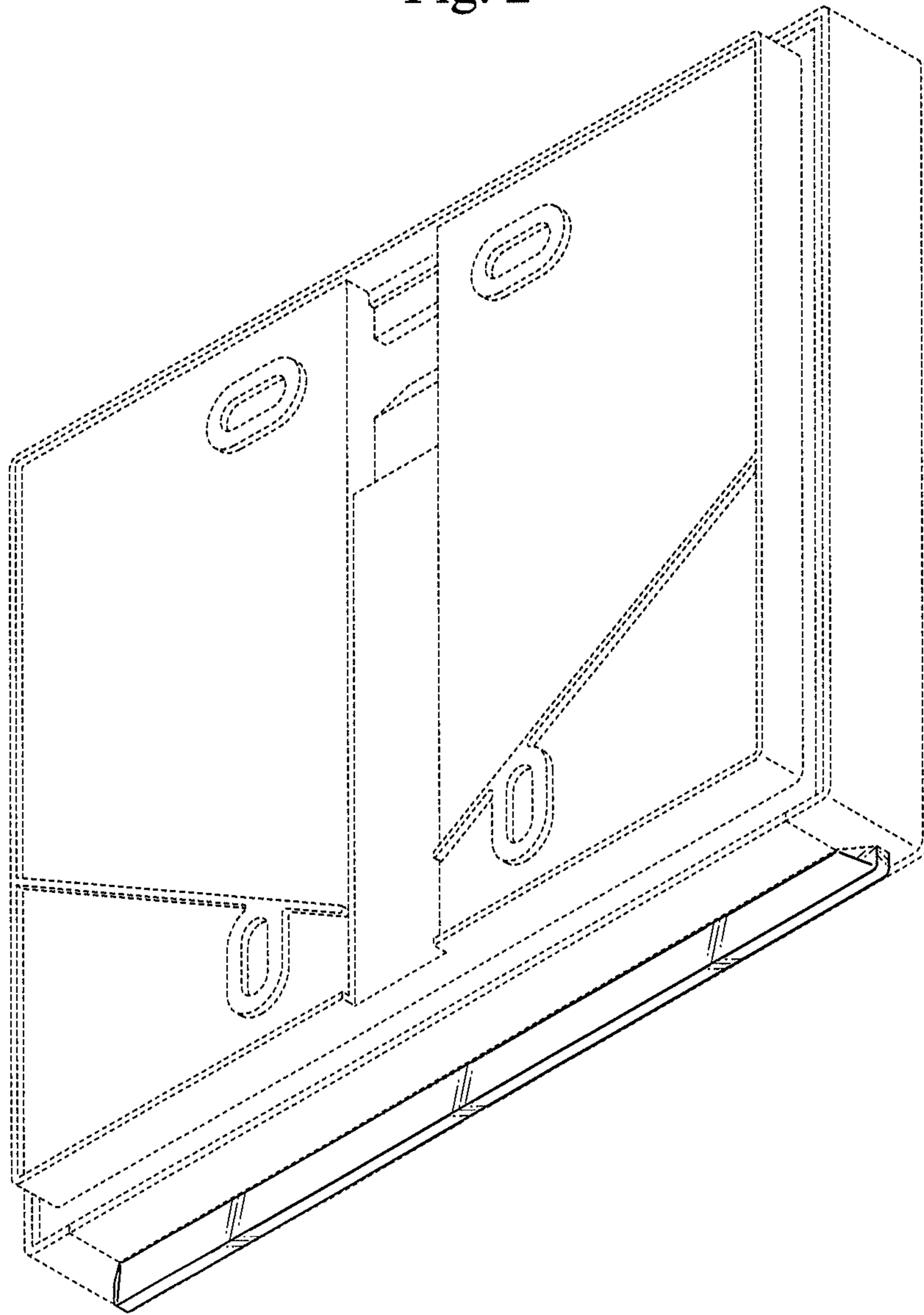


Fig. 3

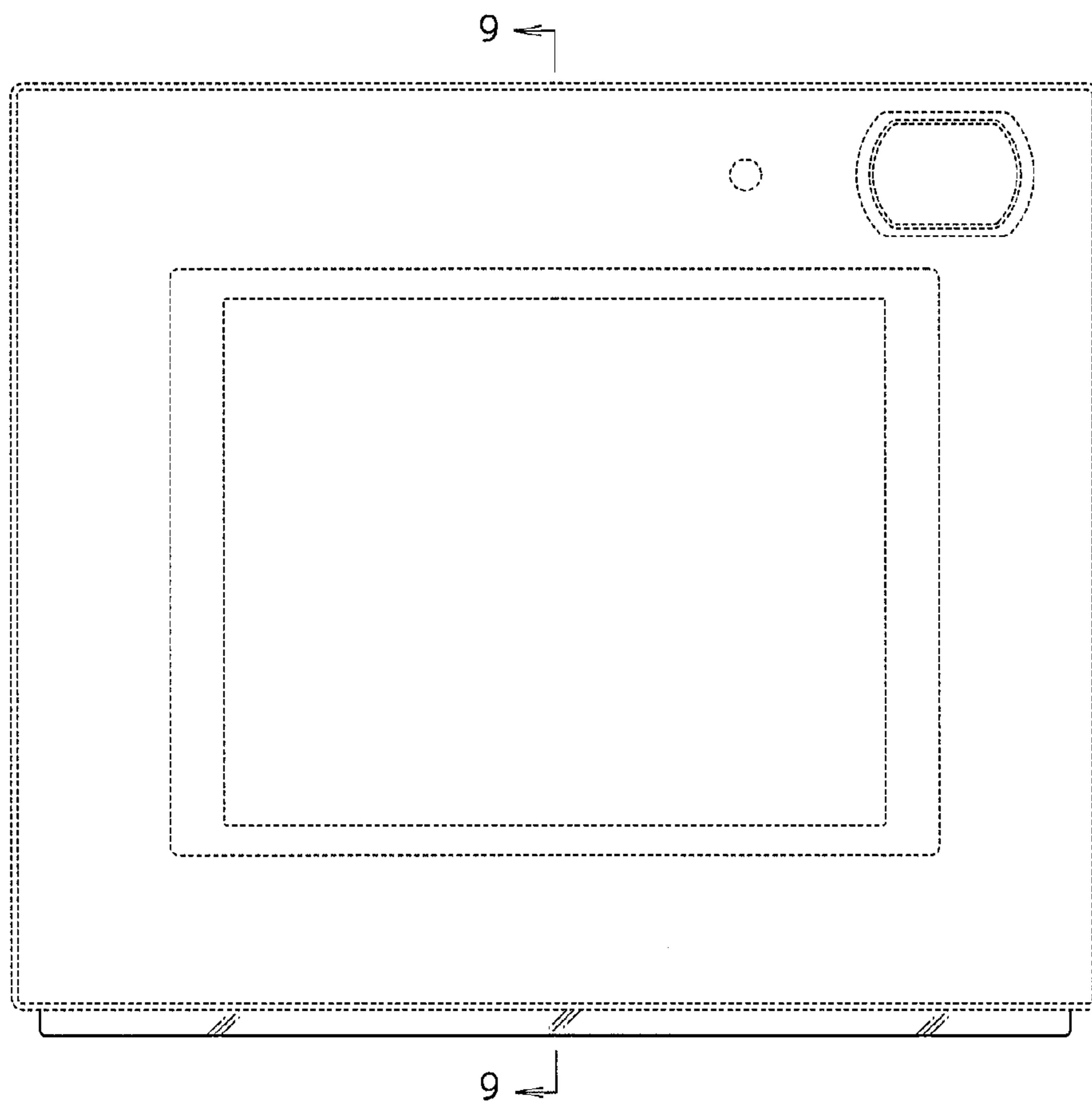


Fig. 4

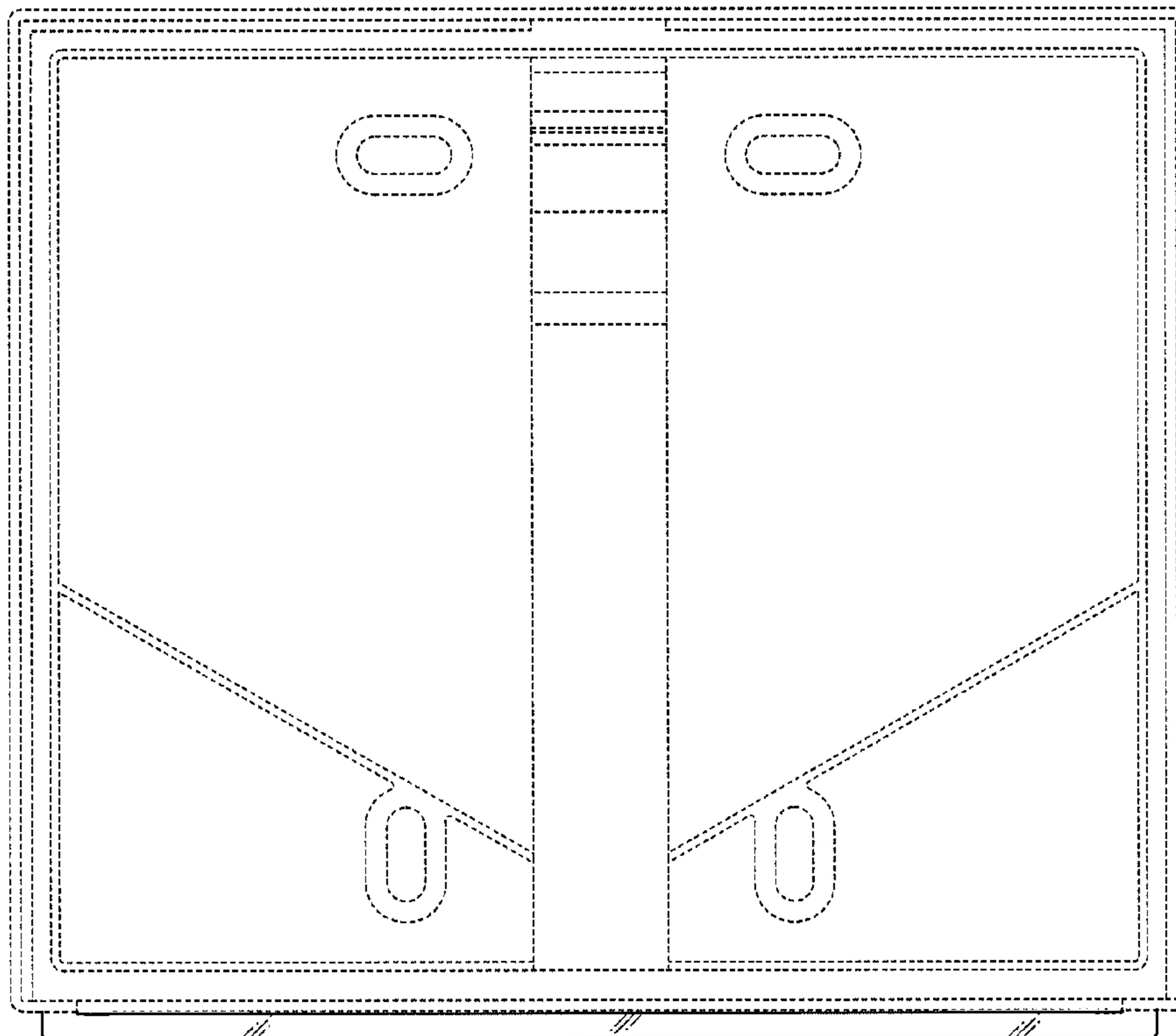


Fig. 5

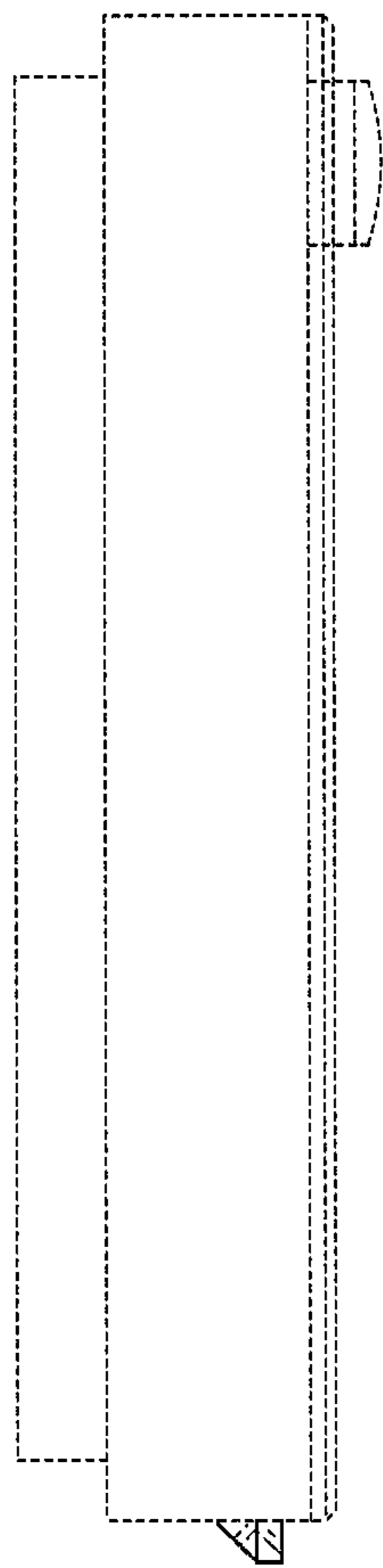


Fig. 6

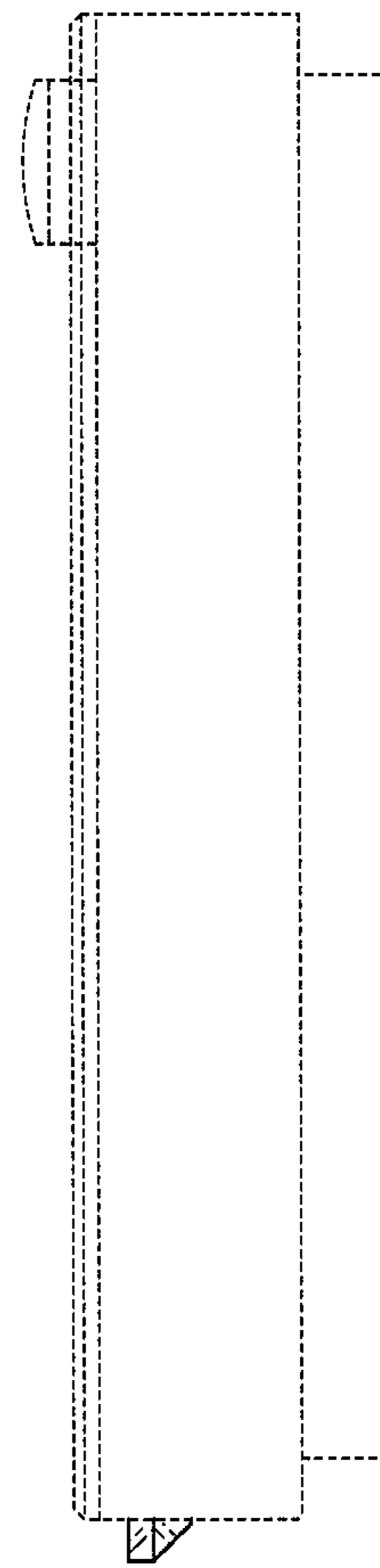


Fig. 7

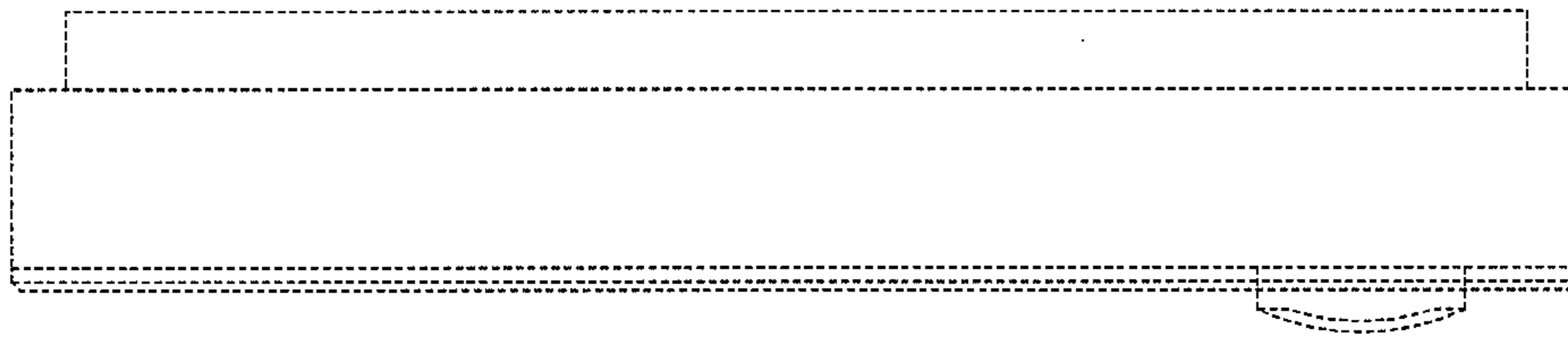


Fig. 8

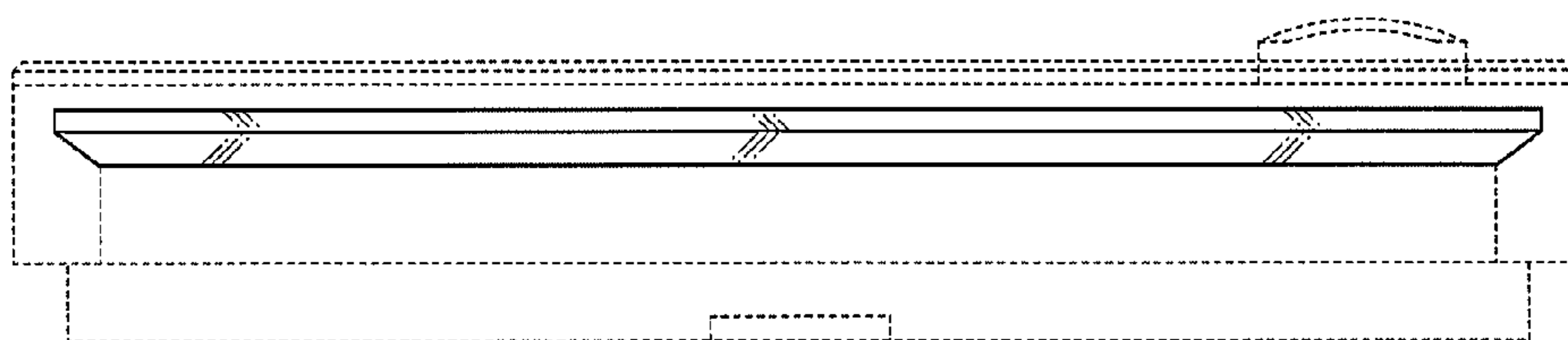


Fig. 9

