



US00D725610S

(12) **United States Design Patent**  
**Dasbach**

(10) **Patent No.:** **US D725,610 S**  
(45) **Date of Patent:** **\*\* Mar. 31, 2015**

(54) **REMOTE CONTROLLER**  
(71) Applicant: **Robert Bosch GmbH**, Stuttgart (DE)  
(72) Inventor: **Gregor Dasbach**, Reutlingen (DE)  
(73) Assignee: **Robert Bosch GmbH**, Stuttgart (DE)  
(\*\*) Term: **14 Years**

7,667,958	B2 *	2/2010	Ueda	361/679.26
RE41,194	E *	4/2010	Nishimoto et al.	361/679.01
7,915,554	B2 *	3/2011	Ueda et al.	200/315
D640,608	S *	6/2011	Funabiki et al.	D12/114
RE42,686	E *	9/2011	Shimizu	D13/168
D693,332	S *	11/2013	Lee et al.	D14/218
D702,194	S *	4/2014	Cho	D13/162
D711,756	S *	8/2014	Dasbach	D10/98
2003/0234163	A1 *	12/2003	Ichida et al.	200/4
2008/0302648	A1 *	12/2008	Malfois et al.	200/6 A
2009/0021414	A1 *	1/2009	Breton et al.	341/176

(21) Appl. No.: **29/482,886**

(22) Filed: **Feb. 23, 2014**

(30) **Foreign Application Priority Data**

Aug. 23, 2013 (EM) ..... 002295584

(51) **LOC (10) Cl.** ..... **13-03**

(52) **U.S. Cl.**  
USPC ..... **D13/168; D10/98**

(58) **Field of Classification Search**  
USPC ..... D13/168, 171; D10/70, 98, 103;  
D12/114; 74/551.1, 551.8; 200/5 R,  
200/5 A, 6 A, 4, 302.2, 520, 530, 293, 296,  
200/308, 310, 314, 315, 341; 307/139, 157;  
315/209 R, 224, 246, 291, 294, 295;  
340/432; 361/679.01; 362/474  
See application file for complete search history.

(56) **References Cited**

**U.S. PATENT DOCUMENTS**

D320,785	S *	10/1991	Ruttgerodt	D13/168
6,523,772	B2 *	2/2003	Ueno	242/400.1
6,631,656	B2 *	10/2003	Ase et al.	74/551.8
6,734,376	B2 *	5/2004	Ichida et al.	200/4
D520,963	S *	5/2006	Krauss	D13/168
D521,460	S *	5/2006	Shimizu	D13/168
D598,008	S *	8/2009	Shimizu	D14/218

\* cited by examiner

*Primary Examiner* — Selina Sikder

(74) *Attorney, Agent, or Firm* — Maginot, Moore & Beck LLP

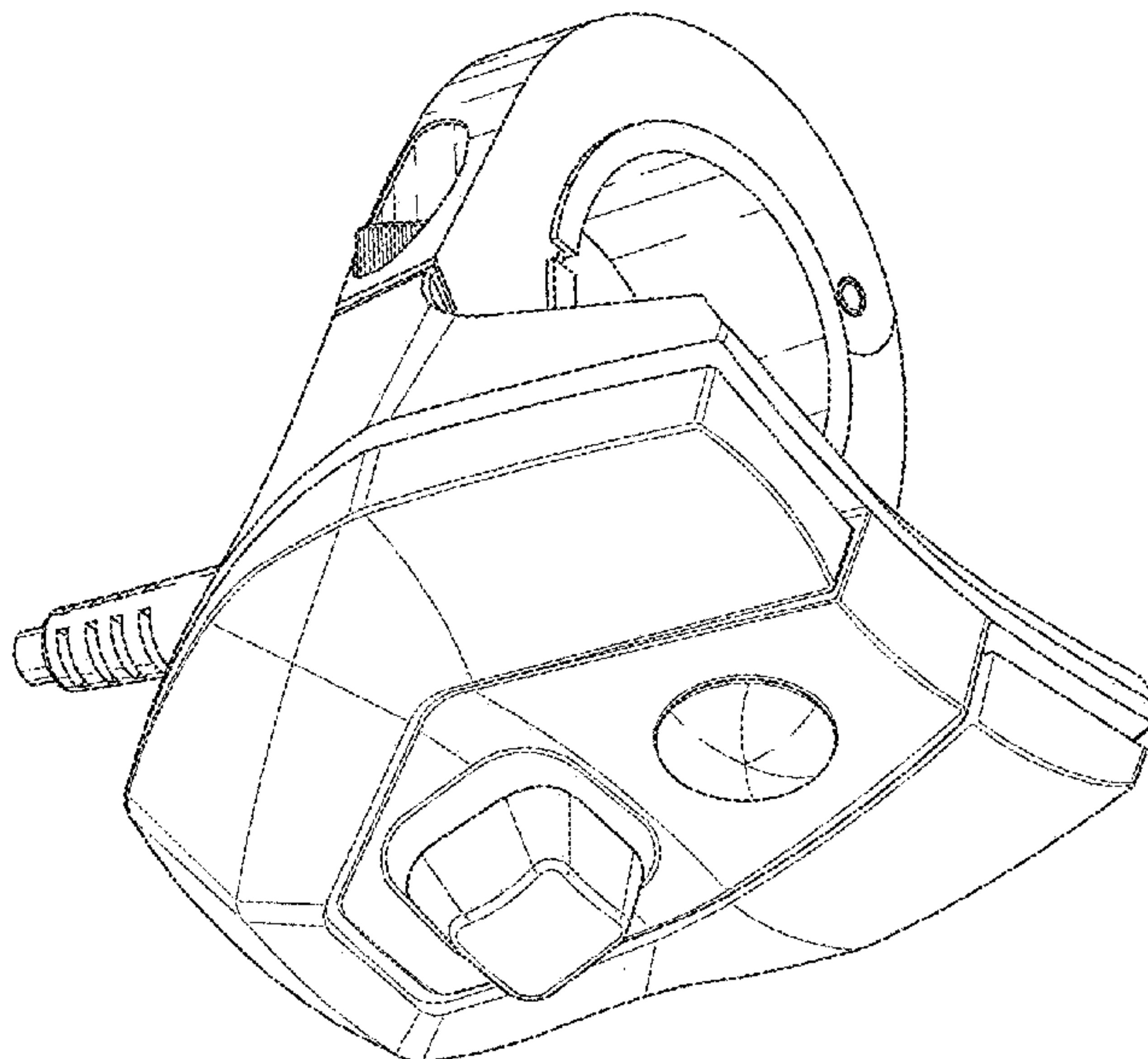
(57) **CLAIM**

The ornamental design for a remote controller, as shown and described.

**DESCRIPTION**

FIG. 1 is a perspective view of a remote controller showing my new design;  
FIG. 2 is a left side elevational view showing the design for the remote controller of FIG. 1;  
FIG. 3 is a right side elevational view showing the design for the remote controller of FIG. 1;  
FIG. 4 is a bottom plan view showing the design for the remote controller of FIG. 1;  
FIG. 5 is a top plan view showing the design for the remote controller of FIG. 1;  
FIG. 6 is a front elevational view showing the design for the remote controller of FIG. 1; and,  
FIG. 7 is a rear elevational view showing the design for the remote controller of FIG. 1.

**1 Claim, 7 Drawing Sheets**



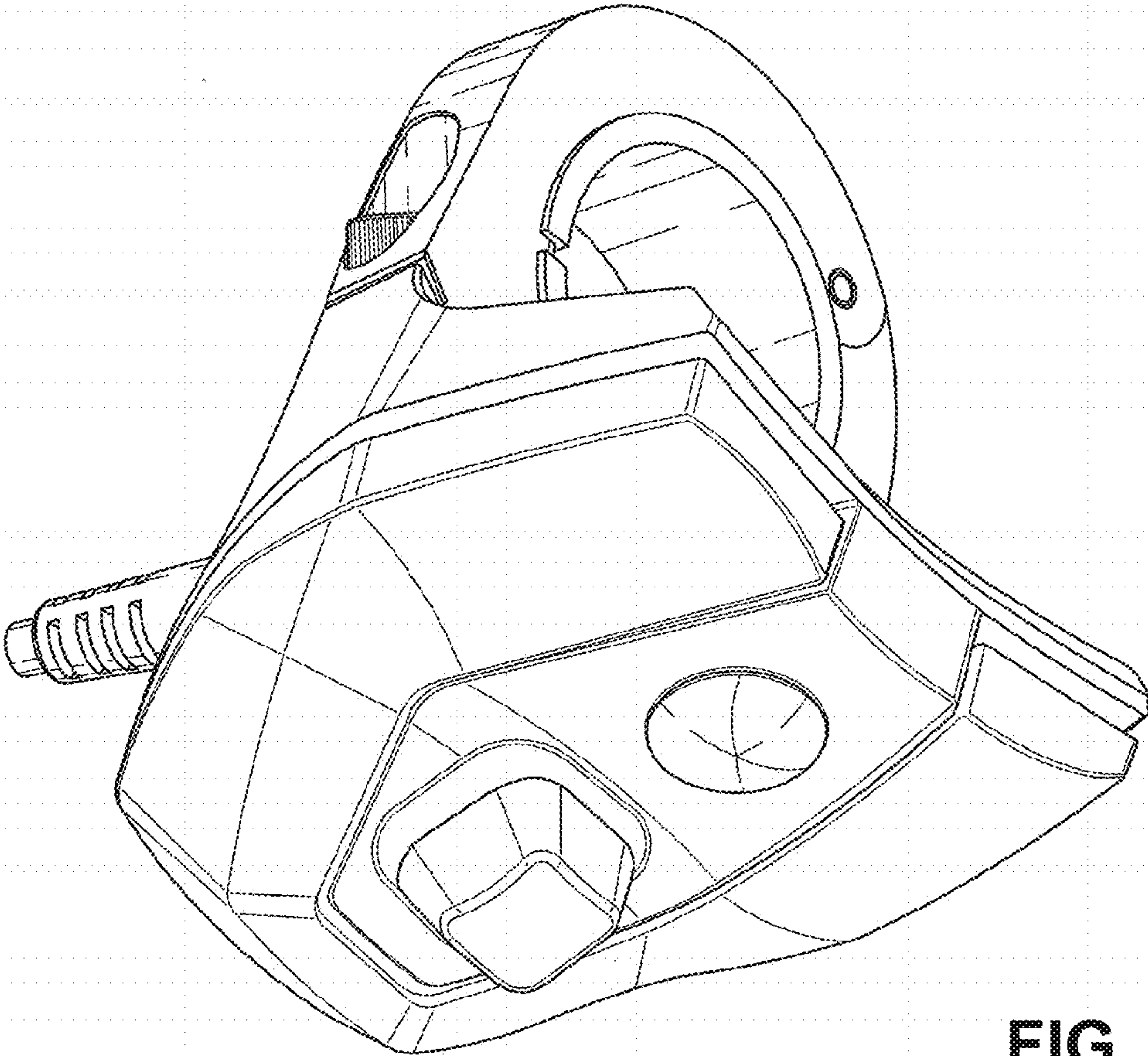


FIG. 1

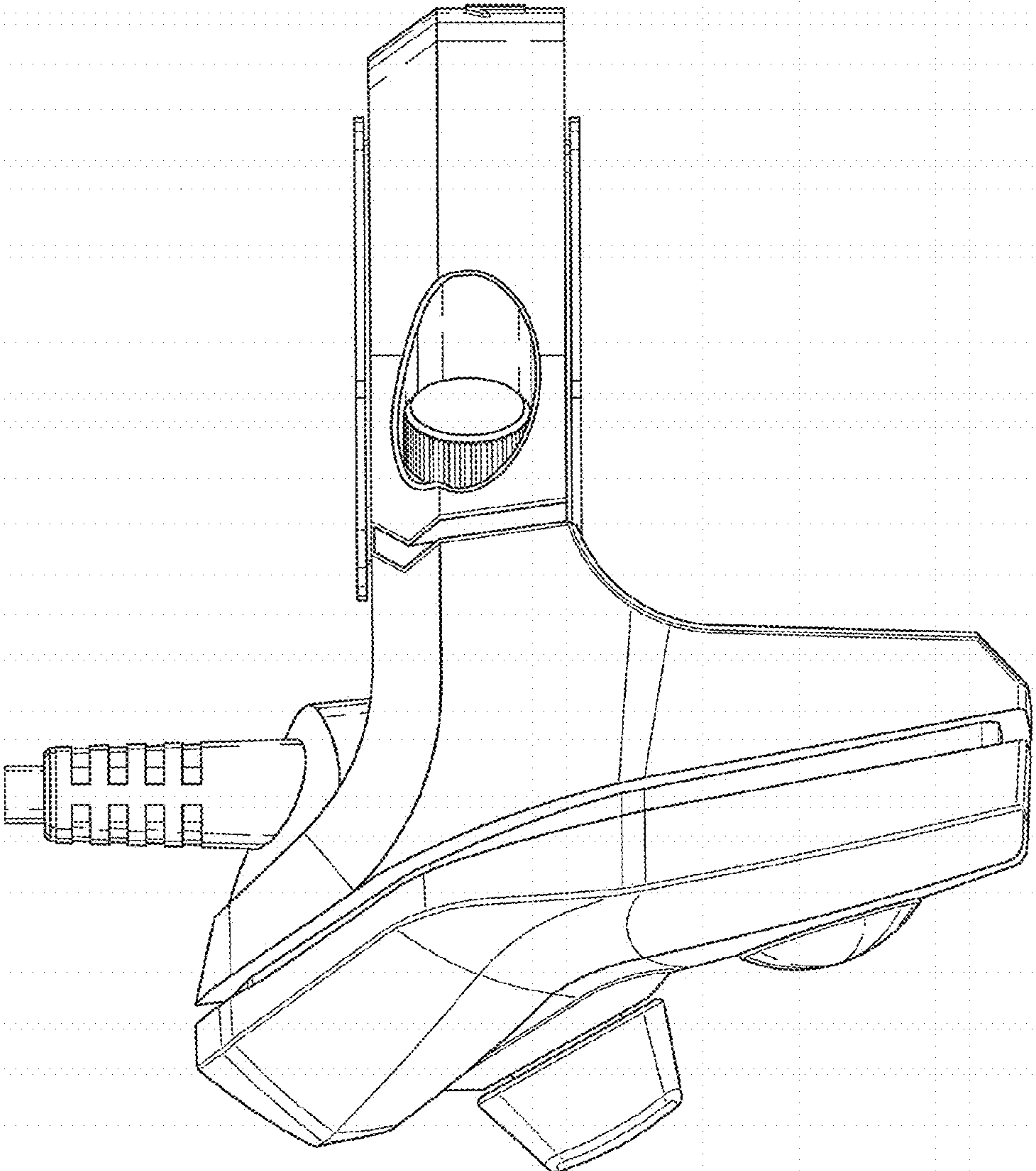


FIG. 2



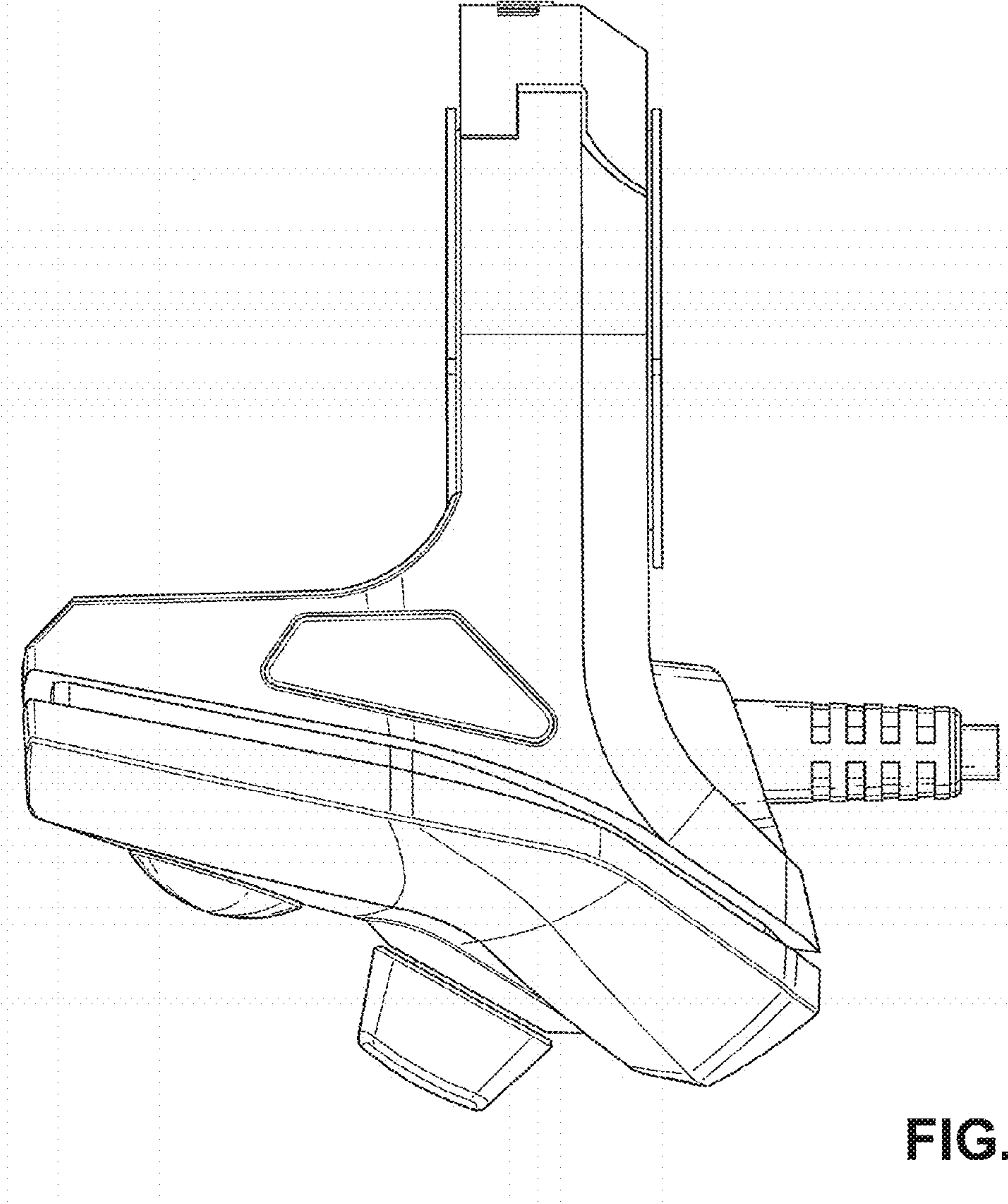


FIG. 3

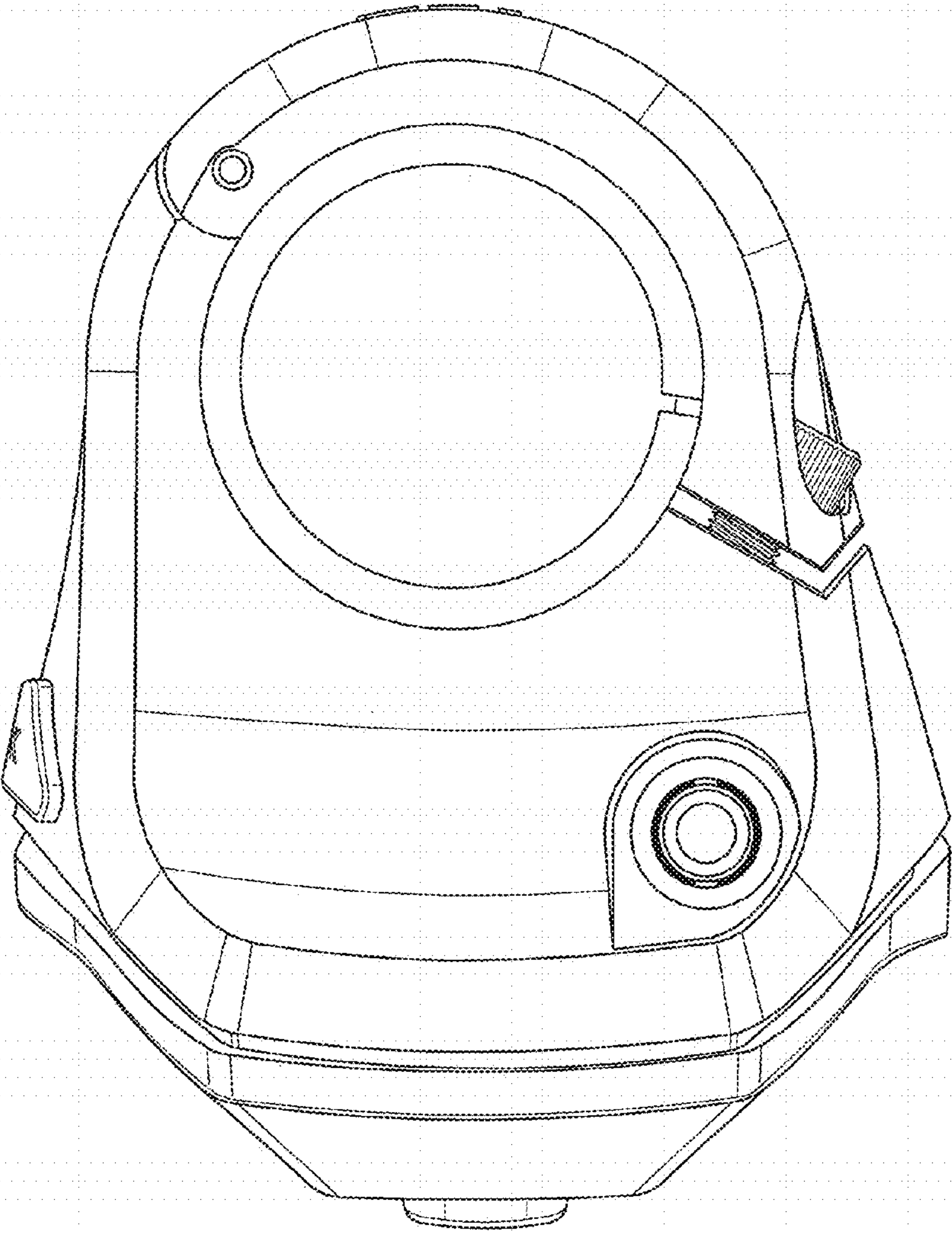


FIG. 4

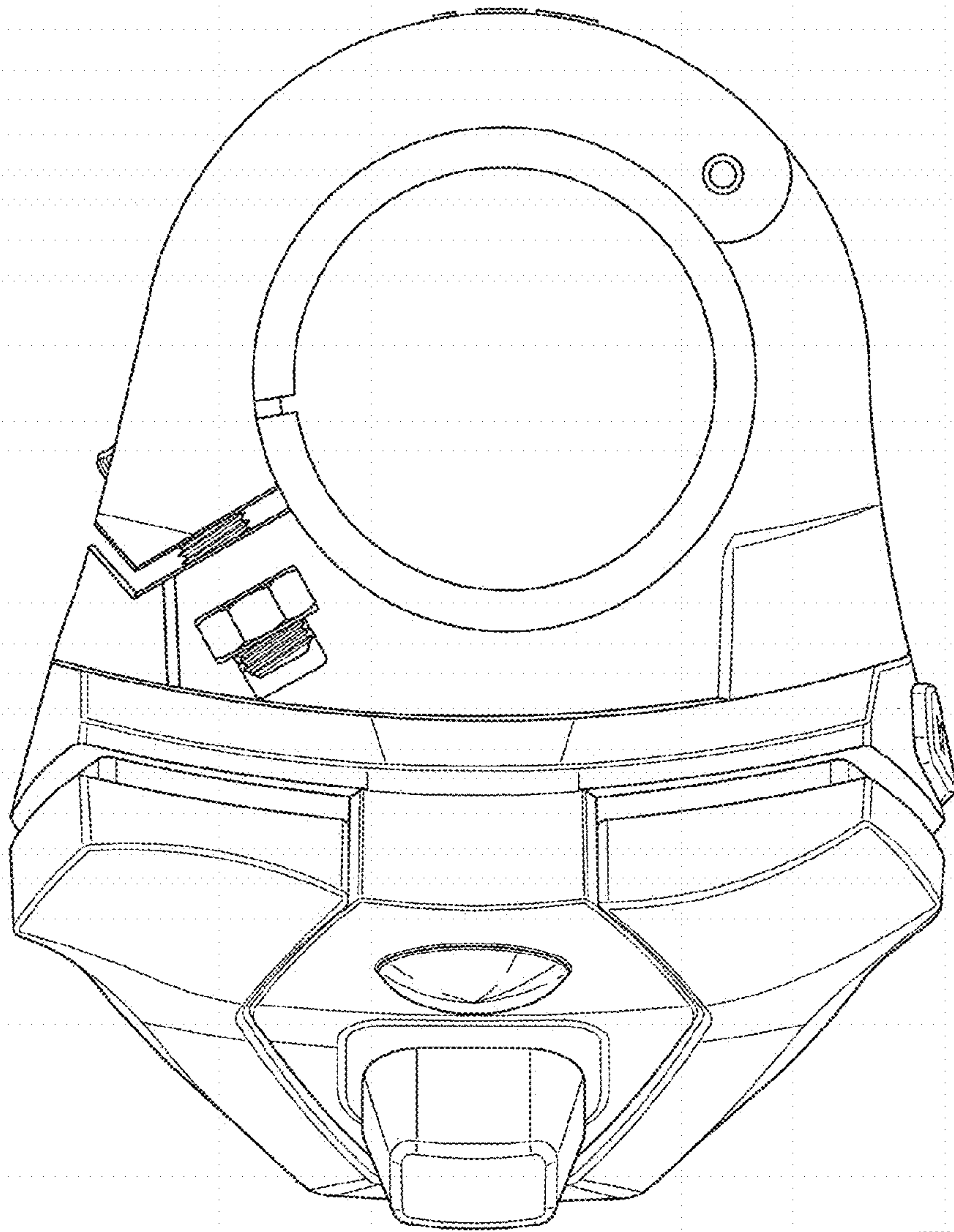


FIG. 5

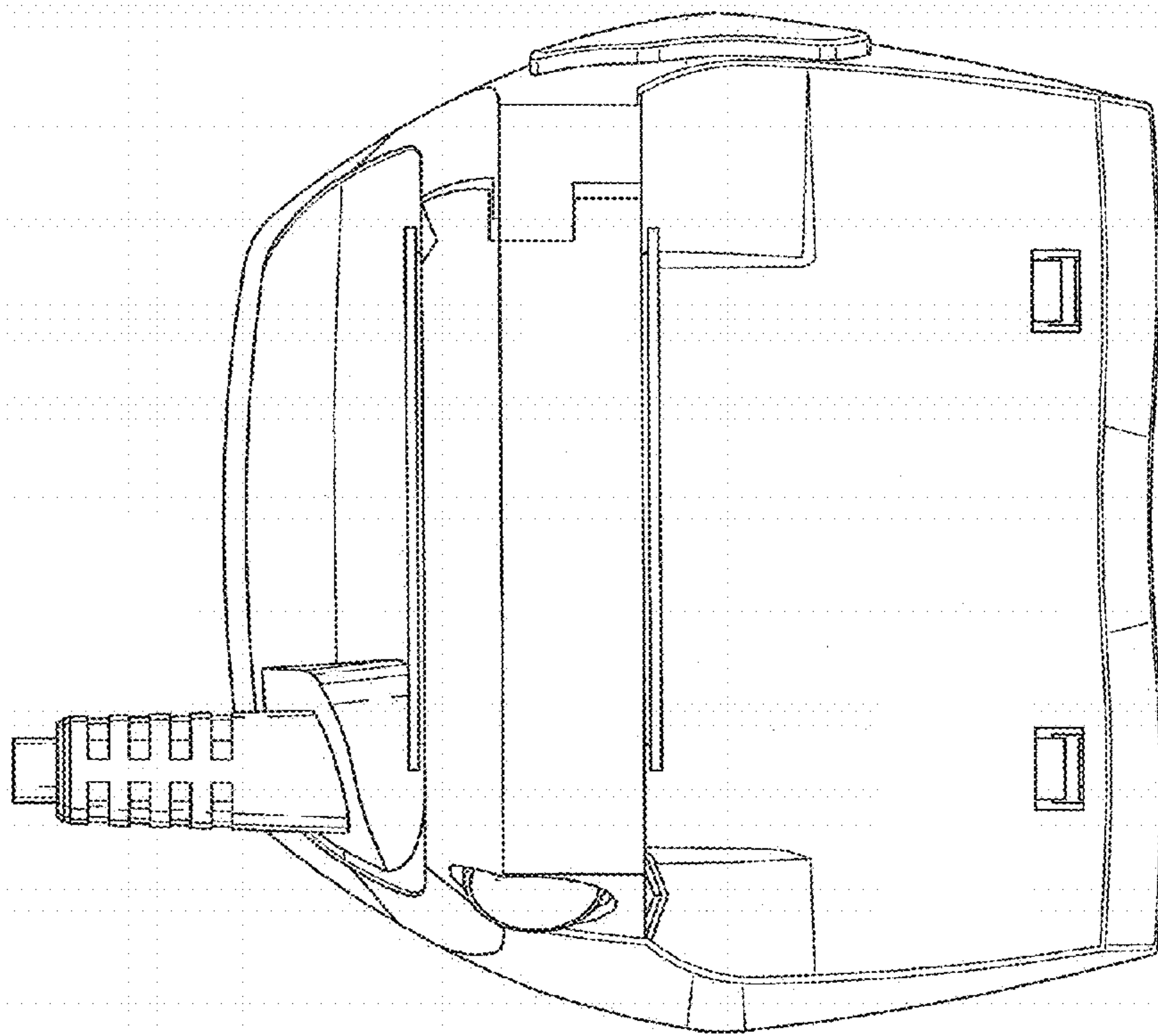


FIG. 6

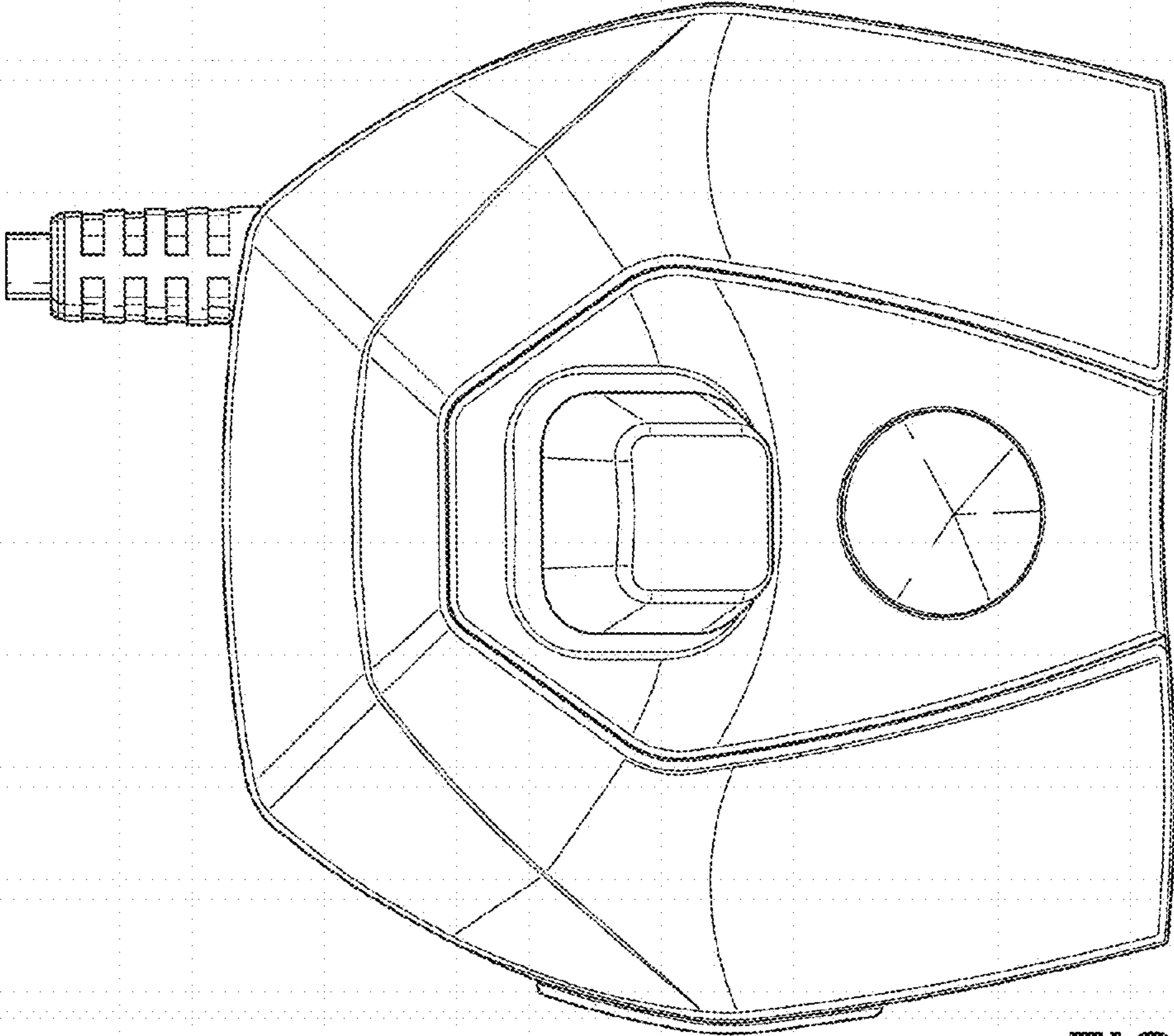


FIG. 7