



US00D725608S

(12) **United States Design Patent**  
**Kosuge**

(10) **Patent No.:** **US D725,608 S**

(45) **Date of Patent:** **\*\* Mar. 31, 2015**

(54) **REMOTE CONTROLLER FOR BOILER**

(56) **References Cited**

(71) Applicant: **Hiroyasu Kosuge**, Kusatsu (JP)

U.S. PATENT DOCUMENTS

(72) Inventor: **Hiroyasu Kosuge**, Kusatsu (JP)

D297,419 S *	8/1988	Bonnema et al.	.....	D10/50
D381,960 S *	8/1997	Chandler	.....	D13/164
D390,134 S *	2/1998	Ingebritson et al.	.....	D10/50
D410,633 S *	6/1999	Tsui	.....	D13/168
D449,586 S *	10/2001	Aketa et al.	.....	D13/168
D464,328 S *	10/2002	Vasquez et al.	.....	D13/164
D493,148 S *	7/2004	Shibata et al.	.....	D13/168
D520,883 S *	5/2006	Hillard et al.	.....	D10/50
D537,417 S *	2/2007	Dukerschein et al.	.....	D13/164
D591,186 S *	4/2009	Haley et al.	.....	D10/106.1
D623,606 S *	9/2010	Nakai et al.	.....	D13/168
D661,662 S *	6/2012	Kikuchi et al.	.....	D13/168
D678,219 S *	3/2013	Higashijima et al.	.....	D13/168
D693,315 S *	11/2013	Sakai et al.	.....	D13/168

(73) Assignee: **Daikin Industries Ltd.**, Osaka-Shi,  
Osaka-Fu (JP)

(\*\*) Term: **14 Years**

(21) Appl. No.: **29/479,151**

(22) Filed: **Jan. 13, 2014**

(30) **Foreign Application Priority Data**

Sep. 20, 2013 (JP) ..... 2013-021835

(51) **LOC (10) Cl.** ..... **14-03**

(52) **U.S. Cl.**  
USPC ..... **D13/168**

(58) **Field of Classification Search**

CPC ..... H03J 1/0025; H03J 9/00; H03J 9/02;  
H03J 9/04; H03J 9/06; H01H 9/0235; H04B  
1/202; G05B 11/01; G08C 17/00; G08C  
17/02; G08C 19/28; G08C 23/04; G08C  
2201/20; G08C 2201/30; G08C 2201/33;  
G08C 2201/40; F24F 11/0012; F24F 11/0009;  
F24F 2011/0068  
USPC ..... D13/168; D10/319; D14/218; D23/319;  
122/448.3; 236/14; 340/4.3, 4.42,  
340/12.22, 12.23, 12.24, 12.29, 12.3, 12.55,  
340/13.2, 13.21, 13.24; 341/176; 700/17,  
700/65, 282

See application file for complete search history.

\* cited by examiner

*Primary Examiner* — Selina Sikder

(74) *Attorney, Agent, or Firm* — Manabu Kanesaka

(57) **CLAIM**

The ornamental design for a remote controller for boiler, as shown and described.

**DESCRIPTION**

FIG. 1 is a perspective view of a remote controller for boiler showing my new design;  
FIG. 2 is a front view thereof;  
FIG. 3 is a rear view thereof;  
FIG. 4 is a plan view thereof;  
FIG. 5 is a bottom view thereof;  
FIG. 6 is a left side view thereof;  
FIG. 7 is a right side view thereof; and,  
FIG. 8 is a cross-sectional view thereof taken along line 8-8 in FIG. 2.

**1 Claim, 5 Drawing Sheets**

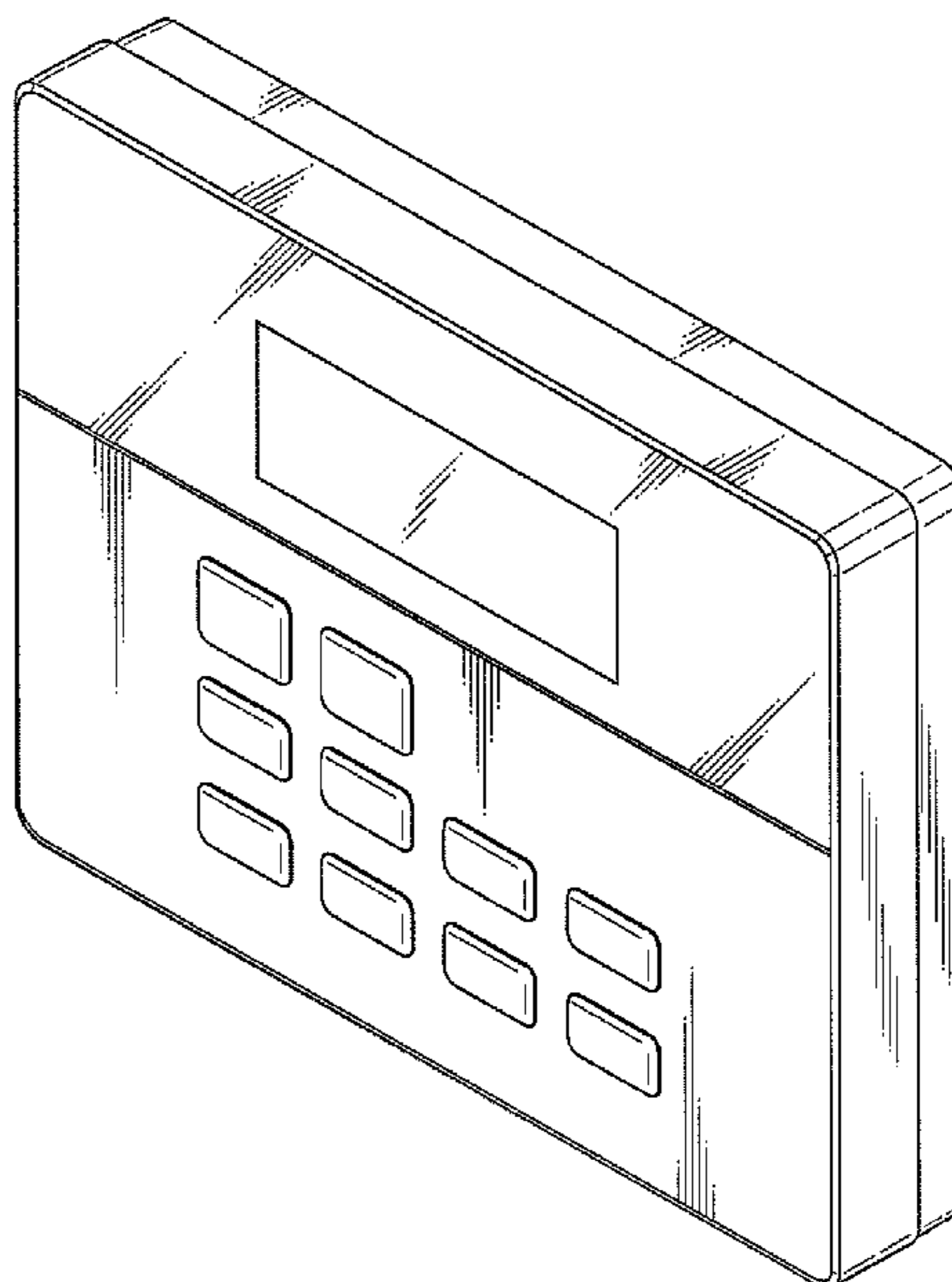


Fig. 1

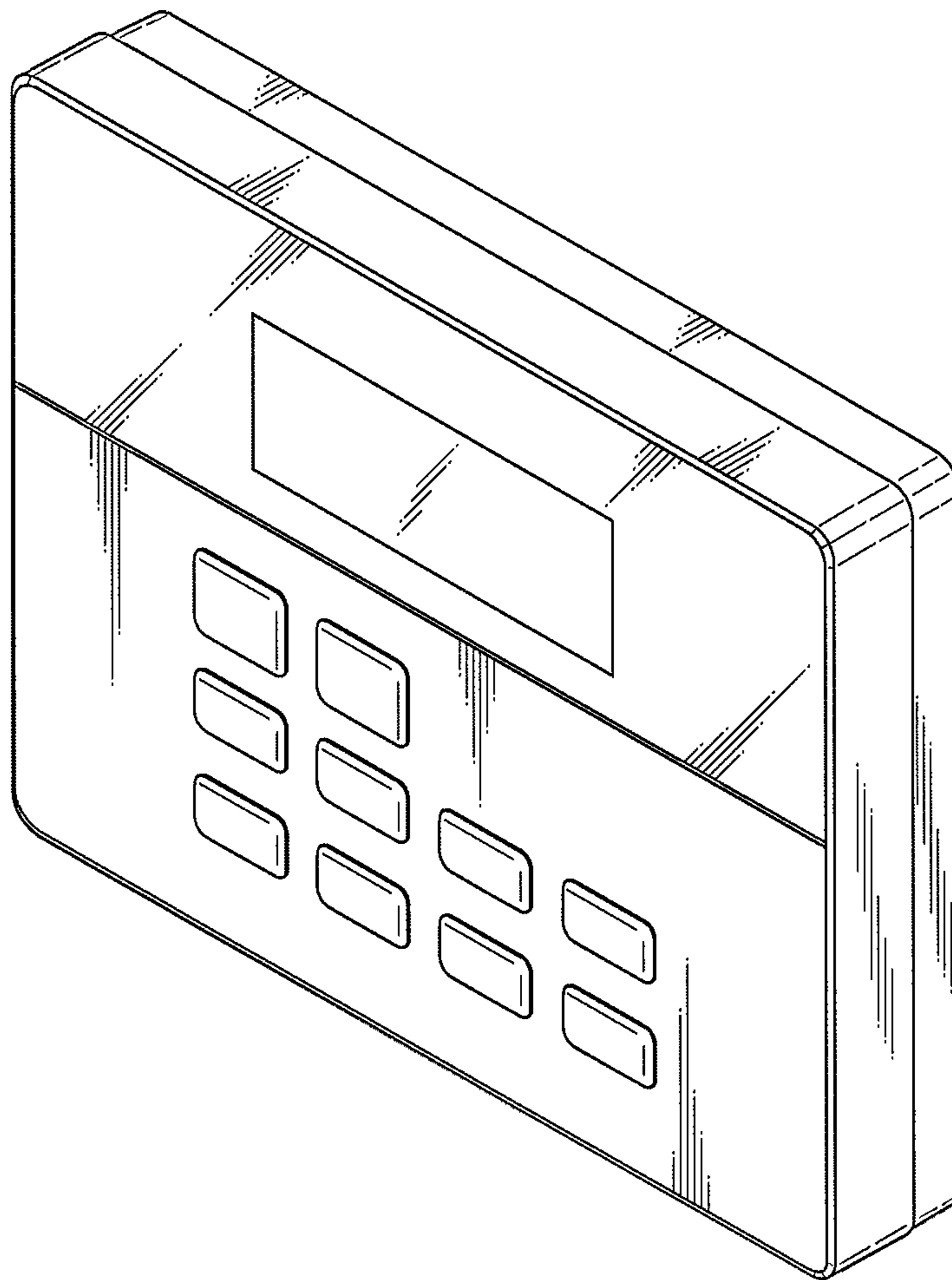


Fig. 2

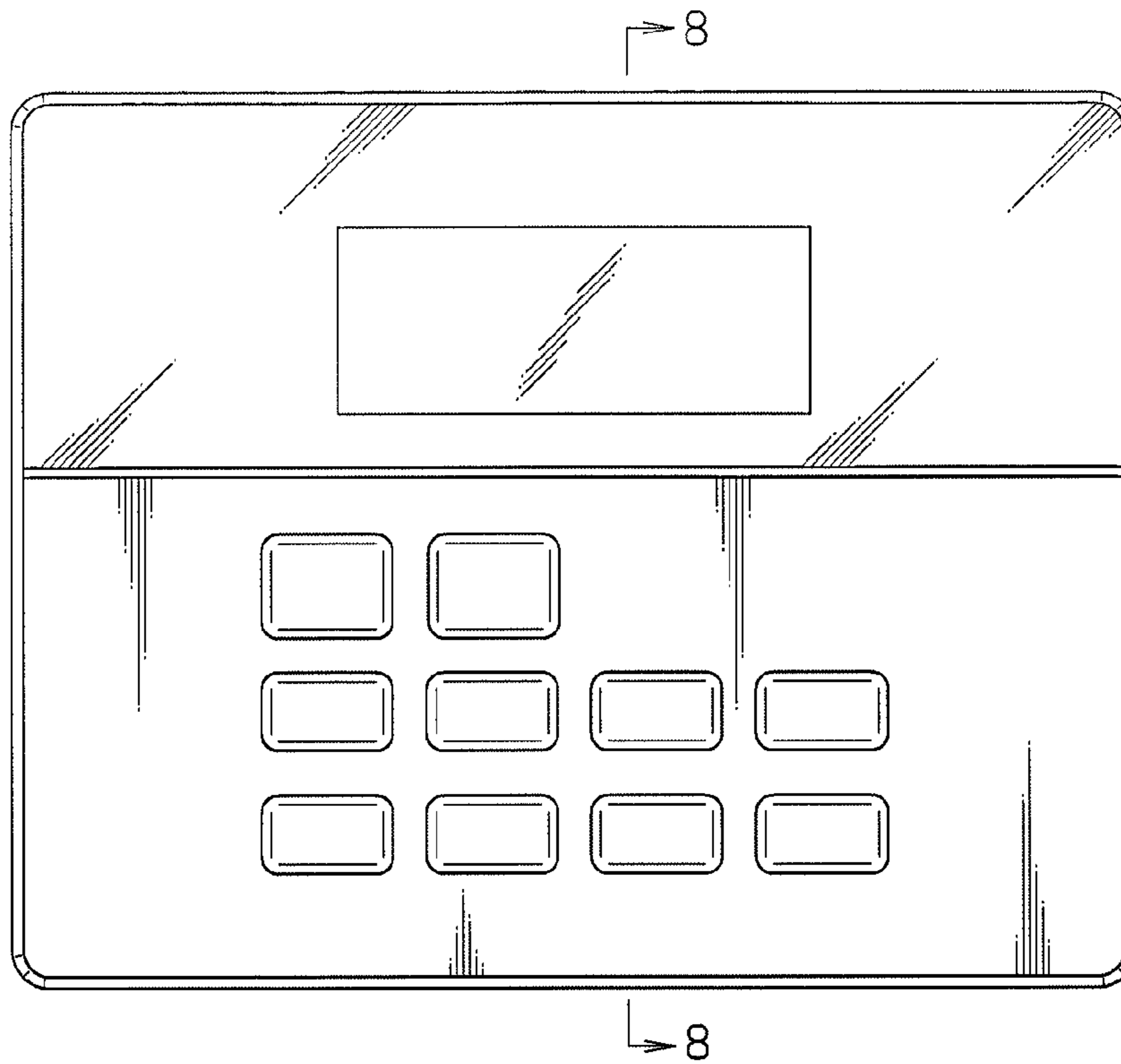


Fig. 3

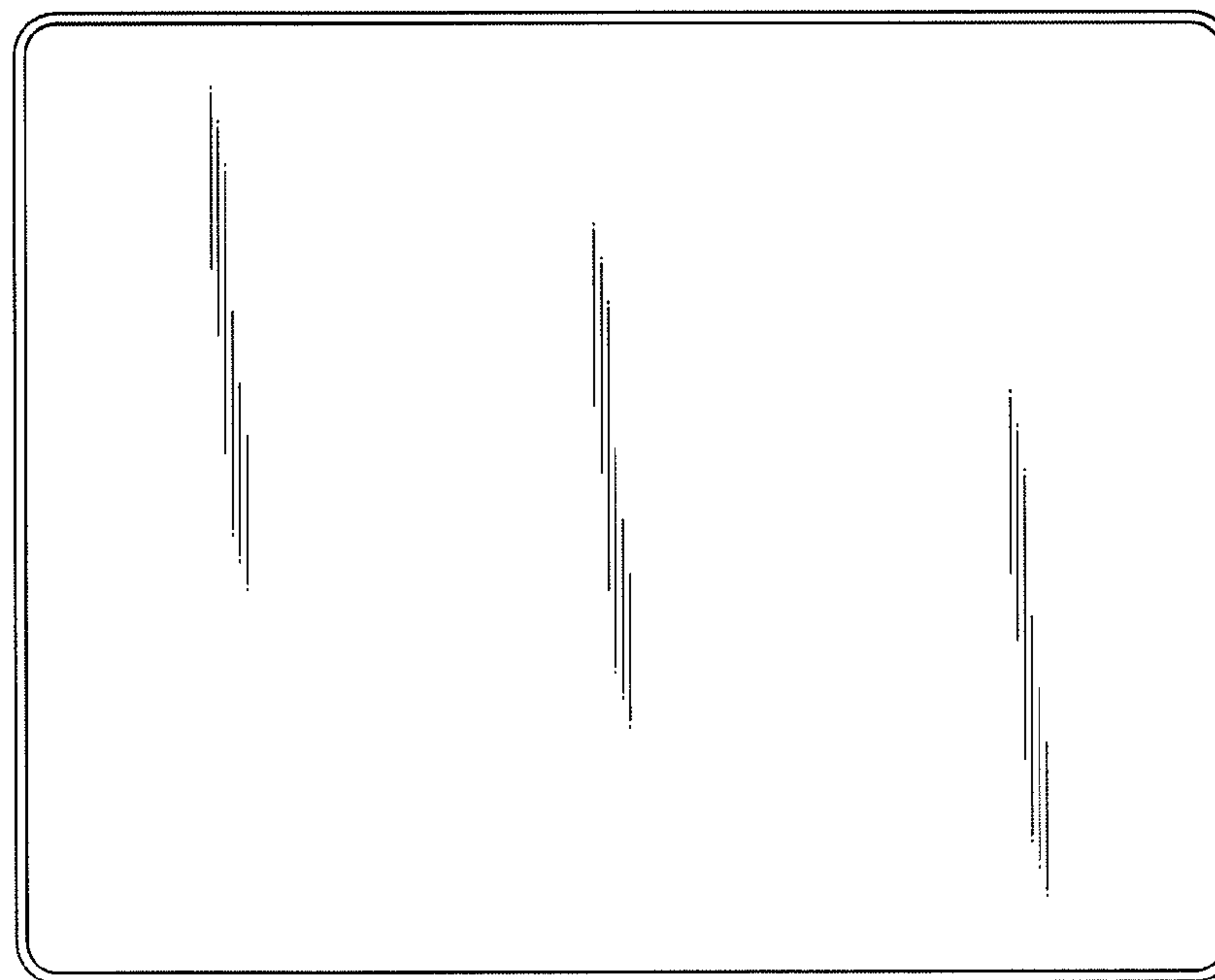


Fig. 4

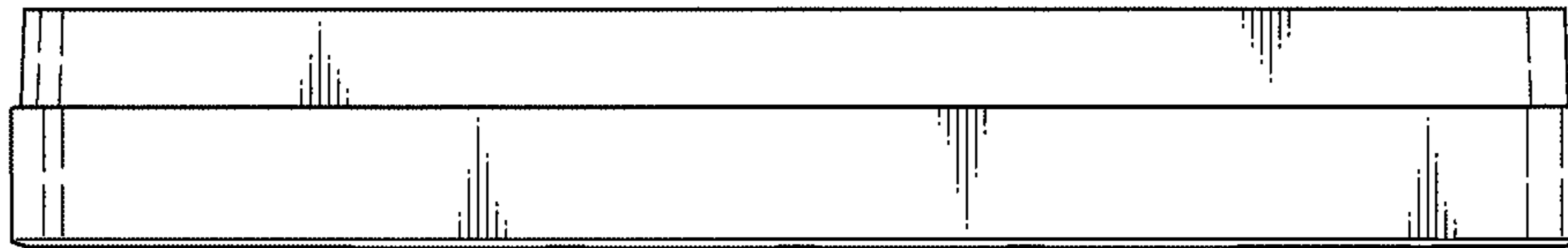


Fig. 5

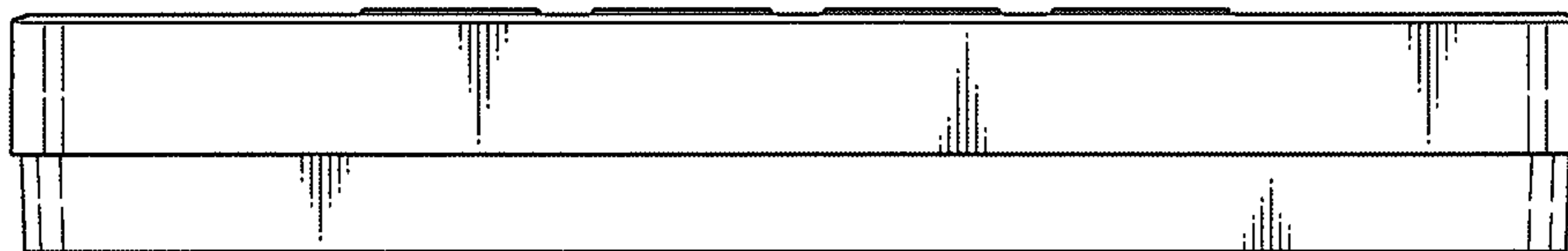


Fig. 6

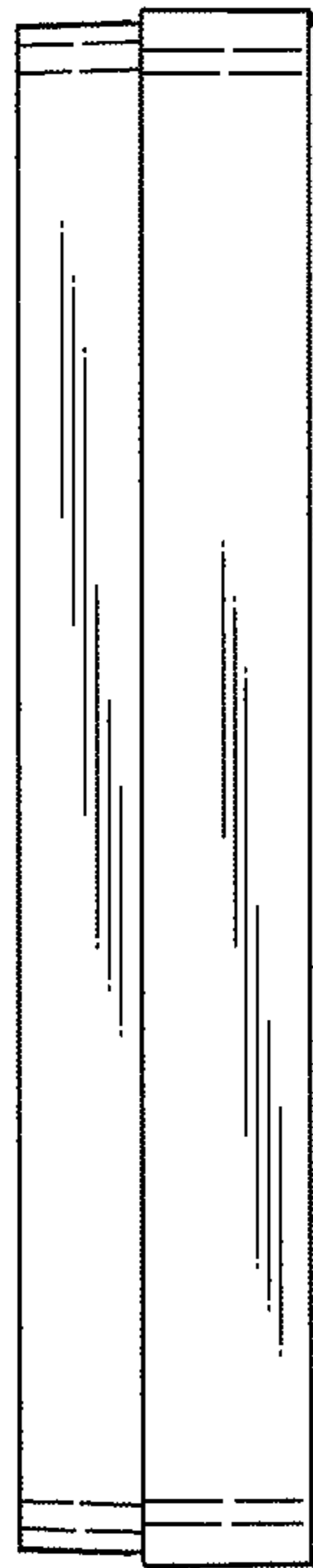


Fig. 7

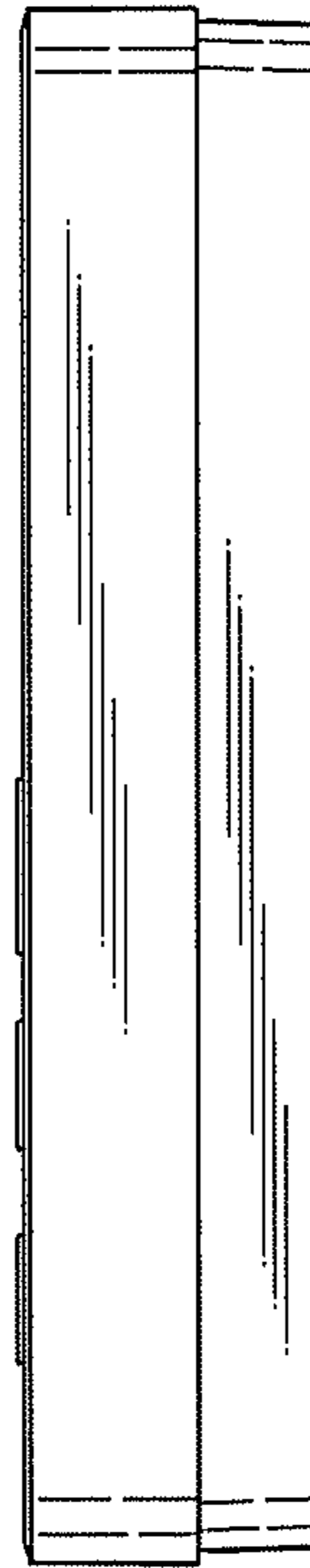


Fig. 8

