



US00D725605S

(12) **United States Design Patent**
Hashimoto et al.

(10) **Patent No.:** **US D725,605 S**
(45) **Date of Patent:** **** Mar. 31, 2015**

(54) **RELAY**

439/884, 894, 895

See application file for complete search history.

(71) Applicant: **Omron Corporation**, Shimogyo-ku,
Kyoto (JP)

(56) **References Cited**

(72) Inventors: **Ryuichi Hashimoto**, Kyoto (JP);
Keisuke Yano, Kyoto (JP)

U.S. PATENT DOCUMENTS

(73) Assignee: **Omron Corporation**, Kyoto (JP)

D263,822 S * 4/1982 Smith D13/160
4,459,573 A 7/1984 Watts et al.
D305,531 S 1/1990 Suzuki et al.
D308,664 S 6/1990 Freeman et al.
D337,993 S 8/1993 Garthwaite et al.
D372,703 S * 8/1996 Hannon et al. D13/152

(**) Term: **14 Years**

(Continued)

(21) Appl. No.: **29/475,409**

OTHER PUBLICATIONS

(22) Filed: **Dec. 3, 2013**

Japanese Office Action dated Sep. 7, 2012 issued in Japanese Appli-
cation No. 2012-009013.

(Continued)

Related U.S. Application Data

(62) Division of application No. 29/433,370, filed on Sep.
28, 2012, now Pat. No. Des. 697,033.

(30) **Foreign Application Priority Data**

Apr. 17, 2012 (JP) 2012-9011
Apr. 17, 2012 (JP) 2012-9012
Apr. 17, 2012 (JP) 2012-9013
Apr. 17, 2012 (JP) 2012-9014

Primary Examiner — Thomas Johannes

Assistant Examiner — Shawn T Gingrich

(74) *Attorney, Agent, or Firm* — Harness, Dickey & Pierce,
P.L.C.

(51) **LOC (10) Cl.** **13-03**

(52) **U.S. Cl.**
USPC **D13/159**

(57) **CLAIM**

The ornamental design for a relay, as shown and described.

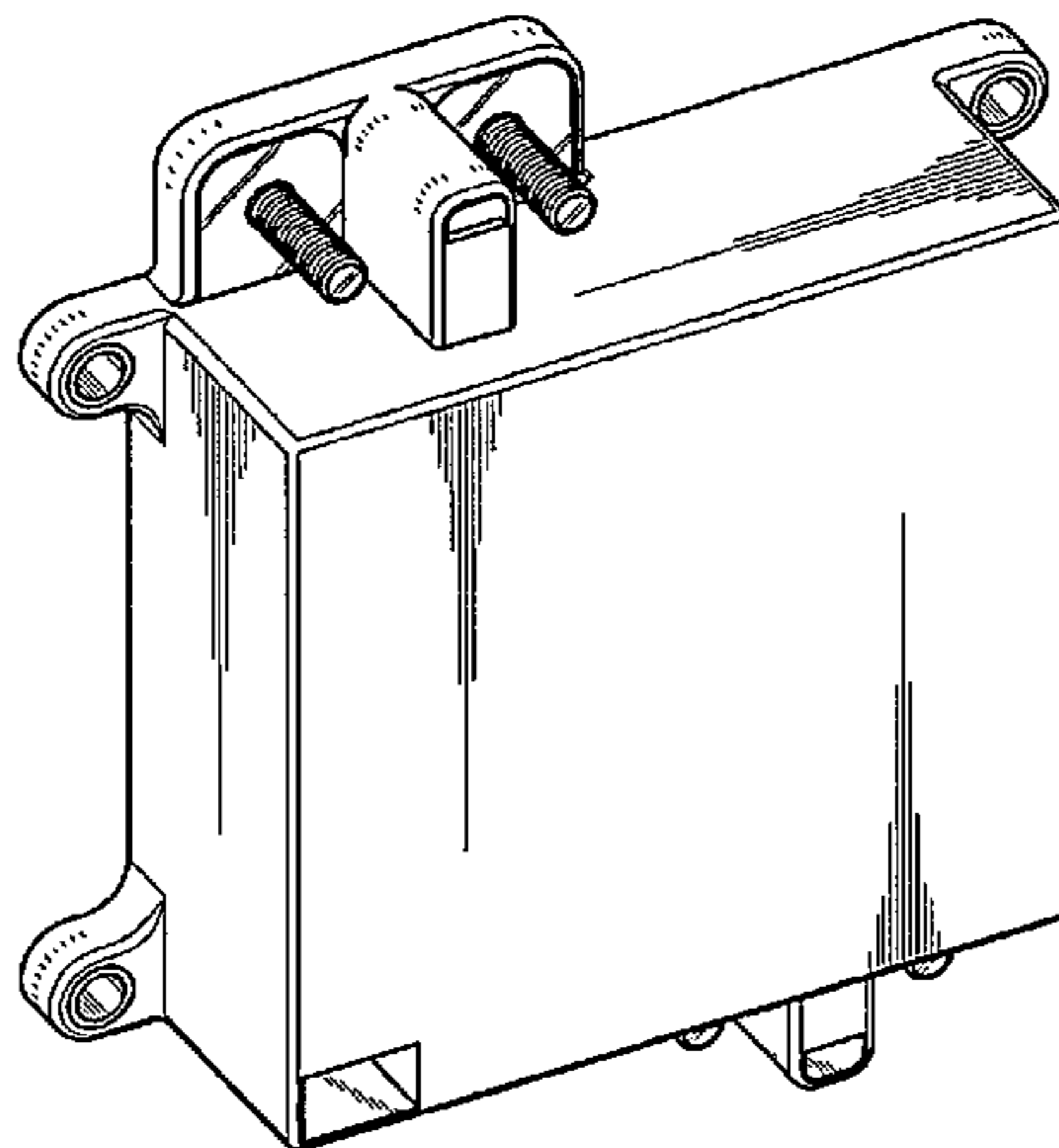
(58) **Field of Classification Search**

CPC H01H 13/705; H01H 13/88; H01H
2011/0087; H01H 2205/016; H01H 2221/05;
H01H 2227/016; H01H 2227/026; H01H
2229/02; H01H 2229/036; H01H 13/04;
H01H 13/48; H01H 1/58; H01T 13/34;
H02H 9/02
USPC D13/110, 123, 146, 147, 151, 153, 154,
D13/158-164, 171, 174, 184, 199;
D14/240, 356-358, 434; 200/43.14,
200/50.01, 50.21-23; 361/42, 44, 50, 71,
361/115, 608, 622, 627, 628, 634, 690;
439/532, 536, 540.1, 541.5, 613, 614,

DESCRIPTION

FIG. 1 is a top, front and left side perspective view of a relay showing an embodiment of our new design;
FIG. 2 is a bottom, rear and left side perspective view thereof;
FIG. 3 is a front elevational view thereof;
FIG. 4 is a rear elevational view thereof;
FIG. 5 is a left side view thereof;
FIG. 6 is a right side view thereof;
FIG. 7 is a top plan view thereof; and,
FIG. 8 is a bottom plan view thereof.
The broken lines depict environmental subject matter only and form no part of the claimed design.

1 Claim, 4 Drawing Sheets



(56)

References Cited

U.S. PATENT DOCUMENTS

D400,512 S 11/1998 Korhonen
D400,513 S 11/1998 Seirio
D409,623 S 5/1999 Bianco
D416,870 S * 11/1999 Rao D13/158
D536,670 S 2/2007 Mahoney
D544,441 S 6/2007 Sihnner et al.
D557,204 S 12/2007 Panebianco et al.
D656,900 S * 4/2012 Suzuki et al. D13/159
D656,903 S * 4/2012 Suzuki et al. D13/159

D664,930 S 8/2012 Wu
D697,033 S * 1/2014 Hashimoto et al. D13/159
2014/0301003 A1* 10/2014 Jankowski 361/57

OTHER PUBLICATIONS

Japanese Office Action dated Sep. 7, 2012 issued in Japanese Application No. 2012-009014.
“New Electronic Products,” 6th Issue, Jun. 1, 1995, p. 53 (furnished in the JPO National Center for Industrial Property Information on Jun. 7, 1995 and assigned JPO Design Division. Prior Art Ref. No. HA07010495).

* cited by examiner

Fig. 1

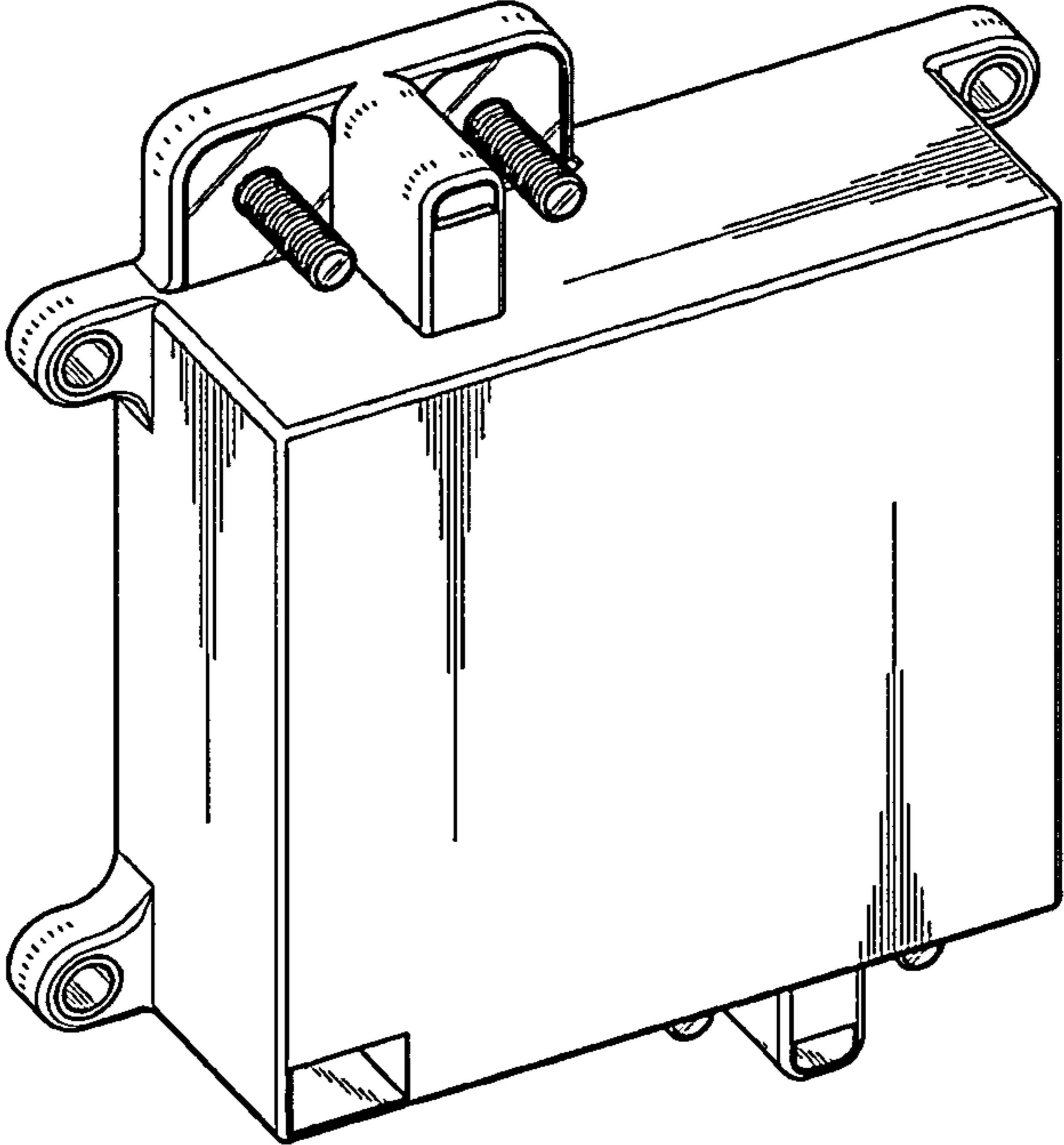


Fig. 2

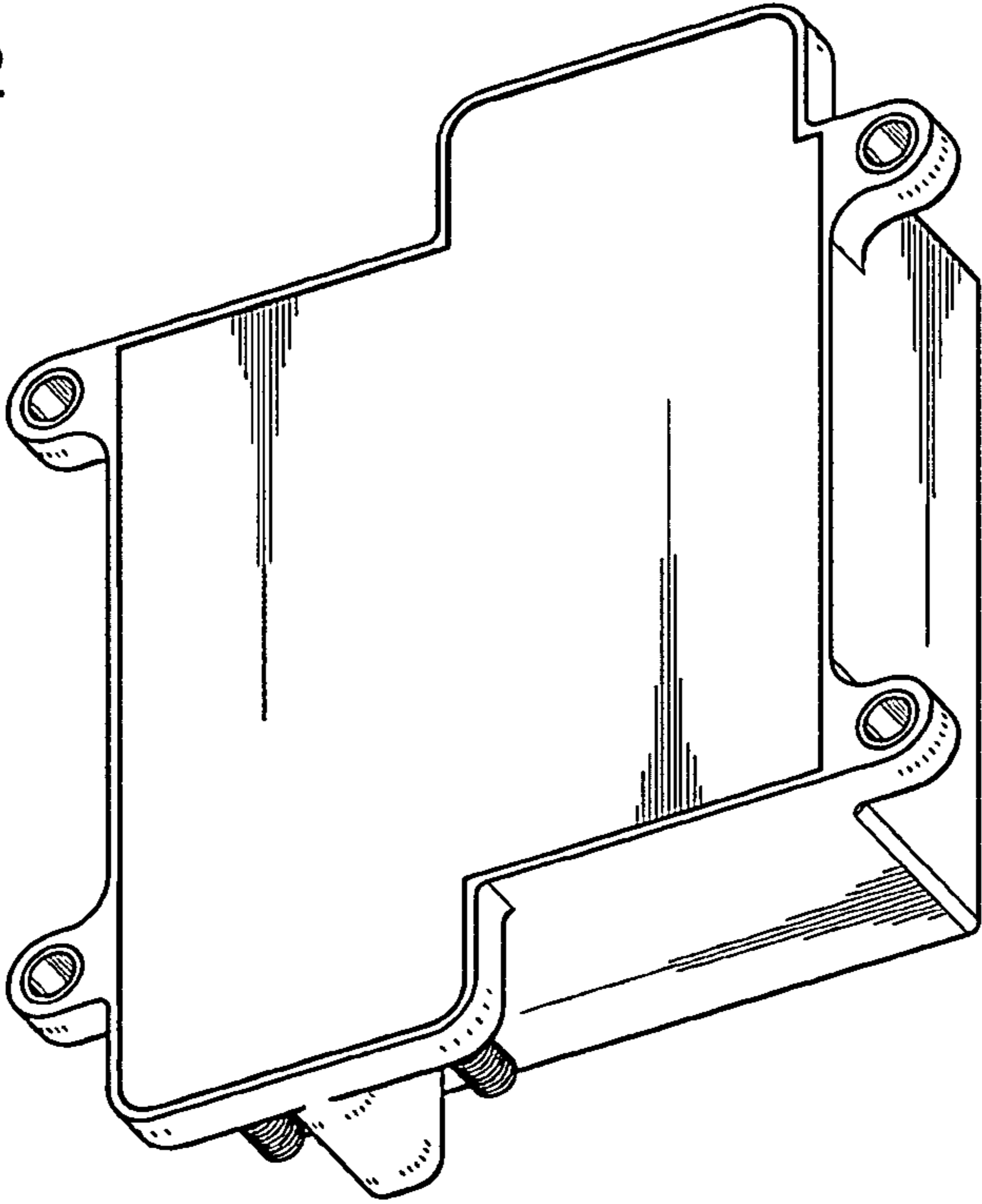


Fig. 3

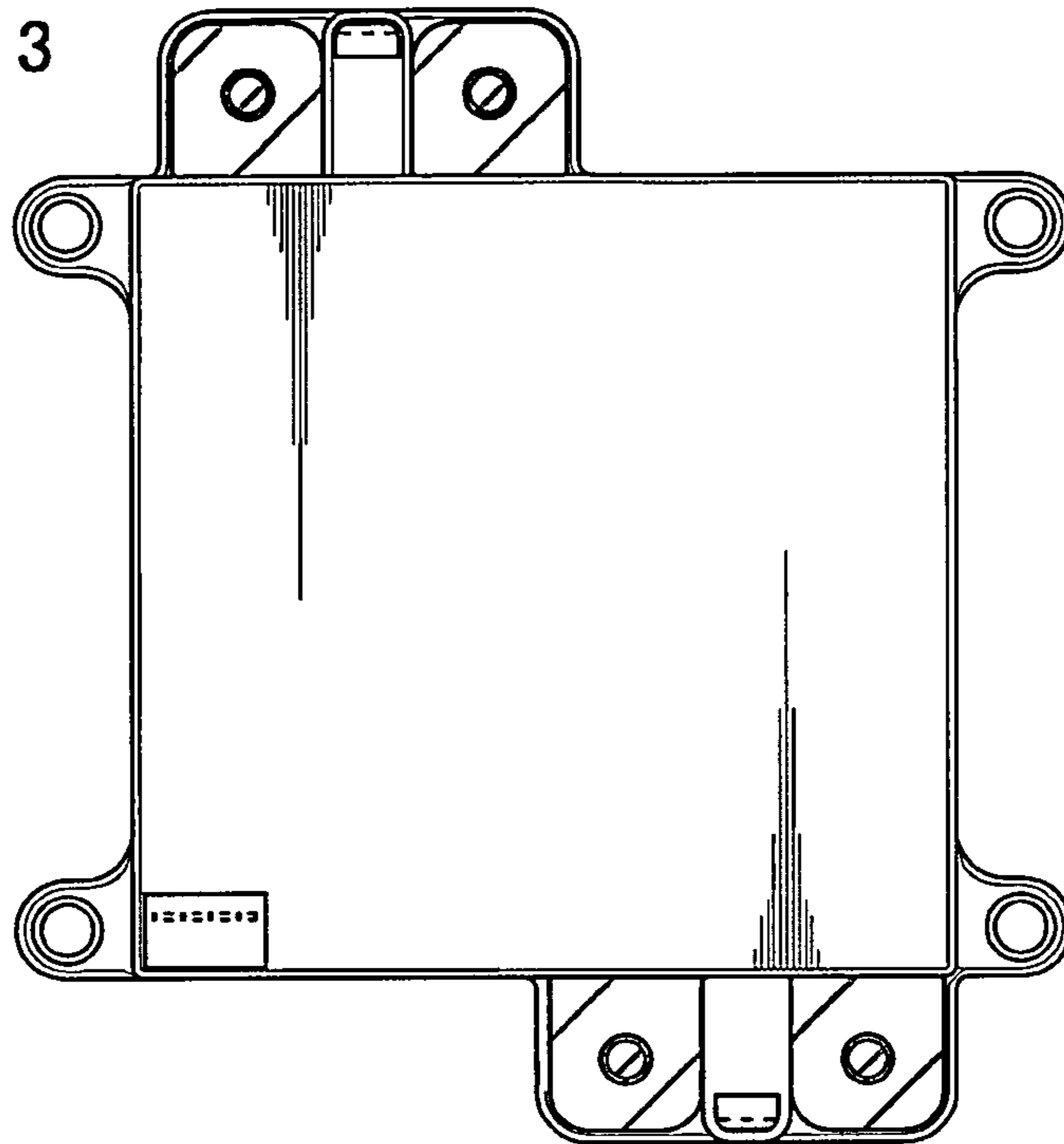


Fig. 4

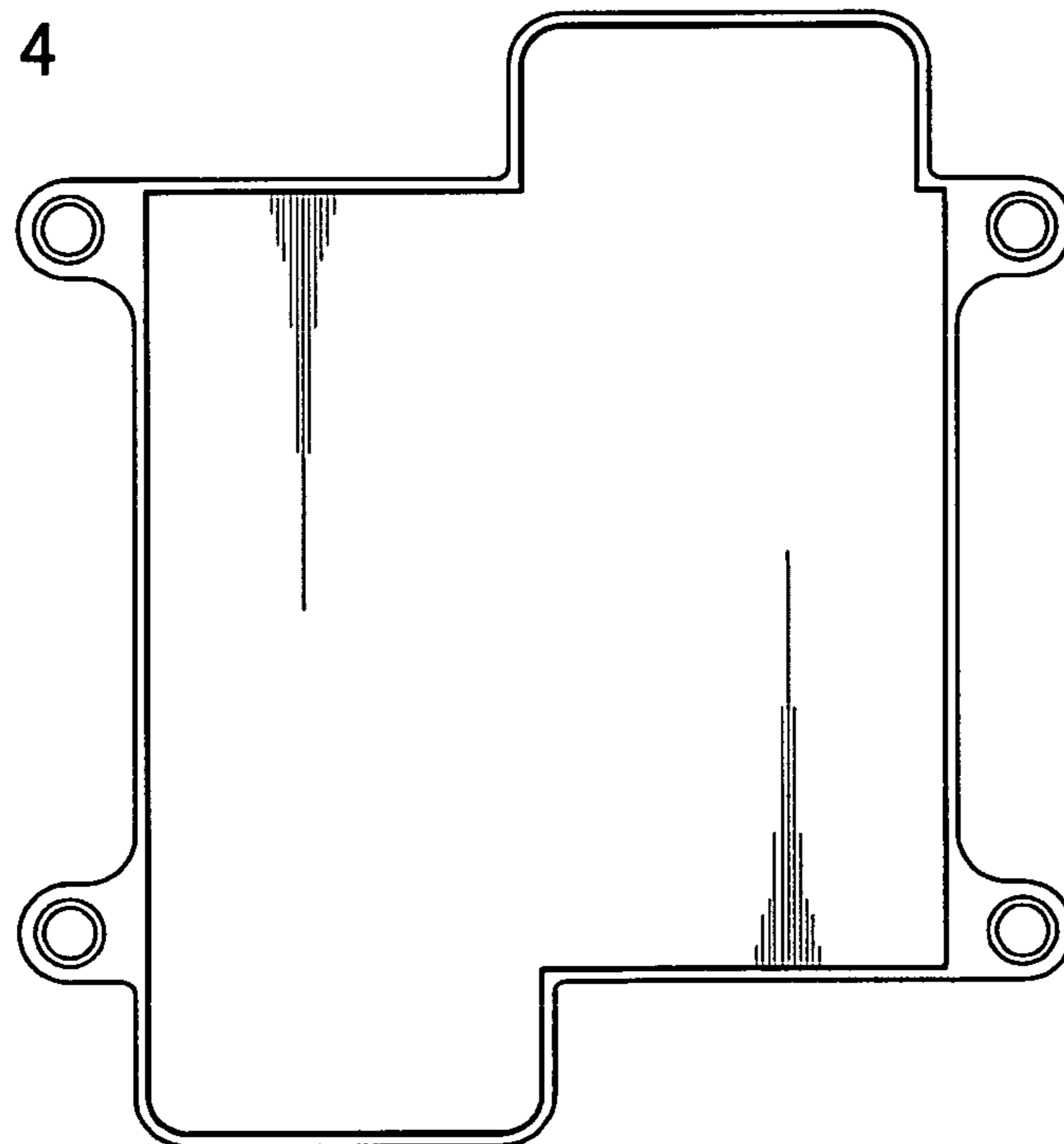


Fig. 5

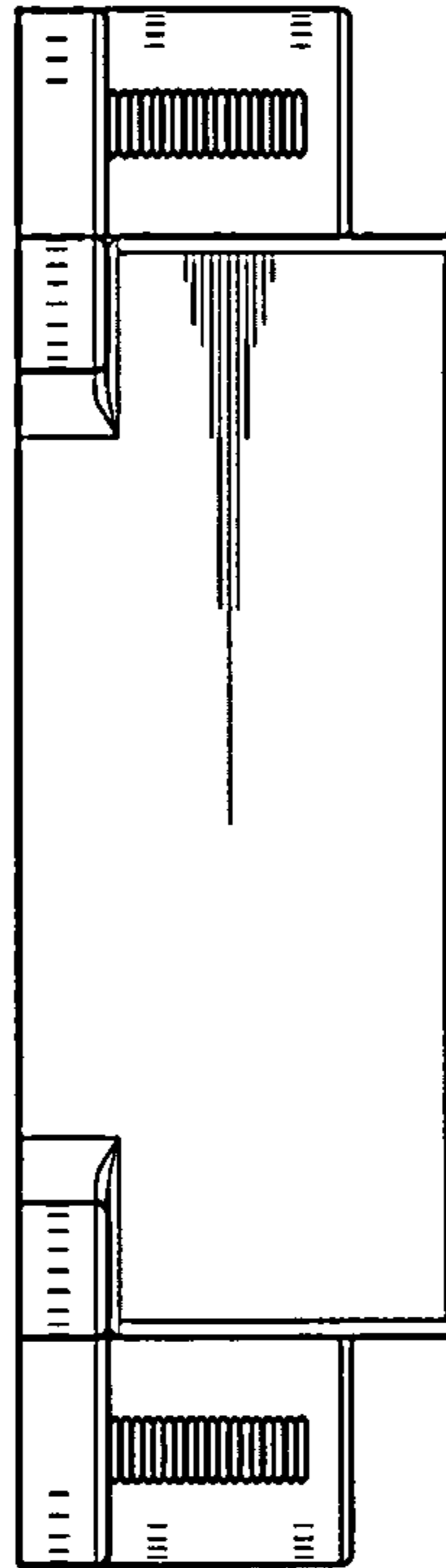


Fig. 6

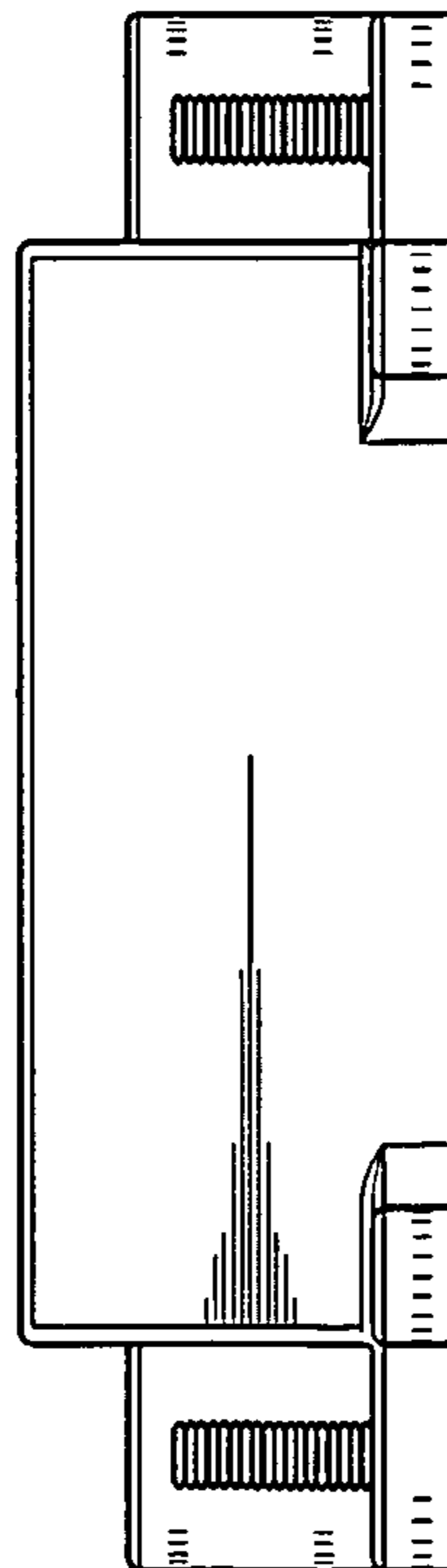


Fig. 7

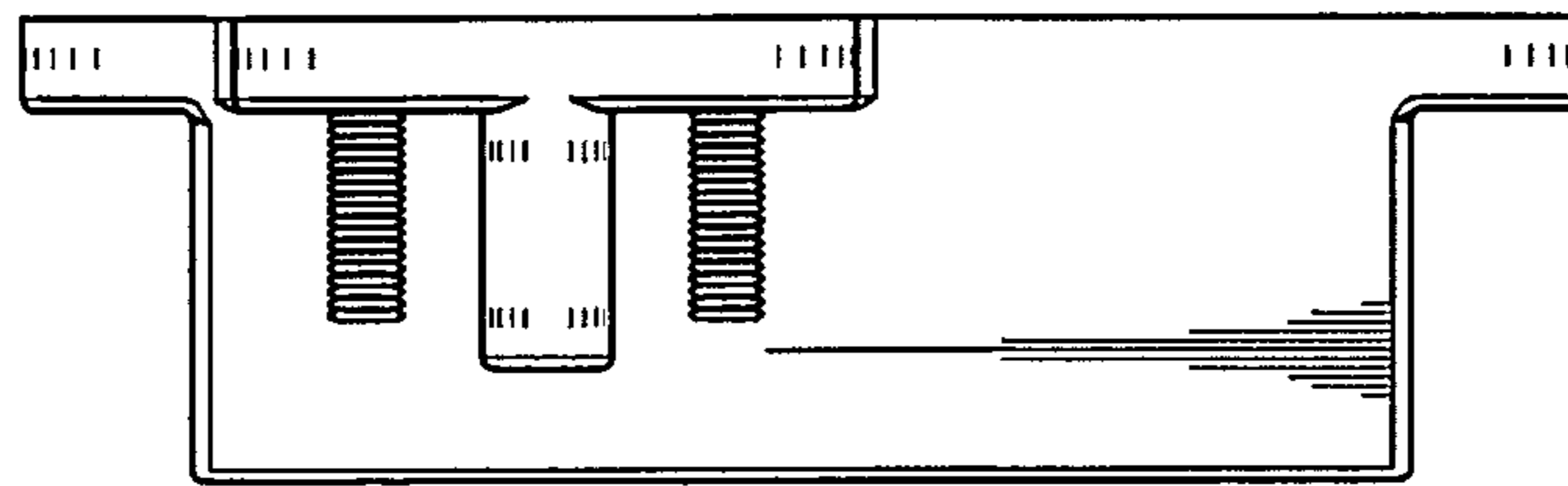


Fig. 8

