



US00D725604S

(12) **United States Design Patent**
Hall, Jr. et al.

(10) **Patent No.:** **US D725,604 S**
(45) **Date of Patent:** **** Mar. 31, 2015**

(54) **HOUSING FOR A LEVEL SWITCH**

(71) Applicants: **Edwin L Hall, Jr.**, Amelia Island, FL (US); **Hampton Hollis Tanner**, Amelia Island, FL (US)

(72) Inventors: **Edwin L Hall, Jr.**, Amelia Island, FL (US); **Hampton Hollis Tanner**, Amelia Island, FL (US)

(73) Assignee: **Well Traveled Imports, Inc.**, Amelia Island, FL (US)

(**) Term: **14 Years**

(21) Appl. No.: **29/456,387**

(22) Filed: **May 30, 2013**

(51) **LOC (10) Cl.** **13-03**

(52) **U.S. Cl.**
USPC **D13/158**

(58) **Field of Classification Search**

CPC F24D 19/1096; G05B 19/042; G05B 19/0426; G05B 2219/23043; G05B 2219/23051; G05B 2219/23297; G05B 2219/23406; G05B 2219/25085; G05B 2219/2625; H01H 35/027; H01H 19/64; H01H 1/365; H01H 2071/0292; H01H 21/54; H01H 71/0271; H05B 1/0277; H05B 2203/032; H01R 4/36; H01R 4/4827; H01R 9/2491; H01R 9/26; H01R 9/2658; H01R 13/447; H01R 13/50; H01R 13/501; H01R 29/00; H01R 31/08; H01R 4/2433
USPC D13/101, 103, 110, 119, 123, 146, 147, D13/151, 158-164, 171, 173, 174, 177, 178, D13/184, 199; D10/50, 52; D14/240, 433, D14/434; 200/237, 293, 294, 297, 302.3, 200/400, 401; 361/160, 166, 601, 622, 627, 361/928, 686; 439/715-718, 736

See application file for complete search history.

(56) **References Cited**

U.S. PATENT DOCUMENTS

D344,715	S	*	3/1994	Hsiao et al.	D13/159
D593,962	S	*	6/2009	Ross et al.	D13/162
D656,466	S	*	3/2012	Chu	D13/158
D687,093	S	*	7/2013	Klocke et al.	D18/50
D693,392	S	*	11/2013	Hall et al.	D15/143
D708,568	S	*	7/2014	Fujita et al.	D13/101
2013/0287375	A1	*	10/2013	Hall et al.	392/407

* cited by examiner

Primary Examiner — Thomas Johannes

Assistant Examiner — Shawn T Gingrich

(74) *Attorney, Agent, or Firm* — Lau & Associates

(57) **CLAIM**

The ornamental design for a housing for a level switch, as shown and described.

DESCRIPTION

FIG. 1 is a first perspective view of a housing for a level switch showing the cover installed;

FIG. 2 is a second perspective view thereof;

FIG. 3 is a first side view thereof;

FIG. 4 is a second side view thereof;

FIG. 5 is a third side view thereof;

FIG. 6 is a fourth side view thereof;

FIG. 7 is a bottom side view thereof;

FIG. 8 is a top side view thereof;

FIG. 9 is an interior view thereof showing the cover separated from the housing;

FIG. 10 is a first side view thereof;

FIG. 11 is a second side view thereof;

FIG. 12 is a third side view thereof;

FIG. 13 is a fourth side view thereof;

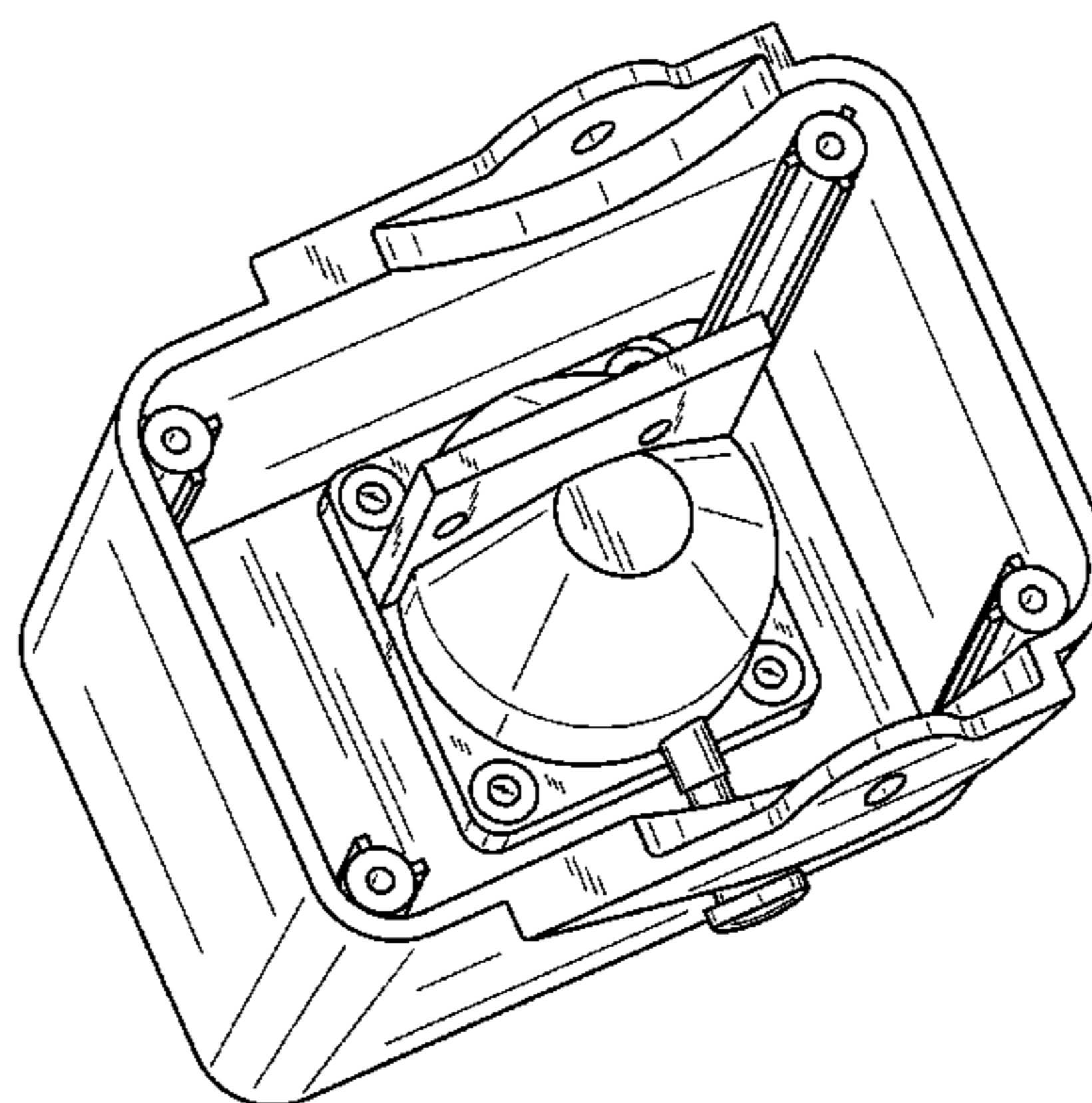
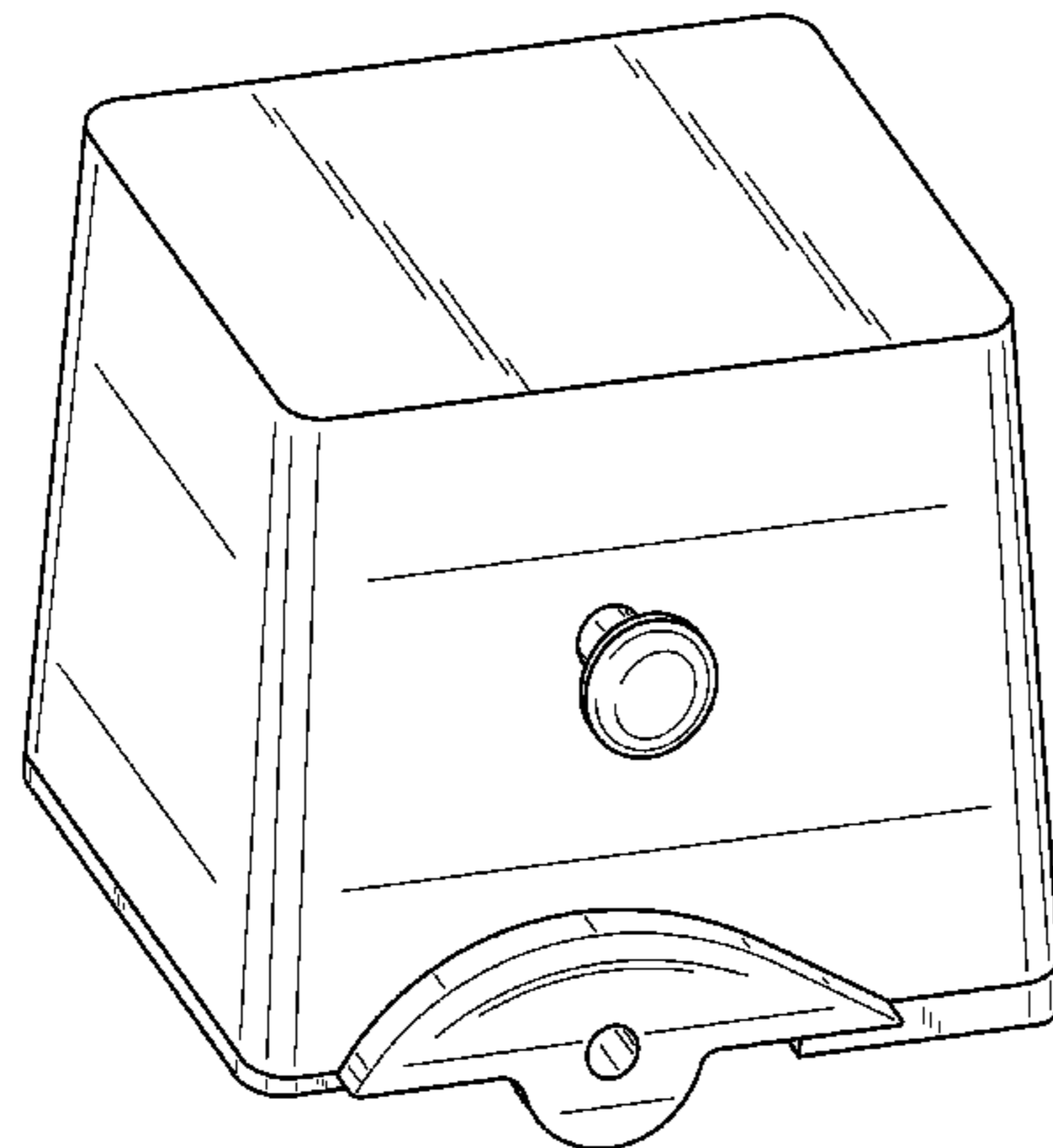
FIG. 14 is a perspective bottom view thereof showing the housing with the cover removed;

FIG. 15 is a bottom view thereof; and,

FIG. 16 is a bottom view thereof showing the housing with the cover and an interior ball bearing chamber removed.

The broken line portion of the figure drawings is included to show unclaimed subject matter only and forms no part of the claimed design.

1 Claim, 16 Drawing Sheets



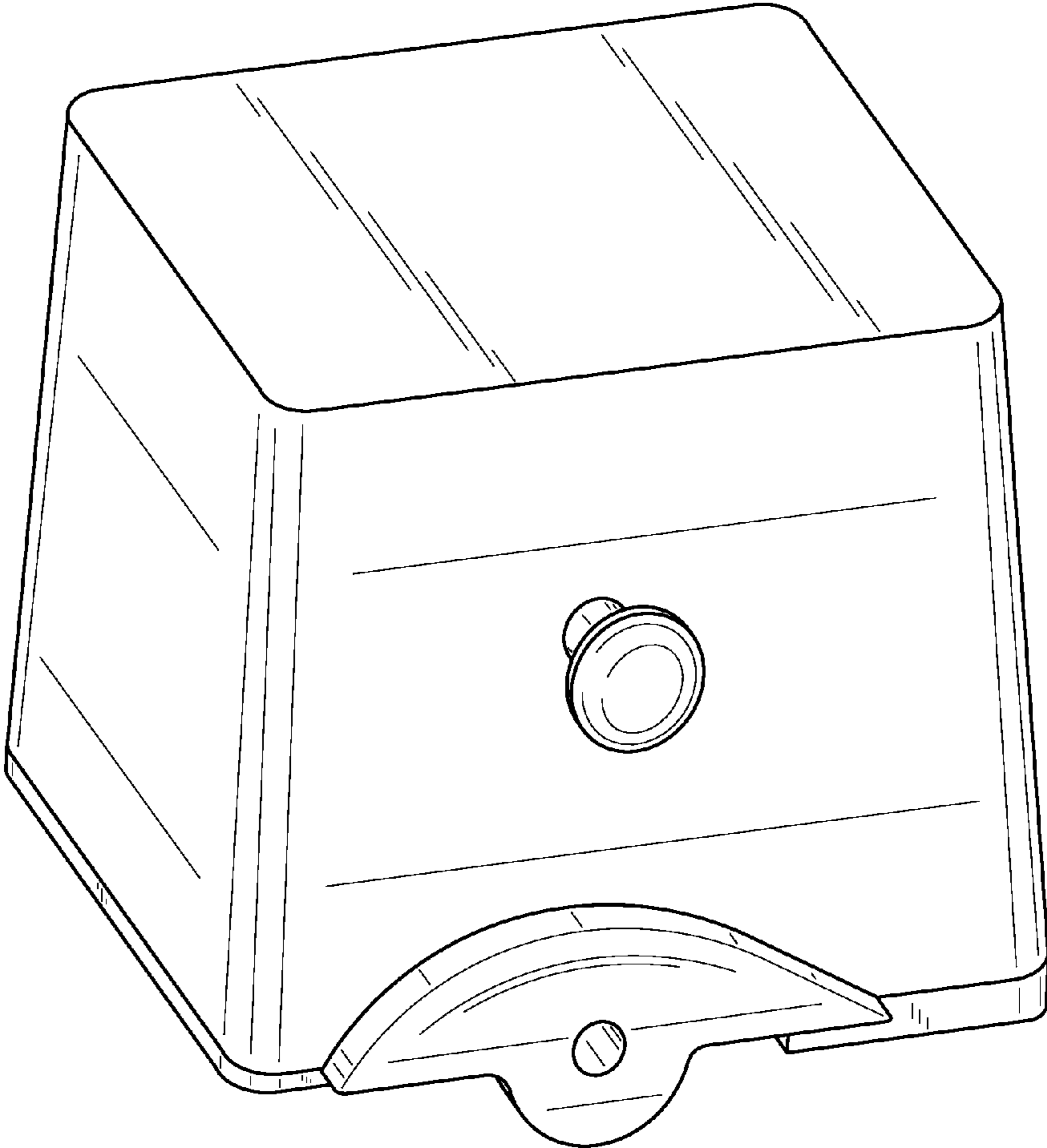


FIG.1

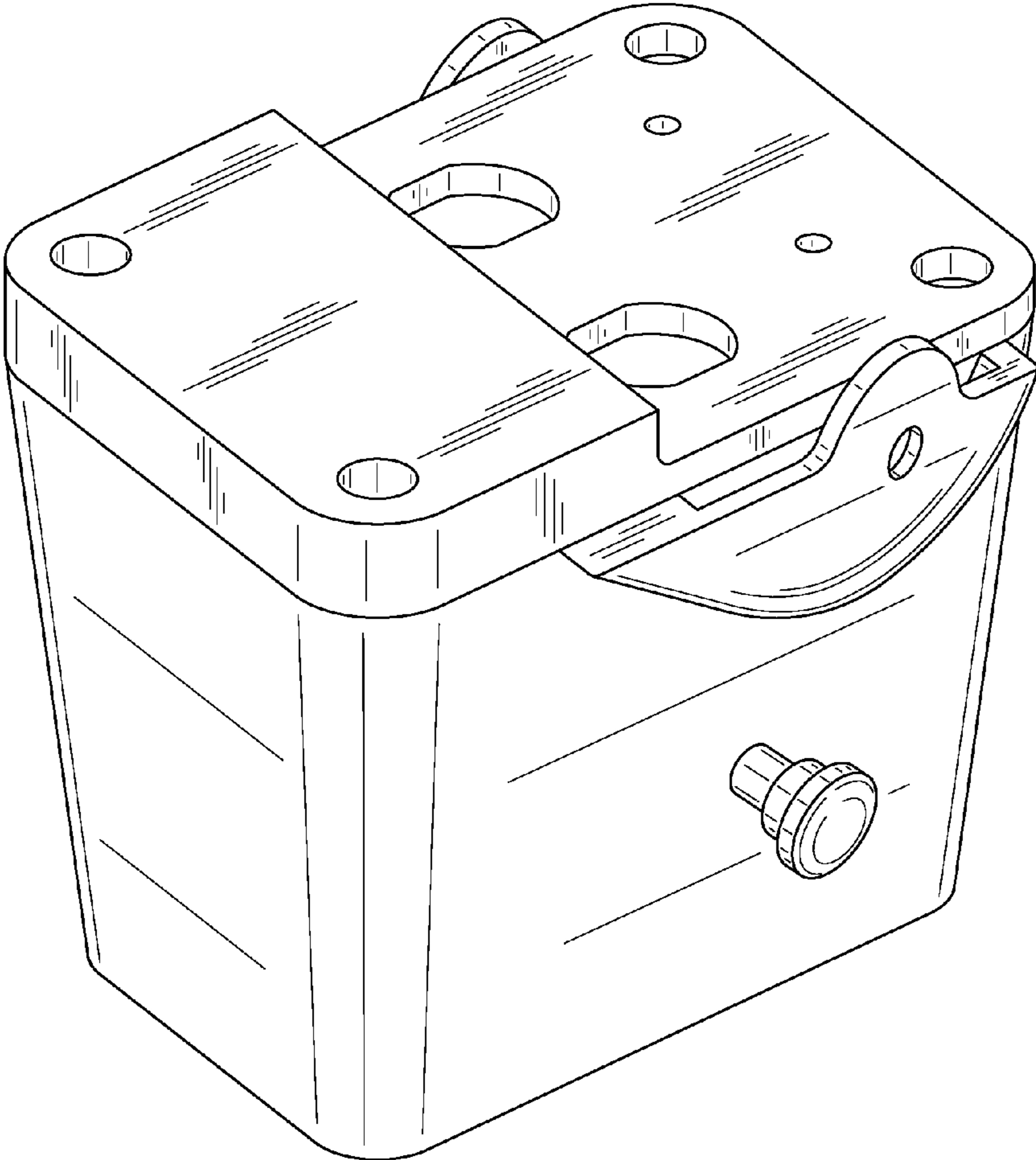


FIG.2

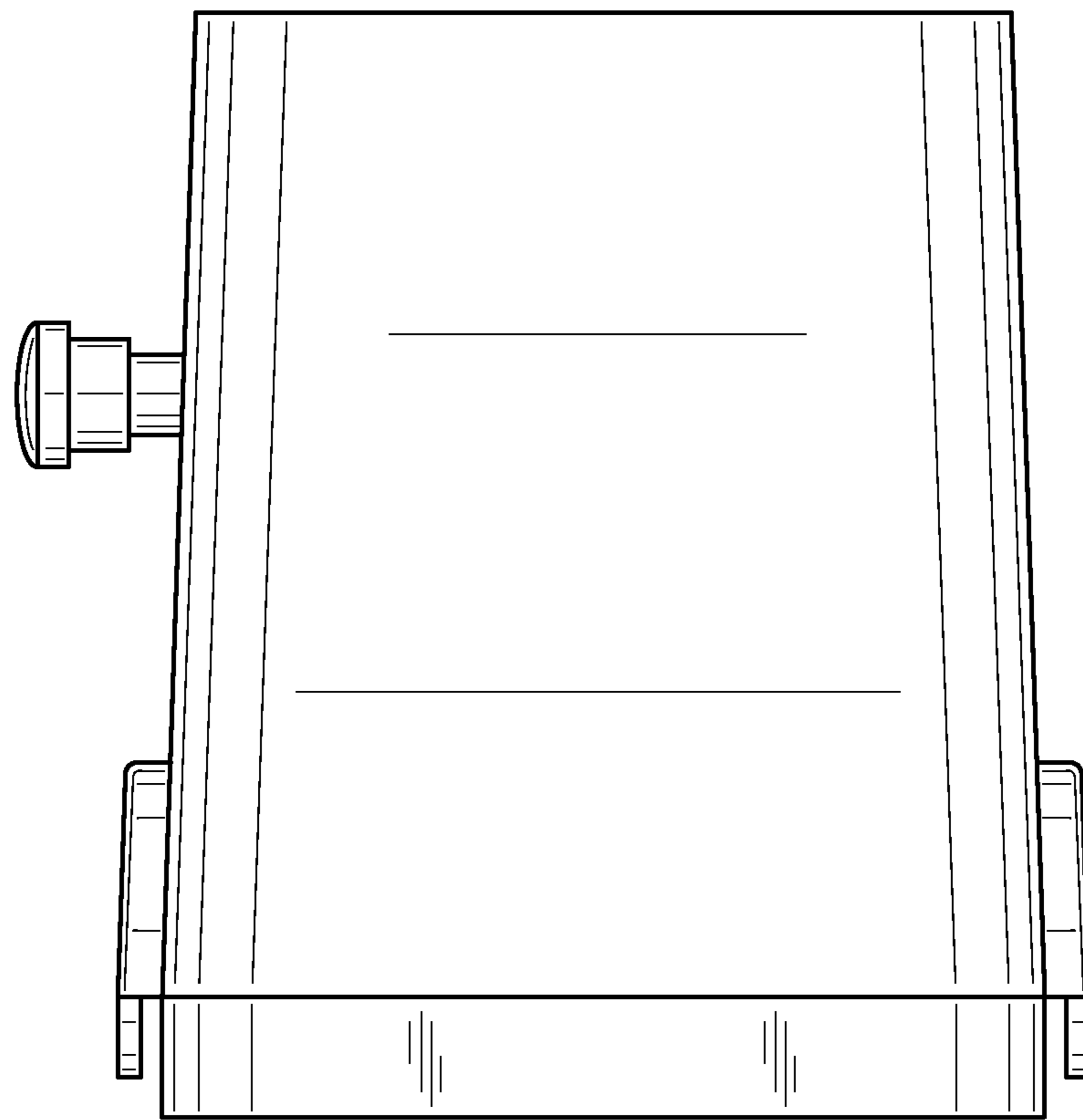


FIG.3

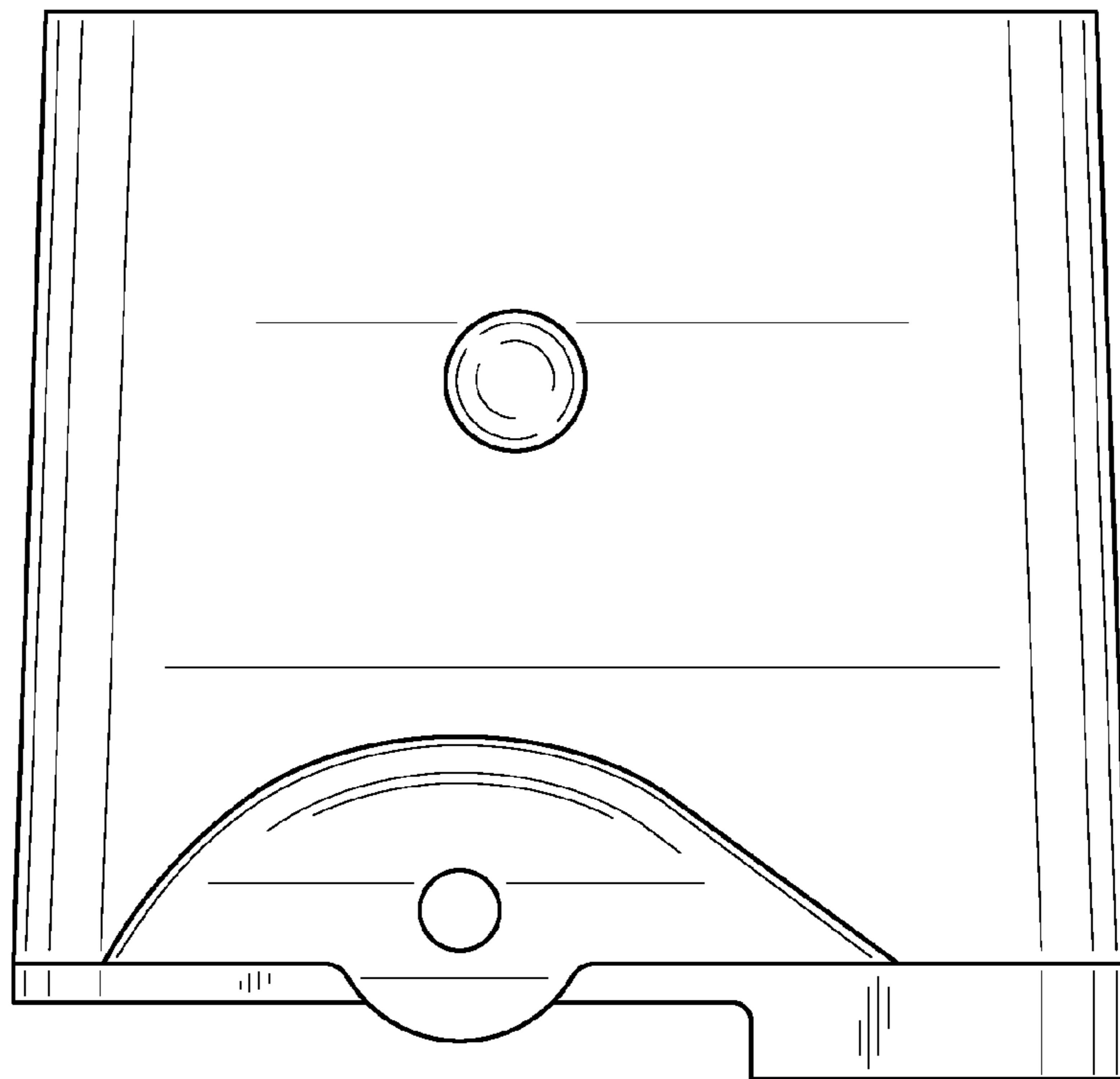


FIG.4

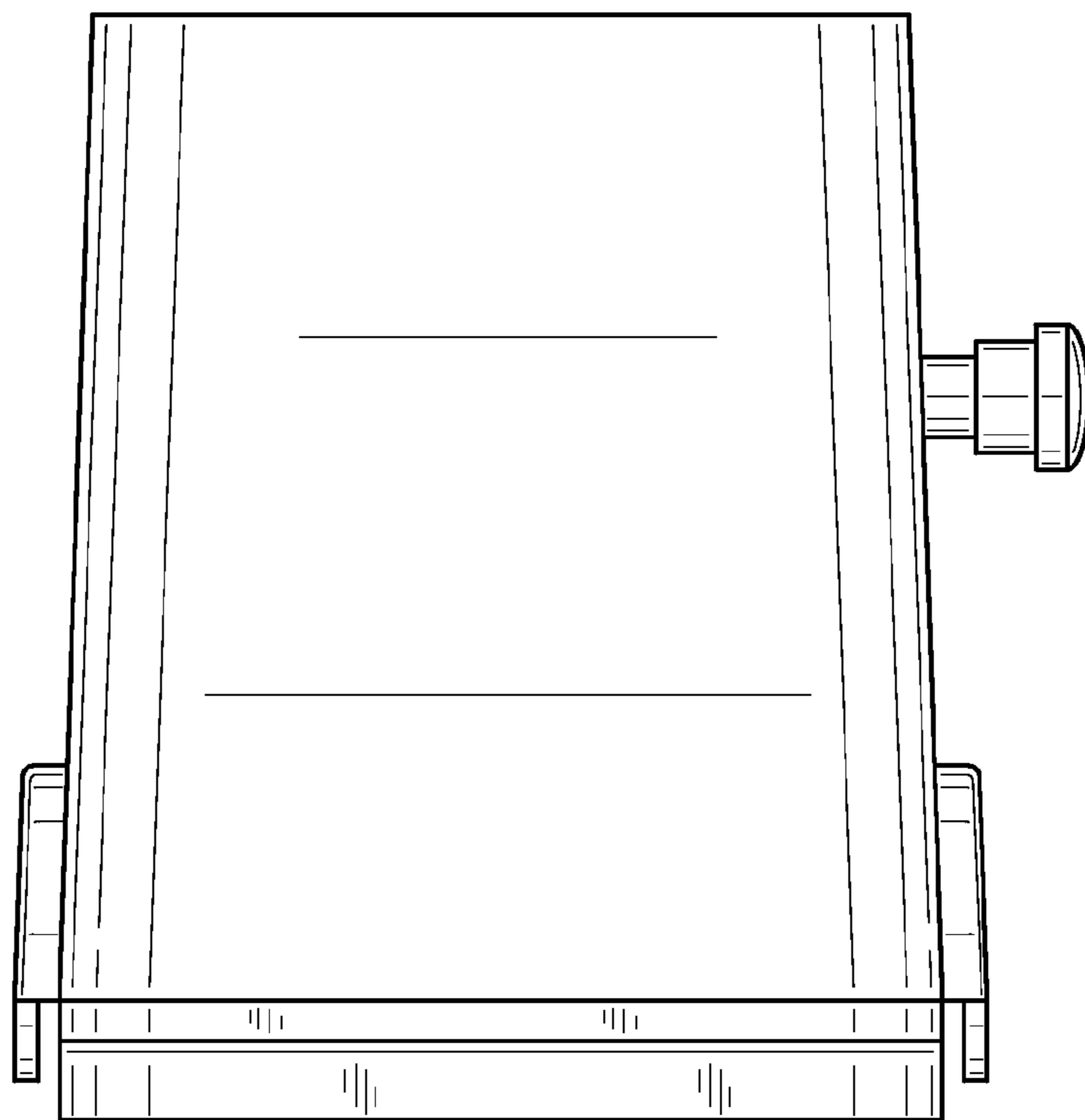


FIG.5

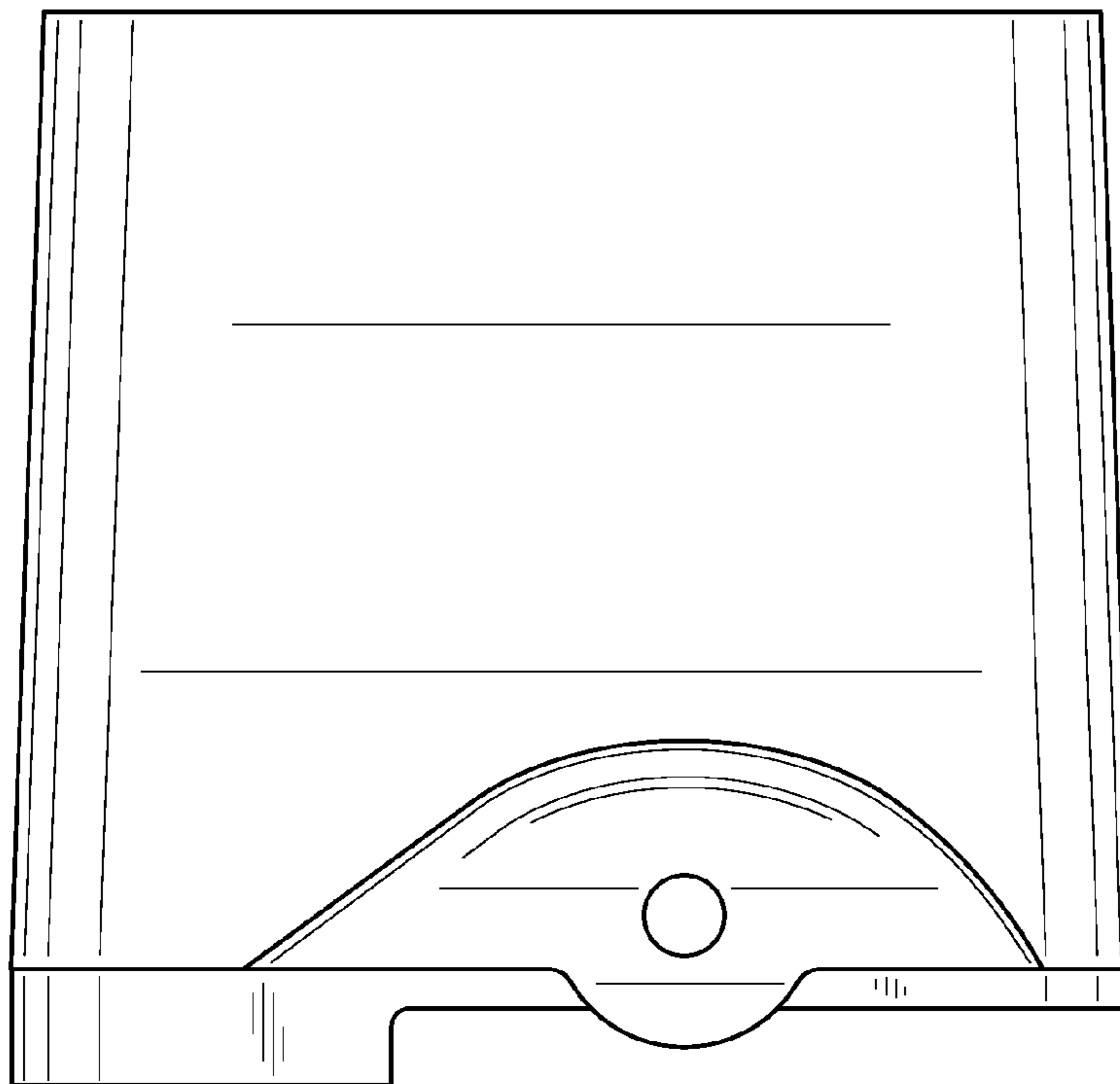


FIG.6

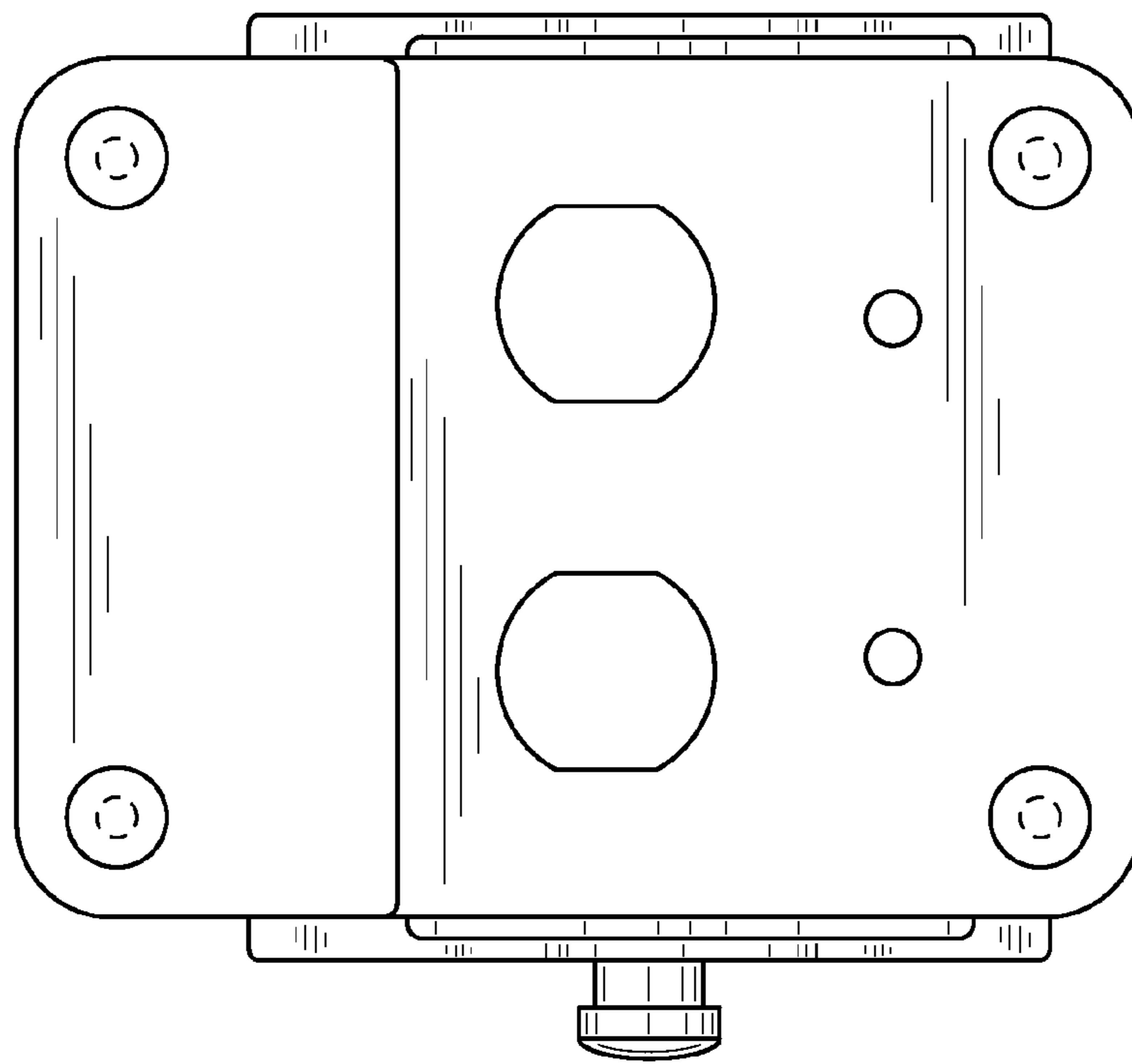


FIG.7

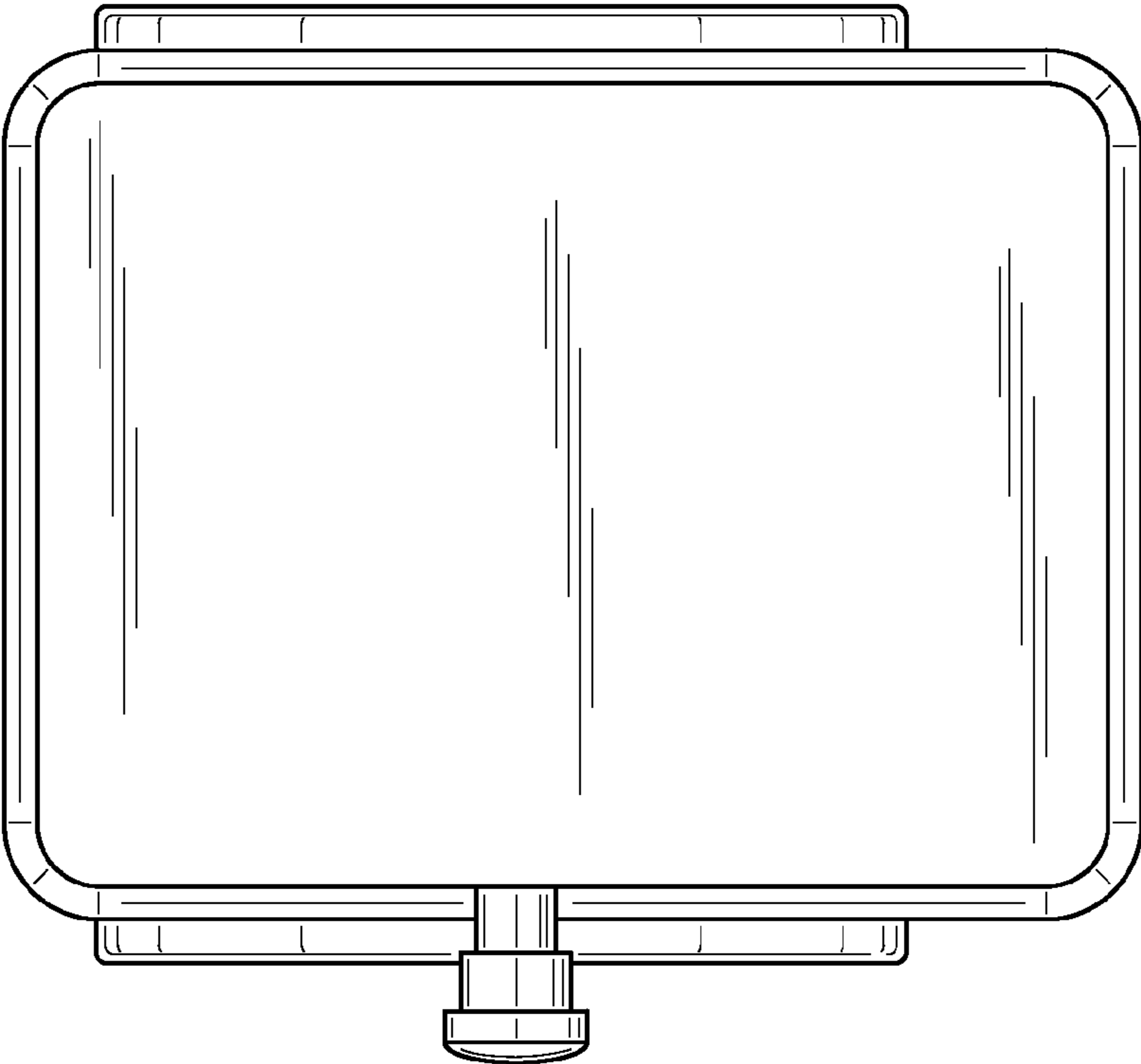


FIG.8

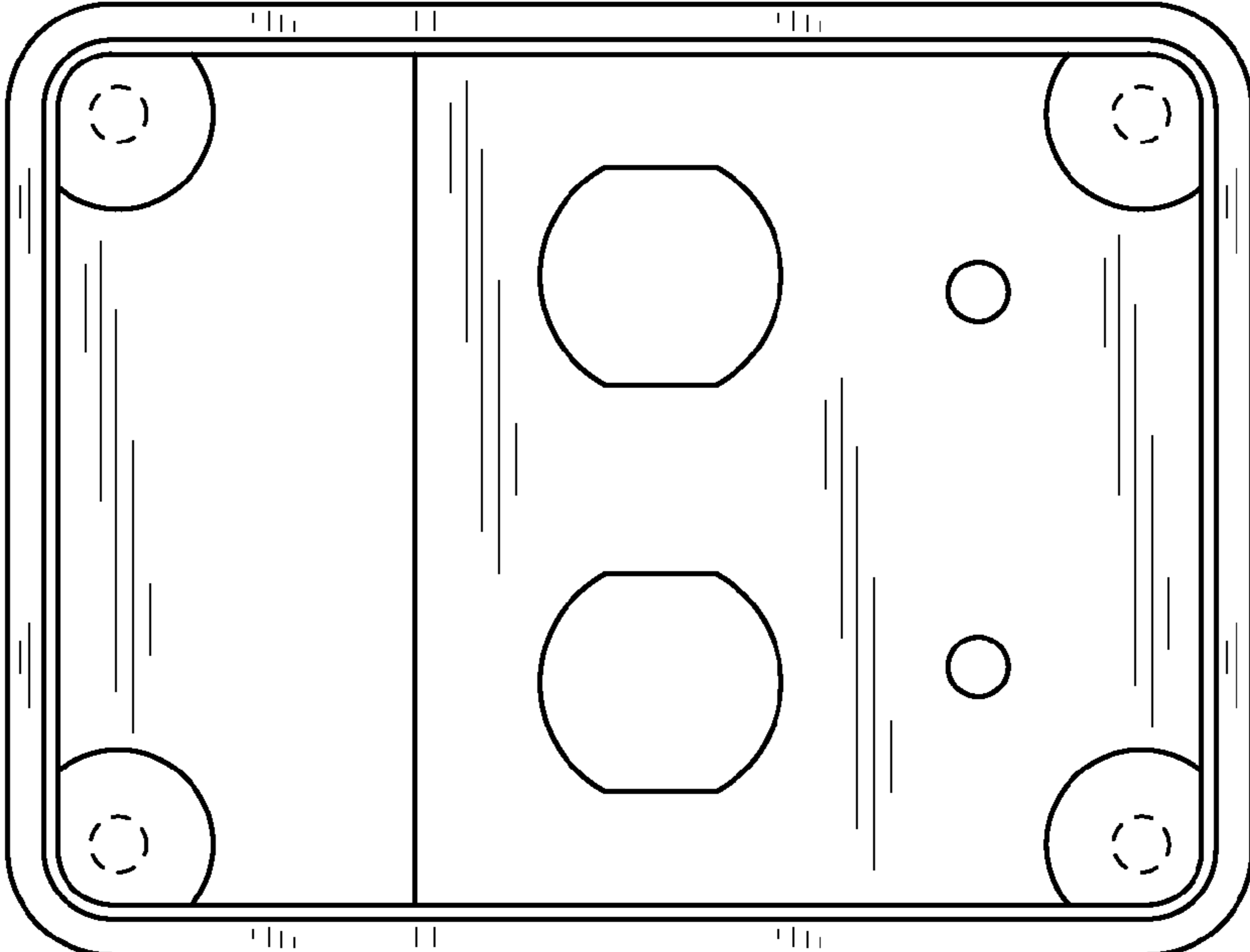


FIG.9



FIG.10

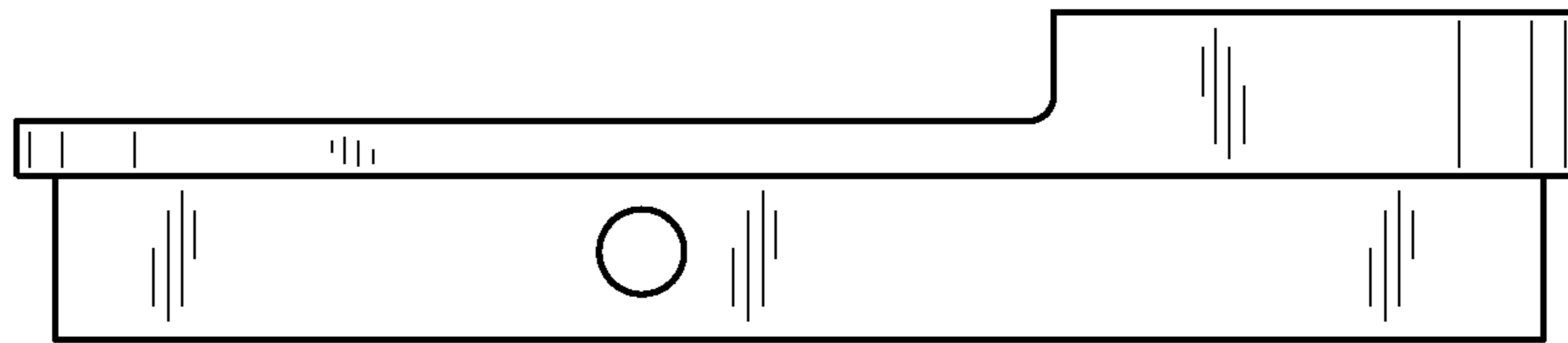


FIG.11

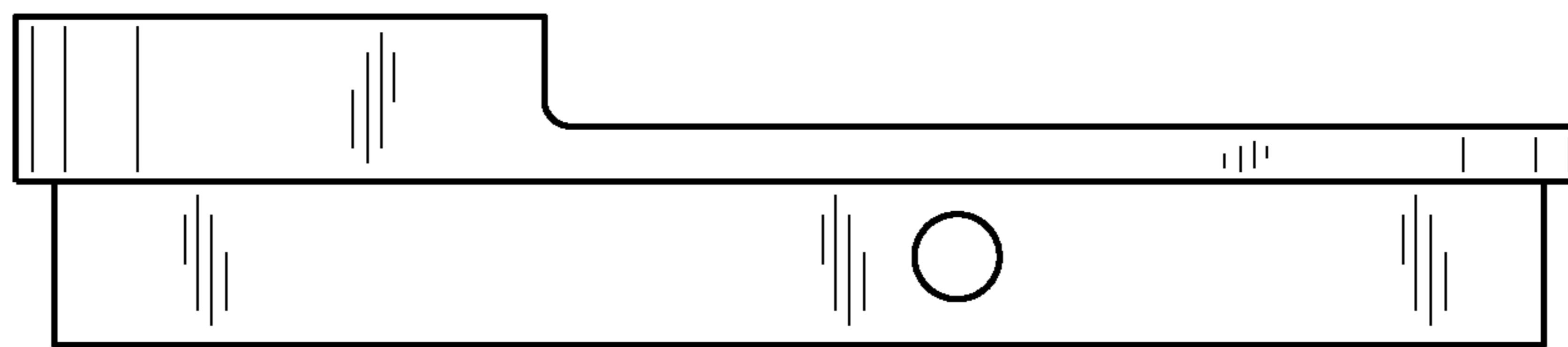


FIG.12

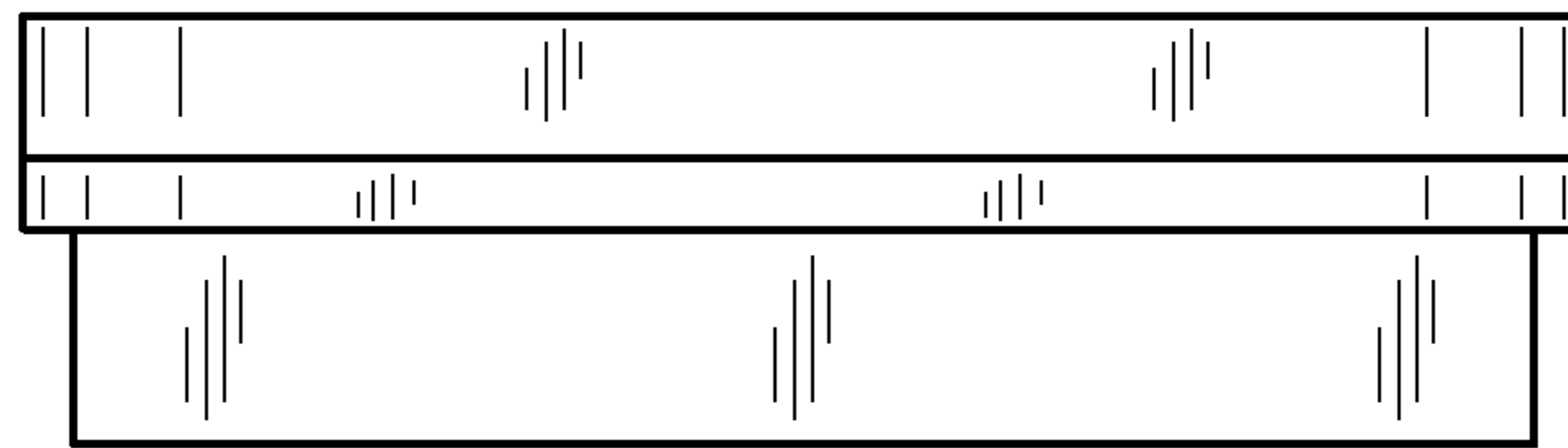


FIG.13

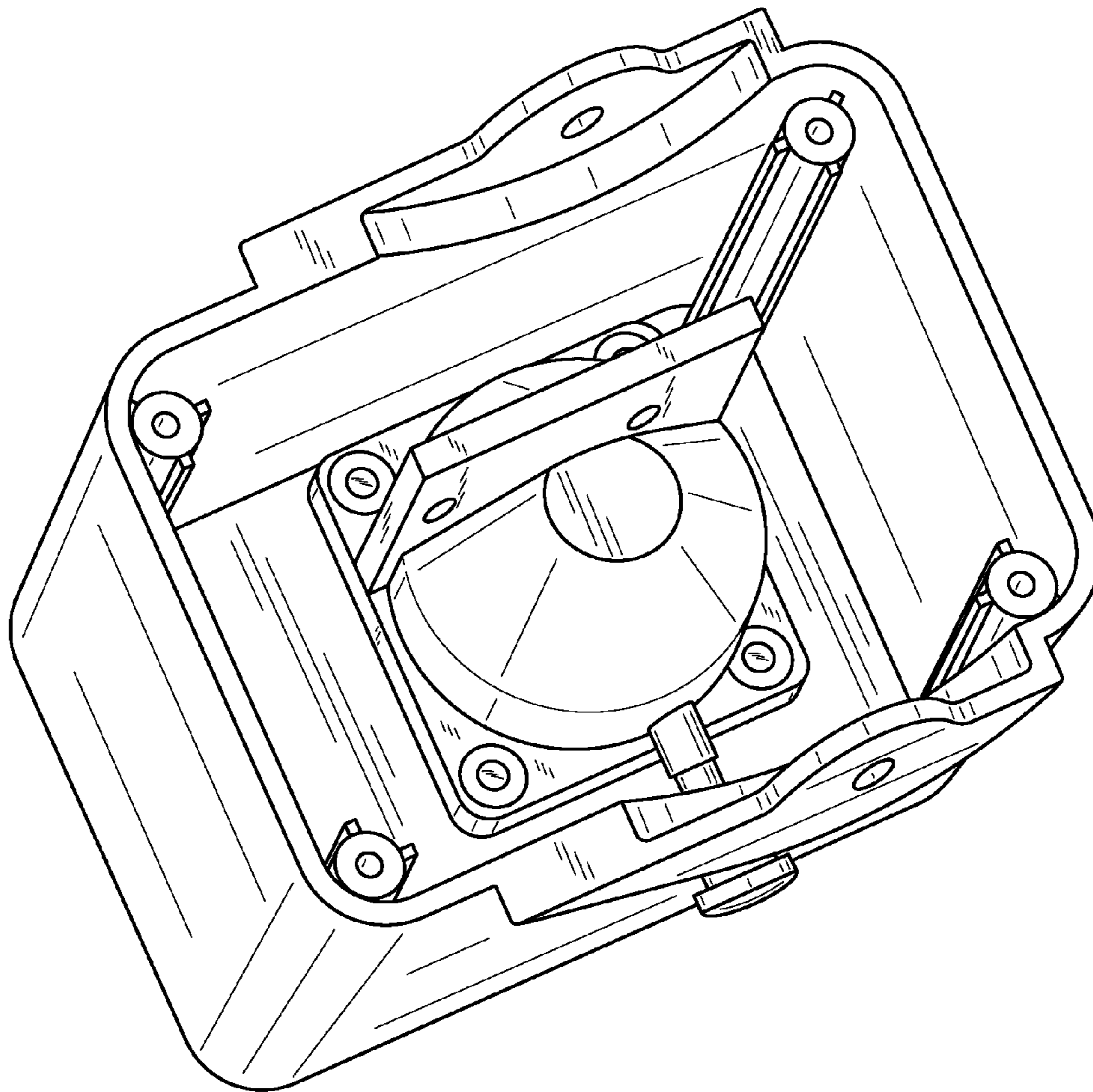


FIG.14

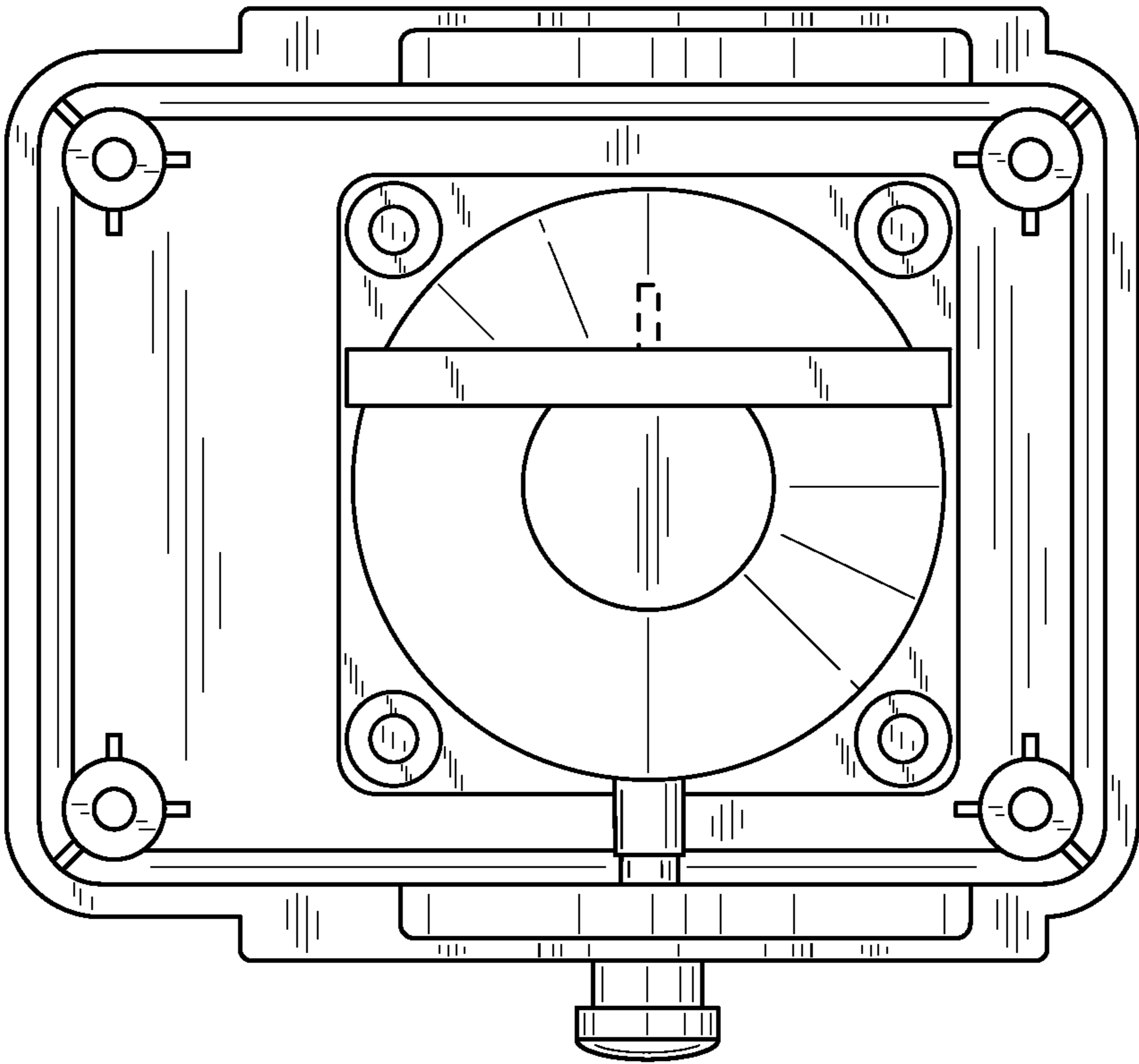


FIG.15

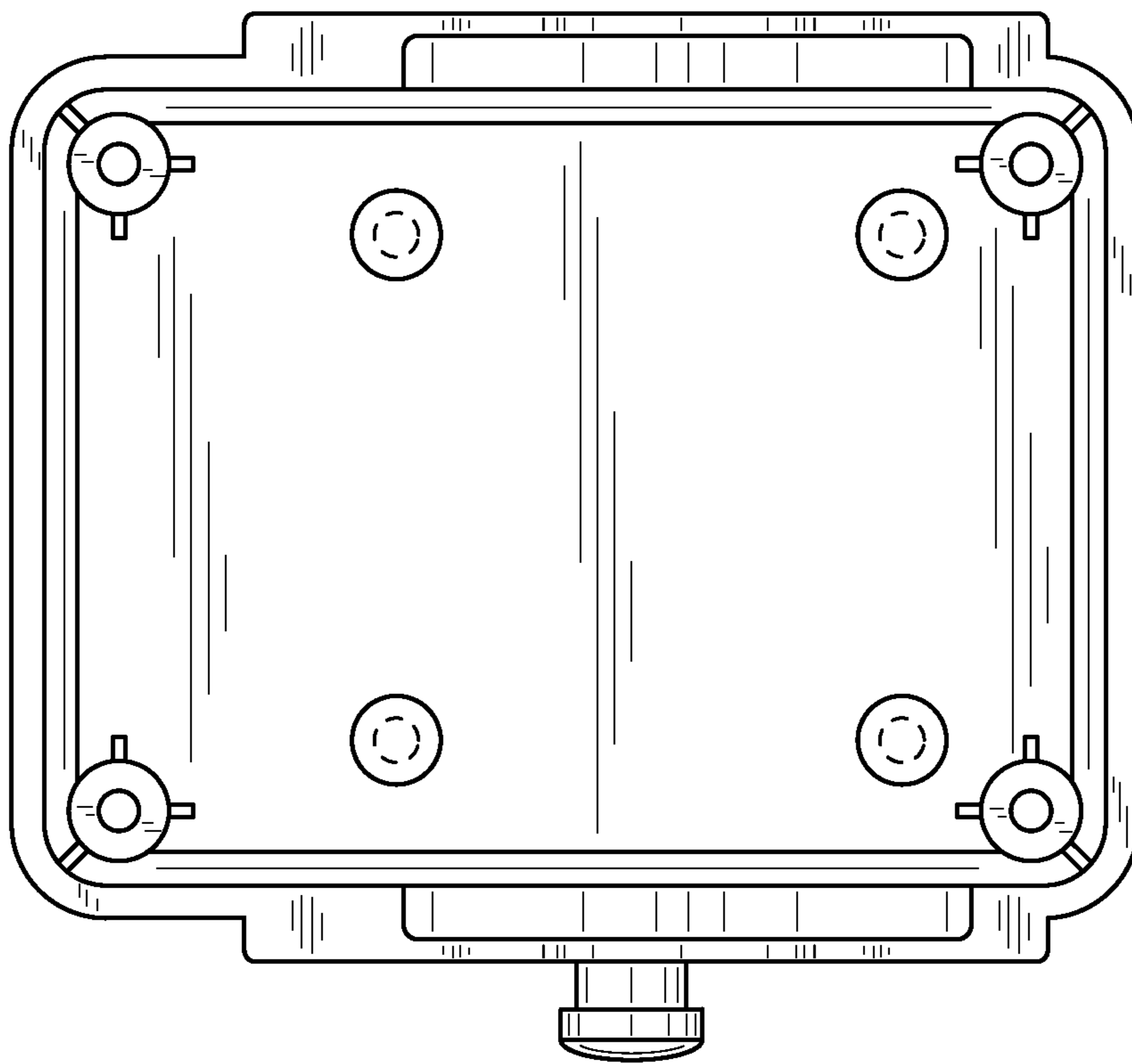


FIG.16