



US00D725603S

(12) **United States Design Patent**
Semans

(10) **Patent No.:** **US D725,603 S**

(45) **Date of Patent:** **** *Mar. 31, 2015**

(54) **WALL PLATE**

(75) Inventor: **Jacob Semans**, Los Angeles, CA (US)

(73) Assignee: **Jacob Semans**, Los Angeles, CA (US)

(*) Notice: This patent is subject to a terminal disclaimer.

(**) Term: **14 Years**

(21) Appl. No.: **29/421,452**

(22) Filed: **Jul. 30, 2012**

(51) **LOC (10) Cl.** **13-03**

(52) **U.S. Cl.**
USPC **D13/156**

(58) **Field of Classification Search**
USPC D13/137.1, 137.2, 138.1, 138.2, 138.3,
D13/138.4, 139.1–139.8, 146, 152, 154,
D13/156, 158, 169, 170, 173, 177;
D14/432, 433; D8/350, 352, 353, 404;
174/50.51, 50.52, 53, 54, 55, 56, 58,
174/59, 66, 67, 350, 505, 521, 559, 560,
174/561; 439/133, 134, 135, 147, 373, 535,
439/536, 544, 555, 607.05, 607.12, 607.53,
439/620.29, 676, 678, 679, 893, 915
See application file for complete search history.

(56) **References Cited**

U.S. PATENT DOCUMENTS

D300,238 S *	3/1989	Kohler et al.	D23/249
D305,863 S *	2/1990	Gresens et al.	D8/352
D346,151 S *	4/1994	Zaugg	D13/158
D405,995 S *	2/1999	Harris	D6/524
D464,630 S *	10/2002	Woodworth	D13/171
D470,822 S *	2/2003	Dyer et al.	D13/156
D471,260 S *	3/2003	Otero	D23/254

D561,560 S *	2/2008	McConnell	D8/353
D635,938 S *	4/2011	Shimizu et al.	D13/162
D658,131 S *	4/2012	Chen et al.	D13/156
D666,471 S *	9/2012	Peckham	D8/353

* cited by examiner

Primary Examiner — Derrick Holland

Assistant Examiner — Lauren Calve

(57) **CLAIM**

The ornamental design for a wall plate, as shown and described.

DESCRIPTION

The present application is related to U.S. Pat. No. D473,447, issued Apr. 22, 2003, included by reference herein.

The present application is related to U.S. Pat. No. D506,382, issued Jul. 21, 2005, included by reference herein.

The present application is related to U.S. Pat. No. D633,776, issued Mar. 8, 2011, included by reference herein.

The present application is related to U.S. Pat. No. D405,995, issued Feb. 23, 1999, included by reference herein.

The present application is related to U.S. Pat. No. D522,353, issued Jun. 6, 2006, included by reference herein.

The present application is related to U.S. Pat. No. D305,863, issued Feb. 6, 1990, included by reference herein.

FIG. 1 is a front elevational view of a wall plate according to my new design;

FIG. 2 is a rear elevational view thereof;

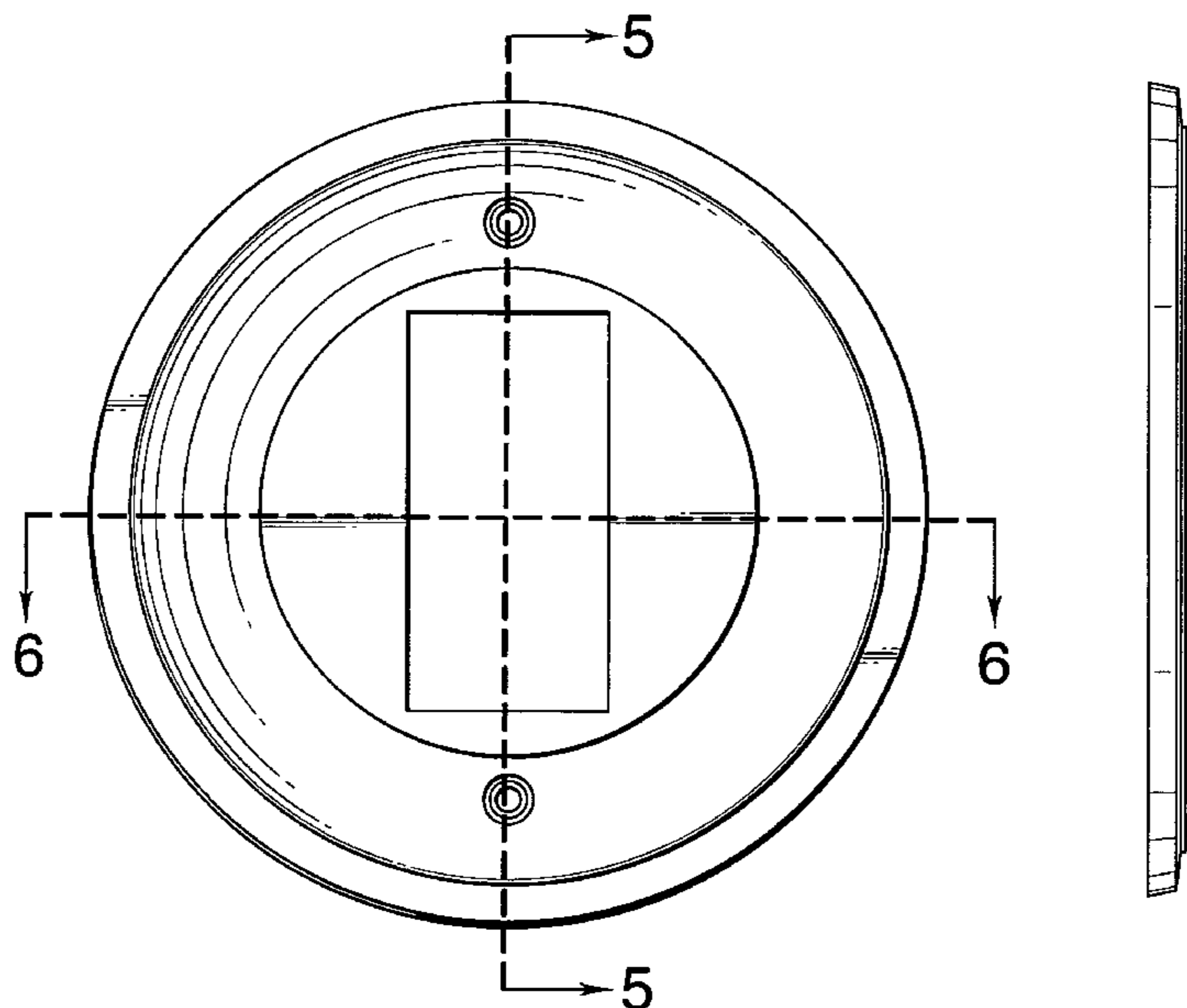
FIG. 3 is a side elevational view thereof, the opposite side being a mirror image thereof;

FIG. 4 is a top plan view thereof, the bottom plan view being a mirror image thereof;

FIG. 5 is a sectional view thereof, taken along lines 5-5 as indicated in FIG. 1; and,

FIG. 6 is a second sectional view, taken along lines 6-6 as indicated in FIG. 1.

1 Claim, 6 Drawing Sheets



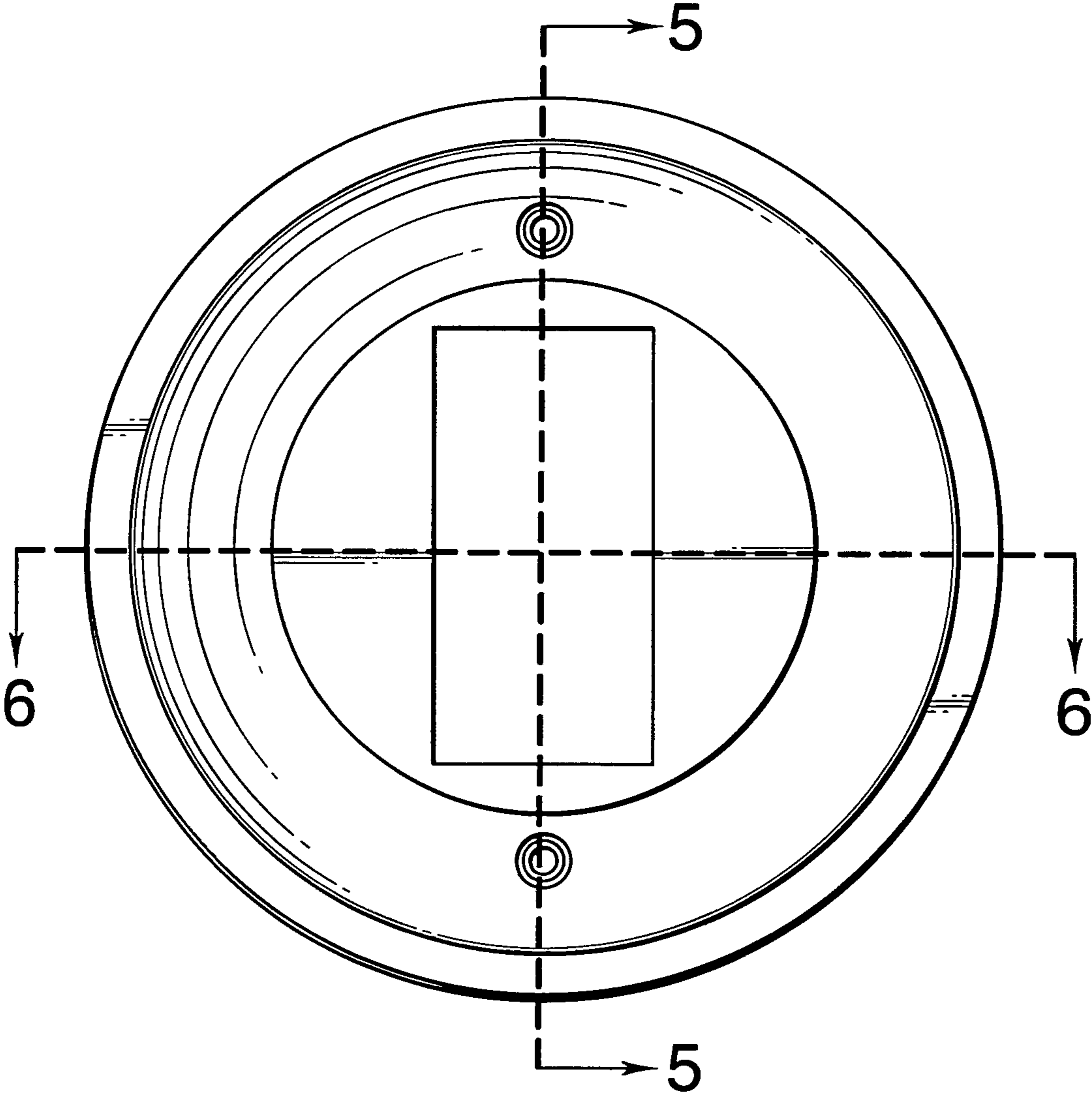


FIG. 1

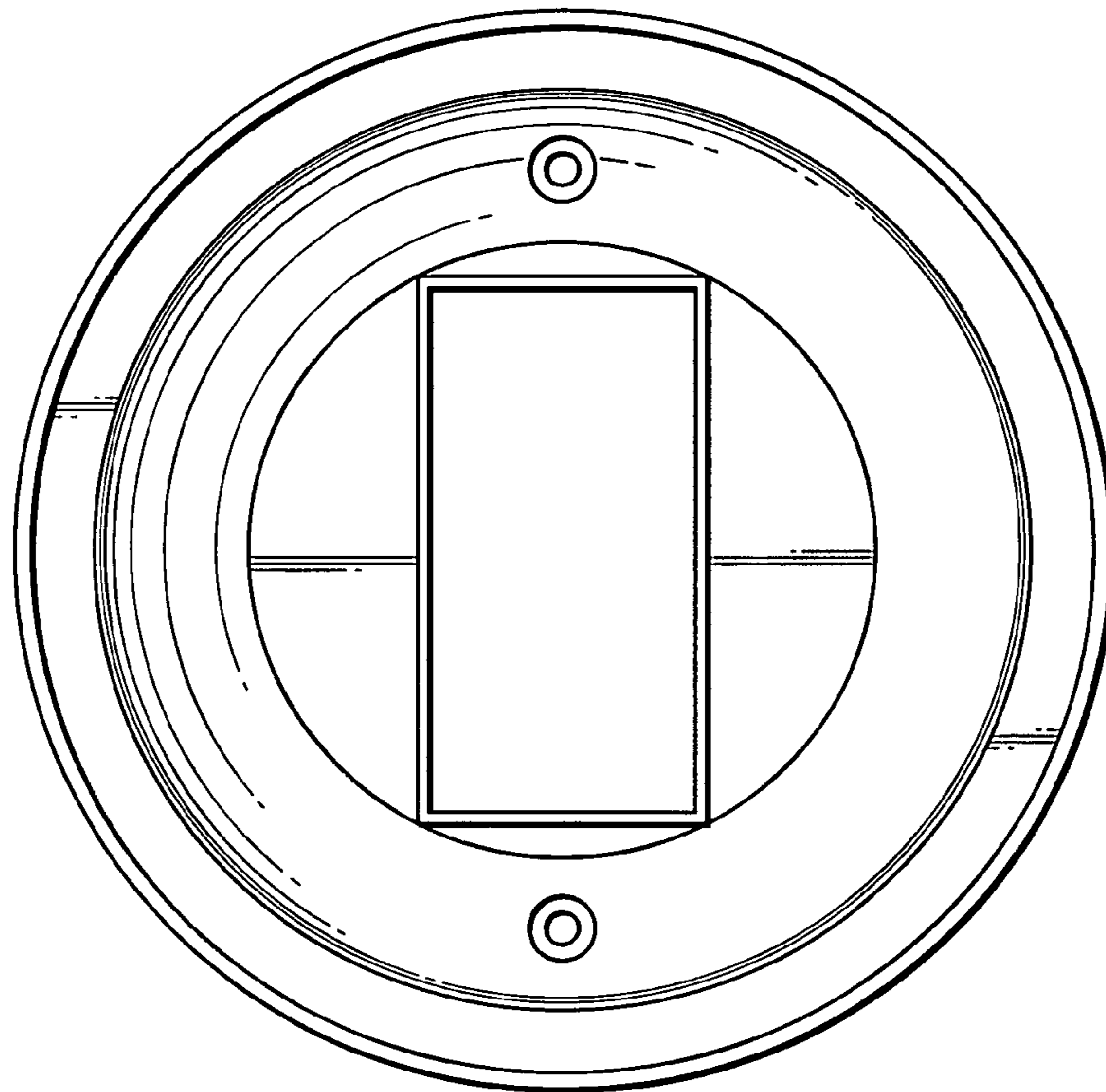


FIG. 2



FIG. 3

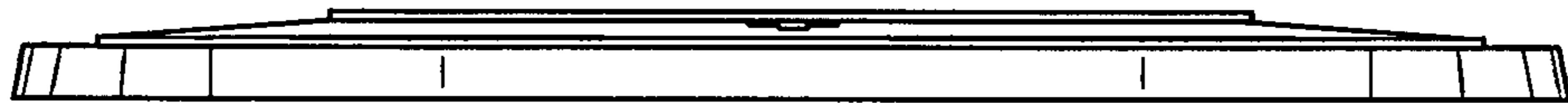


FIG. 4



FIG. 5



FIG. 6