



US00D725599S

(12) **United States Design Patent**
Sakae

(10) **Patent No.:** **US D725,599 S**
(45) **Date of Patent:** **** Mar. 31, 2015**

(54) **ELECTRIC CONNECTION TERMINAL**

(56) **References Cited**

(71) Applicant: **Kobe Steel, Ltd.**, Hyogo (JP)

U.S. PATENT DOCUMENTS

(72) Inventor: **Akira Sakae**, Kobe (JP)

D371,539 S * 7/1996 O’Glee D13/120
6,409,553 B1 * 6/2002 Krause et al. 439/757

(73) Assignee: **Kobe Steel, Ltd.**, Hyogo (JP)

* cited by examiner

(**) Term: **14 Years**

Primary Examiner — Daniel Bui
Assistant Examiner — Sanjeev Paul
(74) *Attorney, Agent, or Firm* — Studebaker & Brackett PC

(21) Appl. No.: **29/478,694**

(57) **CLAIM**
The ornamental design for an electric connection terminal, as shown and described.

(22) Filed: **Jan. 7, 2014**

DESCRIPTION

(30) **Foreign Application Priority Data**

FIG. 1 is a perspective view of an electric connection terminal showing our new design;
FIG. 2 is a front view thereof;
FIG. 3 is a rear view thereof;
FIG. 4 is a left side view thereof;
FIG. 5 is a right side view thereof;
FIG. 6 is a top view thereof; and,
FIG. 7 is a bottom view thereof.

Jul. 16, 2013 (JP) D2013-016104

(51) **LOC (10) Cl.** **13-03**

(52) **U.S. Cl.**
USPC **D13/154**

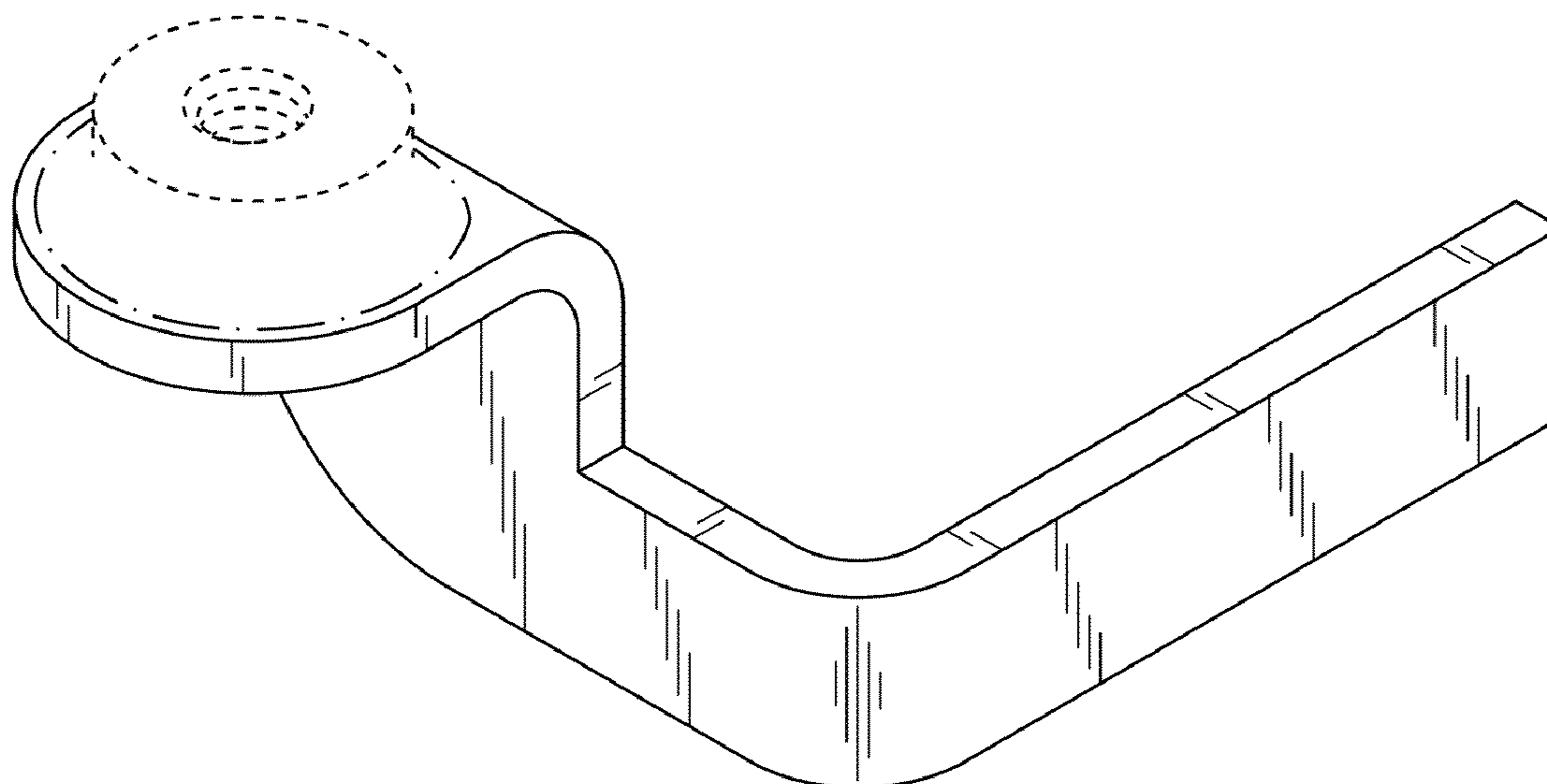
(58) **Field of Classification Search**
USPC D13/107, 108, 109, 117, 118, 119, 120,
D13/154, 184, 199

The even-broken line in the figure drawings is included for the purpose of illustrating environment and forms no part of the claimed design.

The dashed lines show a borderline between the claimed design and other portion.

See application file for complete search history.

1 Claim, 4 Drawing Sheets



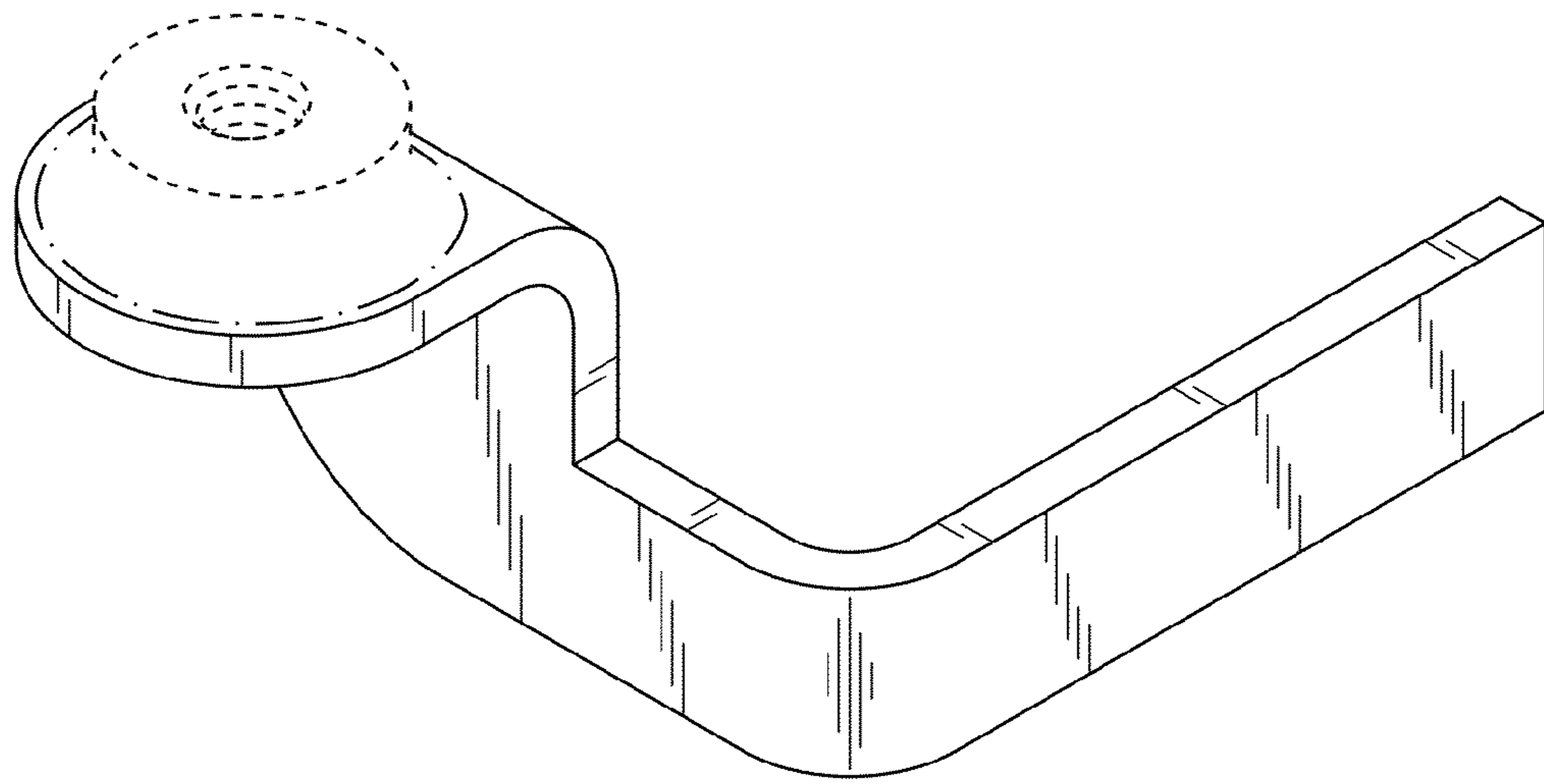


FIG. 1

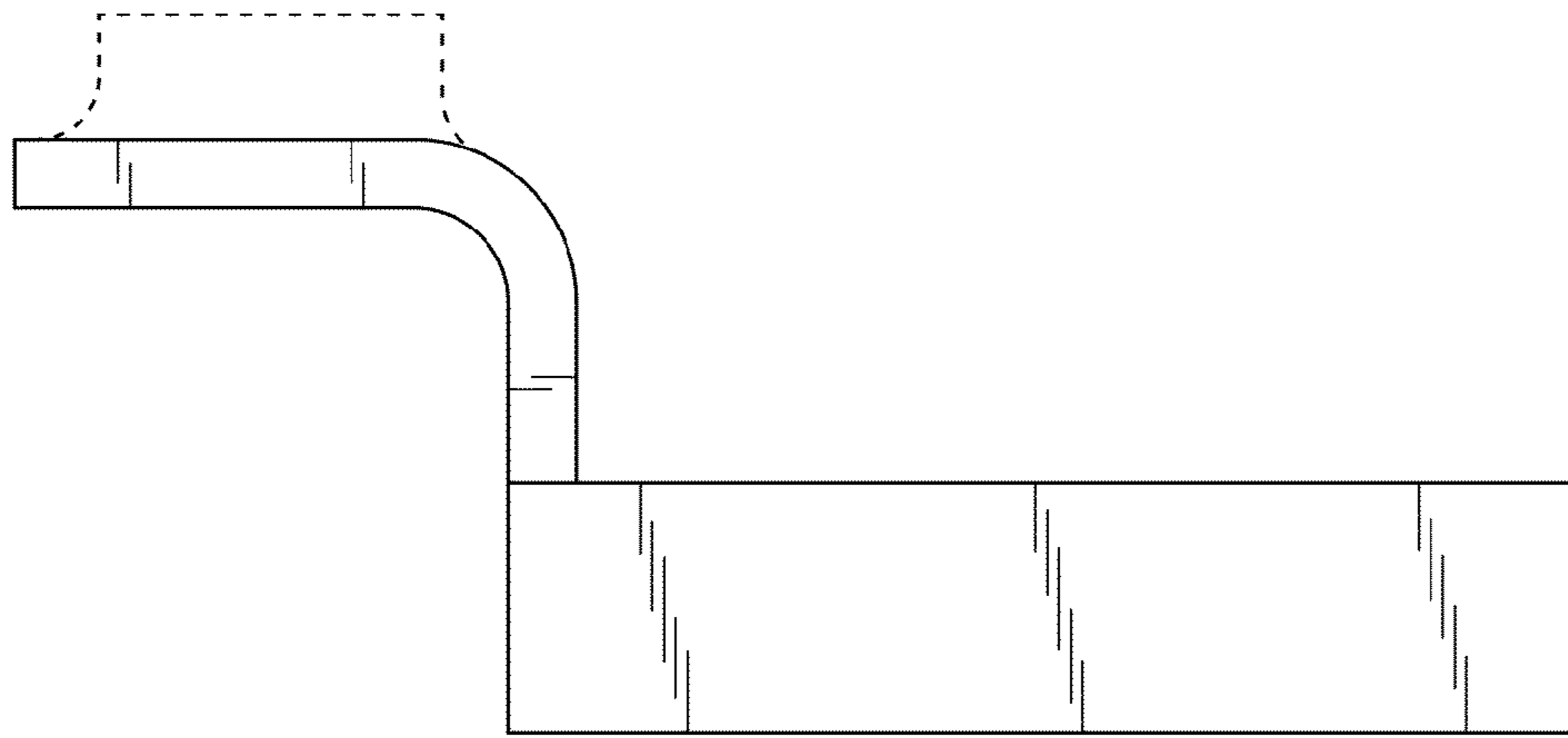


FIG. 2

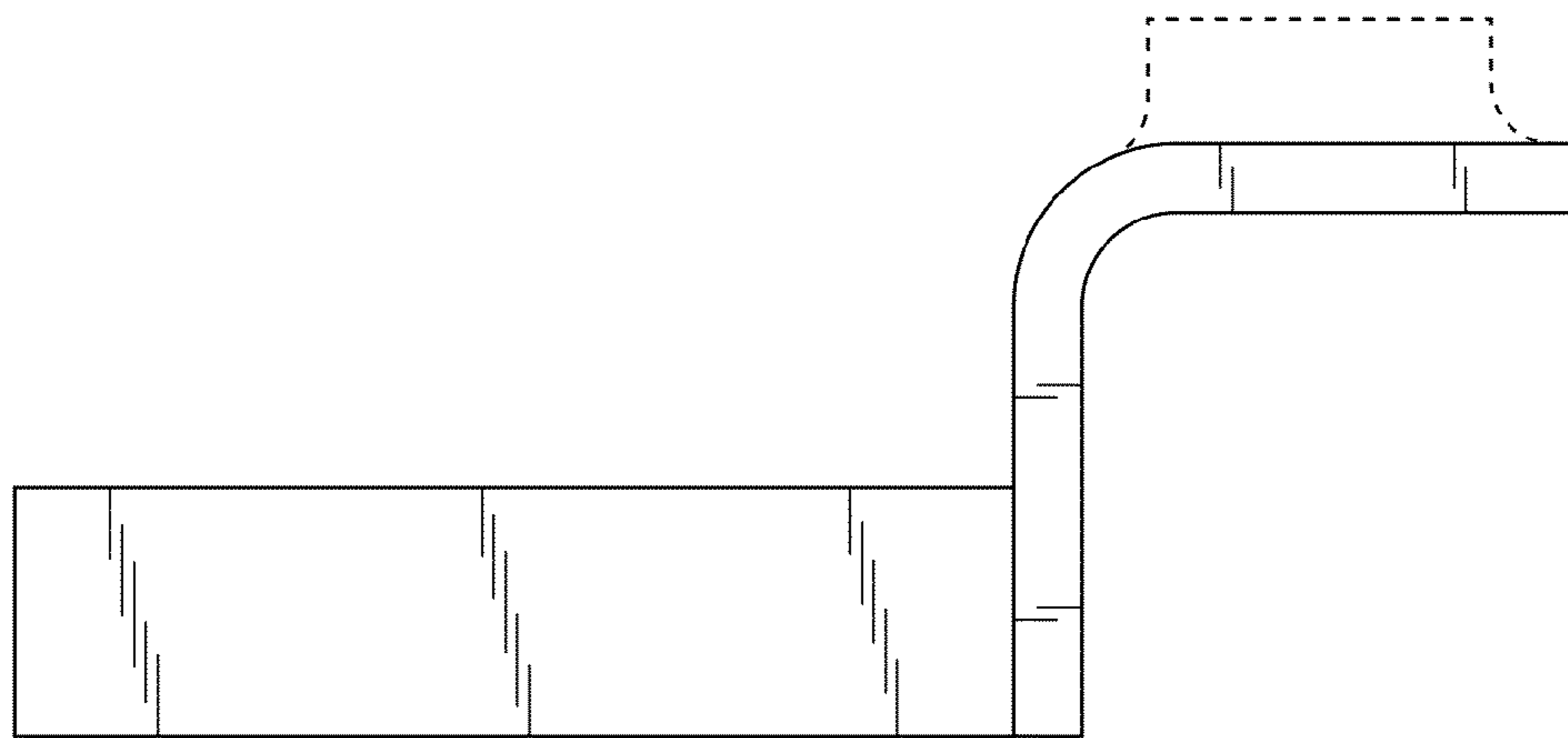


FIG. 3

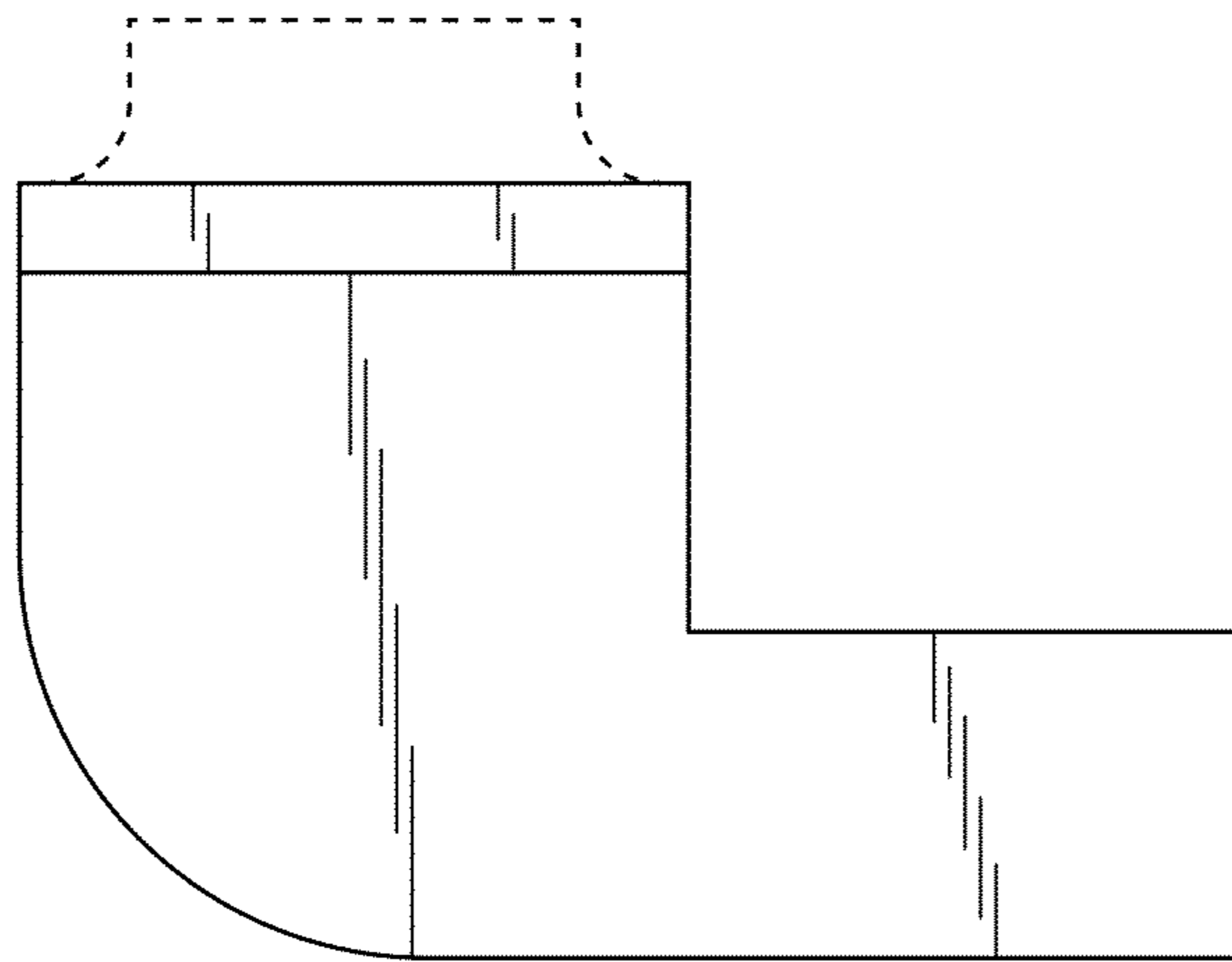


FIG. 4

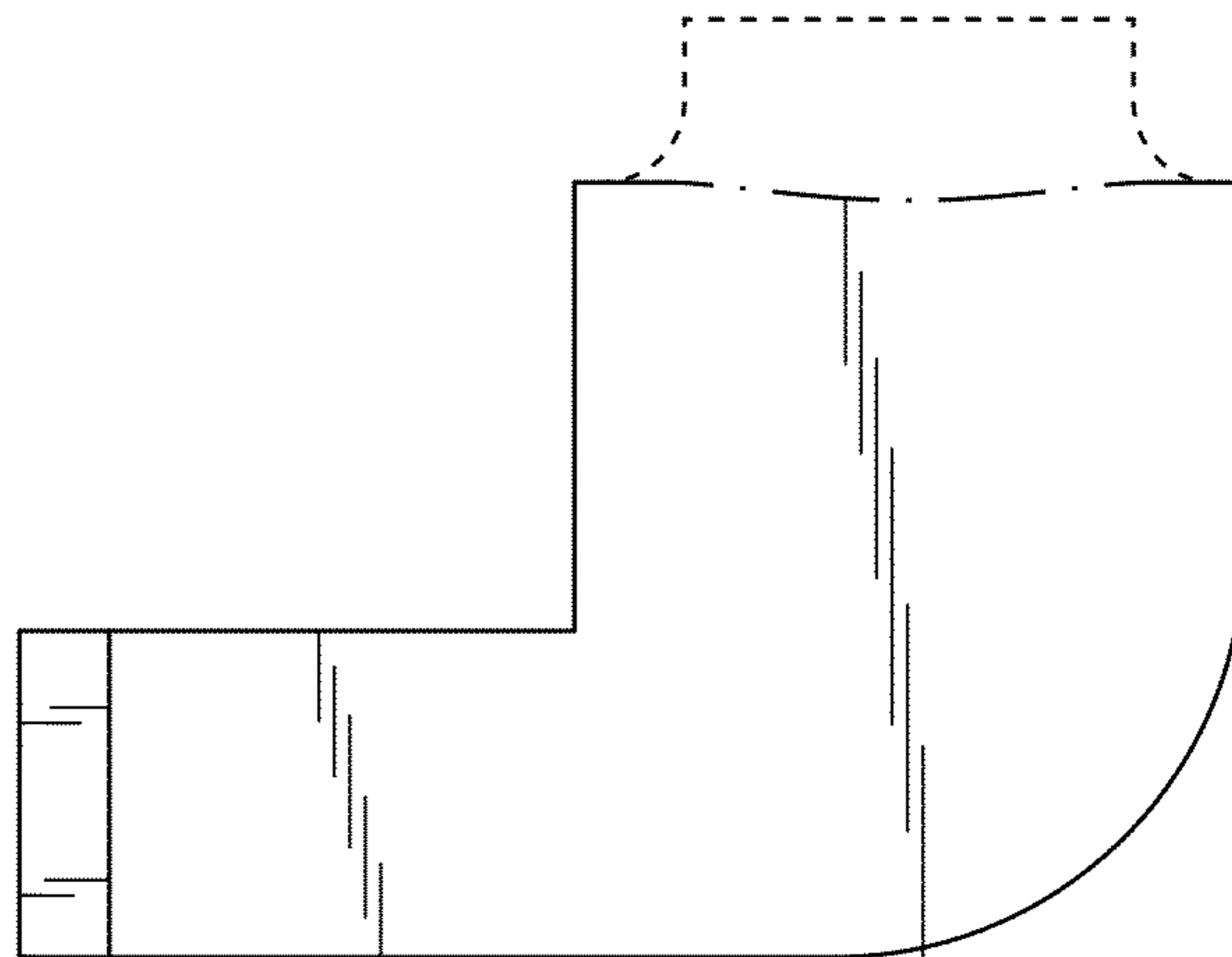


FIG. 5

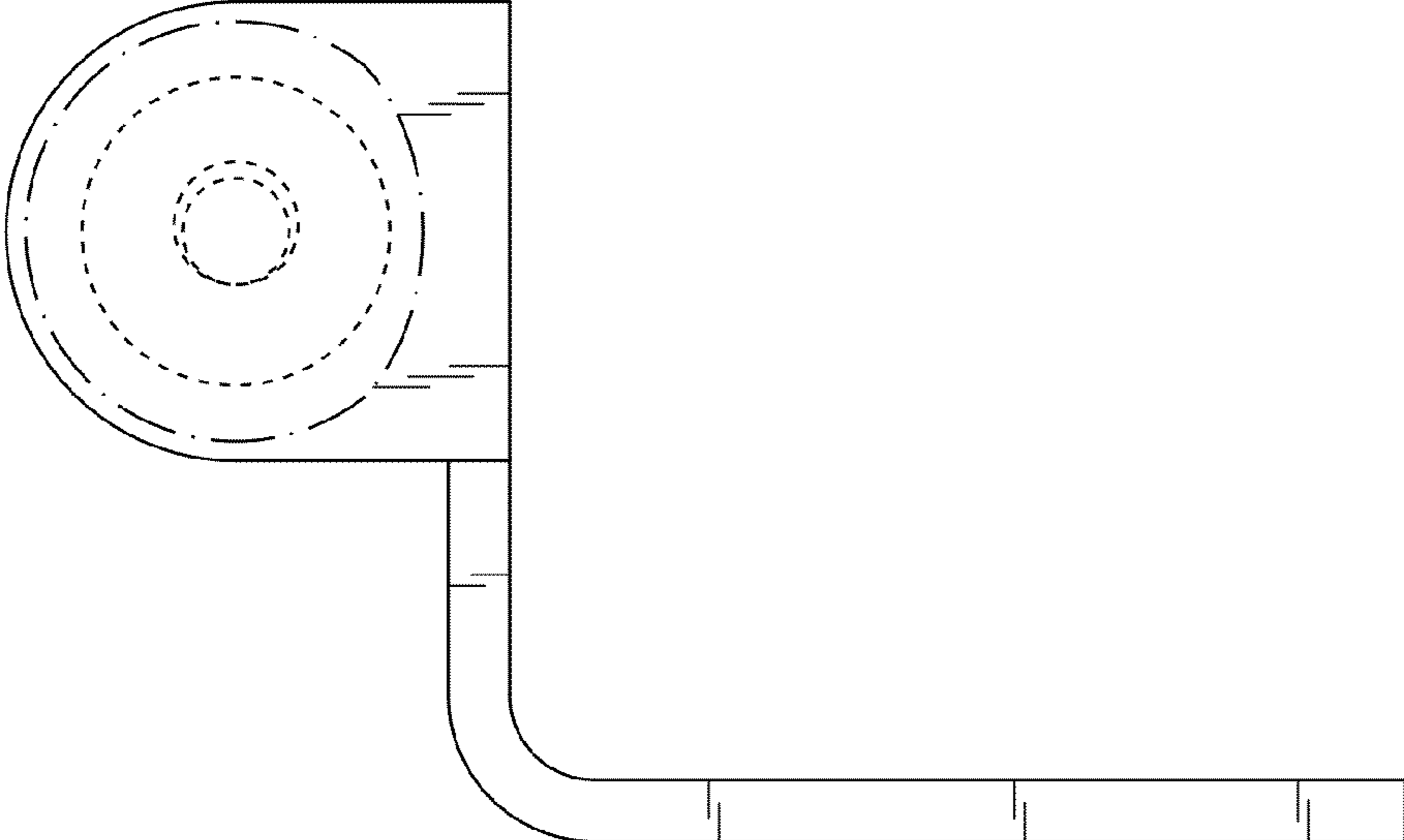


FIG.6

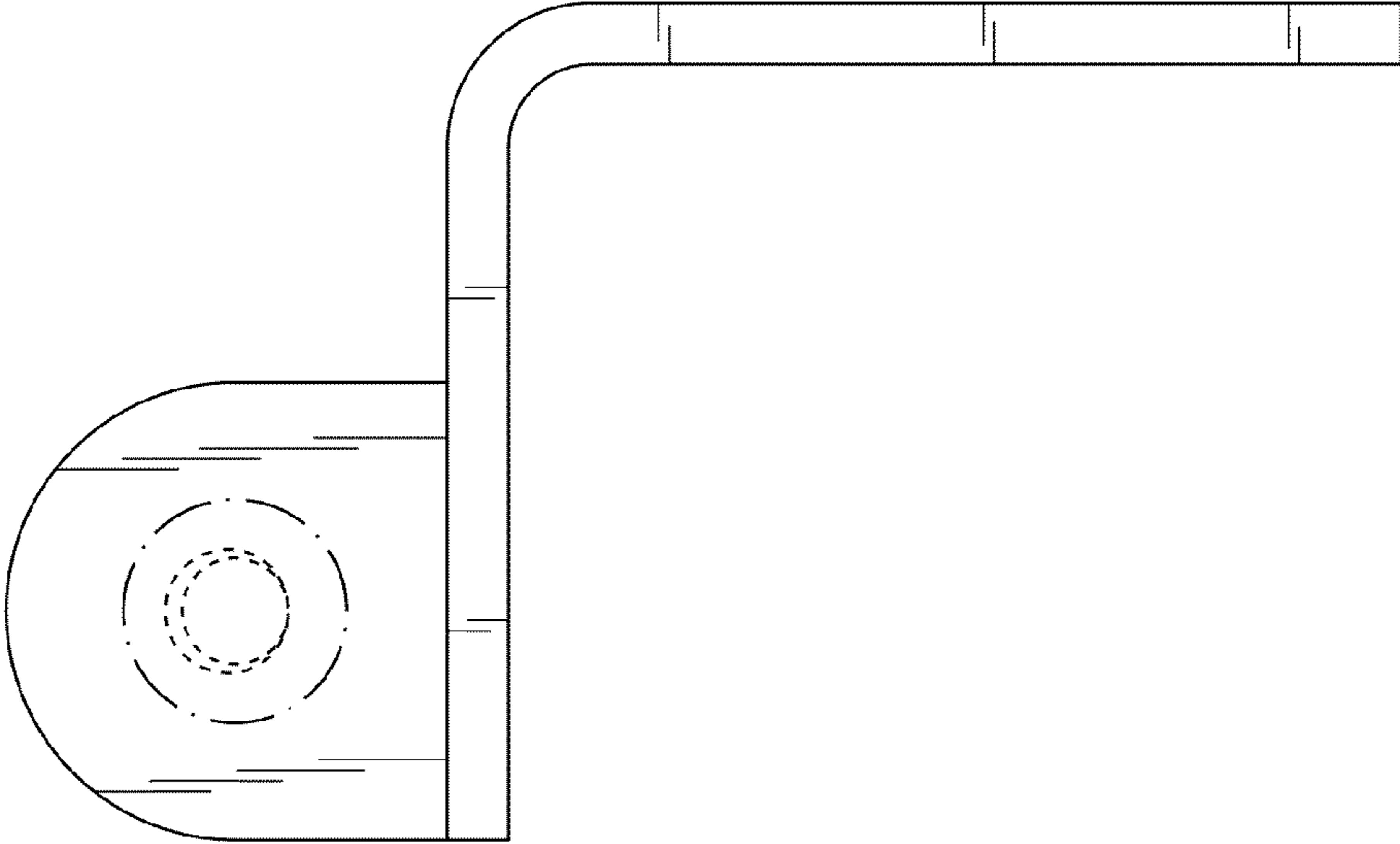


FIG.7