



US00D725598S

(12) **United States Design Patent**  
**Nook et al.**

(10) **Patent No.:** **US D725,598 S**  
(45) **Date of Patent:** **\*\* Mar. 31, 2015**

(54) **ELECTRICAL CONNECTOR**  
(71) Applicant: **The Noco Company**, Glenwillow, OH (US)  
(72) Inventors: **Jonathan Lewis Nook**, Gates Mills, OH (US); **William Knight Nook, Sr.**, Shaker Heights, OH (US); **James Richard Stanfield**, Peoria, AZ (US); **Derek Michael Underhill**, Tempe, AZ (US)  
(73) Assignee: **The Noco Company**, Glenwillow, OH (US)

5,342,222 A *	8/1994	Tanaka .....	439/708
D361,745 S *	8/1995	Geroux et al. ....	D13/120
D411,983 S *	7/1999	Awbrey .....	D13/148
D444,772 S *	7/2001	Milan .....	D13/154
D465,205 S *	11/2002	Orpilla et al. ....	D13/154
D473,194 S *	4/2003	Lee .....	D13/154
D542,224 S *	5/2007	Victor .....	D13/154
D543,154 S *	5/2007	Suckle et al. ....	D13/154
D567,184 S *	4/2008	Victor .....	D13/156
D573,536 S *	7/2008	Hariharsan et al. ....	D13/133
D604,251 S *	11/2009	Hwang .....	D13/154
8,491,341 B2 *	7/2013	Bower et al. ....	439/638
D708,140 S *	7/2014	Nook et al. ....	D13/133

\* cited by examiner

(\*\*) Term: **14 Years**

*Primary Examiner* — Derrick Holland  
*Assistant Examiner* — Jennifer O King

(21) Appl. No.: **29/486,655**

(74) *Attorney, Agent, or Firm* — Vorys, Sater, Seymour and Pease LLP; William L. Klima

(22) Filed: **Apr. 1, 2014**

(51) **LOC (10) Cl.** ..... **13-03**  
(52) **U.S. Cl.**  
USPC ..... **D13/148; D13/120**

(57) **CLAIM**  
The ornamental design for an electrical connector, as shown and described.

(58) **Field of Classification Search**  
USPC ..... D13/107, 110, 120, 133, 146, 148, 149, D13/156, 184, 199; 439/248, 258, 274, 447, 439/603, 660, 607.01, 677, 680, 682, 686, 439/755; 174/74 R, 84 C  
See application file for complete search history.

**DESCRIPTION**

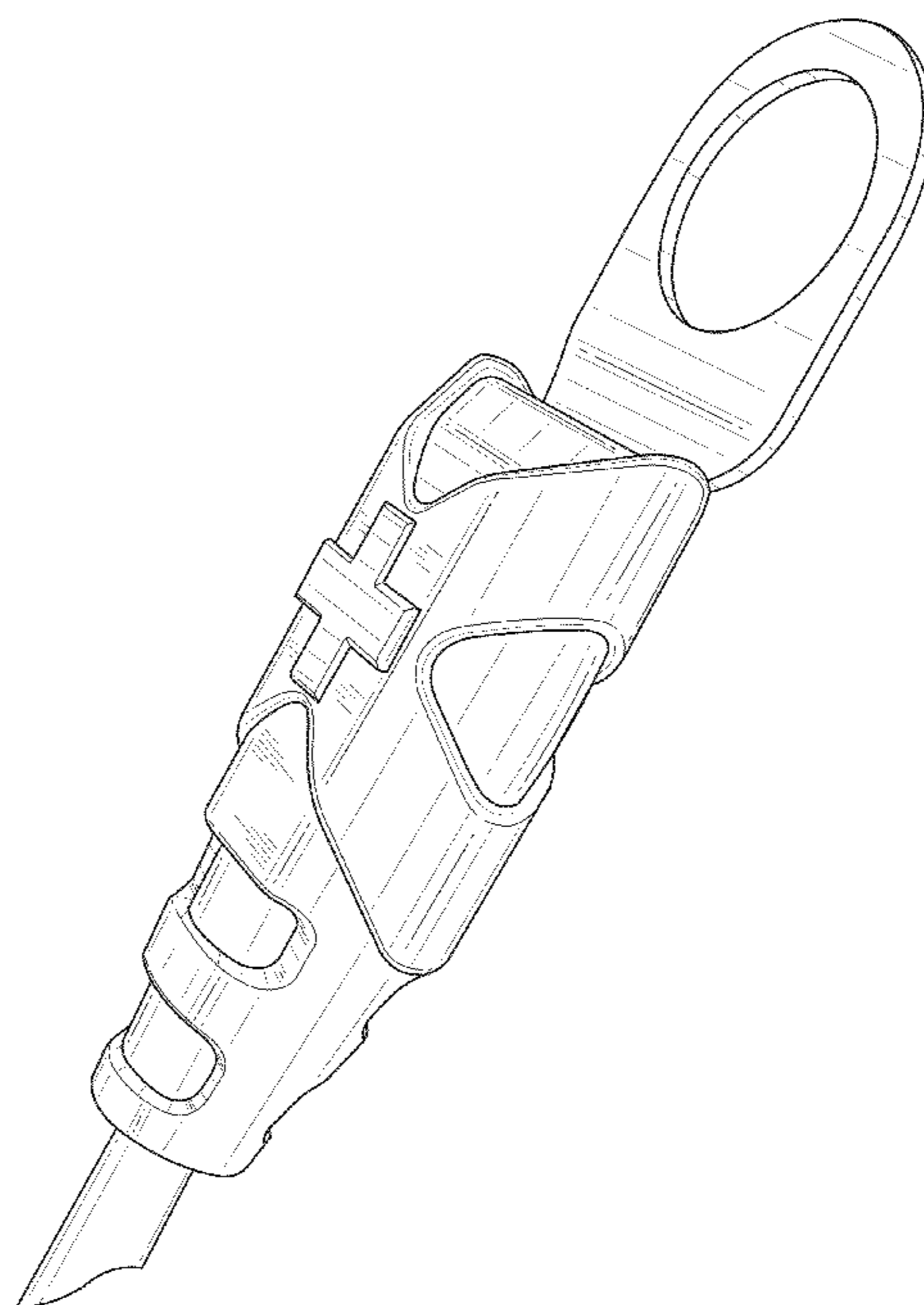
FIG. 1 is a perspective view for a electrical connector;  
FIG. 2 is a front elevational view thereof;  
FIG. 3 is a rear elevational view thereof;  
FIG. 4 is a left-side view thereof;  
FIG. 5 is a right-side view thereof;  
FIG. 6 is a top plan view thereof; and,  
FIG. 7 is a bottom plan view thereof.

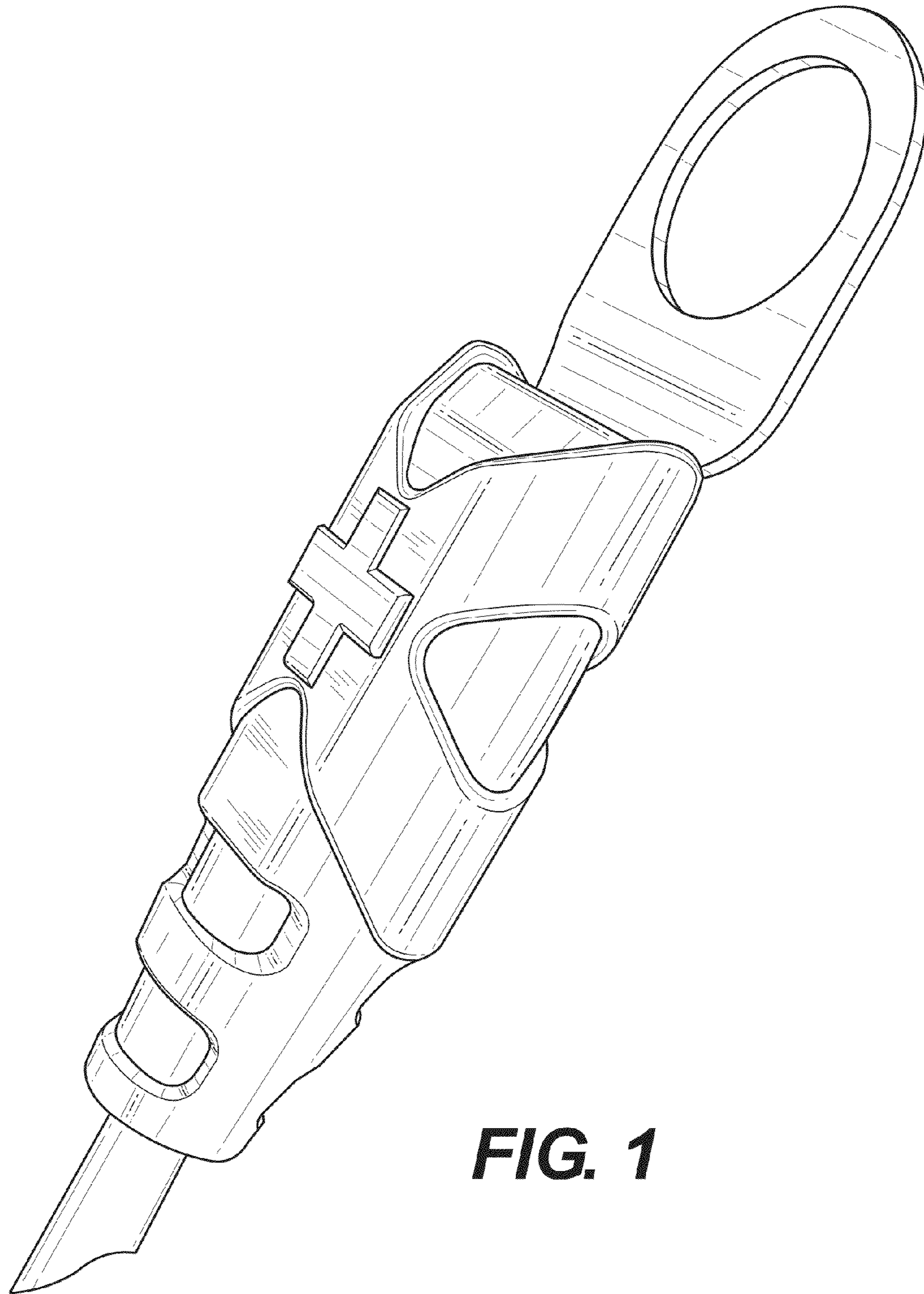
(56) **References Cited**

U.S. PATENT DOCUMENTS

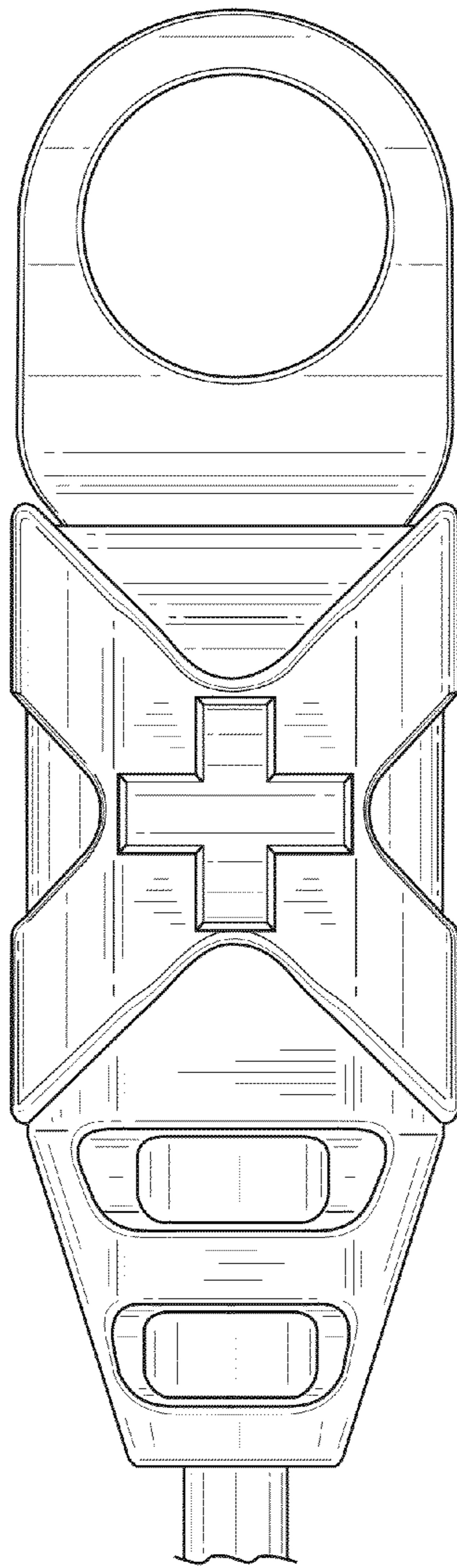
3,794,957 A *	2/1974	Winkler .....	439/295
3,895,851 A *	7/1975	Bolton et al. ....	439/387

**1 Claim, 4 Drawing Sheets**

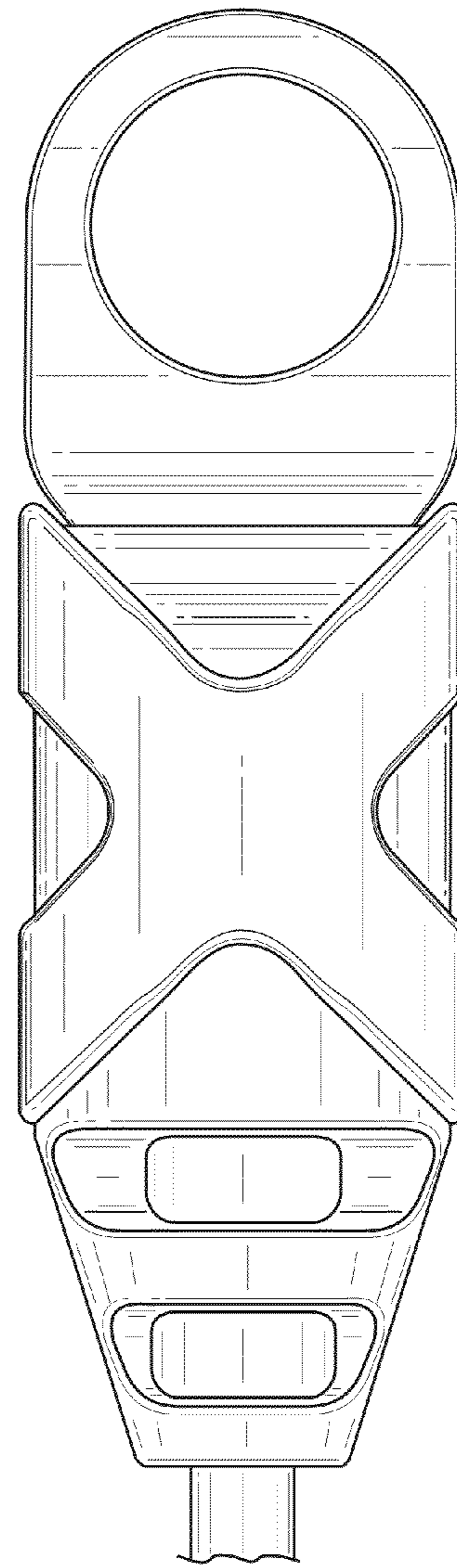




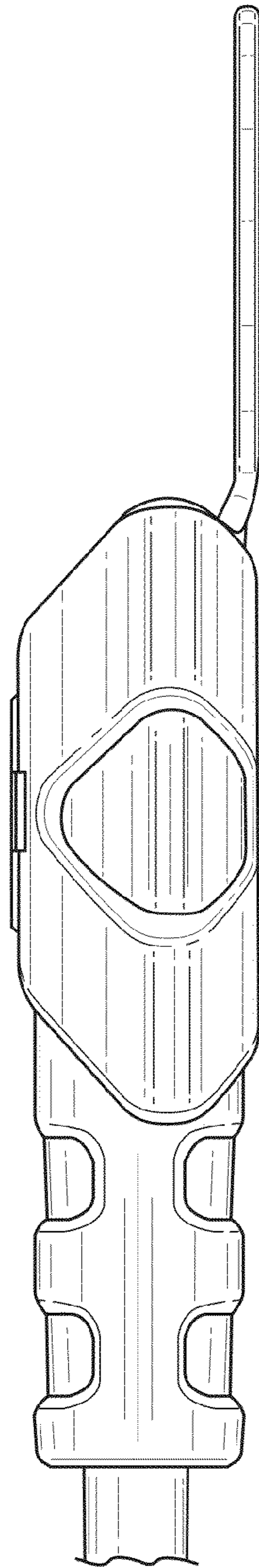
**FIG. 1**



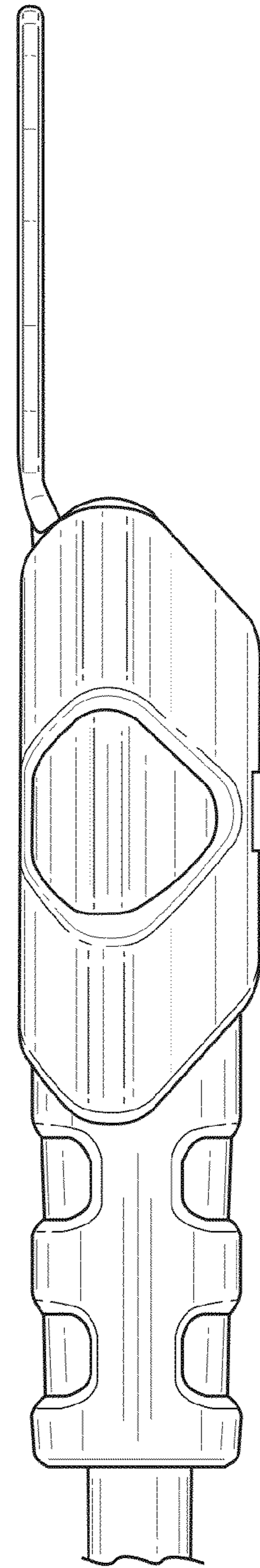
**FIG. 2**



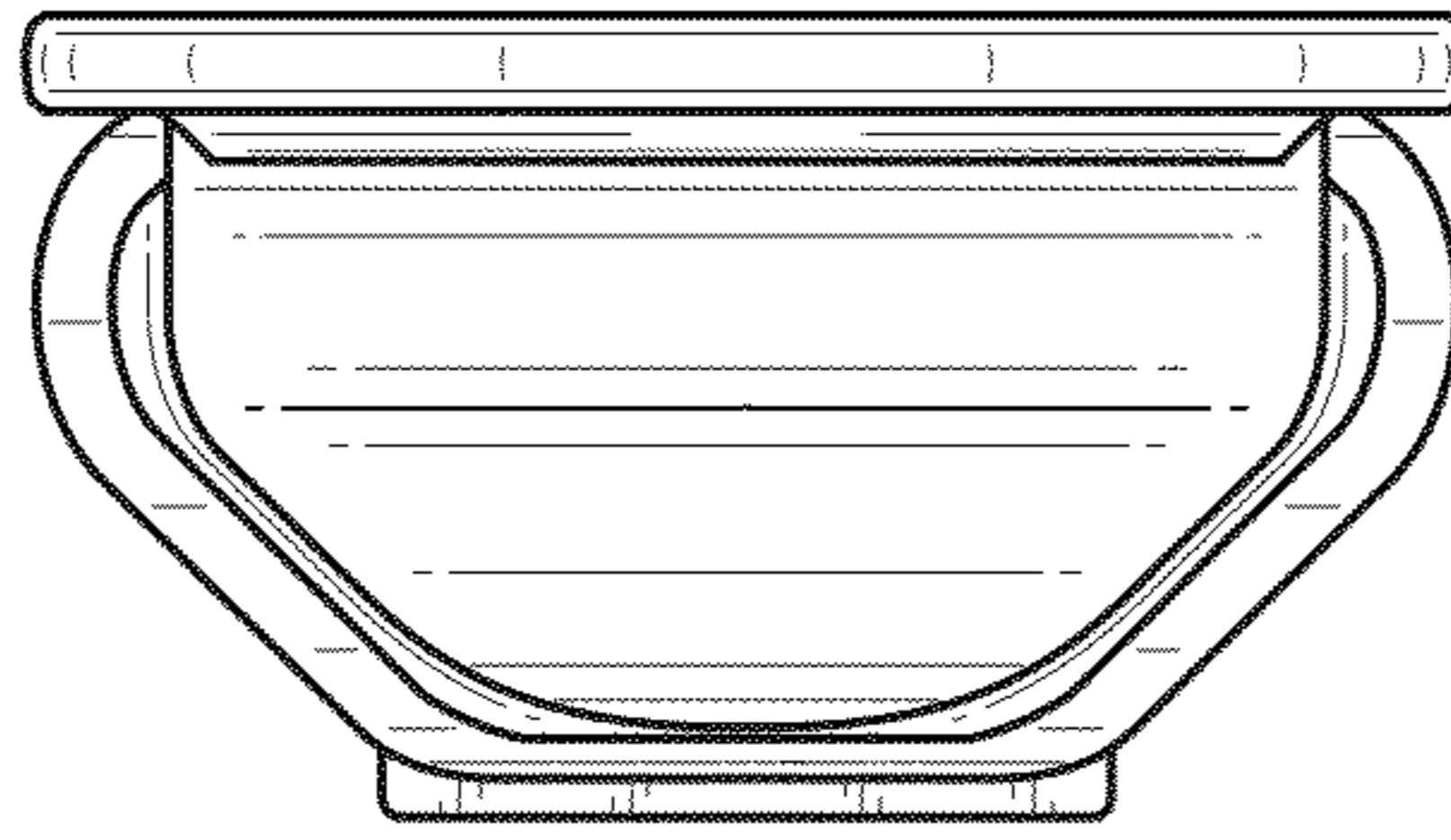
**FIG. 3**



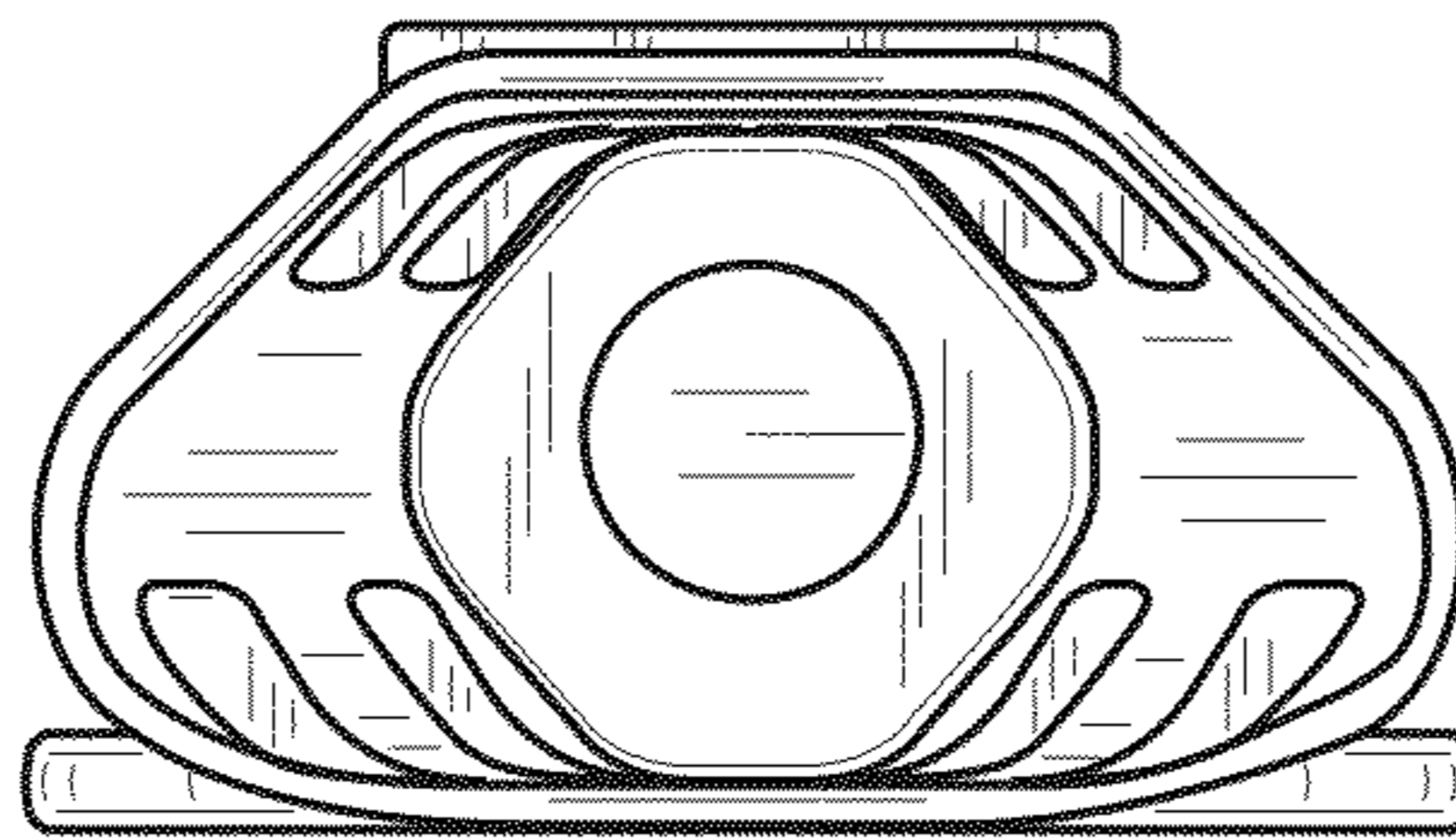
**FIG. 4**



**FIG. 5**



**FIG. 6**



**FIG. 7**