



US00D725597S

(12) **United States Design Patent**  
**Yamashita**

(10) **Patent No.:** **US D725,597 S**  
(45) **Date of Patent:** **\*\* Mar. 31, 2015**

(54) **ELECTRICAL CONNECTOR**

(71) Applicant: **Japan Aviation Electronics Industry, Limited**, Tokyo (JP)

(72) Inventor: **Masaki Yamashita**, Tokyo (JP)

(73) Assignee: **Japan Aviation Electronics Industry, Limited**, Tokyo (JP)

(\*\*) Term: **14 Years**

(21) Appl. No.: **29/473,321**

(22) Filed: **Nov. 21, 2013**

(30) **Foreign Application Priority Data**

Jun. 5, 2013 (JP) ..... 2013-012601

(51) **LOC (10) Cl.** ..... **13-03**

(52) **U.S. Cl.**  
USPC ..... **D13/147**

(58) **Field of Classification Search**  
USPC ..... D13/147, 154, 184, 199; 439/62, 260,  
439/325, 329, 395, 422, 492-499

See application file for complete search history.

(56) **References Cited**

U.S. PATENT DOCUMENTS

D454,114 S	3/2002	Hayashi et al.	
D470,109 S	2/2003	Yokoyama et al.	
D481,998 S *	11/2003	Saito et al. ....	D13/147
D497,344 S *	10/2004	Huang .....	D13/147
D499,379 S	12/2004	Zhu et al.	
D600,647 S *	9/2009	Hemmi et al. ....	D13/147
D670,252 S *	11/2012	Sasaki .....	D13/147

\* cited by examiner

*Primary Examiner* — Daniel Bui

(74) *Attorney, Agent, or Firm* — Cermak Nakajima & McGowan LLP; Tomoko Nakajima

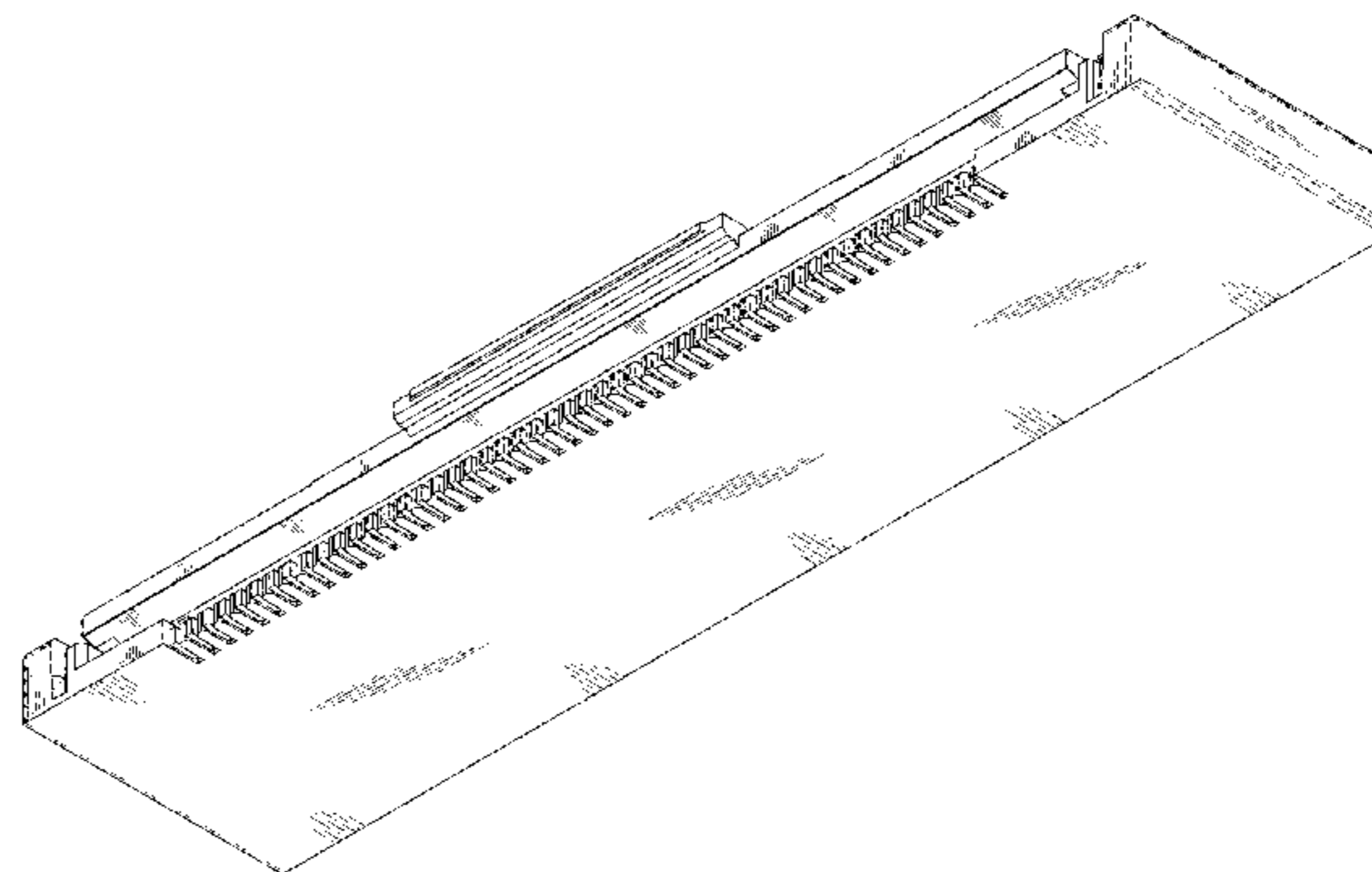
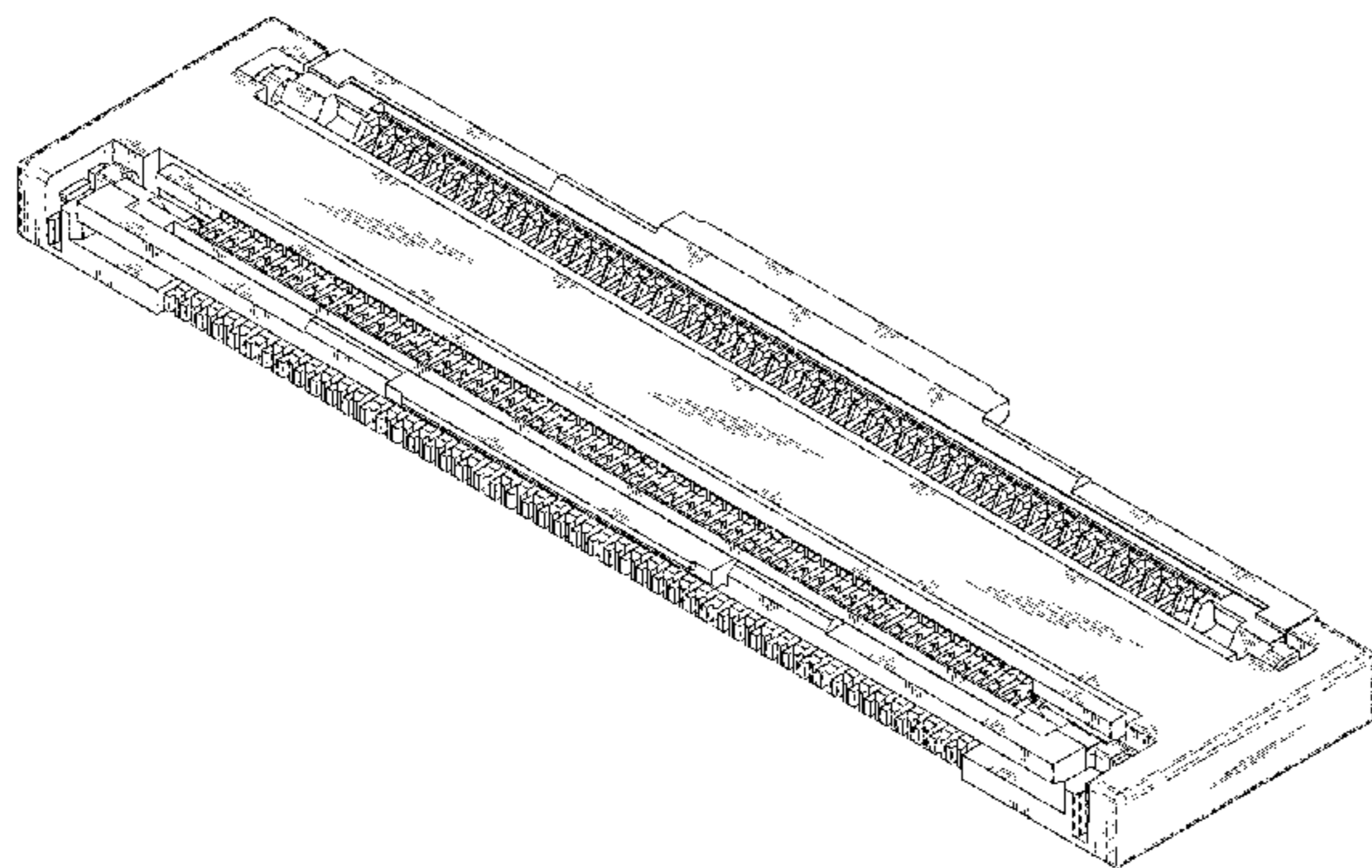
(57) **CLAIM**

The ornamental design for an electrical connector, as shown.

**DESCRIPTION**

FIG. 1 is a front elevational view of an electrical connector showing my new design;  
FIG. 2 is a top plan view thereof;  
FIG. 3 is a right side elevational view thereof;  
FIG. 4 is a left side elevational view thereof;  
FIG. 5 is a rear elevational view thereof; and  
FIG. 6 is a bottom plan view thereof.  
FIG. 7 is a front and top perspective view thereof;  
FIG. 8 is a rear and top perspective view thereof;  
FIG. 9 is a front and bottom perspective view thereof; and  
FIG. 10 is a rear and bottom perspective view thereof.

**1 Claim, 10 Drawing Sheets**



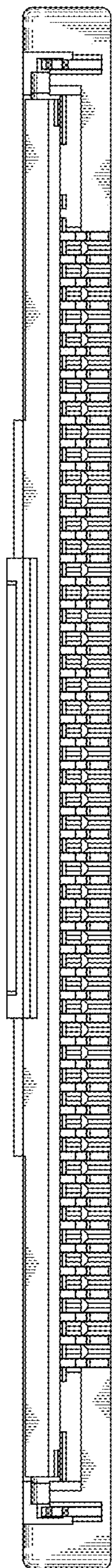


FIG.1

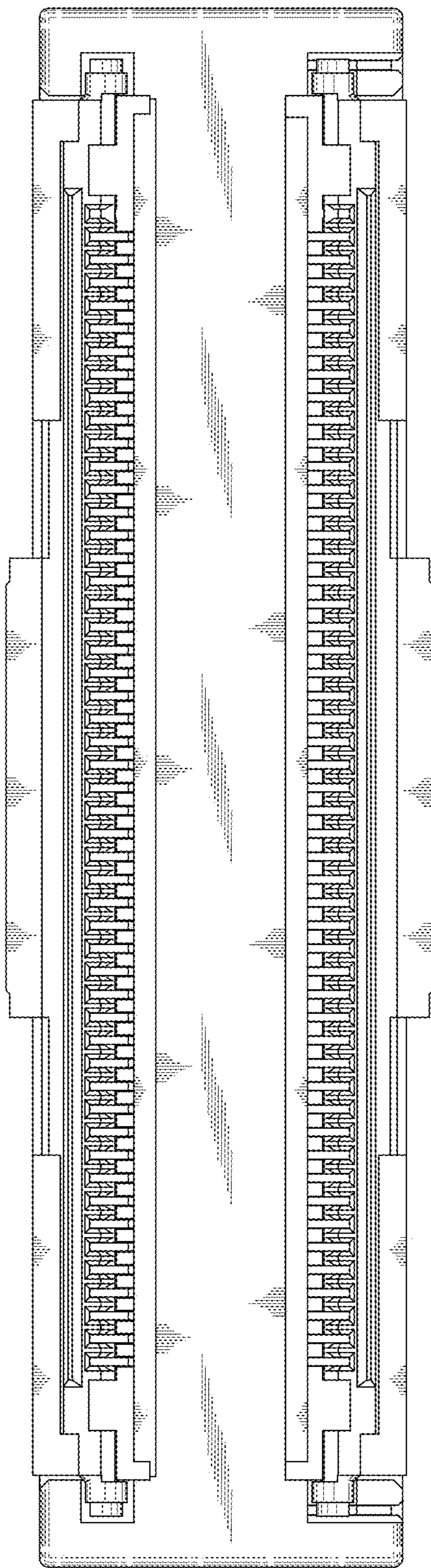


FIG.2

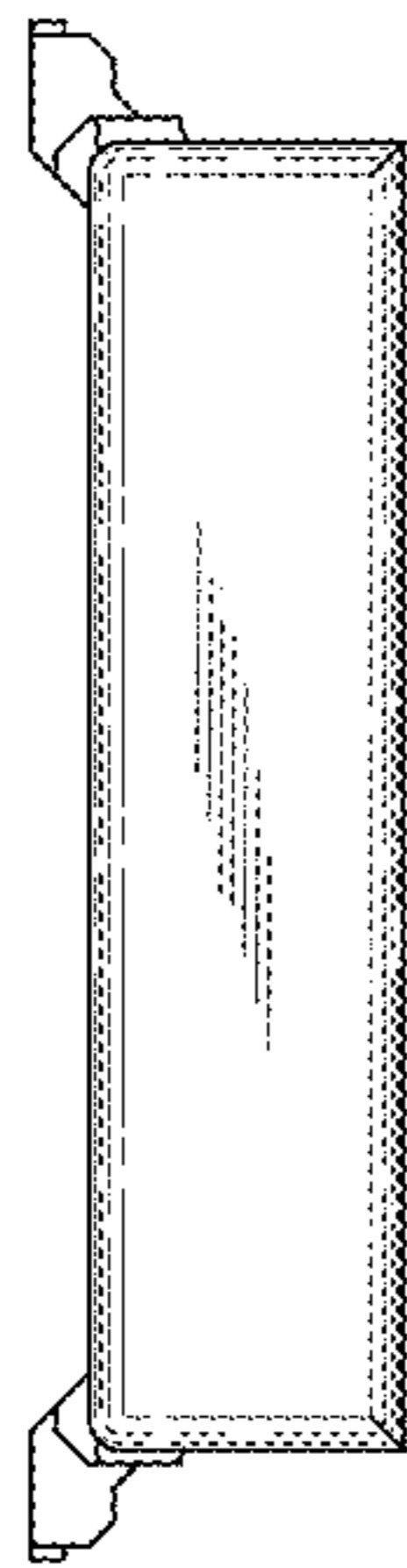


FIG. 3



FIG.4

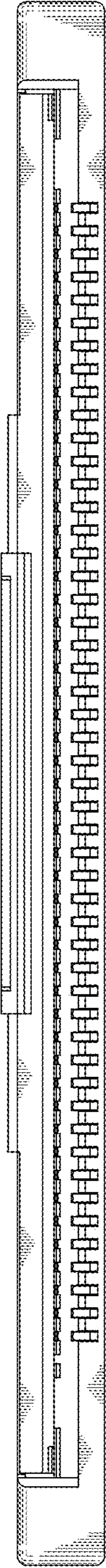


FIG.5

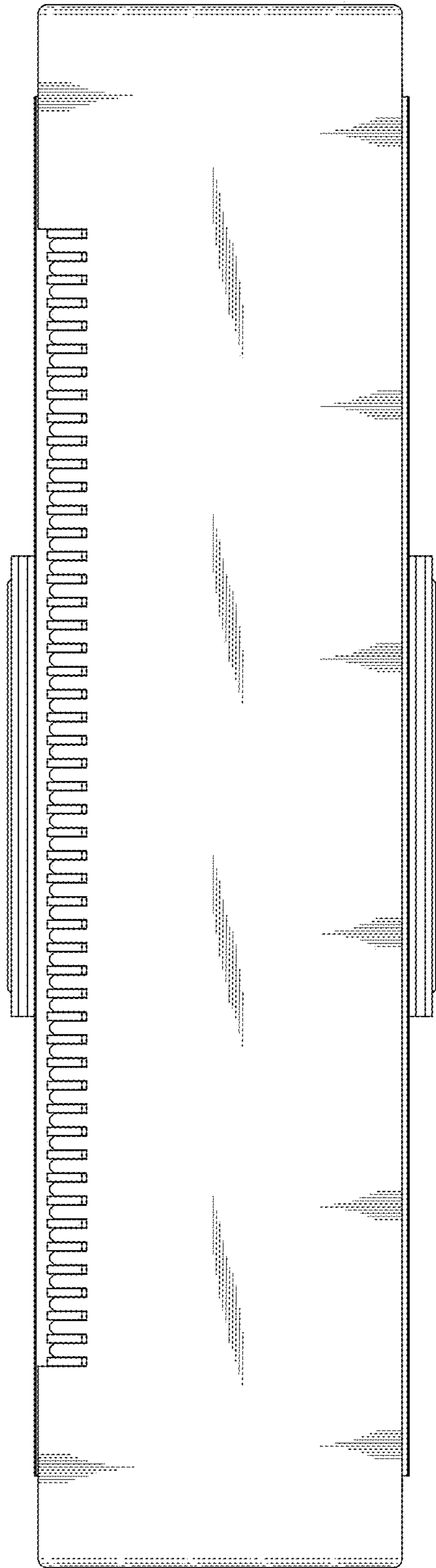


FIG.6

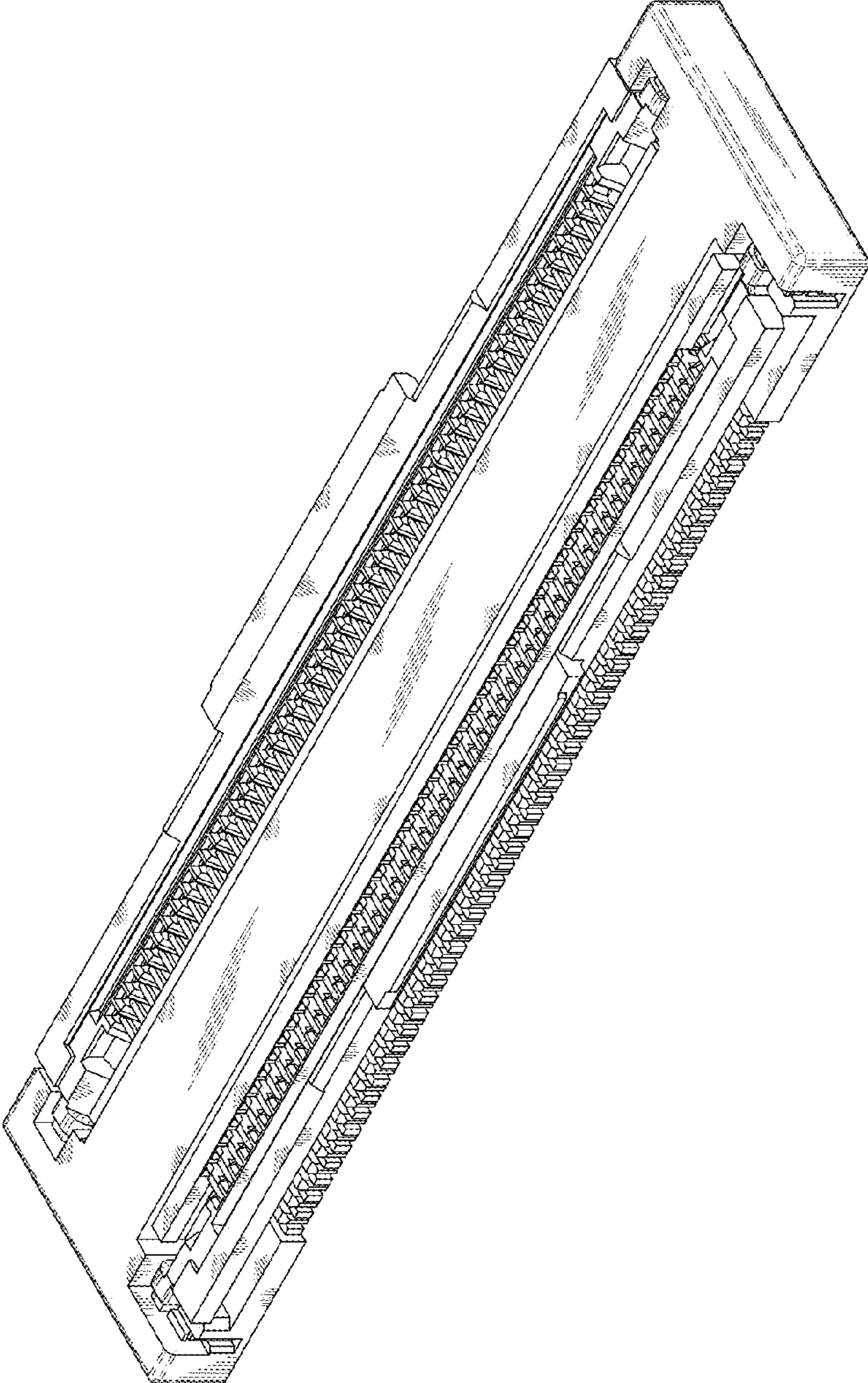


FIG.7



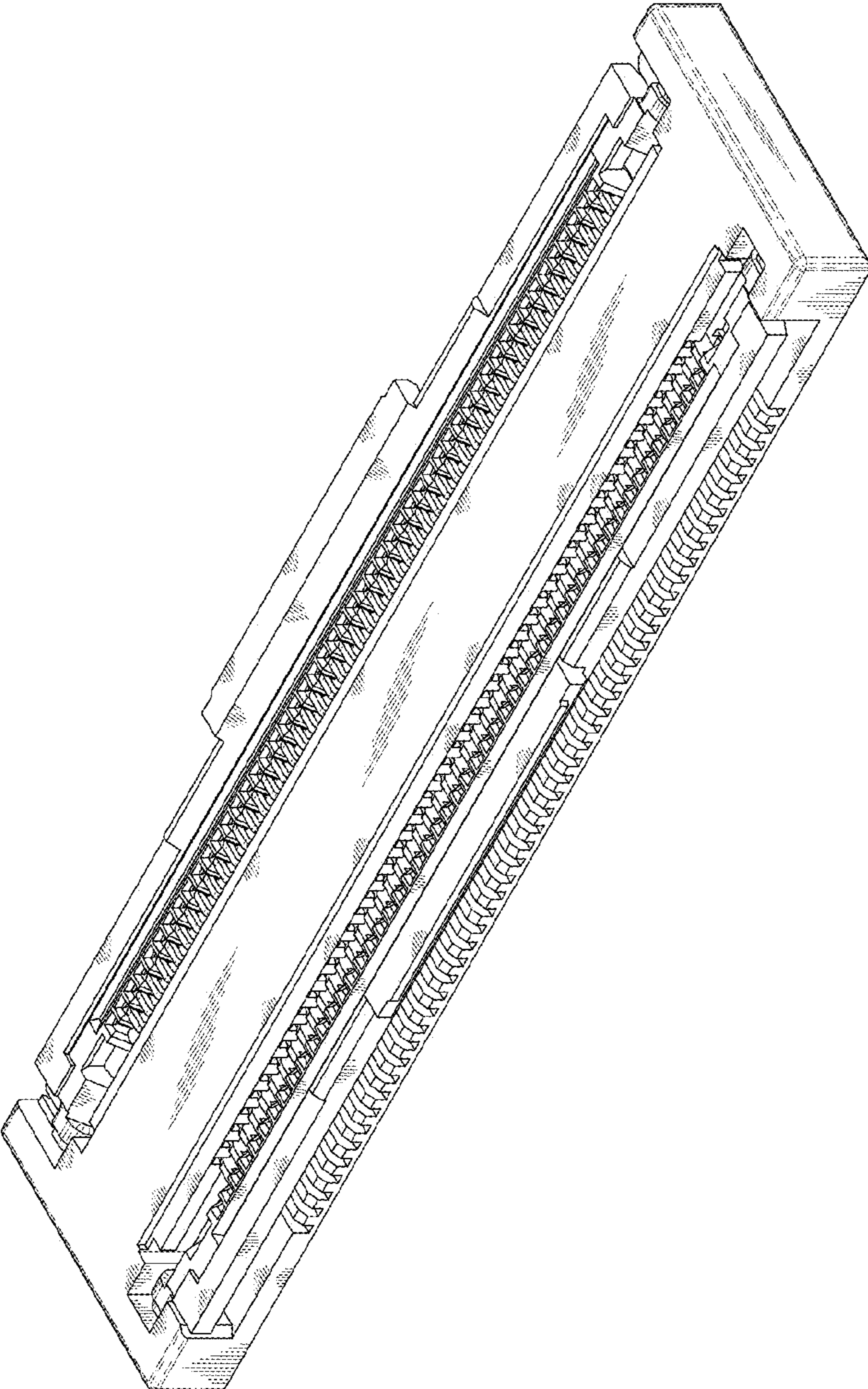


FIG. 8

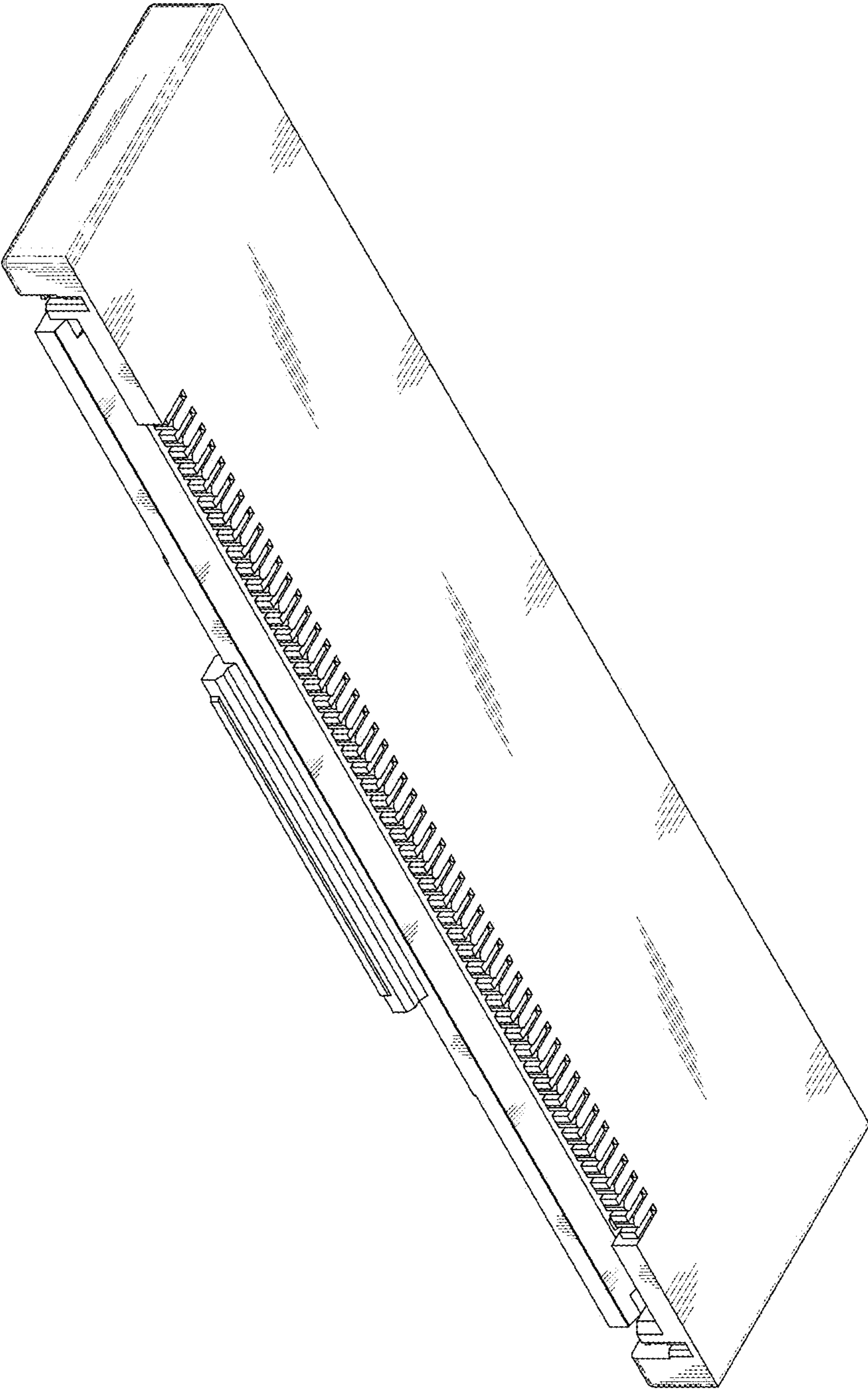


FIG. 9

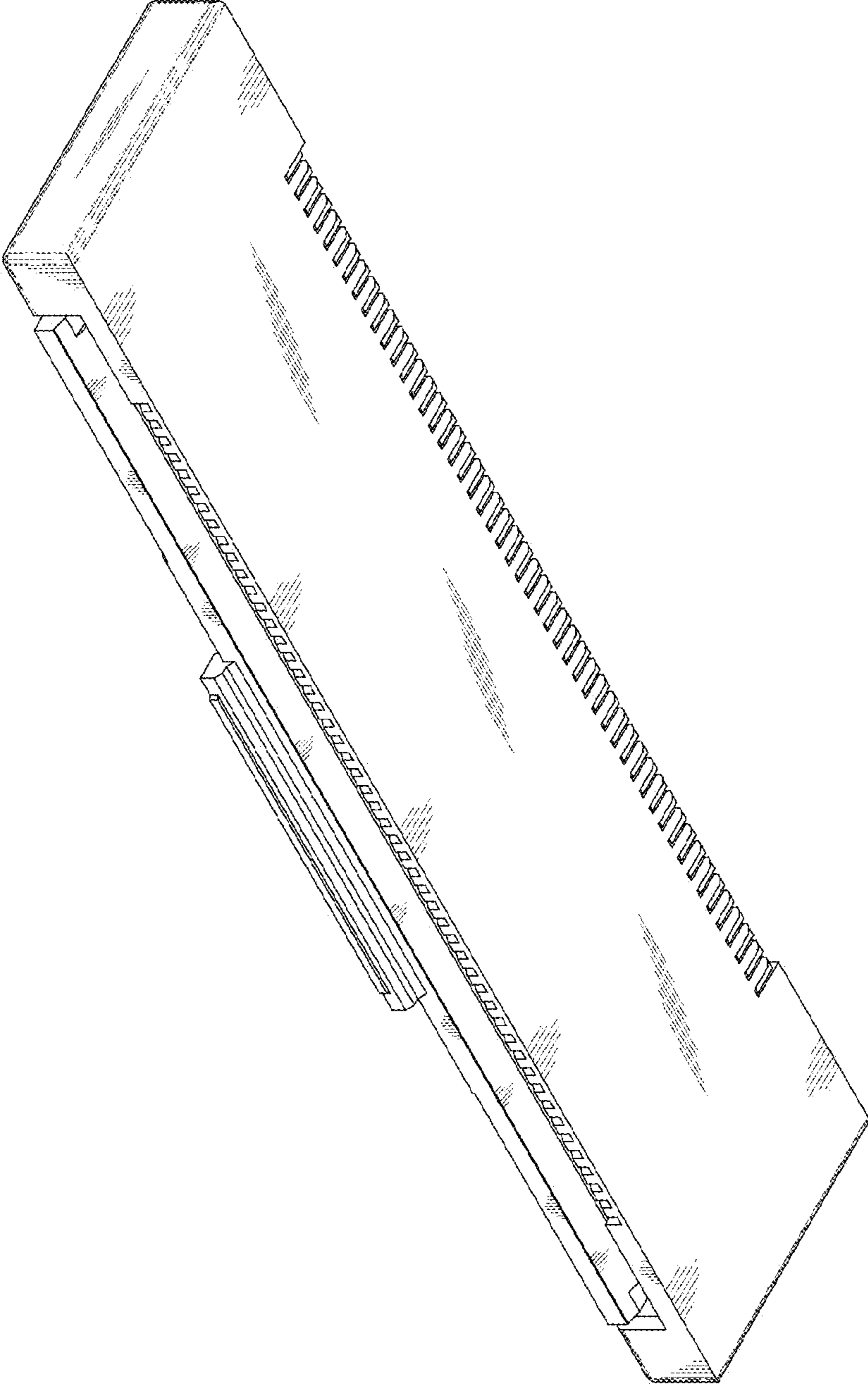


FIG.10