



US00D725596S

(12) **United States Design Patent**  
**Ikari**

(10) **Patent No.:** **US D725,596 S**  
(45) **Date of Patent:** **\*\* Mar. 31, 2015**

(54) **ELECTRICAL CONNECTOR**

(71) Applicant: **Dai-Ichi Seiko Co., Ltd.**, Kyoto (JP)

(72) Inventor: **Hiroharu Ikari**, Fukuoka (JP)

(73) Assignee: **Dai-Ichi Seiko Co., Ltd.**, Kyoto (JP)

(\*\*) Term: **14 Years**

(21) Appl. No.: **29/460,772**

(22) Filed: **Jul. 15, 2013**

(30) **Foreign Application Priority Data**

Jan. 16, 2013 (JP) ..... 2013-000585

(51) **LOC (10) Cl.** ..... **13-03**

(52) **U.S. Cl.**  
USPC ..... **D13/147**

(58) **Field of Classification Search**  
USPC ..... D13/147, 154, 184; 439/260, 329, 395,  
439/422, 492-499

See application file for complete search history.

(56) **References Cited**

**U.S. PATENT DOCUMENTS**

D606,495 S \* 12/2009 Hamauchi ..... D13/147  
D607,410 S \* 1/2010 Ikari ..... D13/147  
D629,360 S \* 12/2010 Hayashi et al. .... D13/147  
D641,322 S \* 7/2011 Kurachi ..... D13/147  
D645,824 S \* 9/2011 Kurachi ..... D13/147

D645,825 S \* 9/2011 Kurachi ..... D13/147  
8,021,187 B2 \* 9/2011 Tagawa et al. .... 439/607.31  
2011/0034076 A1 \* 2/2011 Tagawa et al. .... 439/607.01

**FOREIGN PATENT DOCUMENTS**

JP D1343284 S 11/2008  
JP D1344452 S 11/2008  
JP D1355631 S 4/2009  
JP D1395773 S 8/2010  
JP D1396094 S 8/2010  
JP D1405450 S 1/2011

\* cited by examiner

*Primary Examiner* — Daniel Bui

(74) *Attorney, Agent, or Firm* — Studebaker & Brackett PC

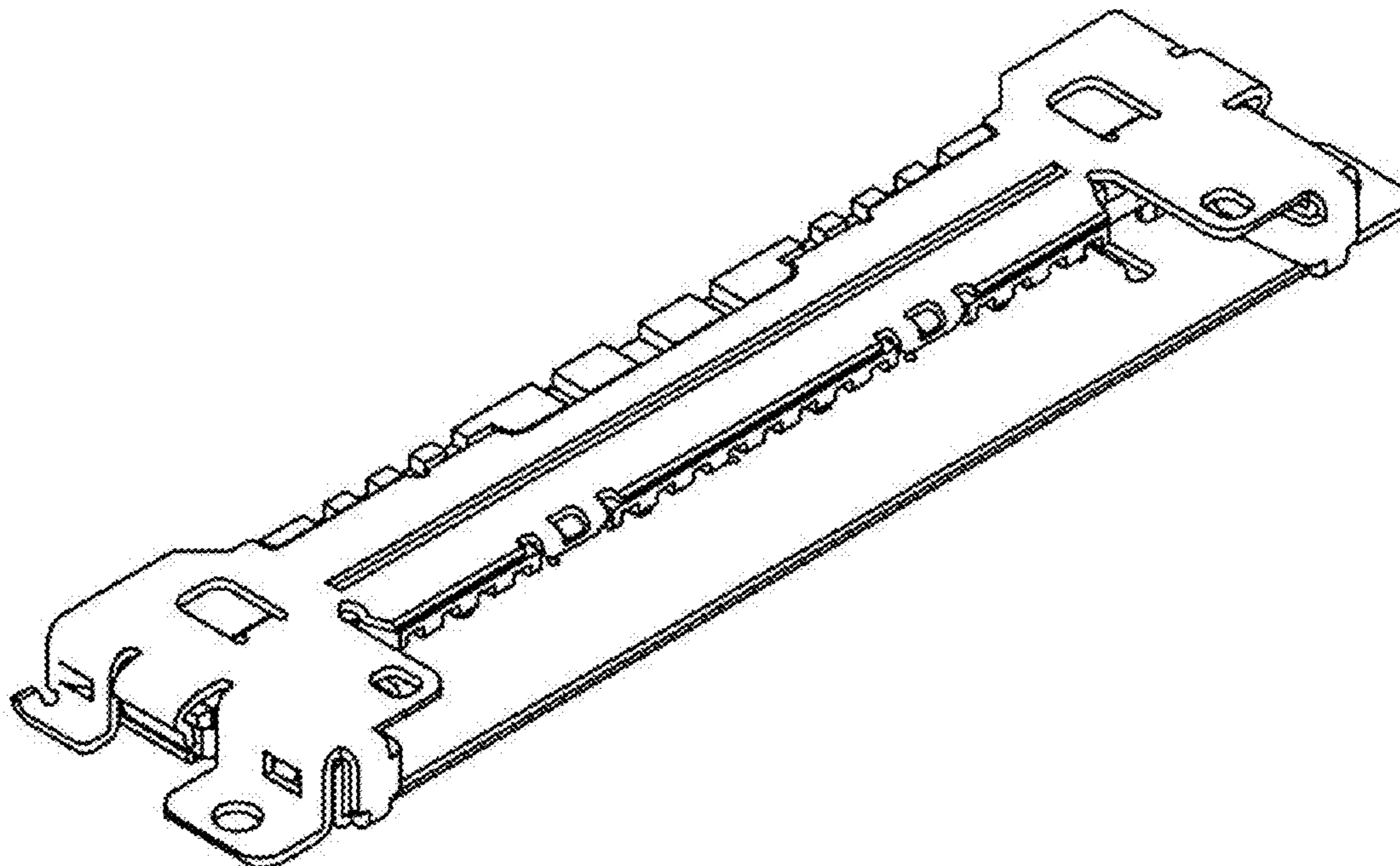
(57) **CLAIM**

The ornamental design for an electrical connector, as shown and described.

**DESCRIPTION**

FIG. 1 is a front, top and right side perspective view of an electrical connector showing my new design;  
FIG. 2 is a top plan view thereof;  
FIG. 3 is a bottom plan view thereof;  
FIG. 4 is a front view thereof;  
FIG. 5 is a rear view thereof; and,  
FIG. 6 is a right side view thereof, the left side view is a mirror image thereof.

**1 Claim, 6 Drawing Sheets**



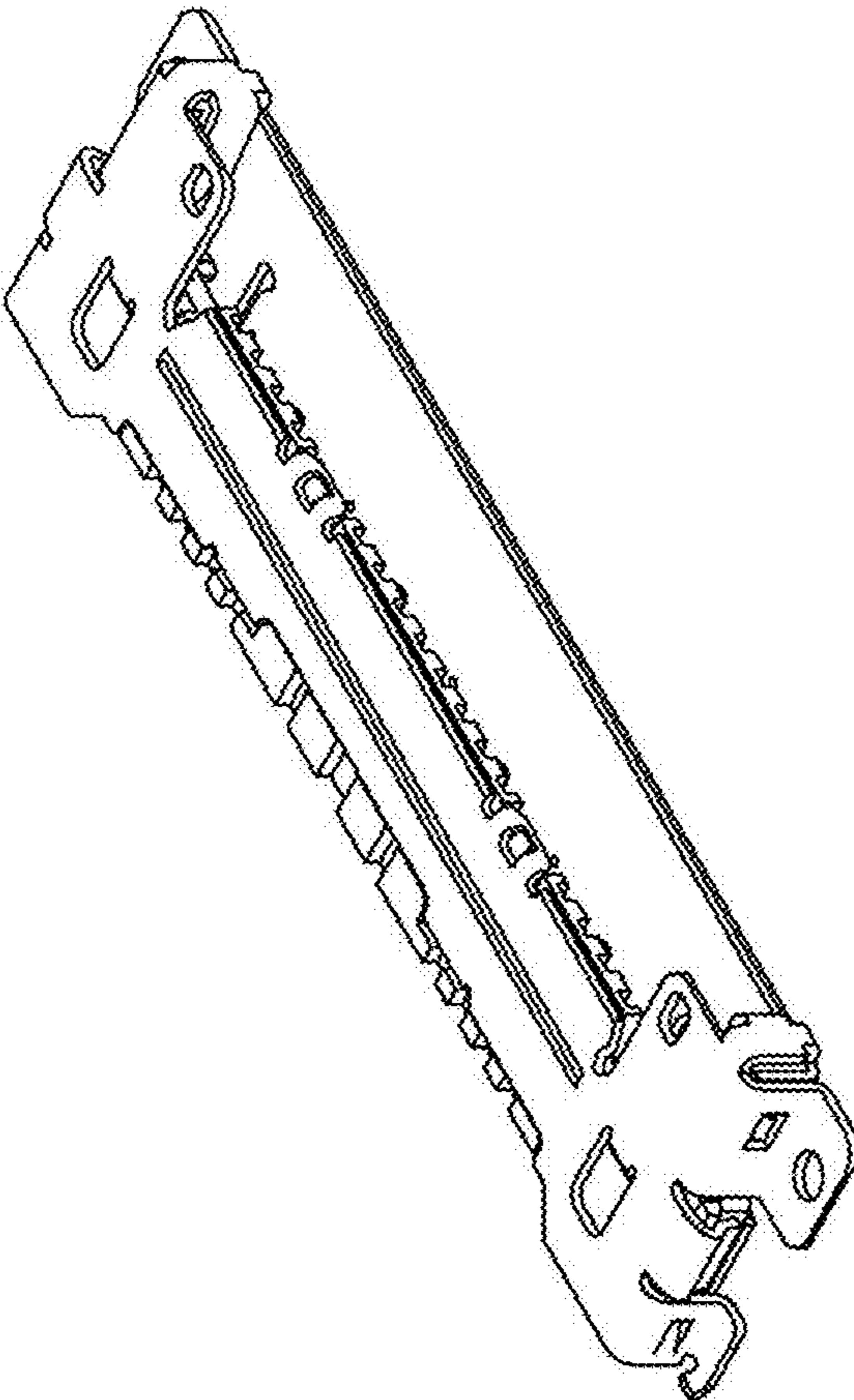


FIG. 1

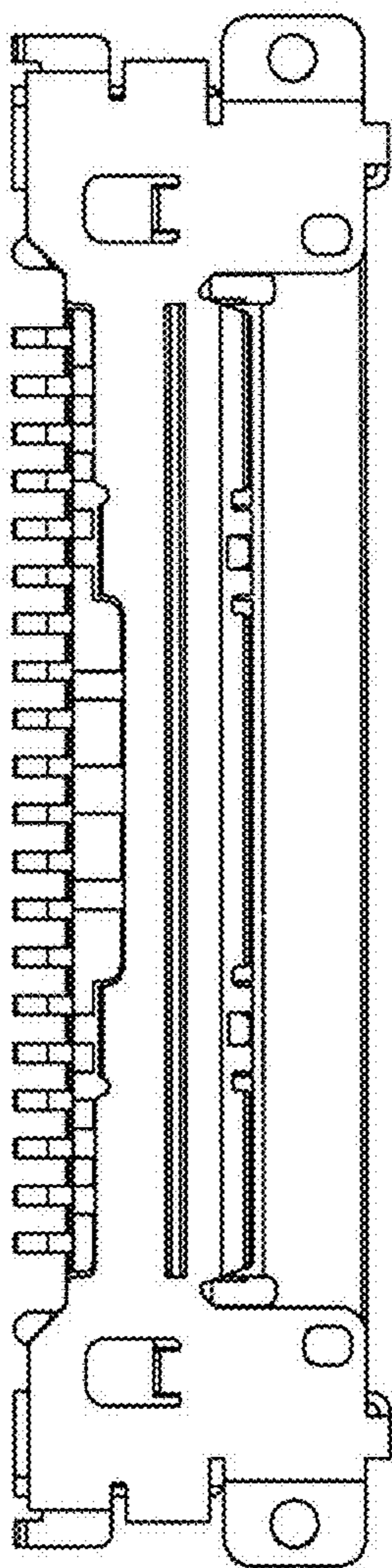


FIG. 2

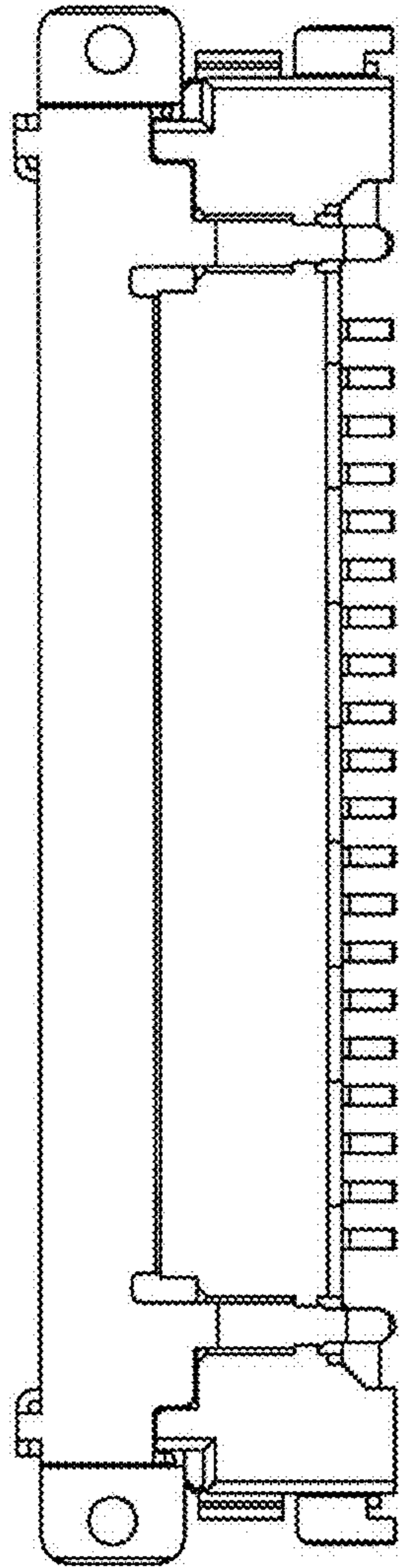


FIG. 3

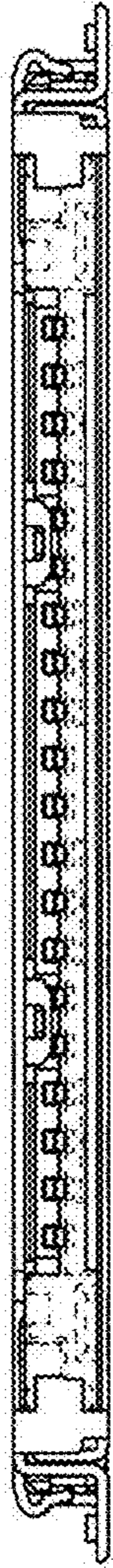


FIG. 4



FIG. 5



FIG. 6