



US00D725595S

(12) **United States Design Patent**
DeCosta

(10) **Patent No.:** **US D725,595 S**
(45) **Date of Patent:** **** Mar. 31, 2015**

(54) **STRAIGHT BLADE SCREW TERMINAL CONNECTOR**

(71) Applicant: **Thomas DeCosta**, Westport, MA (US)

(72) Inventor: **Thomas DeCosta**, Westport, MA (US)

(**) Term: **14 Years**

(21) Appl. No.: **29/474,488**

(22) Filed: **Oct. 7, 2014**

(51) **LOC (10) Cl.** **13-03**

(52) **U.S. Cl.**
USPC **D13/146**

(58) **Field of Classification Search**
USPC D13/133, 146, 147, 154, 184, 199;
439/567, 636, 660, 844, 849, 850-852,
439/857, 862, 865-867, 870, 877, 884-891
See application file for complete search history.

(56) **References Cited**

U.S. PATENT DOCUMENTS

D332,085 S * 12/1992 Bender D13/146
6,252,491 B1 * 6/2001 Marbacher 337/187
D543,941 S * 6/2007 Hargreaves et al. D13/146

D545,764 S * 7/2007 Allison D13/137.1
D687,778 S * 8/2013 Utz D13/133
2009/0017686 A1 * 1/2009 Blum et al. 439/620.1

* cited by examiner

Primary Examiner — Daniel Bui

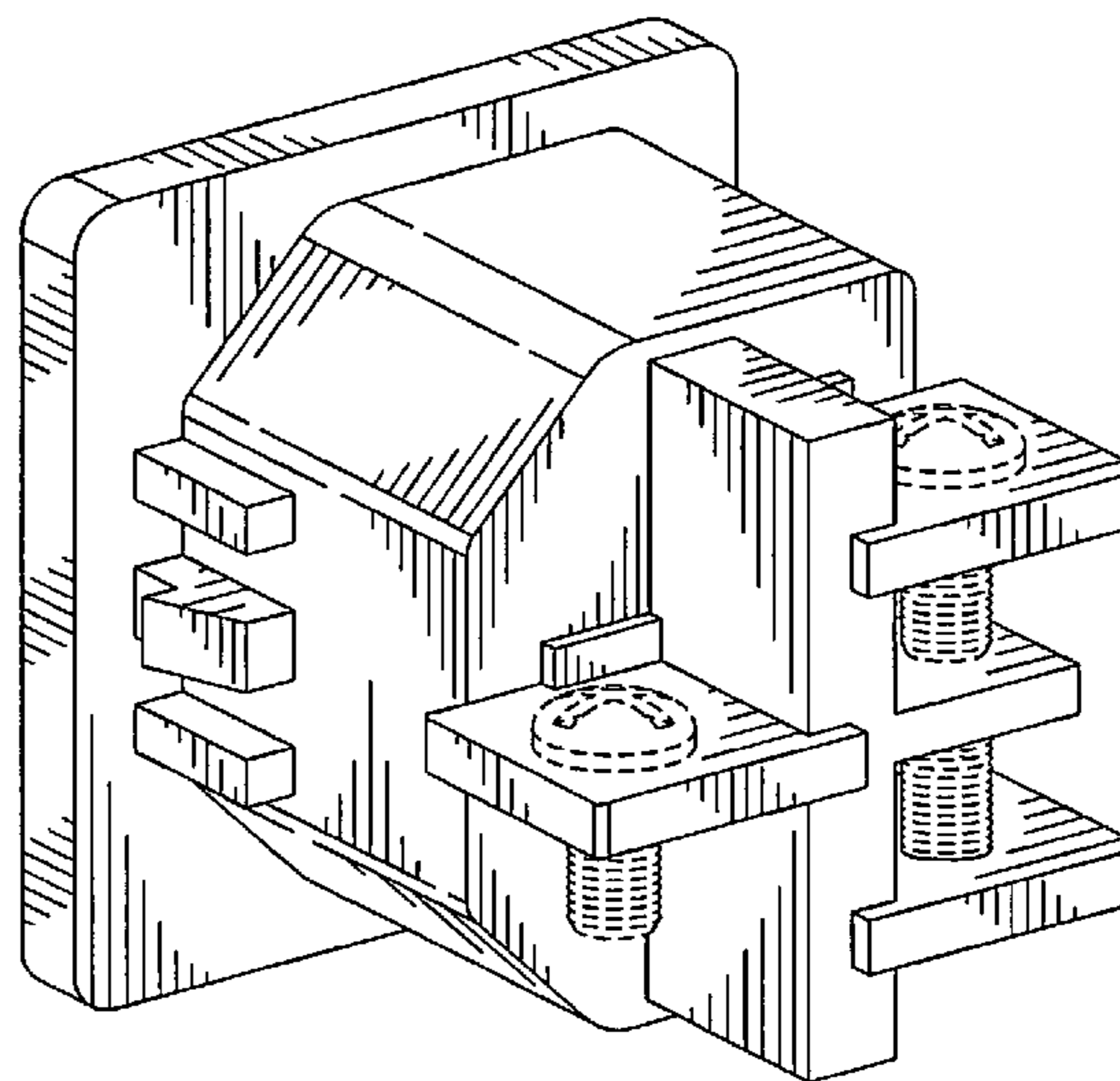
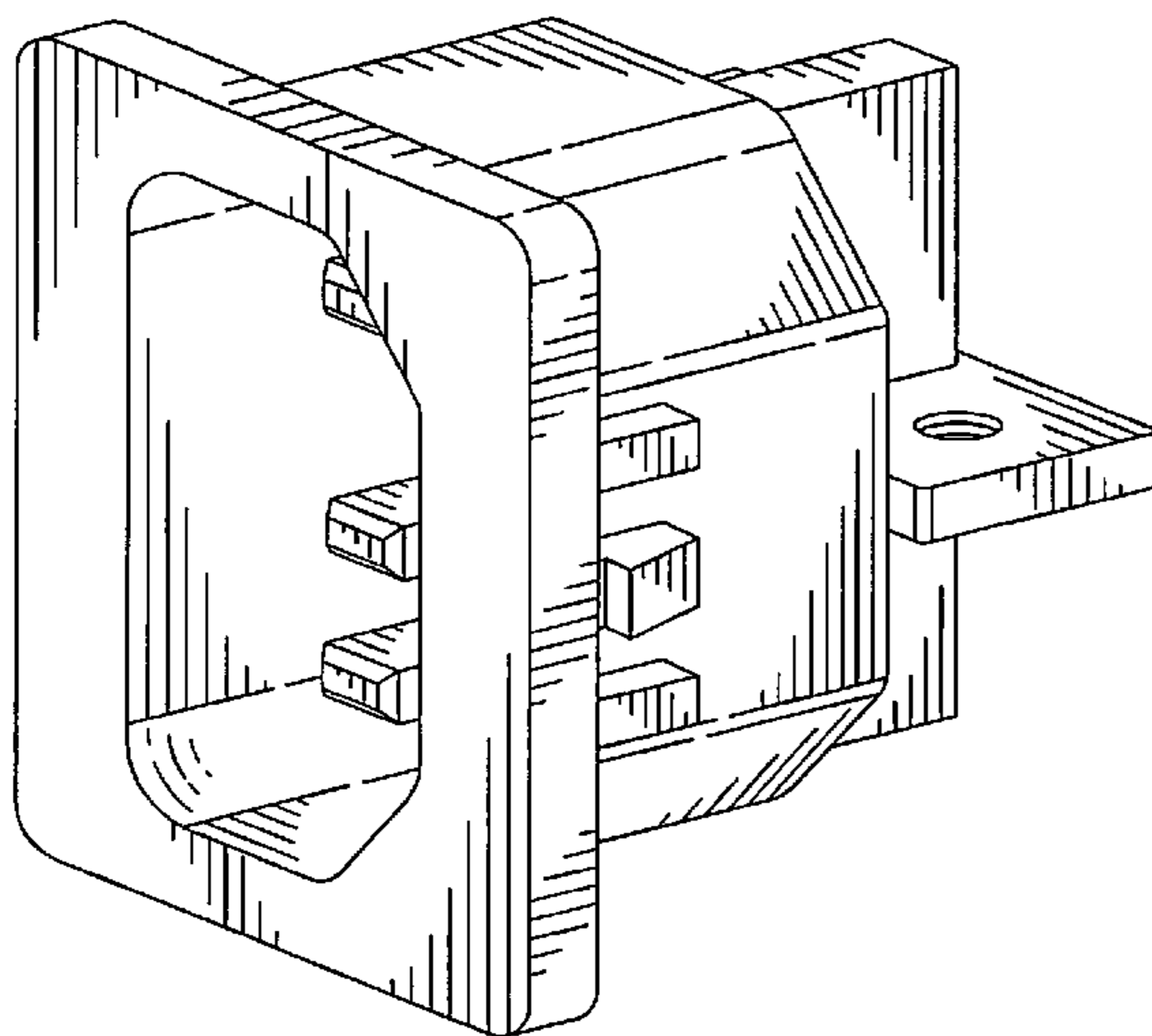
(57) **CLAIM**

The ornamental design for a straight blade screw terminal connector, as shown and described.

DESCRIPTION

FIG. 1 is a top, front and left side perspective view of a straight blade screw terminal connector showing my new design; FIG. 2 is a top, left and rear side perspective view thereof; FIG. 3 is a top, right and rear side perspective view thereof; FIG. 4 is a front elevation view thereof; FIG. 5 is a rear elevation view thereof; FIG. 6 is a left side elevation view thereof; FIG. 7 is a right side elevation view thereof; FIG. 8 is a top plan view thereof; FIG. 9 is a bottom plan view thereof; FIG. 10 is a top, left and rear side perspective view thereof, in use condition; and, FIG. 11 is a rear elevation view thereof. The broken line in the drawing view represent unclaimed environment and forms no parts of the claimed design.

1 Claim, 11 Drawing Sheets



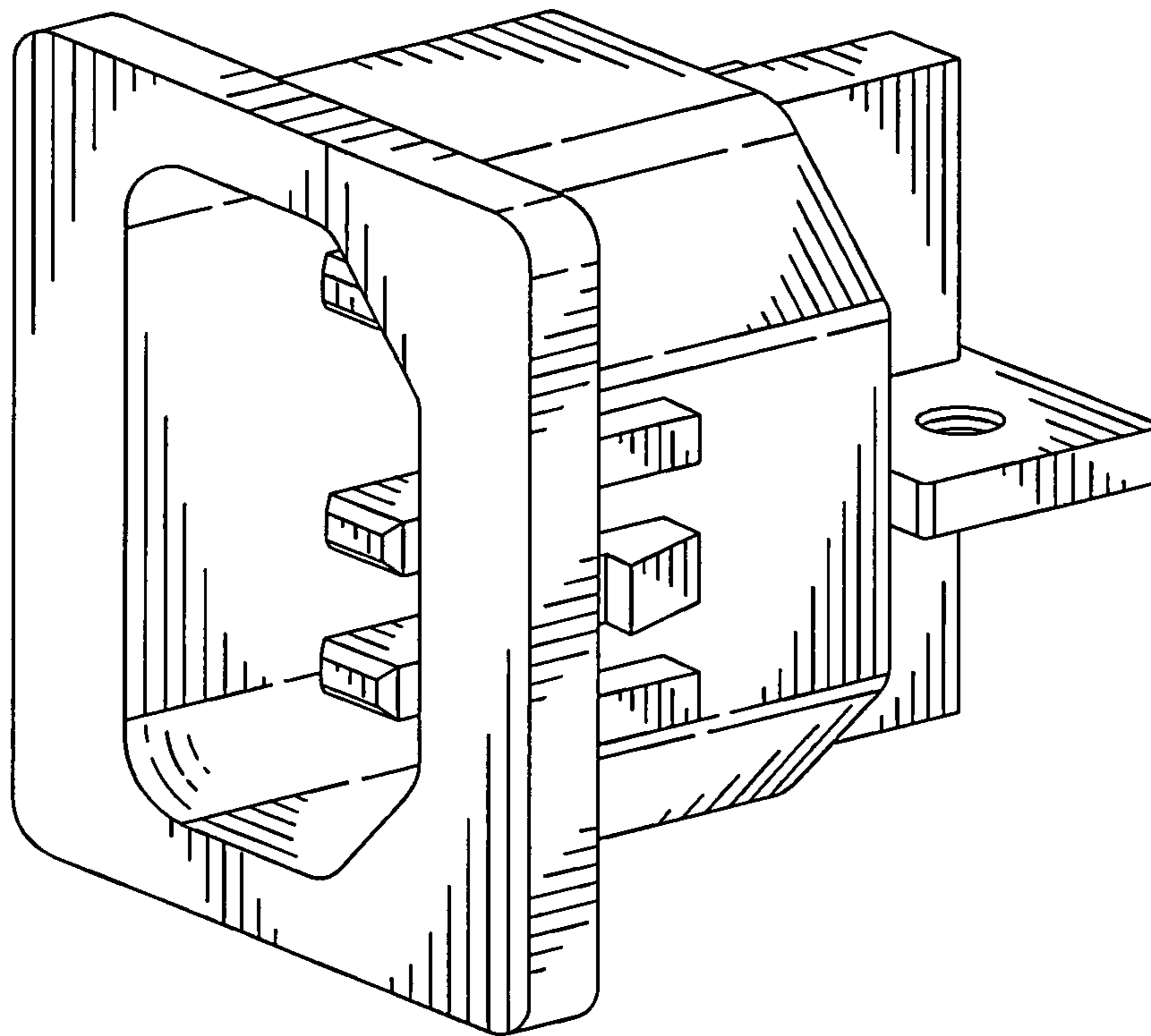


FIG. 1

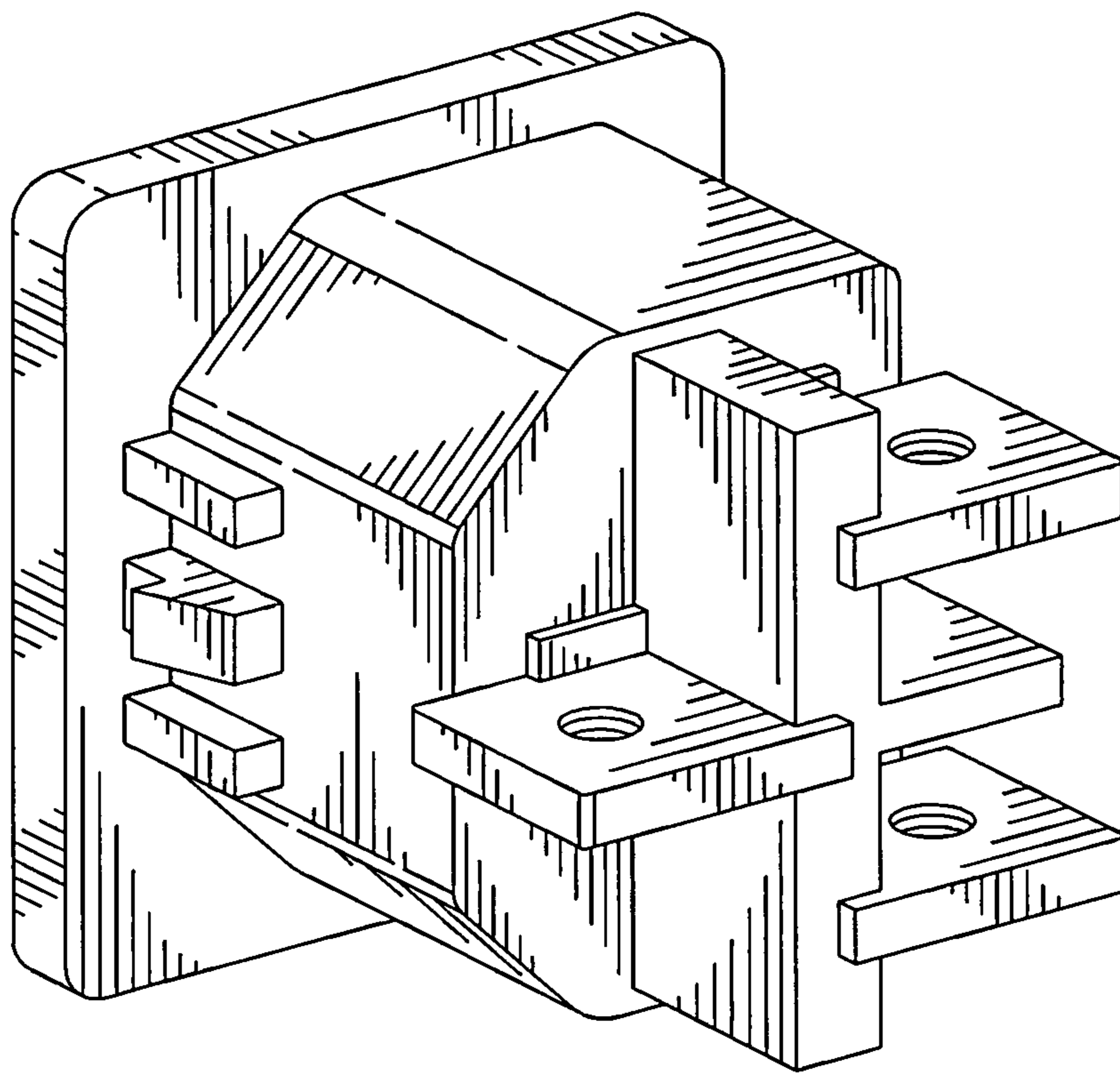


FIG. 2

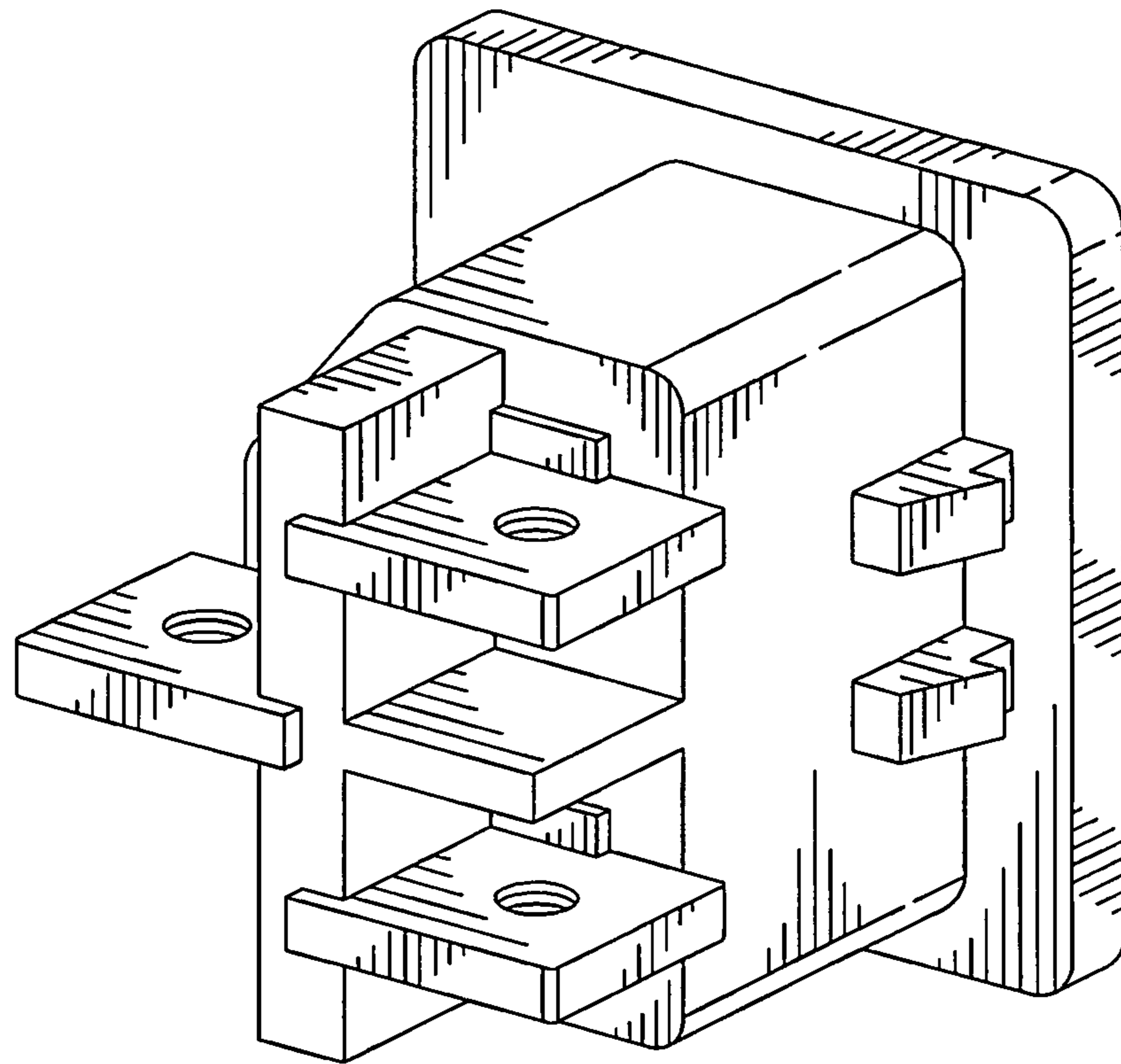


FIG. 3

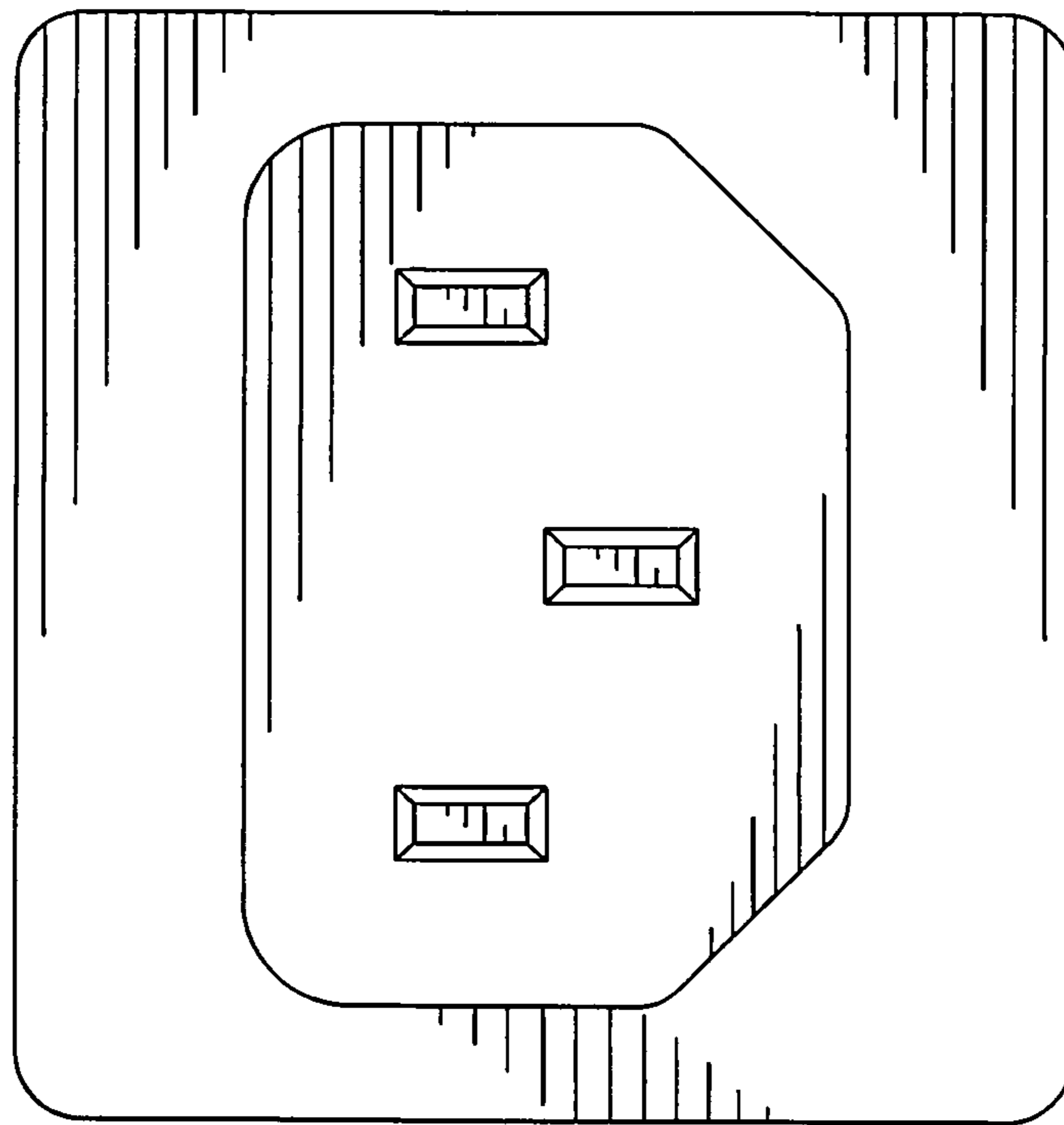


FIG. 4

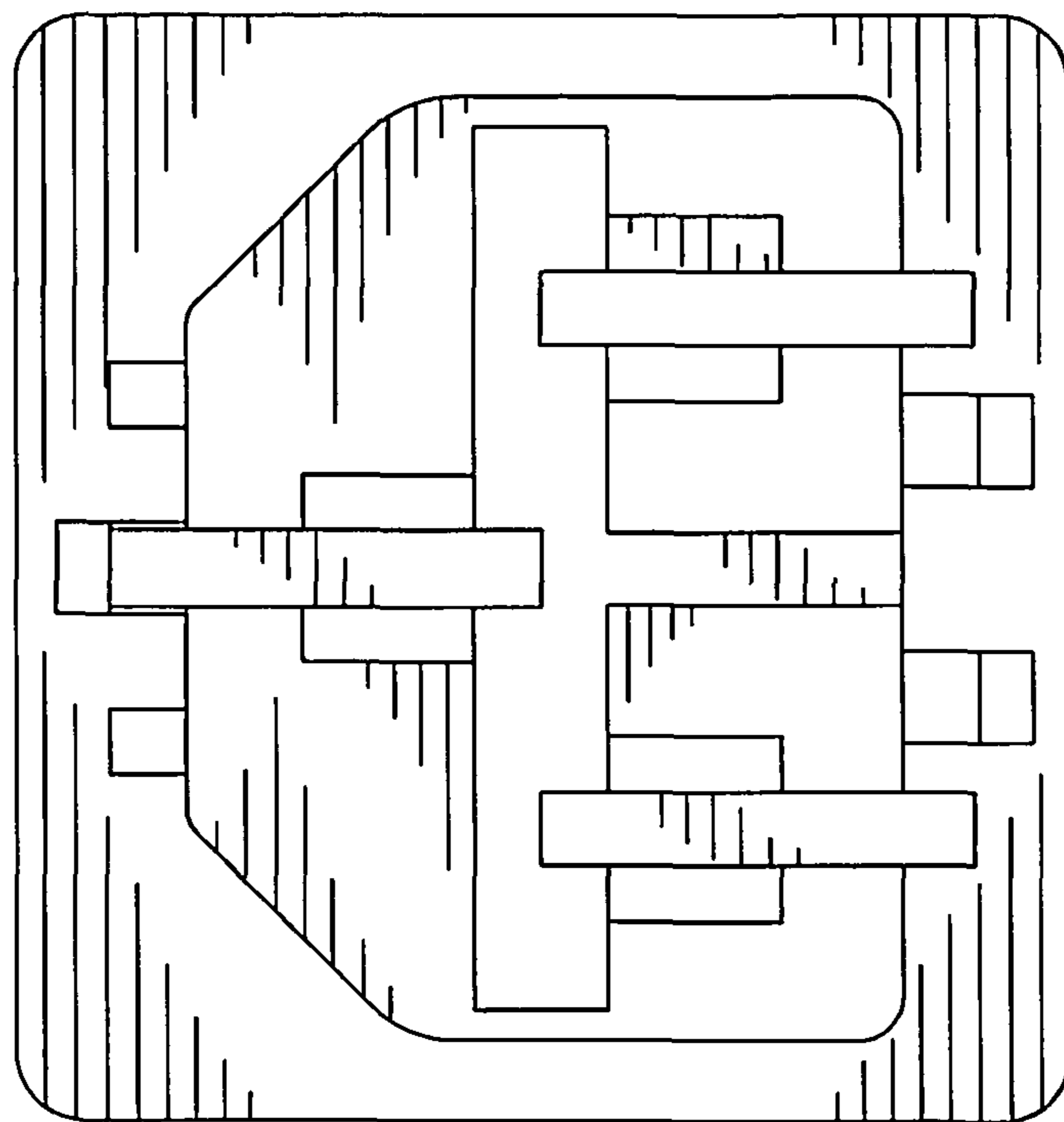


FIG. 5

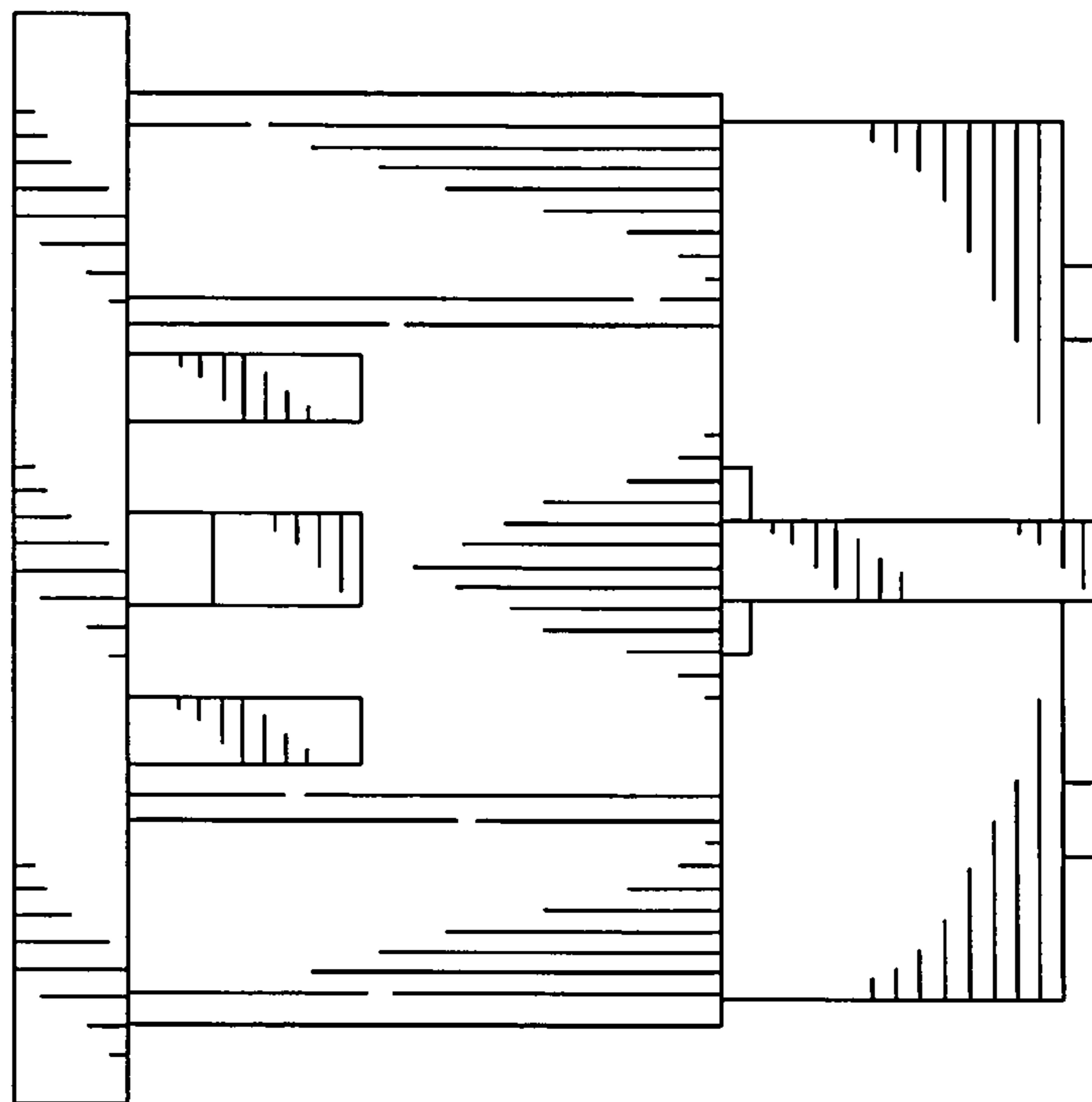


FIG. 6

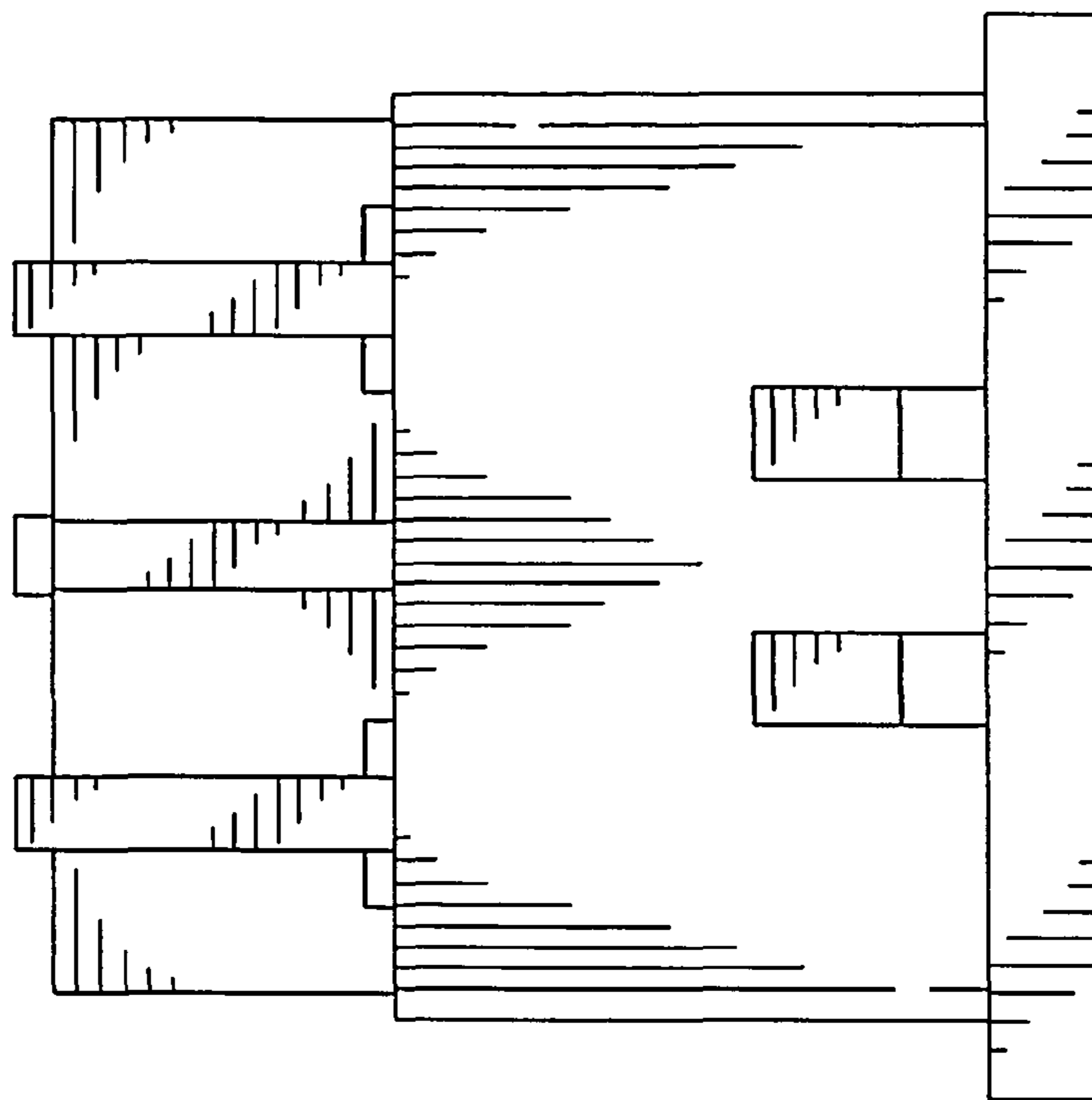


FIG. 7

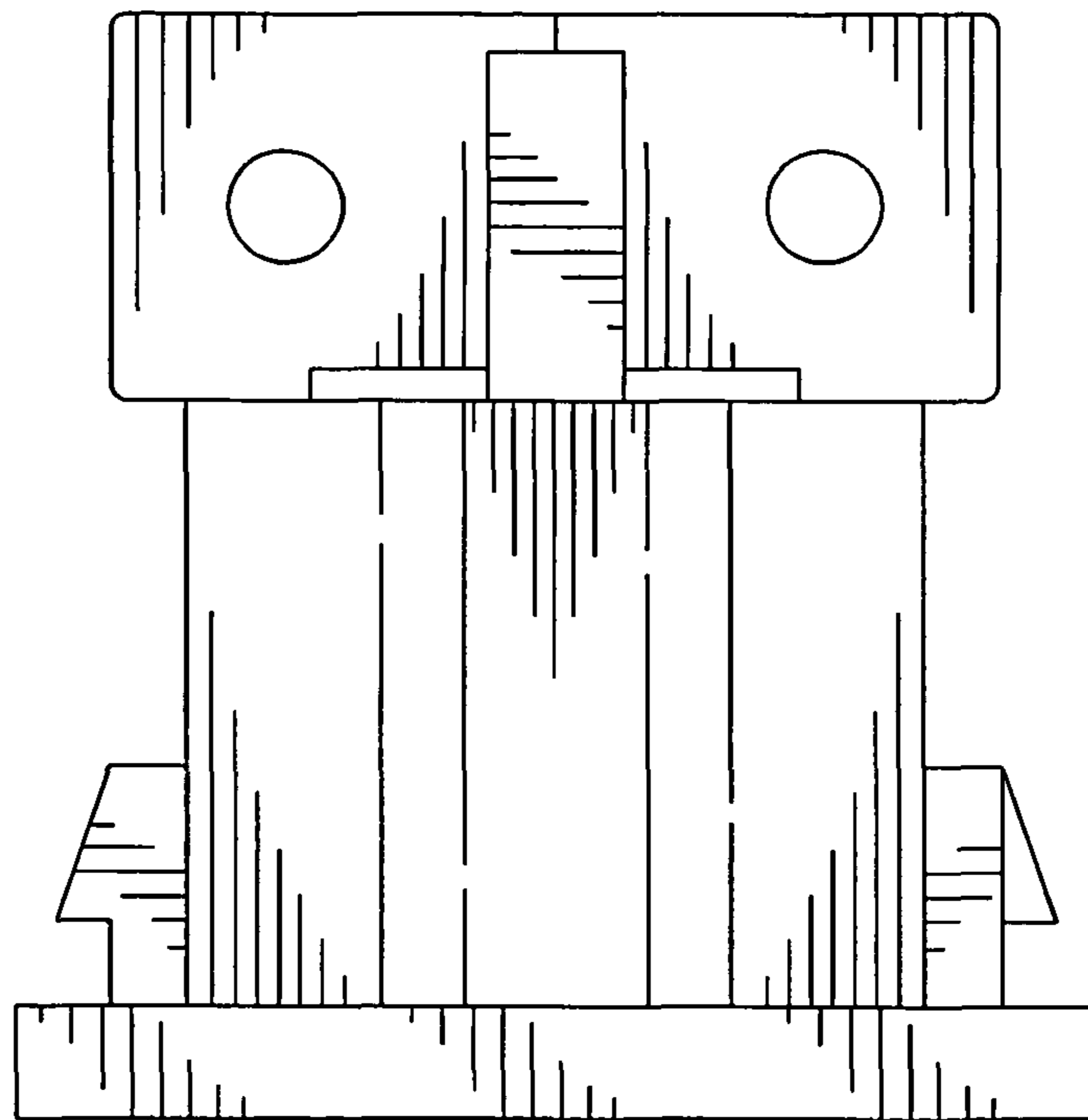


FIG. 8

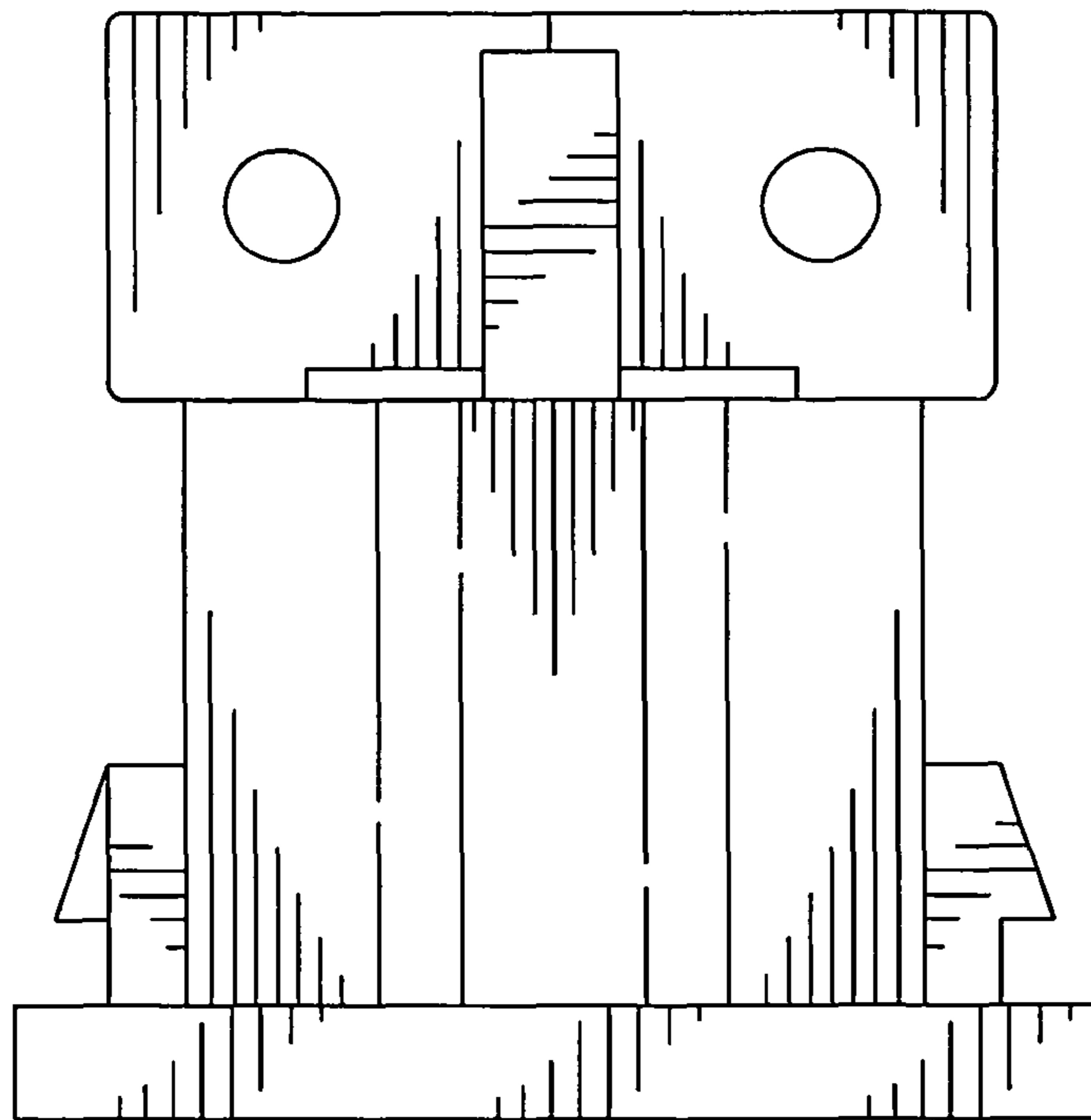


FIG. 9

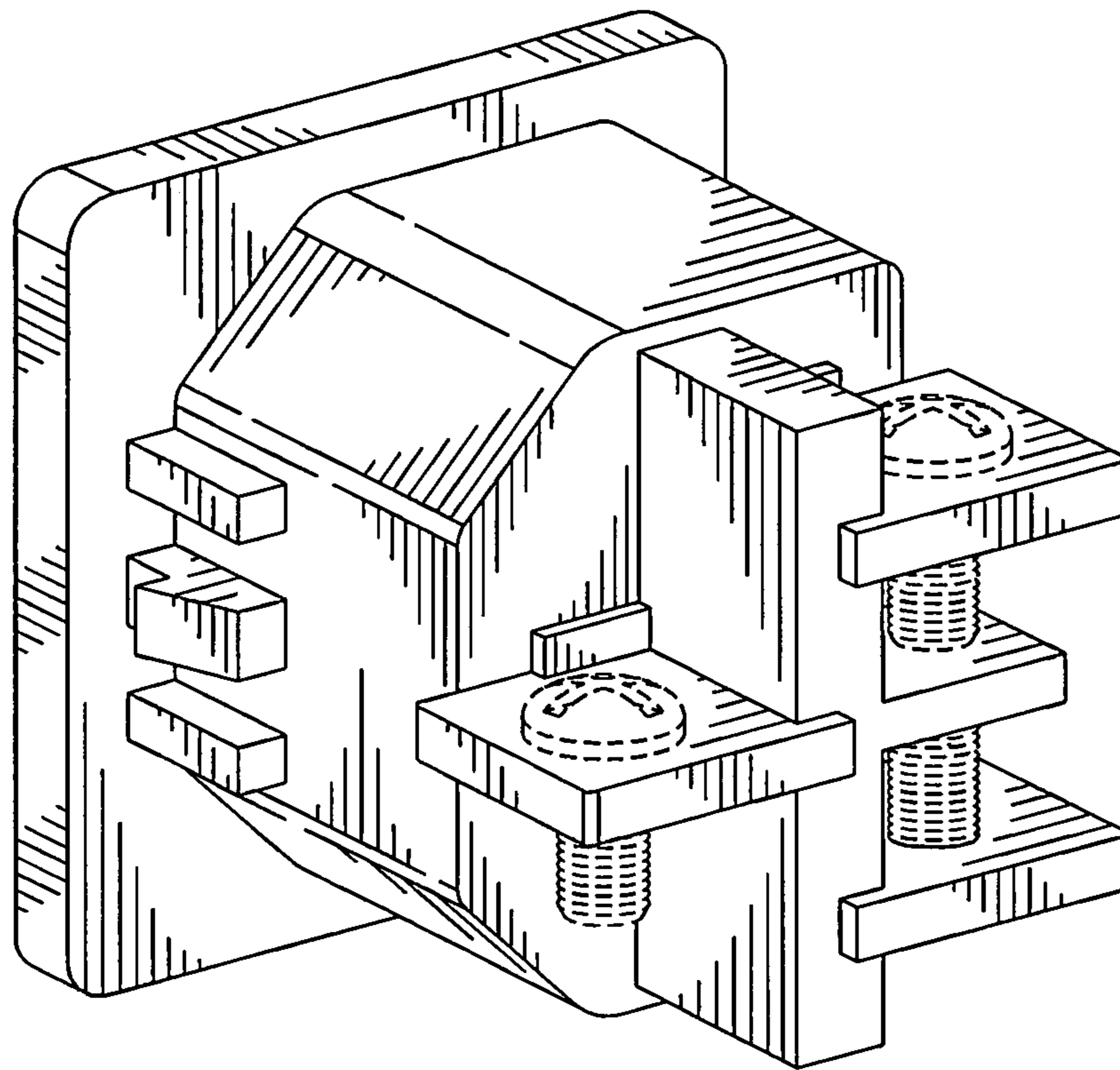


FIG. 10

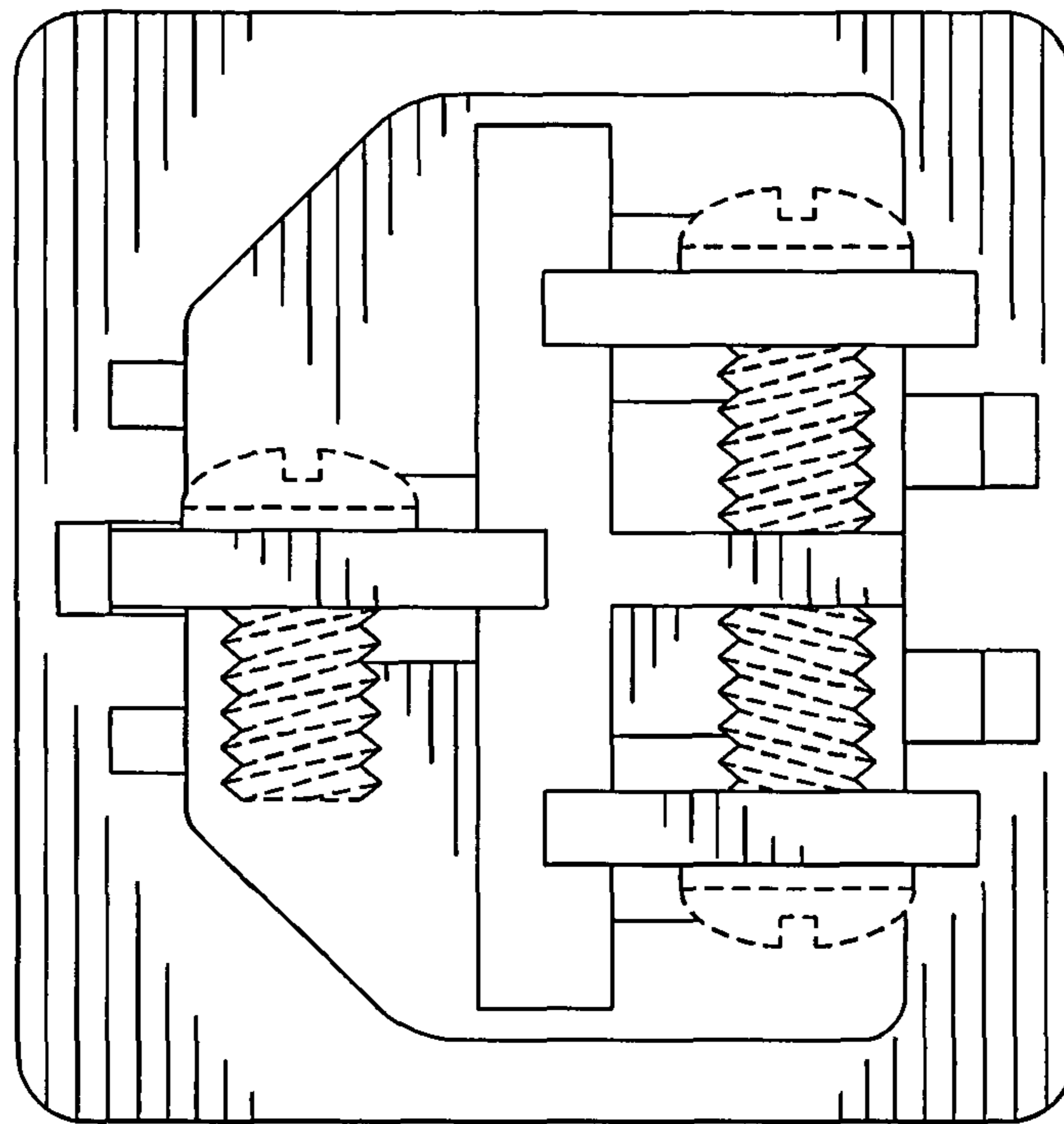


FIG. 11