



US00D725589S

(12) **United States Design Patent**  
**Hidaka**

(10) **Patent No.:** **US D725,589 S**  
(45) **Date of Patent:** **\*\* Mar. 31, 2015**

(54) **BATTERY**

(71) Applicant: **Panasonic Corporation**, Kadoma-shi,  
Osaka (JP)

(72) Inventor: **Masataka Hidaka**, Osaka (JP)

(73) Assignee: **Panasonic Intellectual Property**  
**Management Co., Ltd.**, Osaka (JP)

(\*\*) Term: **14 Years**

(21) Appl. No.: **29/488,896**

(22) Filed: **Apr. 24, 2014**

(30) **Foreign Application Priority Data**

Nov. 1, 2013 (JP) ..... 2013-025607

(51) **LOC (10) Cl.** ..... **13-02**

(52) **U.S. Cl.**  
USPC ..... **D13/103**

(58) **Field of Classification Search**  
CPC ..... Y02E 60/12; Y02E 60/122; Y02E 60/124;  
Y02E 60/50; H01M 2/02; H01M 2/022;  
H01M 2/0202; H01M 2/0207; H01M 2/0212;  
H01M 2/1061; H01M 2/1022; H01M 2/1055;  
H01M 2/1066; H01M 2/105; H01M 2/204;  
H01M 10/4257; H01M 10/0436; H01M 10/48  
USPC ..... D13/102-106, 110, 119-121, 184;  
429/96-100, 163, 176

See application file for complete search history.

(56) **References Cited**

U.S. PATENT DOCUMENTS

D341,961 S *	12/1993	Howden .....	D6/448
D365,348 S *	12/1995	Card et al. ....	D14/140.3
D410,624 S *	6/1999	Loh .....	D13/110
D455,398 S *	4/2002	Frank et al. ....	D13/110
D584,252 S *	1/2009	Lewis et al. ....	D13/184
D585,019 S *	1/2009	Moser et al. ....	D13/103
D588,081 S *	3/2009	Lewis et al. ....	D13/184
D624,878 S *	10/2010	Uneo et al. ....	D13/119

\* cited by examiner

*Primary Examiner* — Rosemary K Tarcza

(74) *Attorney, Agent, or Firm* — Brinks Gilson & Lione

(57) **CLAIM**

I claim the ornamental design for a battery, as shown and described.

**DESCRIPTION**

FIG. 1 is a front and top perspective view of a battery of the present invention;

FIG. 2 is a front view thereof;

FIG. 3 is a rear view thereof;

FIG. 4 is a first side view thereof;

FIG. 5 is a second side view thereof;

FIG. 6 is a top view thereof; and,

FIG. 7 is a bottom view thereof.

The broken lines shown represent unclaimed subject matter and form no part of the claimed design.

**1 Claim, 7 Drawing Sheets**

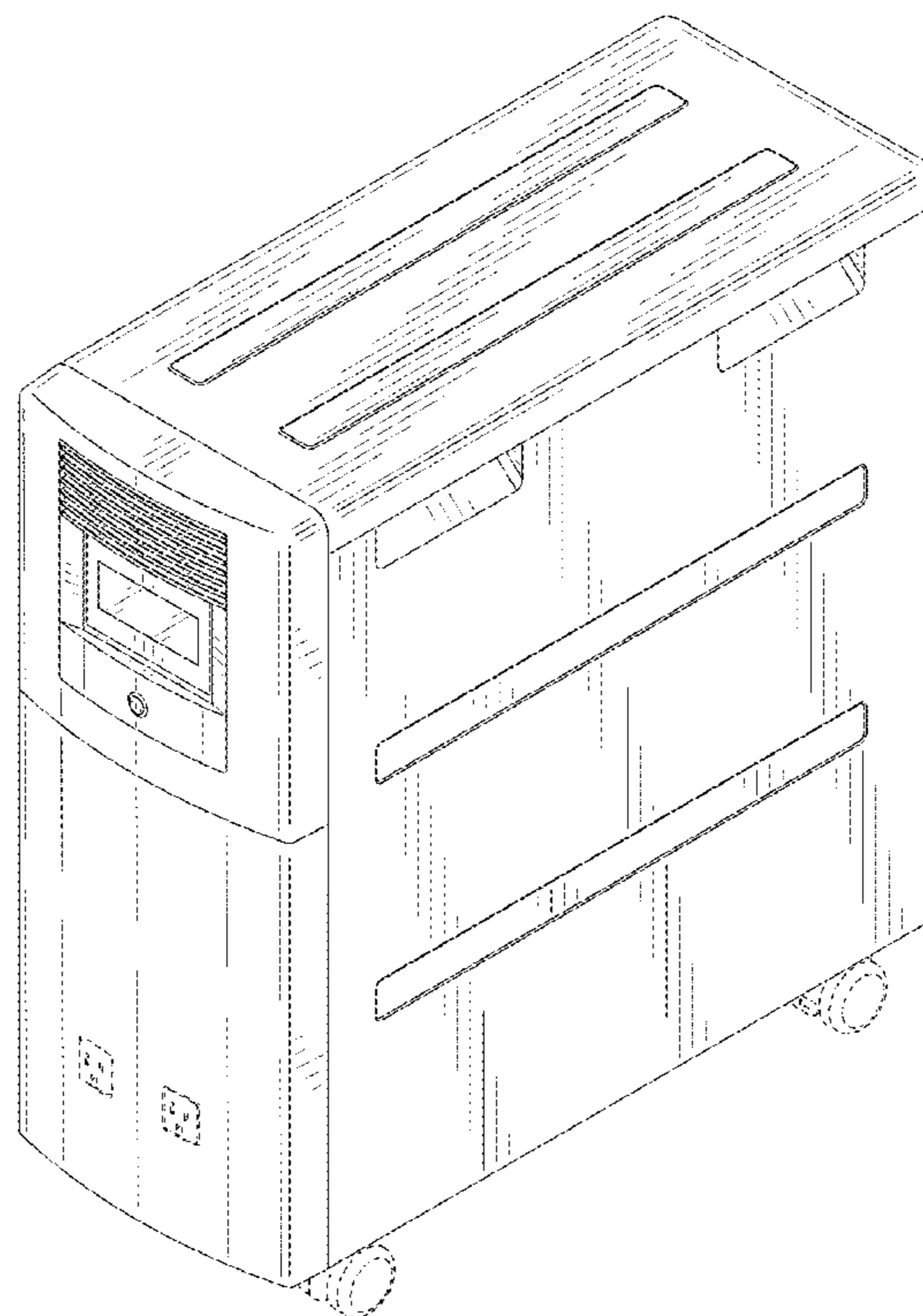


FIG. 1

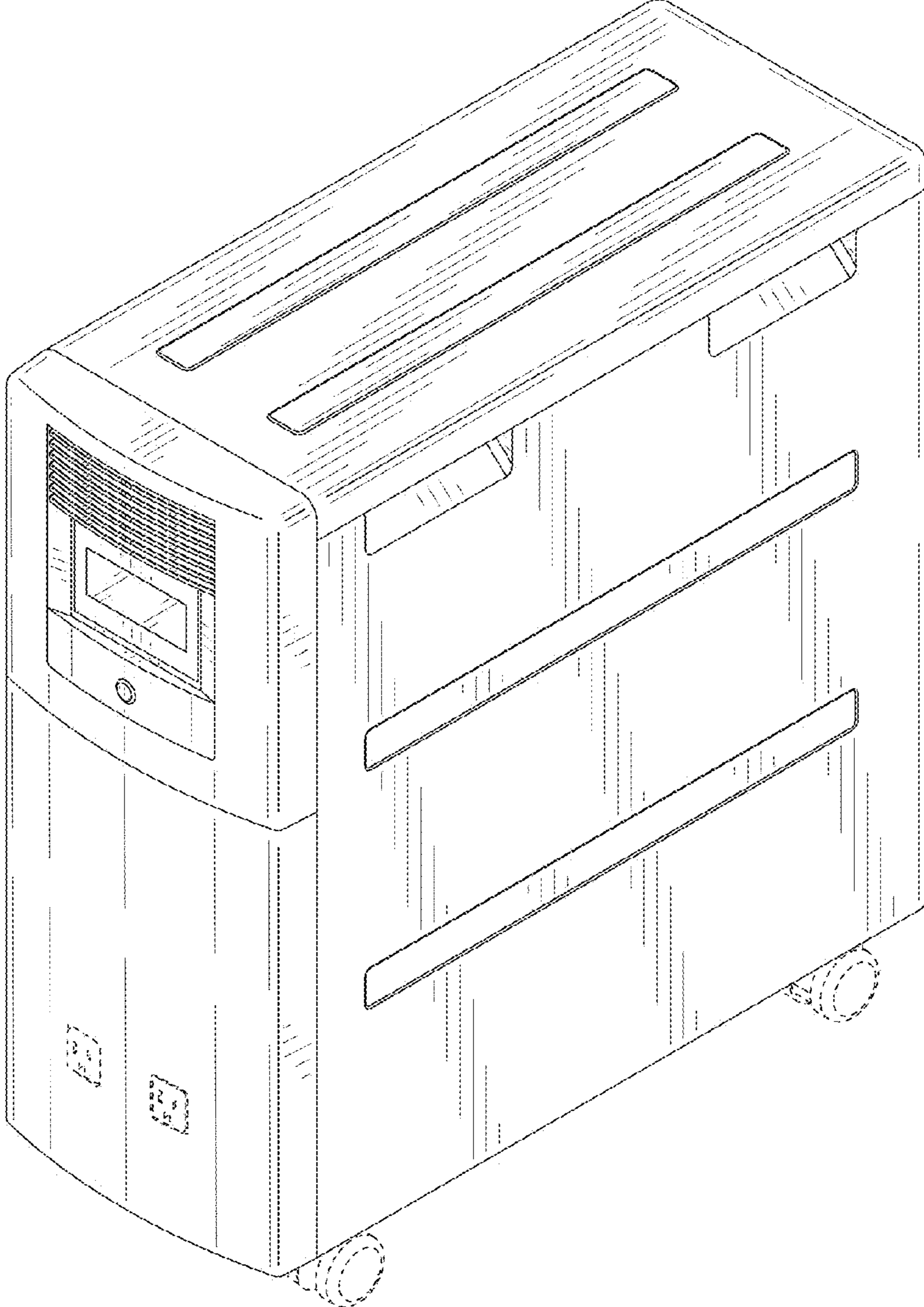


FIG.2

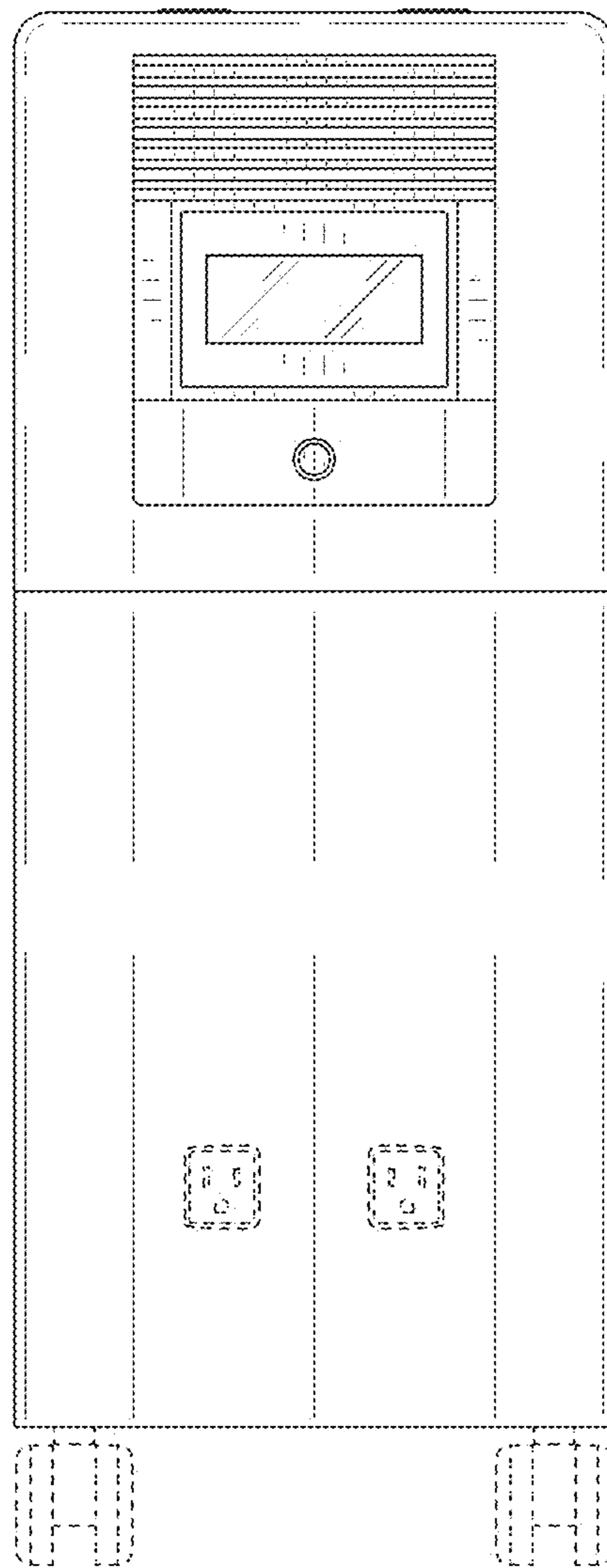


FIG.3

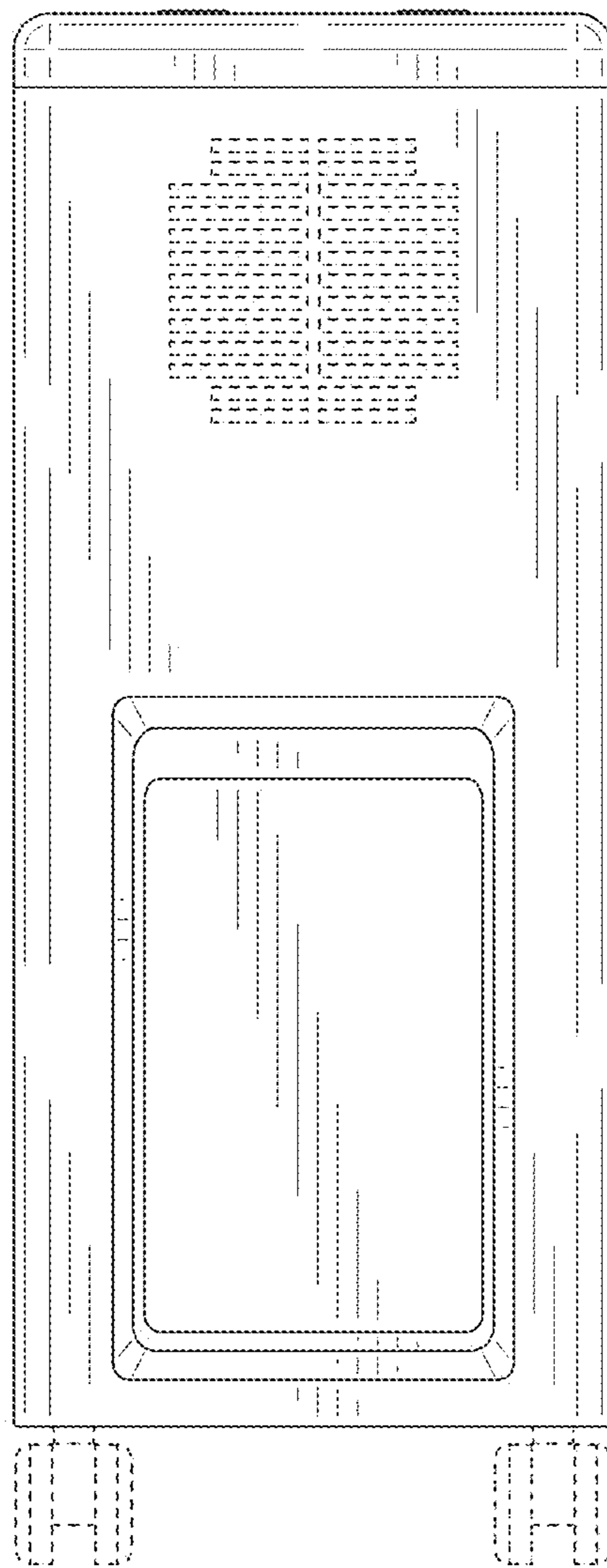


FIG.4

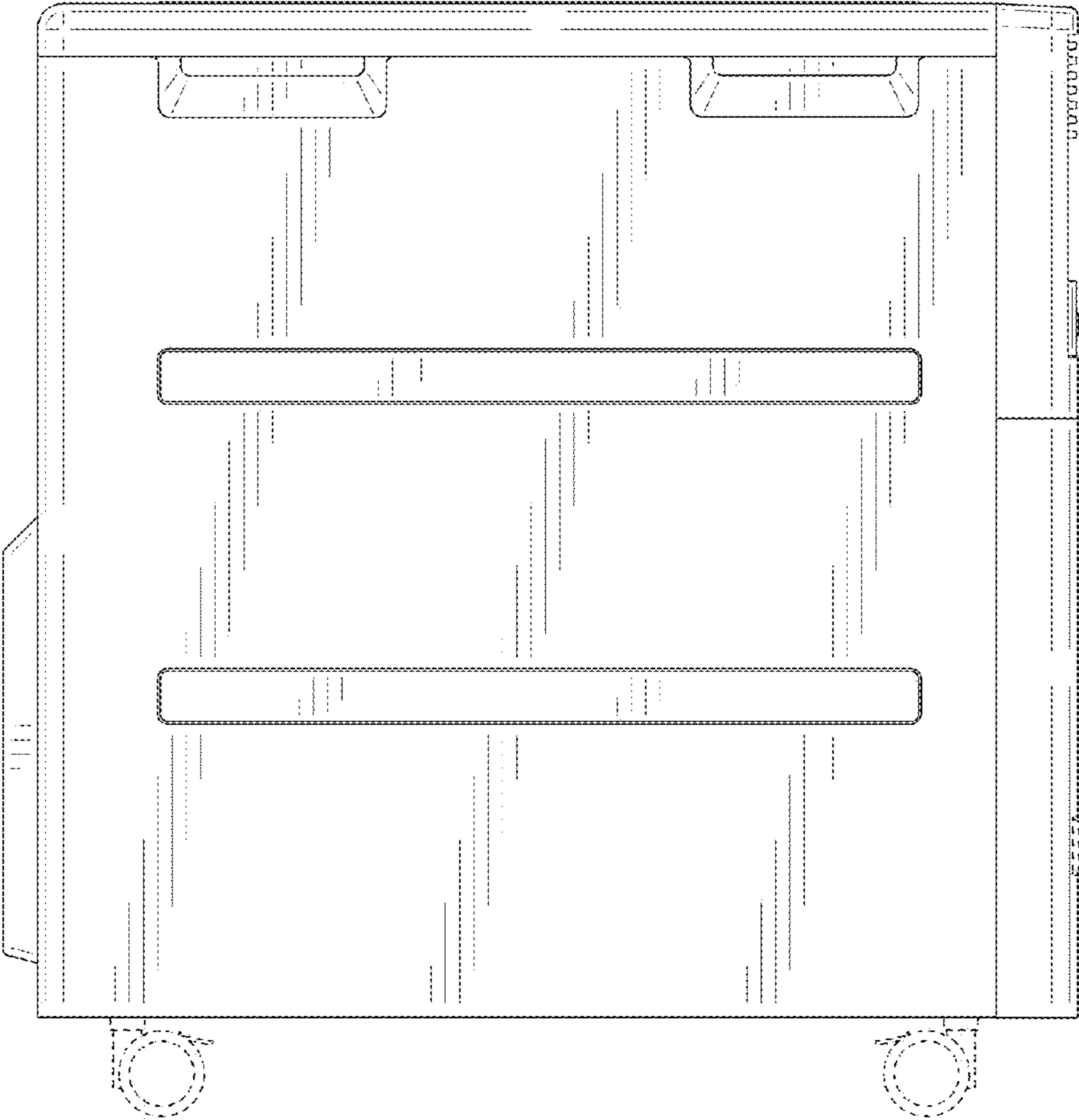


FIG. 5

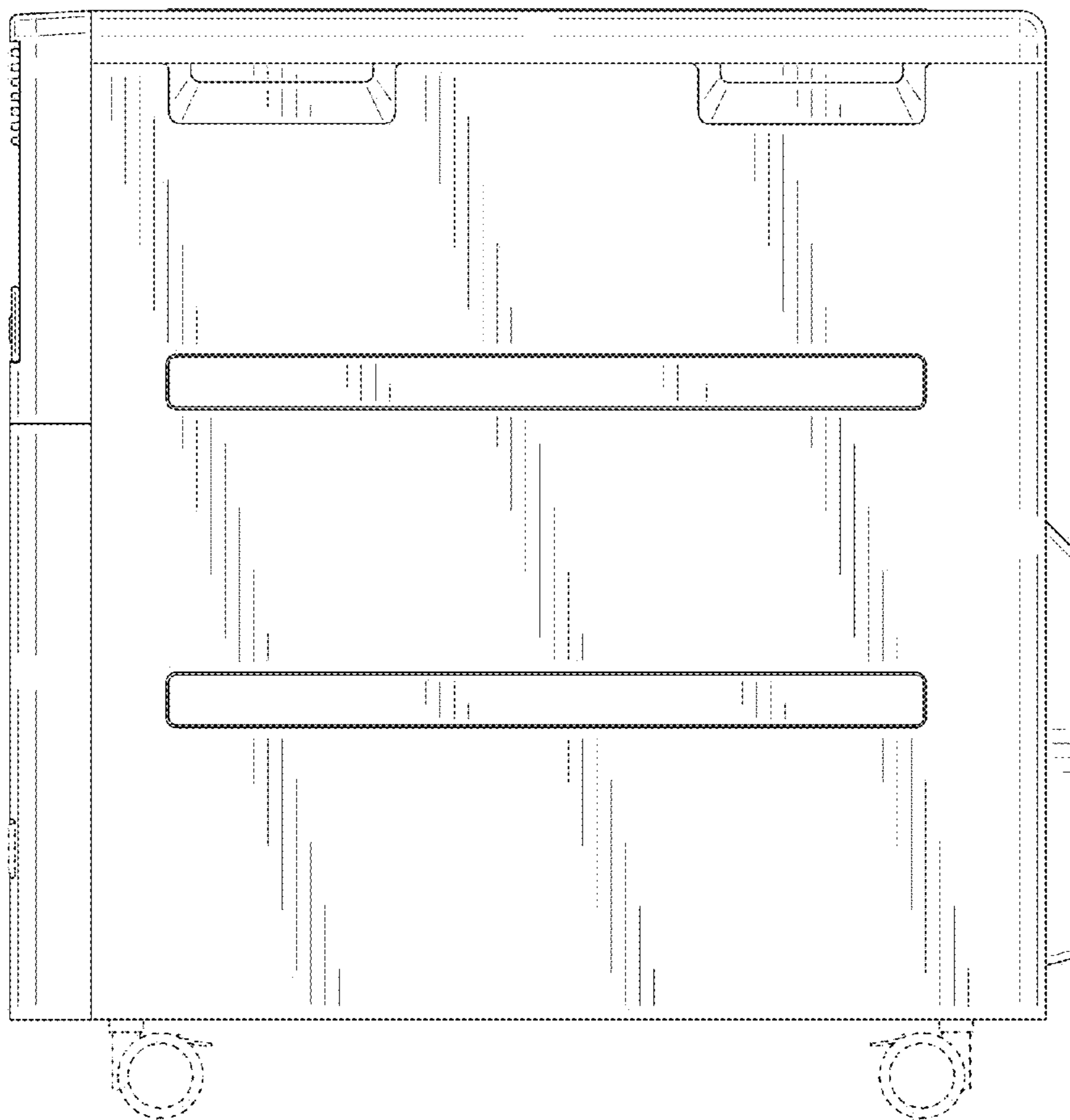


FIG.6

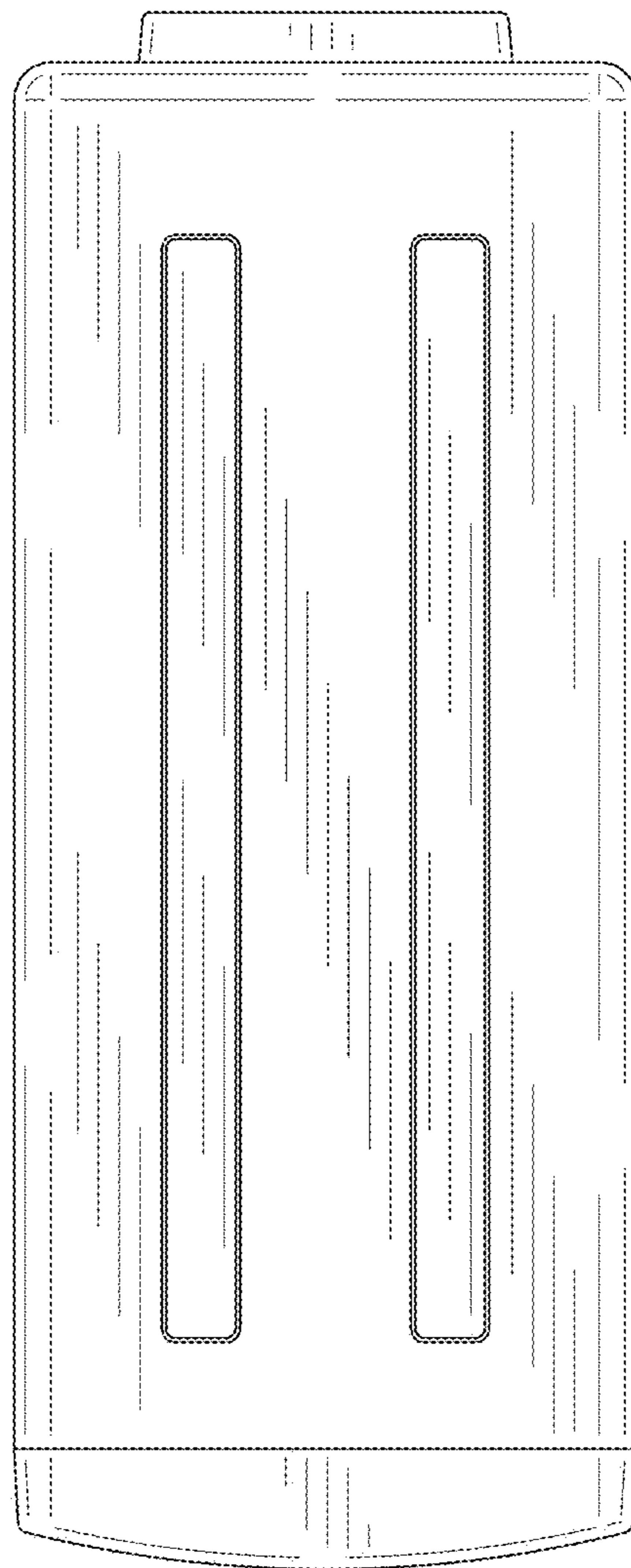


FIG. 7

