



US00D725587S

(12) **United States Design Patent**  
**Buchinger-Barnstorf**

(10) **Patent No.:** **US D725,587 S**

(45) **Date of Patent:** **\*\* Mar. 31, 2015**

(54) **TIRE**

(75) Inventor: **Thomas Buchinger-Barnstorf,**  
Wennigsen (DE)

(73) Assignee: **Continental Reifen Deutschland**  
**GmbH, Hannover (DE)**

(\*\*) Term: **14 Years**

(21) Appl. No.: **29/413,683**

(22) Filed: **Feb. 17, 2012**

(30) **Foreign Application Priority Data**

Aug. 18, 2011 (EM) ..... 001905746

(51) **LOC (10) Cl.** ..... **12-15**

(52) **U.S. Cl.**  
USPC ..... **D12/601**

(58) **Field of Classification Search**  
USPC ..... D12/563–565, 568–603, 900–901;  
152/209.1–209.9, 209.11–209.19,  
152/209.21–209.28, 455  
See application file for complete search history.

(56) **References Cited**

**U.S. PATENT DOCUMENTS**

D365,063 S \* 12/1995 Lurois et al. .... D12/601  
D379,607 S \* 6/1997 Lurois et al. .... D12/600  
D399,461 S \* 10/1998 Lurois et al. .... D12/601

D450,635 S \* 11/2001 Fierro et al. .... D12/595  
D452,199 S \* 12/2001 Robert et al. .... D12/594  
D602,853 S \* 10/2009 Nopper et al. .... D12/600  
D609,174 S \* 2/2010 Cai ..... D12/600  
D628,955 S \* 12/2010 Toumni et al. .... D12/588  
D645,396 S \* 9/2011 Jacobs et al. .... D12/600  
D660,223 S \* 5/2012 Dixon et al. .... D12/600  
D662,875 S \* 7/2012 Xu ..... D12/601

\* cited by examiner

*Primary Examiner* — Stacia Cadmus

(74) *Attorney, Agent, or Firm* — Greenblum & Bernstein,  
P.L.C.

(57) **CLAIM**

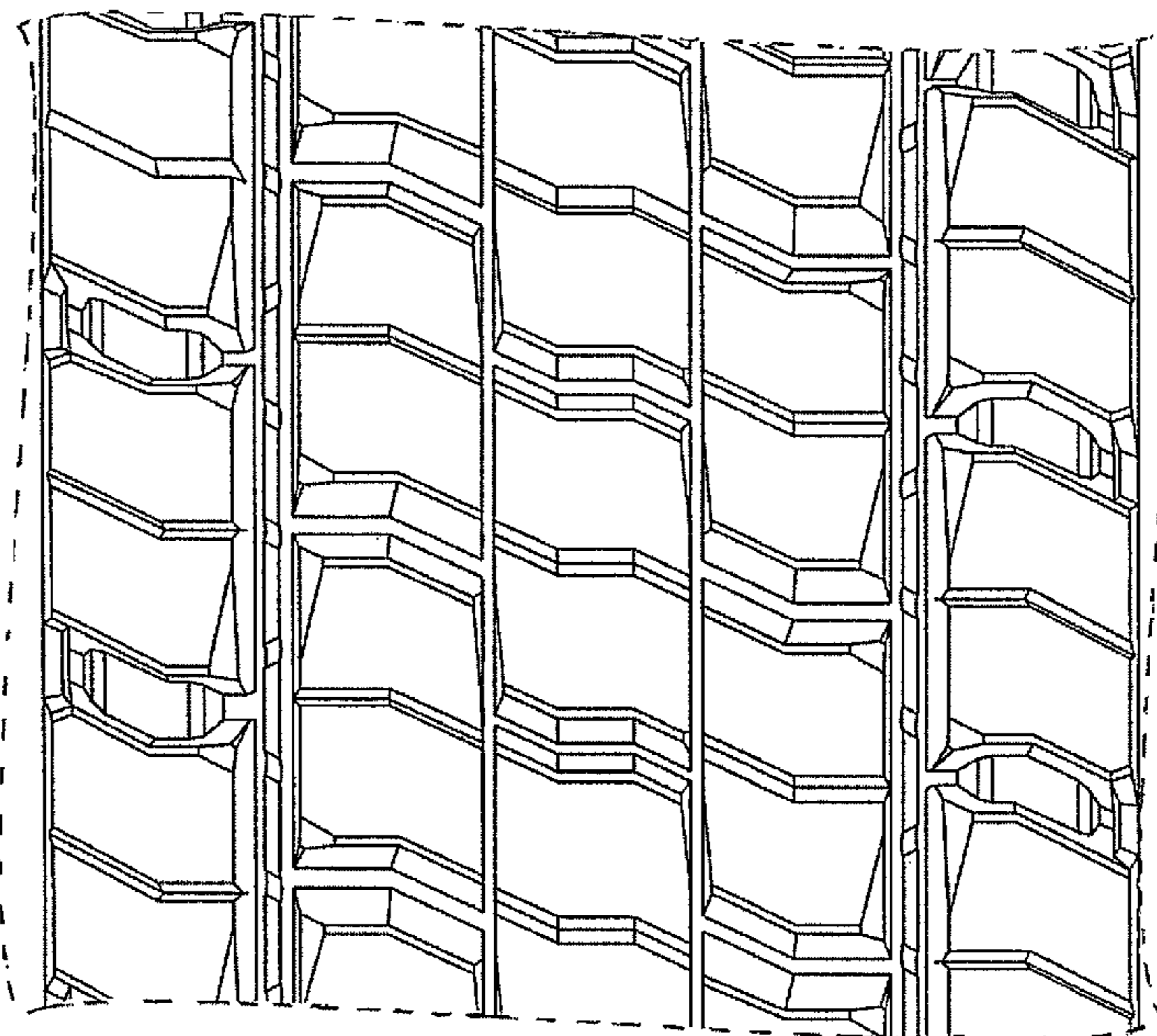
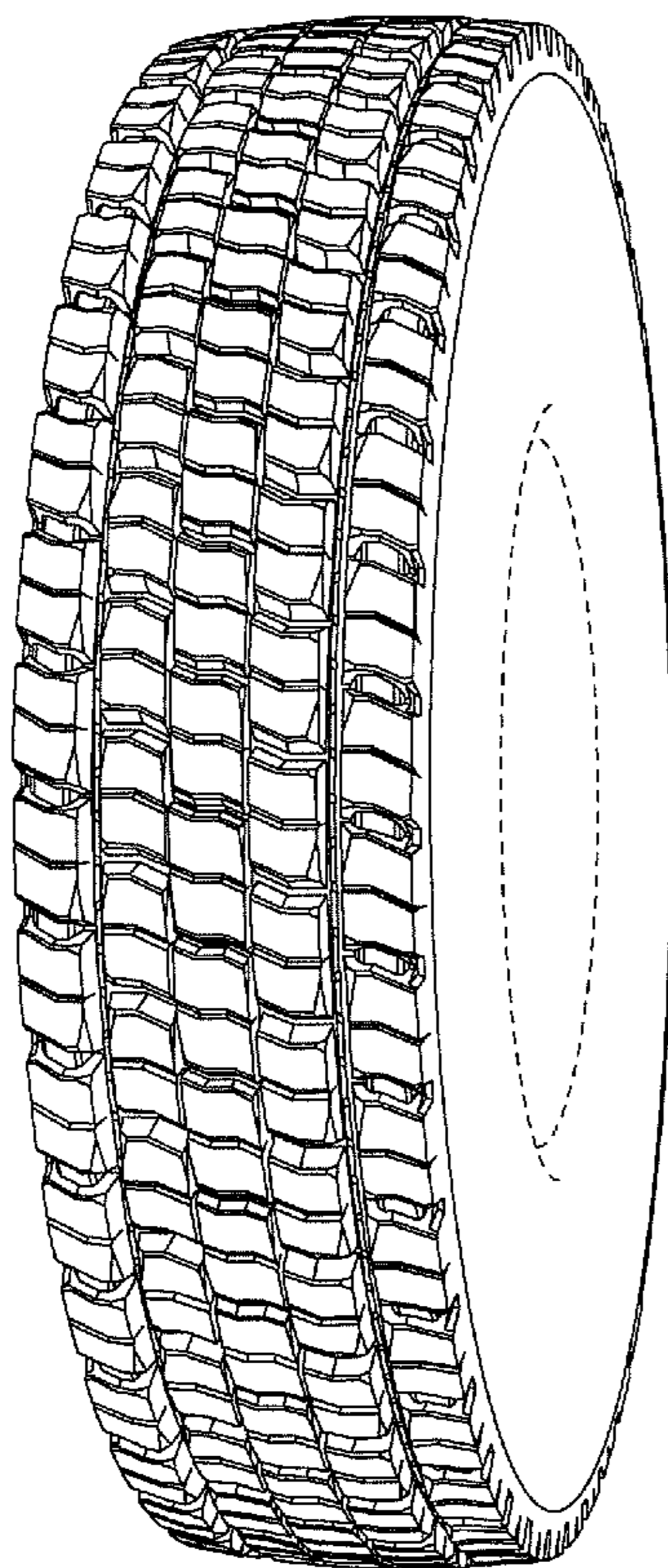
I claim the ornamental design for a tire, as shown and described.

**DESCRIPTION**

FIG. 1 is a front side perspective view of the tire;  
FIG. 2 is a front view of FIG. 1;  
FIG. 3 is a left side view of FIG. 1;  
FIG. 4 is a right side view of FIG. 1; and,  
FIG. 5 is an enlarged section of the tire of FIG. 1. The lines defining a box surrounding the section forms no part of the design.

The broken lines forming a box in FIG. 5 is included for the purpose of illustrating an enlarged section of the tire and forms no part of the claimed invention.

**1 Claim, 5 Drawing Sheets**



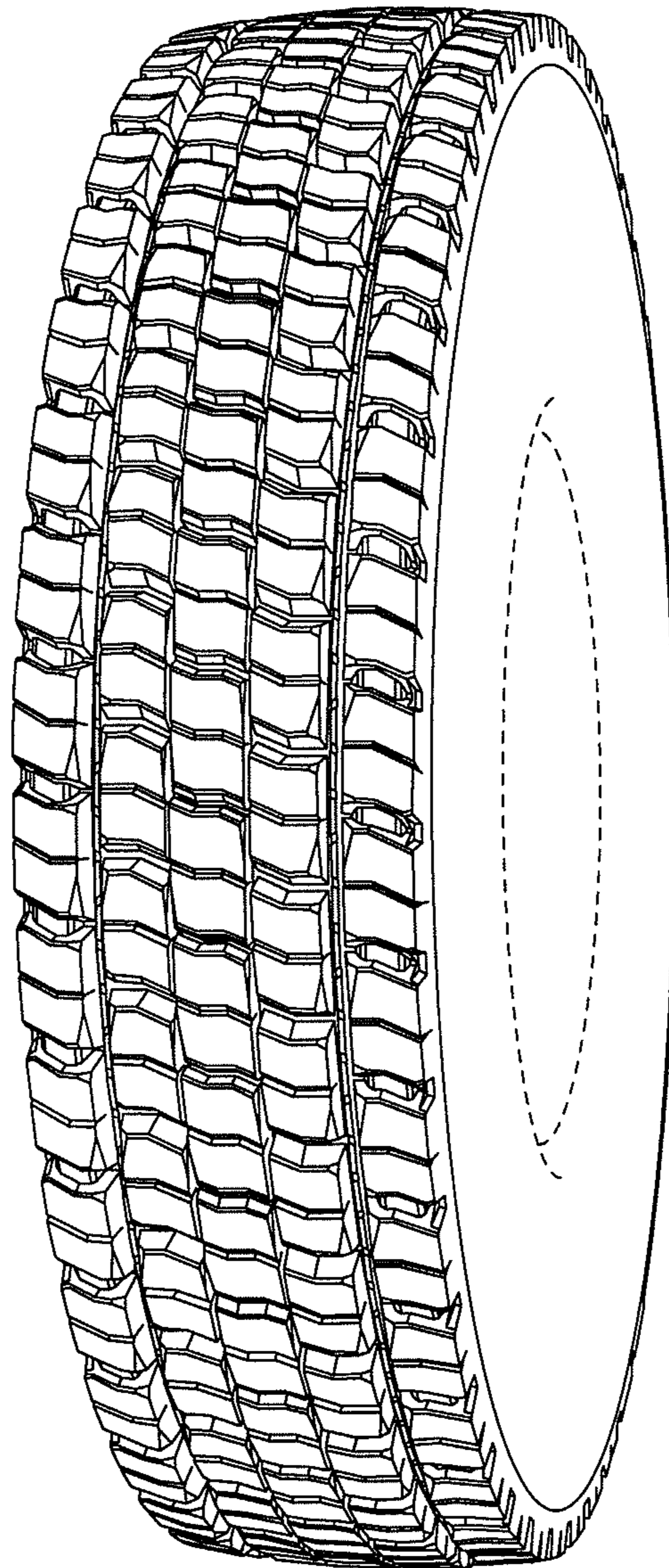


FIG. 1

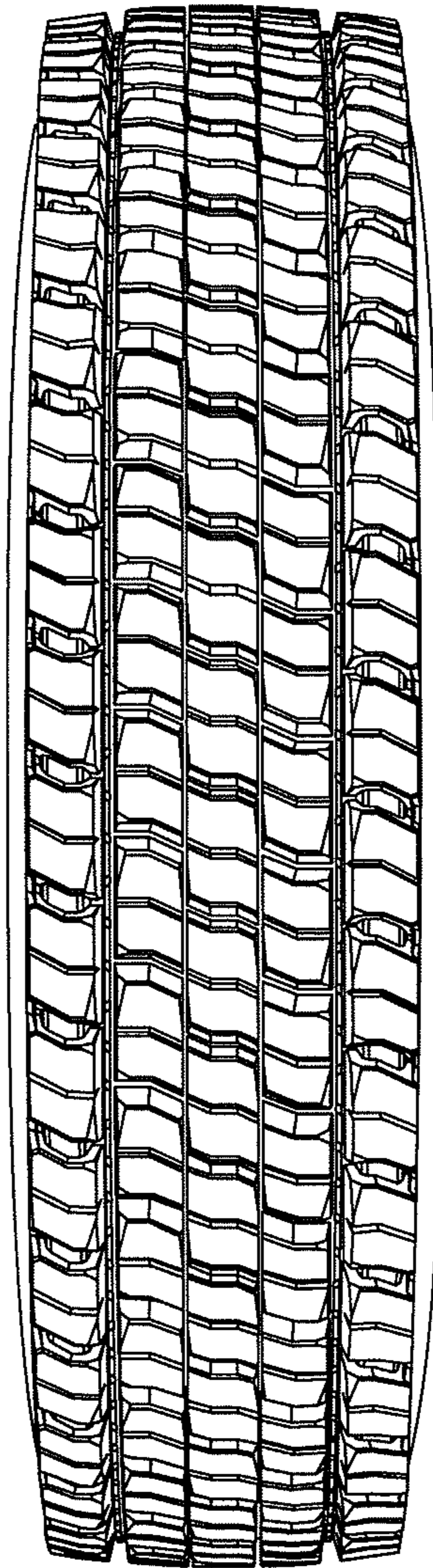


FIG. 2

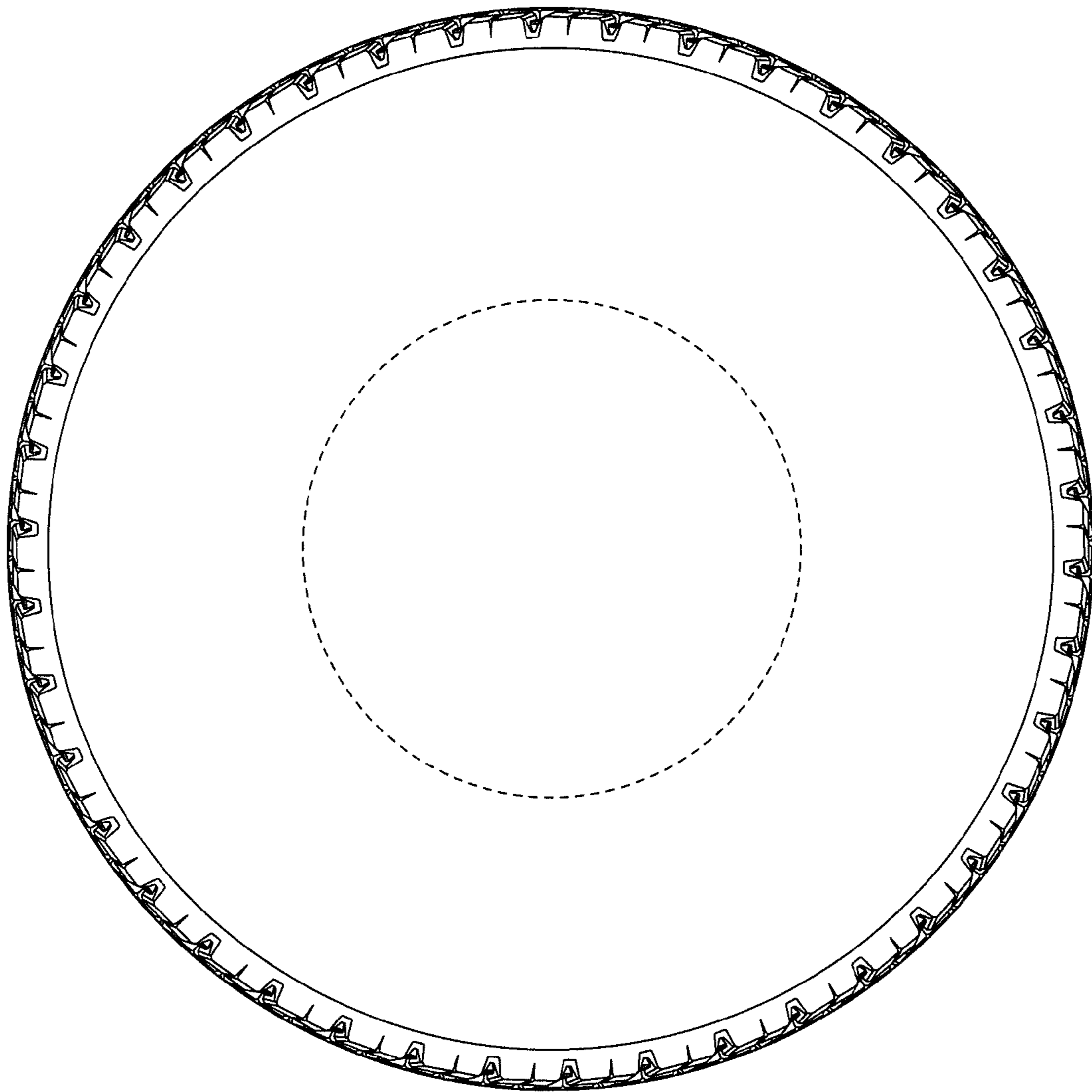


FIG. 3

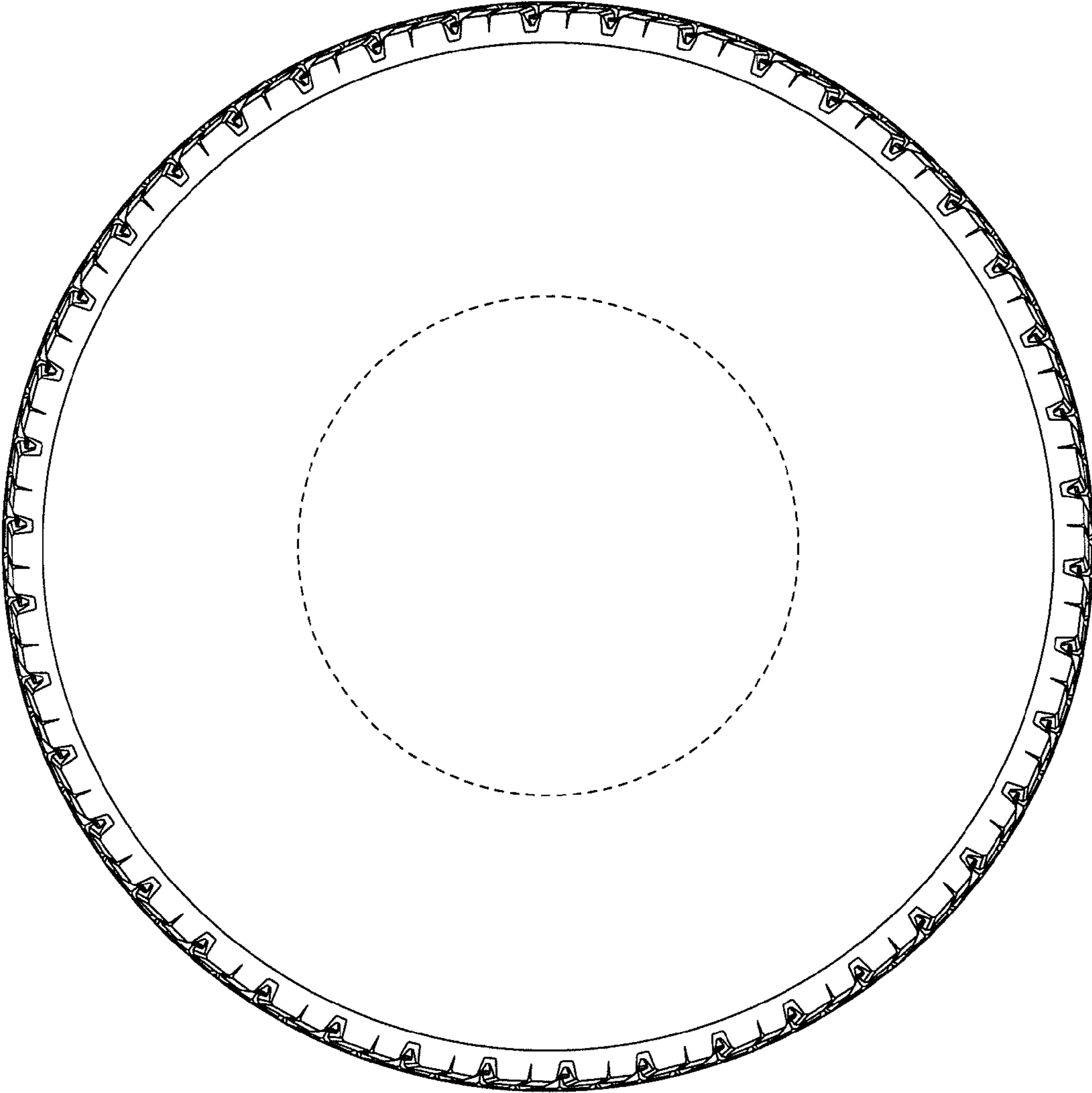


FIG. 4

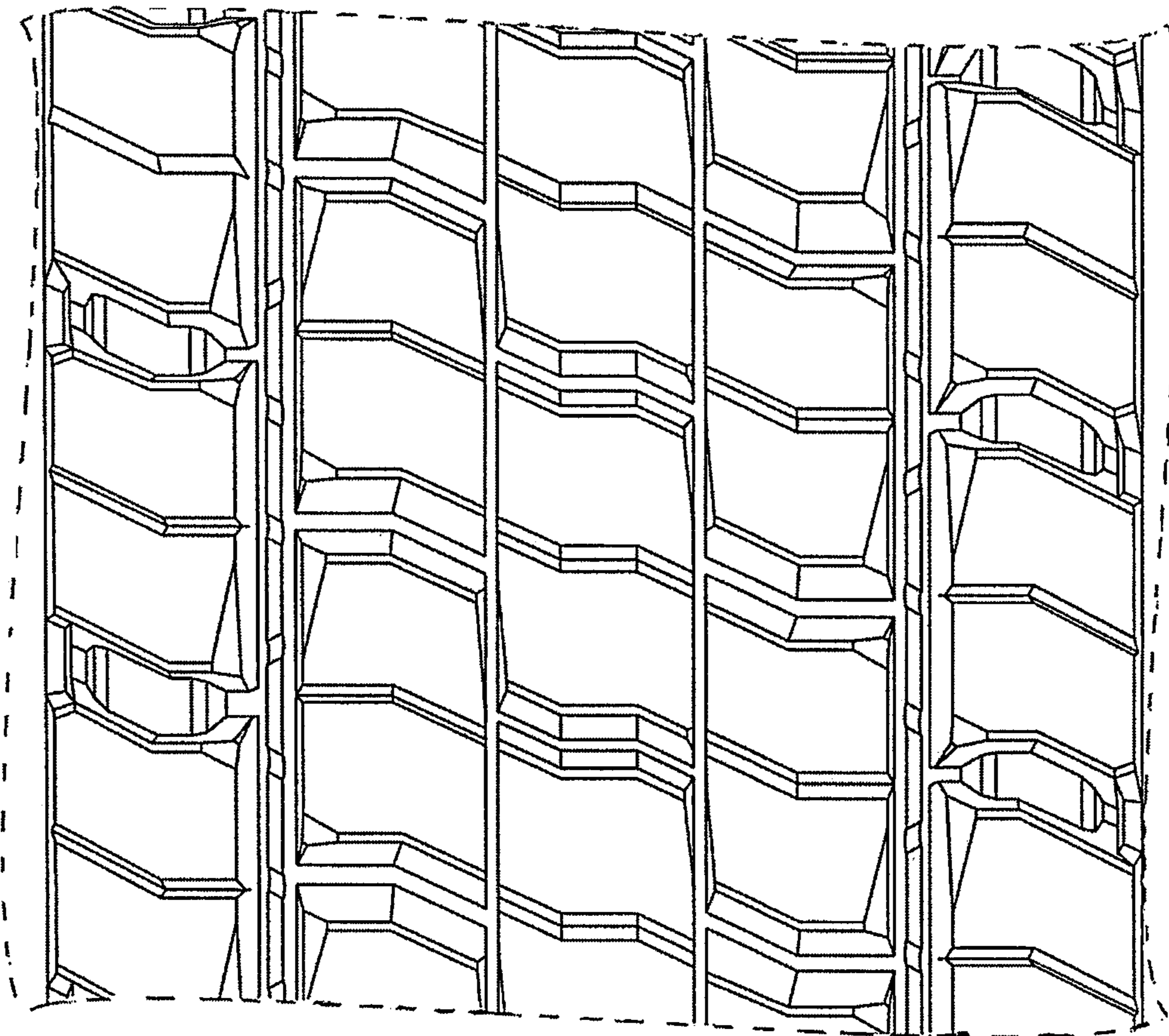


FIG. 5