



US00D725583S

(12) **United States Design Patent**  
**Seki et al.**

(10) **Patent No.:** **US D725,583 S**  
(45) **Date of Patent:** **\*\* Mar. 31, 2015**

(54) **CENTER CONSOLE FOR AN AUTOMOBILE**

(71) Applicant: **Nissan Motor Co., Ltd.**, Yokohama,  
Kanagawa (JP)

(72) Inventors: **Daisuke Seki**, Kanagawa (JP); **Junji Kobari**, Kanagawa (JP)

(73) Assignee: **Nissan Motor Co., Ltd.**, Yokohama (JP)

(\*\*) Term: **14 Years**

(21) Appl. No.: **29/451,137**

(22) Filed: **Mar. 28, 2013**

(30) **Foreign Application Priority Data**

Sep. 28, 2012 (JP) ..... 2012-023871

(51) **LOC (10) Cl.** ..... **12-16**

(52) **U.S. Cl.**  
USPC ..... **D12/419**

(58) **Field of Classification Search**  
USPC ..... D12/419, 416, 417, 418, 415, 420;  
D21/421; D7/619.1-625, 701;  
296/37.1, 37.8, 37.13-37.16, 36;  
22/539; 224/404; 297/411.26, 411.23  
See application file for complete search history.

(56) **References Cited**

**U.S. PATENT DOCUMENTS**

D359,266 S \* 6/1995 Karp et al. .... D12/419  
D448,720 S \* 10/2001 Nash et al. .... D12/419  
D538,737 S \* 3/2007 Scully ..... D12/421

D568,232 S \* 5/2008 Motozaki et al. .... D12/421  
D571,280 S \* 6/2008 Nakajima et al. .... D12/415  
D624,869 S \* 10/2010 Corradi ..... D12/415  
D718,218 S 11/2014 Tanaka et al.

\* cited by examiner

*Primary Examiner* — Katrina A Betton

(74) *Attorney, Agent, or Firm* — Global IP Counselors, LLP

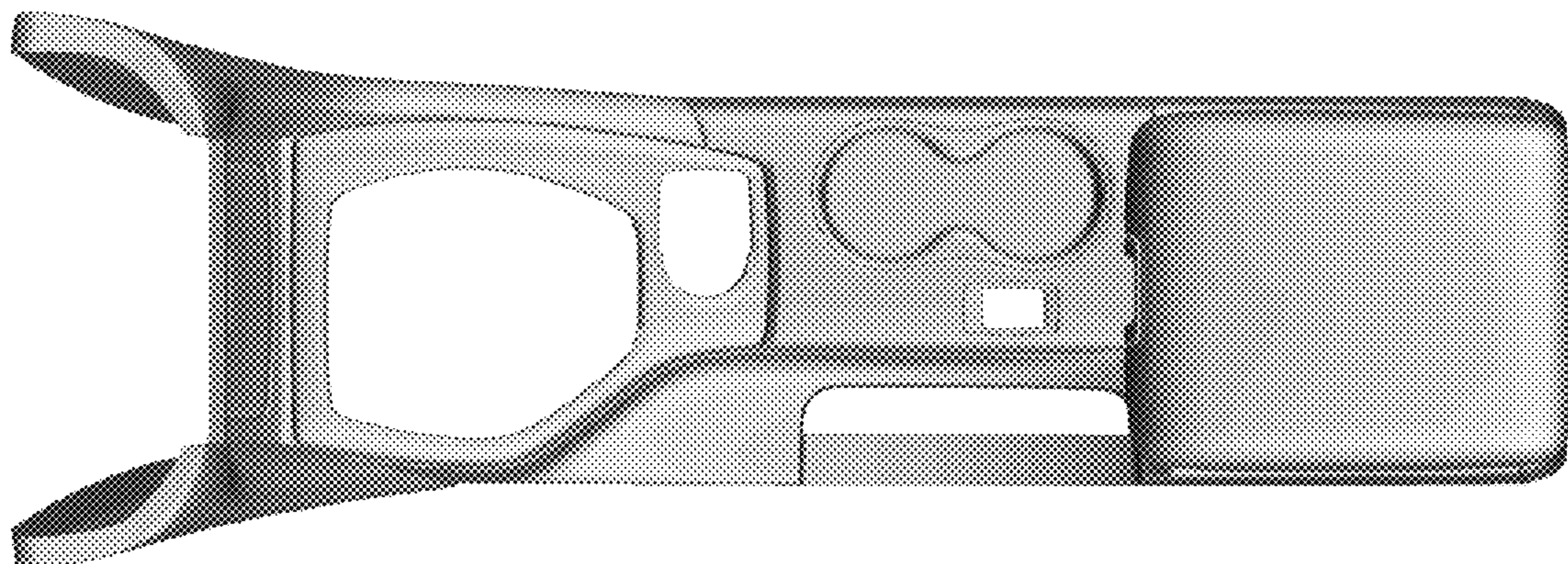
(57) **CLAIM**

The ornamental design for a center console for an automobile, as shown and described.

**DESCRIPTION**

FIG. 1 is a first side elevational view of a center console for an automobile in accordance with our new design;  
FIG. 2 is a second elevational view of the center console in accordance with our new design of FIG. 1;  
FIG. 3 is a top plan view of the center console in accordance with our new design of FIGS. 1 and 2;  
FIG. 4 is a bottom plan view of the center console in accordance with our new design of FIGS. 1 to 3;  
FIG. 5 is a front end elevational view of the center console in accordance with our new design of FIGS. 1 to 4;  
FIG. 6 is a rear end elevational view of the center console in accordance with our new design of FIGS. 1 to 5;  
FIG. 7 is a front, top side perspective view of the center console in accordance with our new design of FIGS. 1 to 6; and,  
FIG. 8 is a rear, top side perspective view of the center console in accordance with our new design of FIGS. 1 to 7.  
The non-cabin facing surfaces of the center console forms no part of the claimed design.  
Our new design includes the mirror image of the center console shown in FIGS. 1 to 8.

**1 Claim, 8 Drawing Sheets**



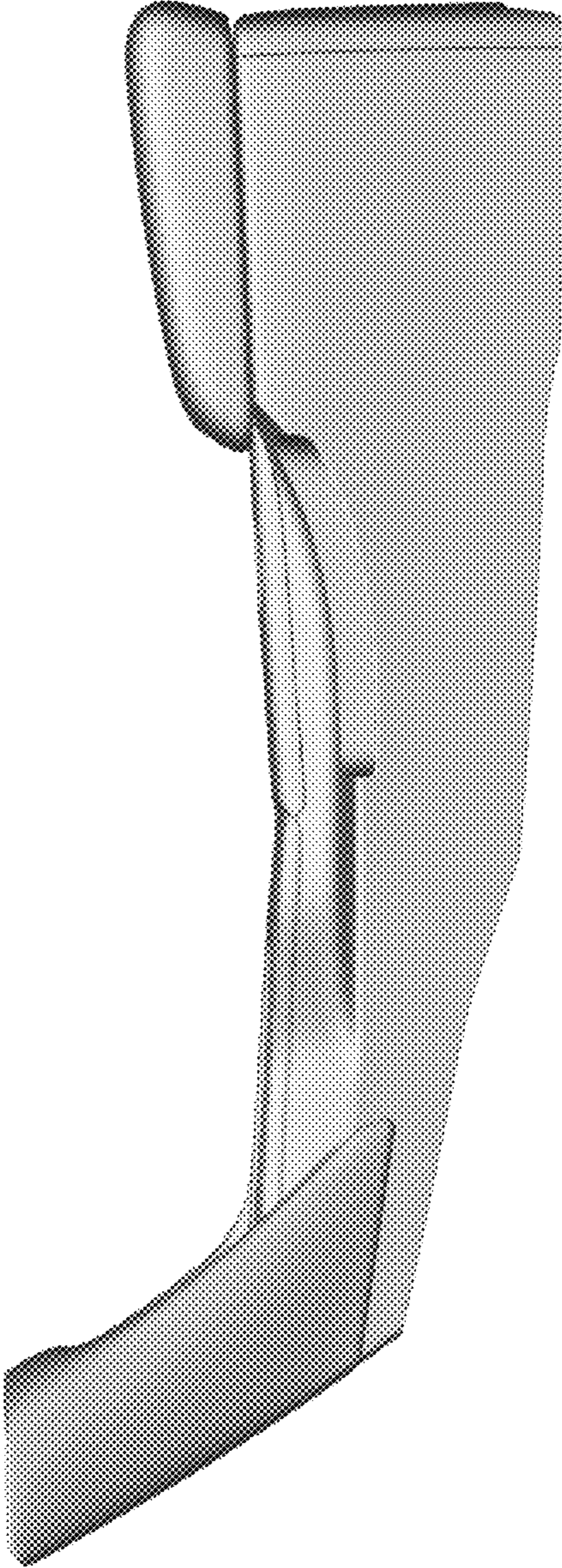


FIG. 1

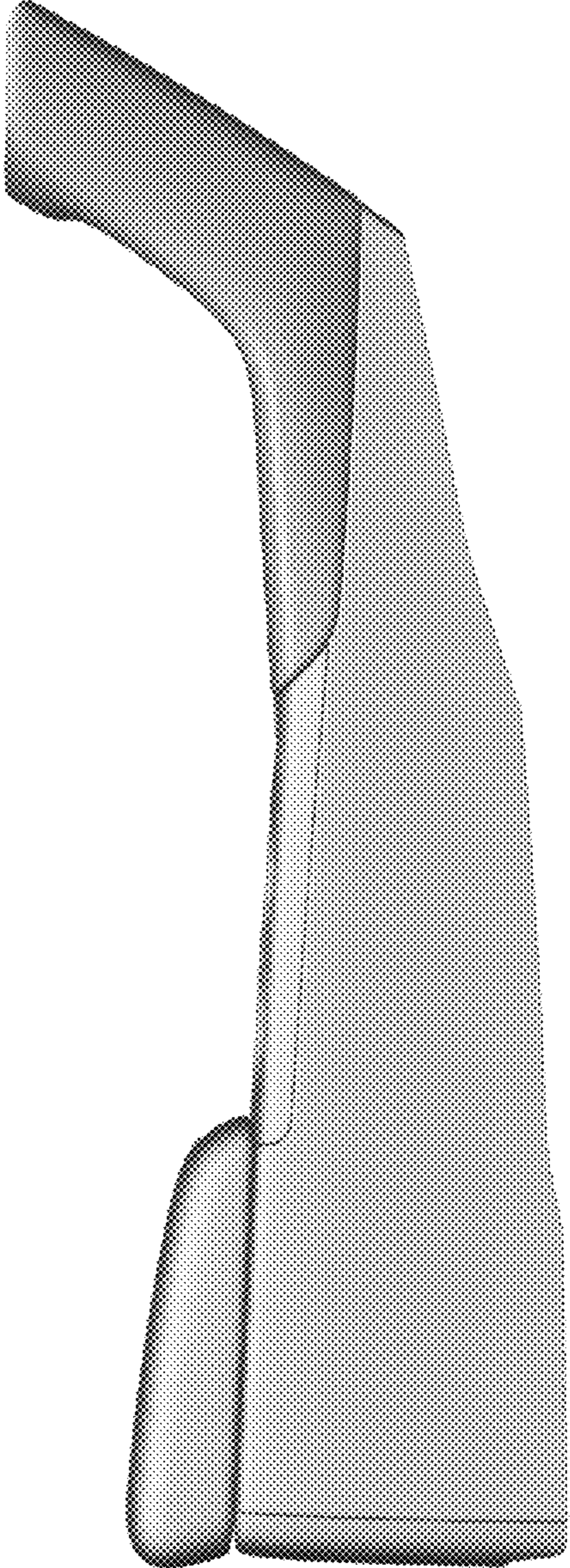


FIG. 2

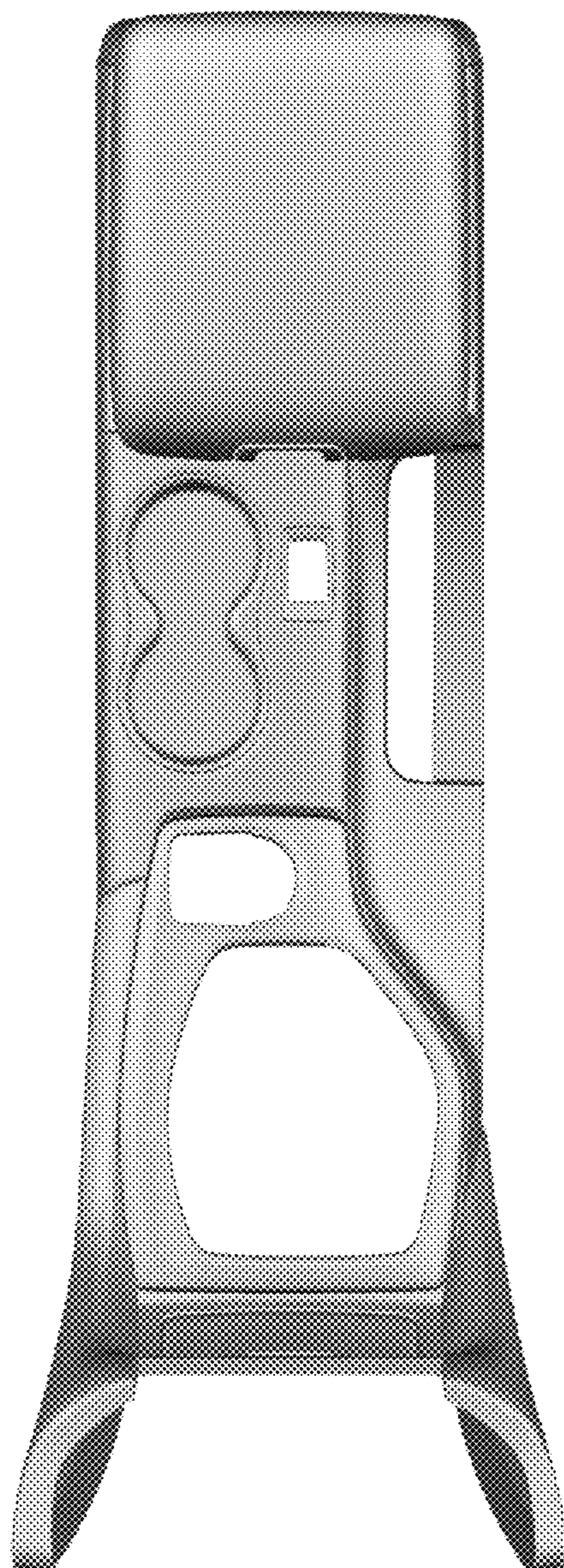


FIG. 3

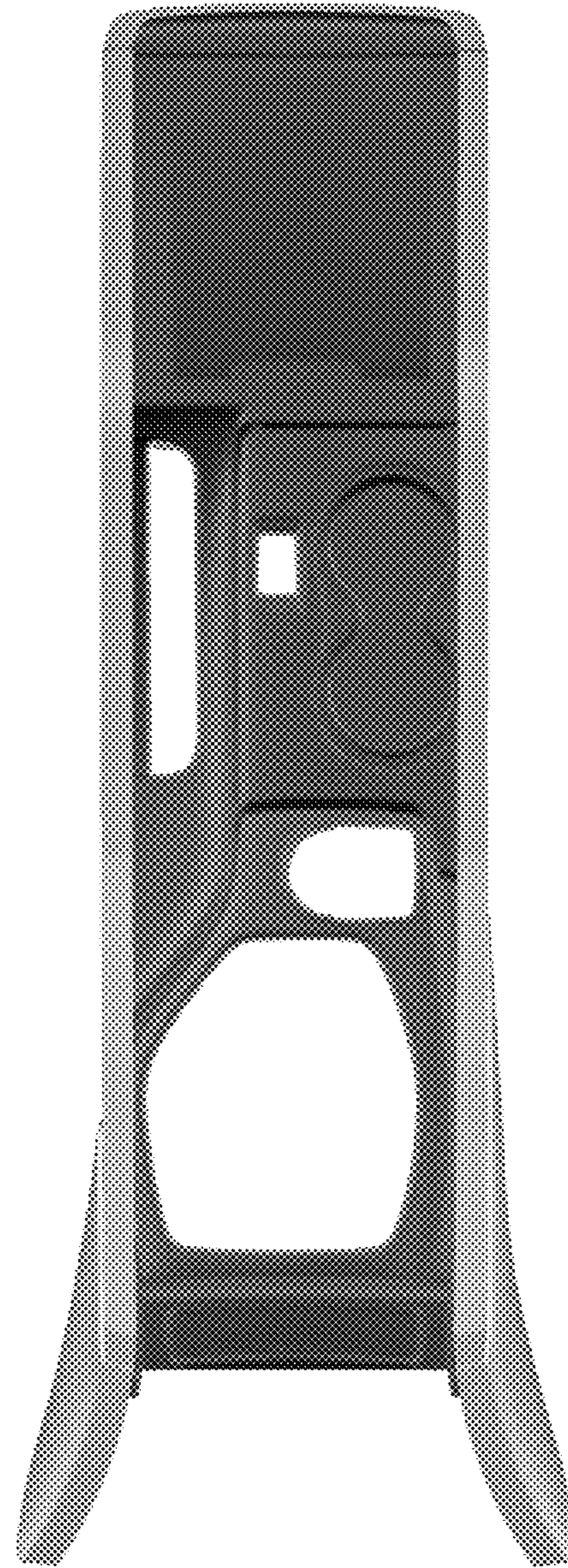


FIG. 4

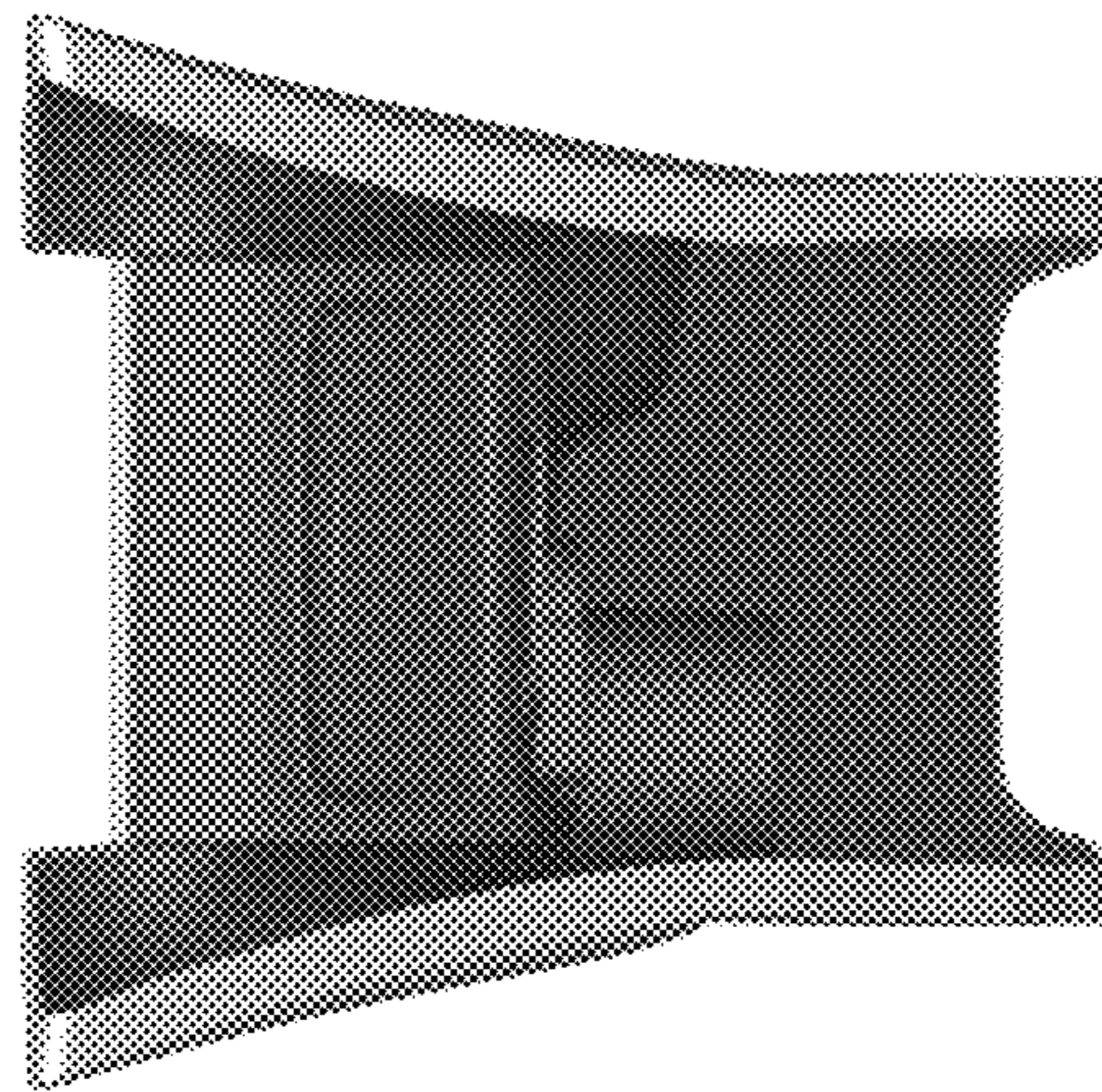


FIG. 5

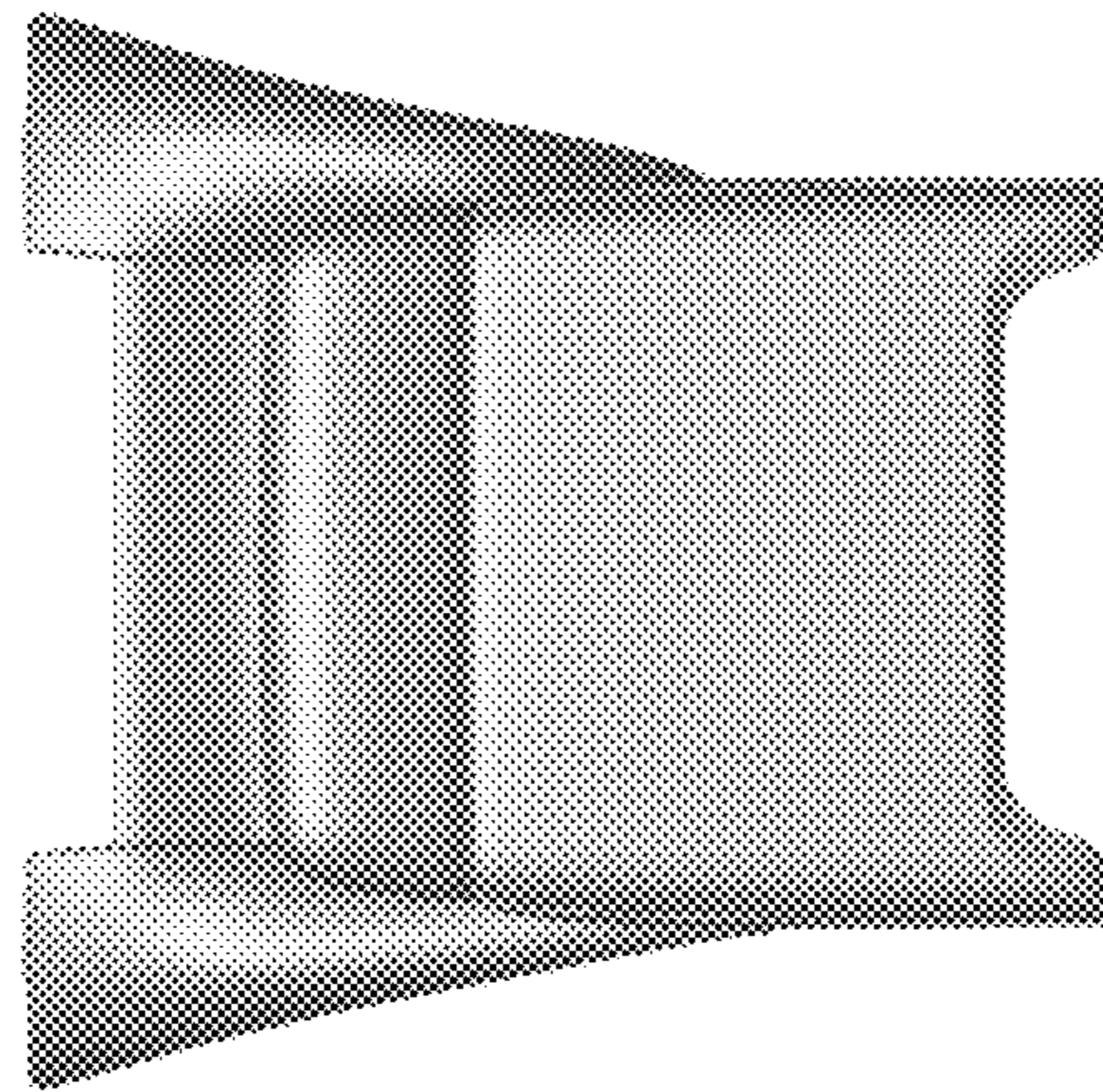


FIG. 6

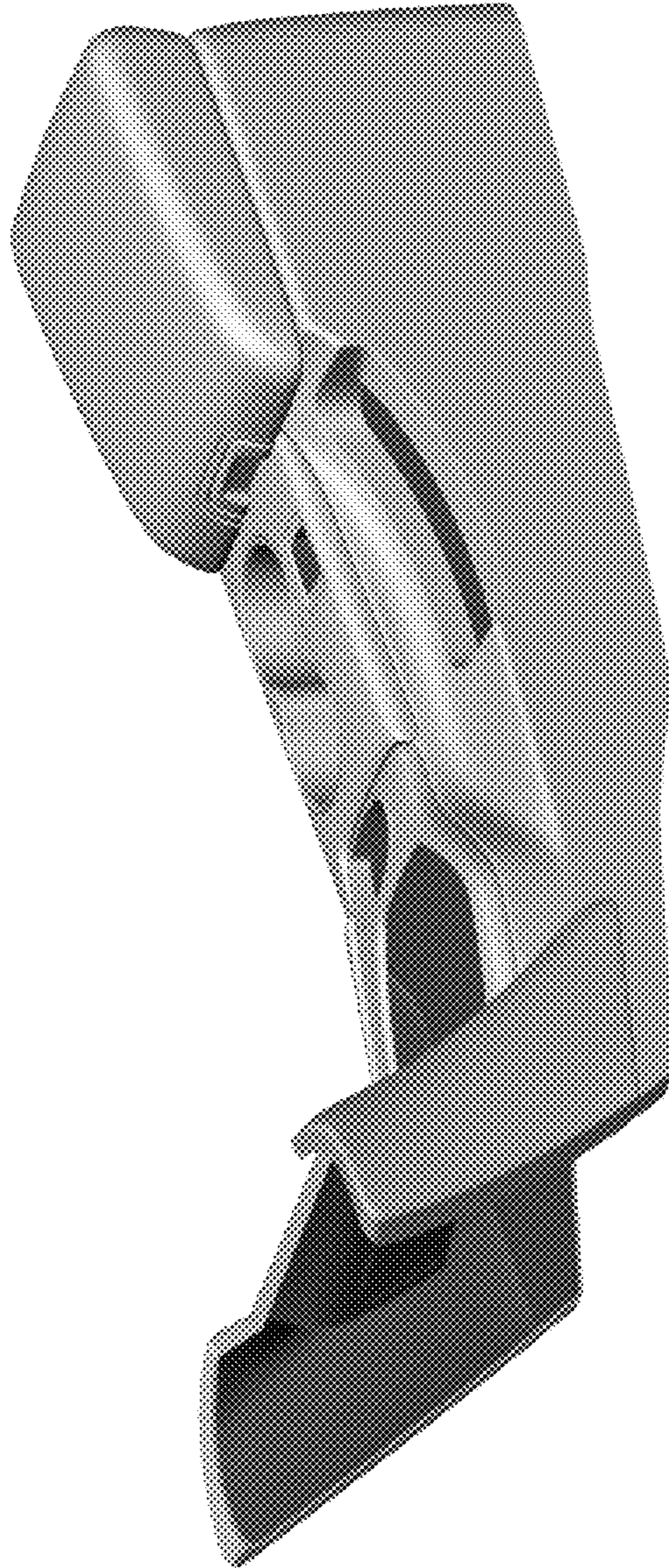


FIG. 7



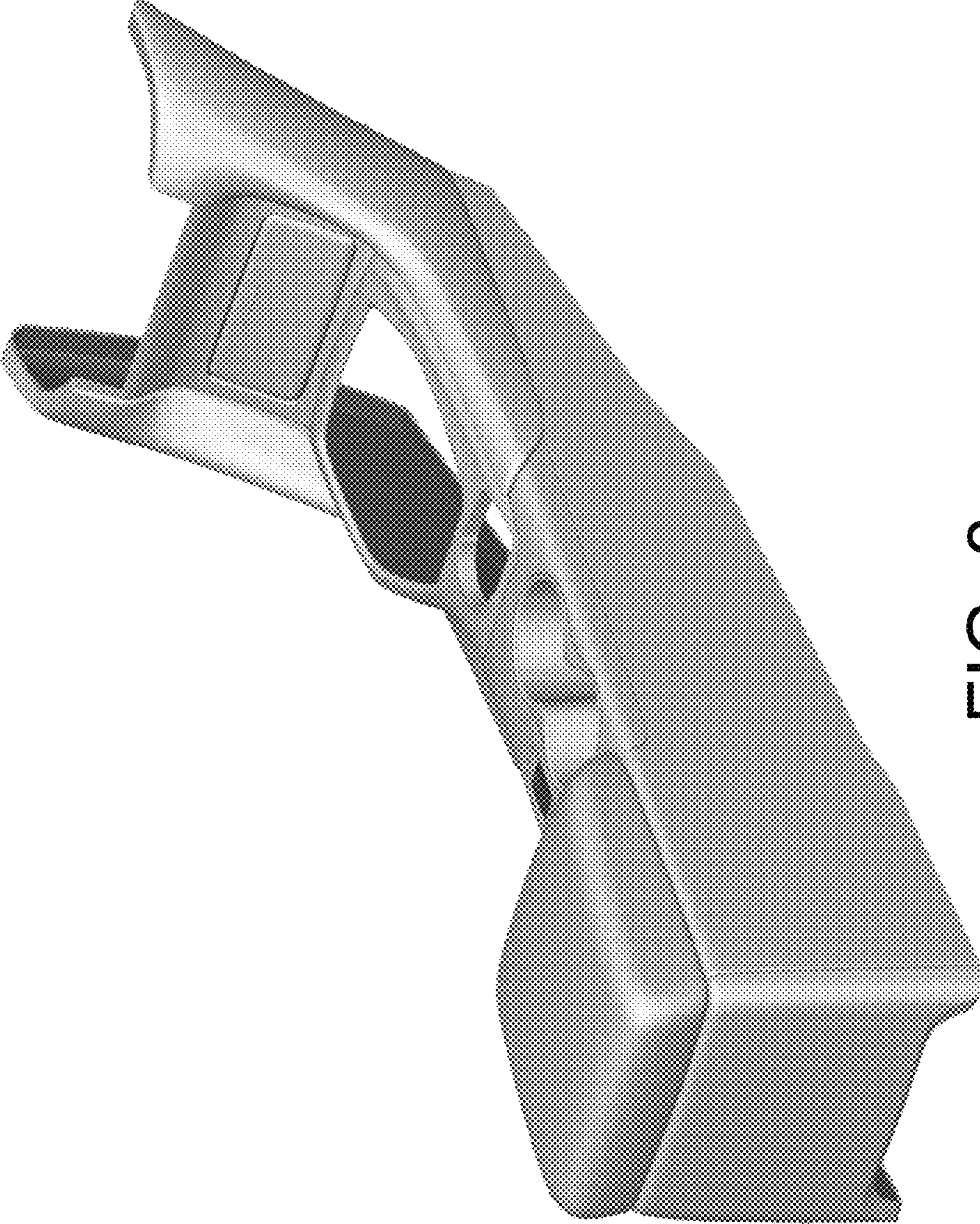


FIG. 8