



US00D725582S

(12) **United States Design Patent**
Kobari et al.

(10) **Patent No.:** **US D725,582 S**
(45) **Date of Patent:** **** Mar. 31, 2015**

(54) **CENTER CONSOLE FOR AN AUTOMOBILE**

(71) Applicant: **Nissan Motor Co., Ltd.**, Yokohama,
Kanagawa (JP)

(72) Inventors: **Junji Kobari**, Kanagawa (JP); **Ahyoung Min**, Seoul (KR); **Bert Dehaes**, Twyford (GB)

(73) Assignee: **Nissan Motor Co., Ltd.**, Yokohama (JP)

(**) Term: **14 Years**

(21) Appl. No.: **29/451,135**

(22) Filed: **Mar. 28, 2013**

(30) **Foreign Application Priority Data**

Sep. 28, 2012 (JP) 2012-023870

(51) **LOC (10) Cl.** **12-16**

(52) **U.S. Cl.**
USPC **D12/419**

(58) **Field of Classification Search**
USPC D12/419, 416, 417, 418, 415, 420;
D21/421; D7/619.1-625, 701;
296/37.1, 37.8, 37.13-37.16, 36;
22/539; 224/404; 297/411.26, 411.23
See application file for complete search history.

(56) **References Cited**

U.S. PATENT DOCUMENTS

D359,266 S * 6/1995 Karp et al. D12/419
D448,720 S * 10/2001 Nash et al. D12/419
D538,737 S * 3/2007 Scully D12/421
D568,232 S * 5/2008 Motozaki et al. D12/421
D571,280 S * 6/2008 Nakajima et al. D12/415
D624,869 S * 10/2010 Corradi D12/415

D632,639 S * 2/2011 Rosenbohm D12/415
D656,457 S * 3/2012 Crepeau D12/419
D672,706 S * 12/2012 Okumura et al. D12/415
8,714,613 B1 * 5/2014 Gillis et al. 296/24.34
D713,324 S * 9/2014 Bose et al. D12/415
D718,218 S * 11/2014 Tanaka et al. D12/424

* cited by examiner

Primary Examiner — Katrina A Betton

(74) *Attorney, Agent, or Firm* — Global IP Counselors, LLP

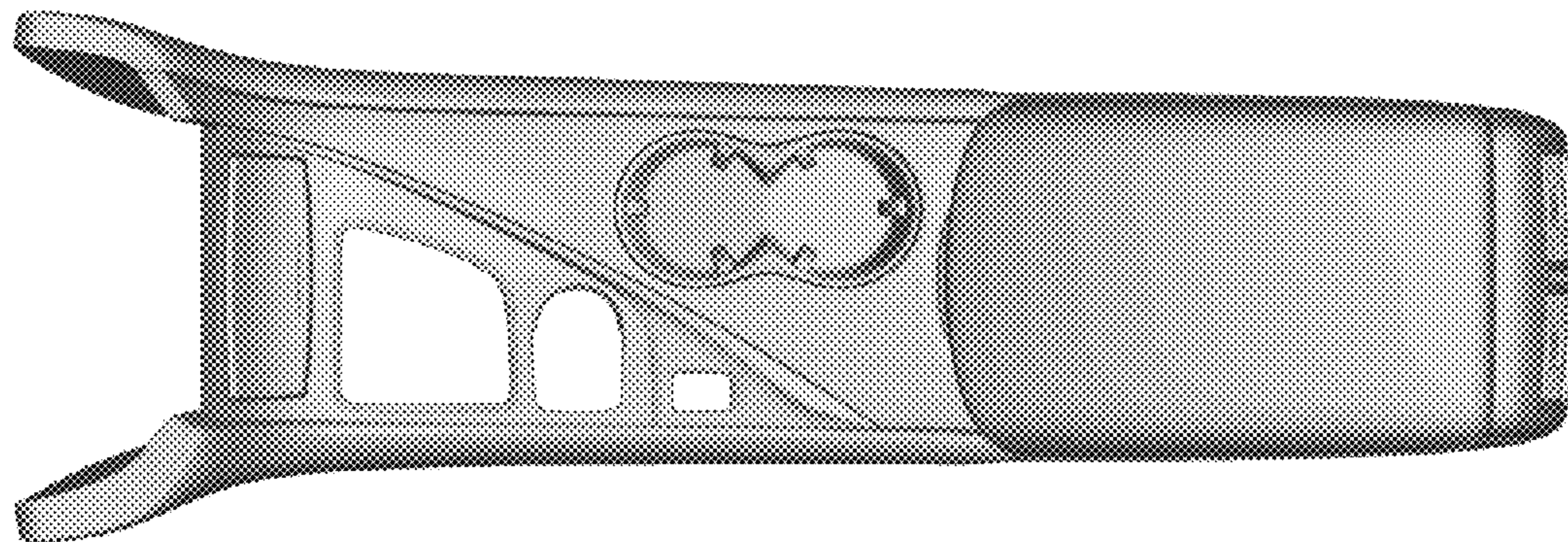
(57) **CLAIM**

The ornamental design for a center console for an automobile, as shown and described.

DESCRIPTION

FIG. 1 is a first side elevational view of a center console for an automobile in accordance with our new design;
FIG. 2 is a second elevational view of the center console in accordance with our new design of FIG. 1;
FIG. 3 is a top plan view of the center console in accordance with our new design of FIGS. 1 and 2;
FIG. 4 is a bottom plan view of the center console in accordance with our new design of FIGS. 1 to 3;
FIG. 5 is a front end elevational view of the center console in accordance with our new design of FIGS. 1 to 4;
FIG. 6 is a rear end elevational view of the center console in accordance with our new design of FIGS. 1 to 5;
FIG. 7 is a front, top side perspective view of the center console in accordance with our new design of FIGS. 1 to 6; and,
FIG. 8 is a rear, top side perspective view of the center console in accordance with our new design of FIGS. 1 to 7.
The non-cabin facing surfaces of the center console forms no part of the claimed design.
Our new design includes the mirror image of the center console shown in FIGS. 1 to 8.

1 Claim, 8 Drawing Sheets



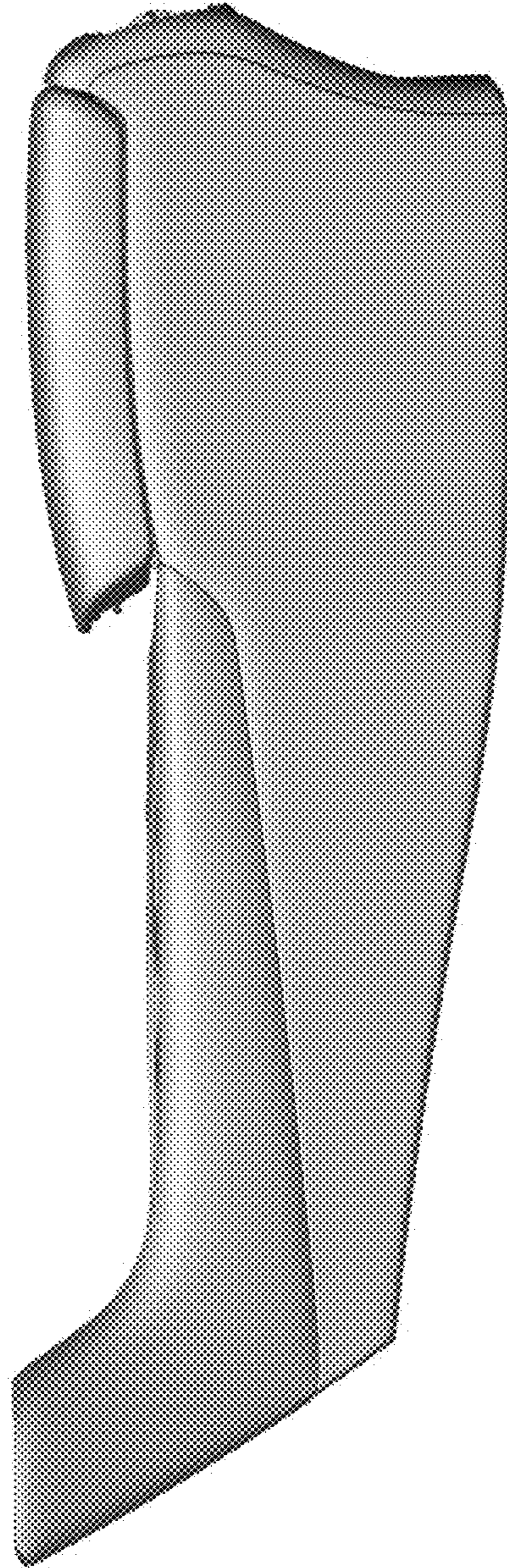


FIG. 1

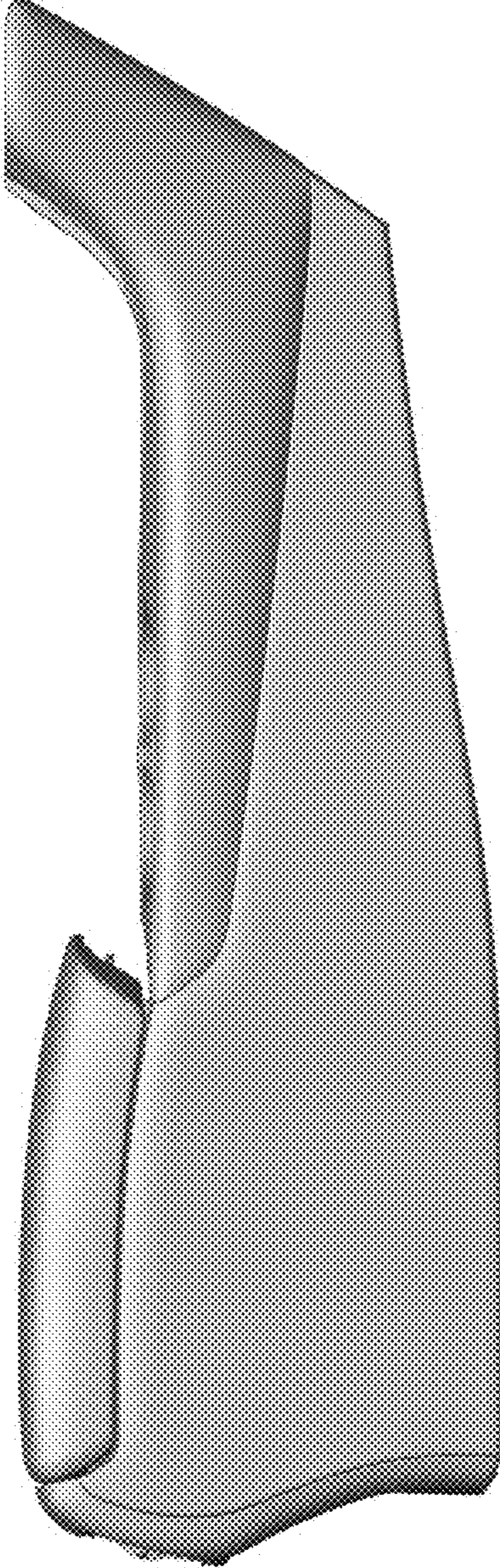


FIG. 2

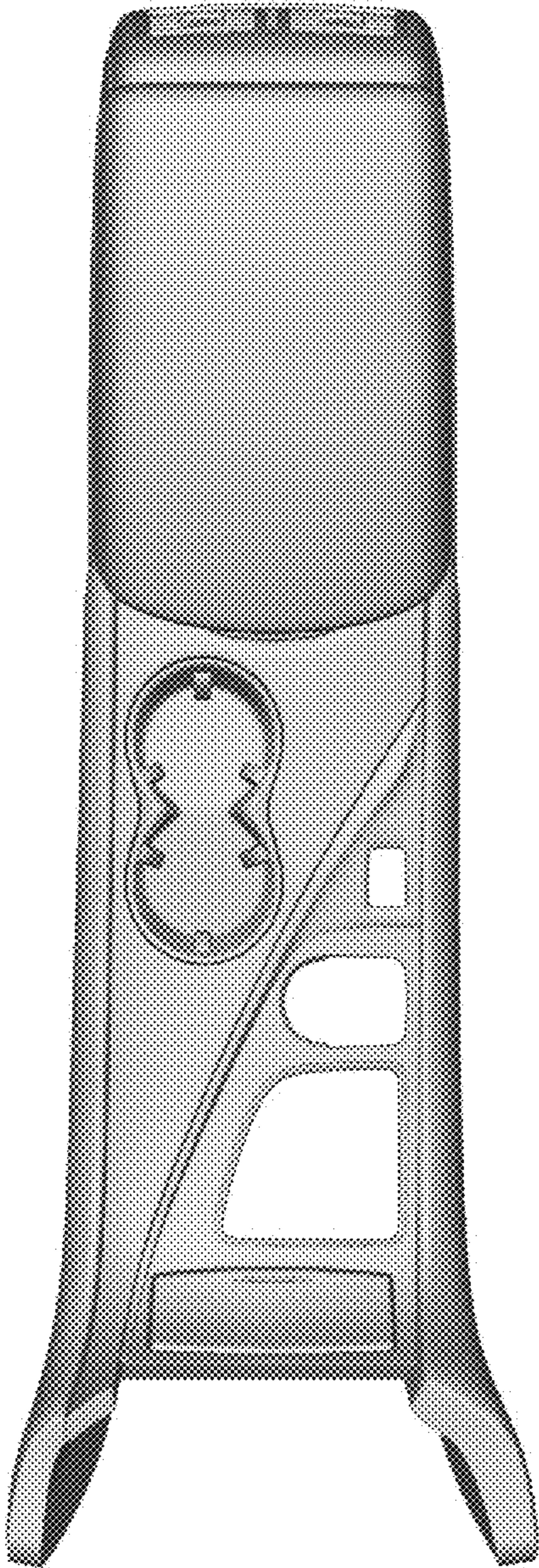


FIG. 3

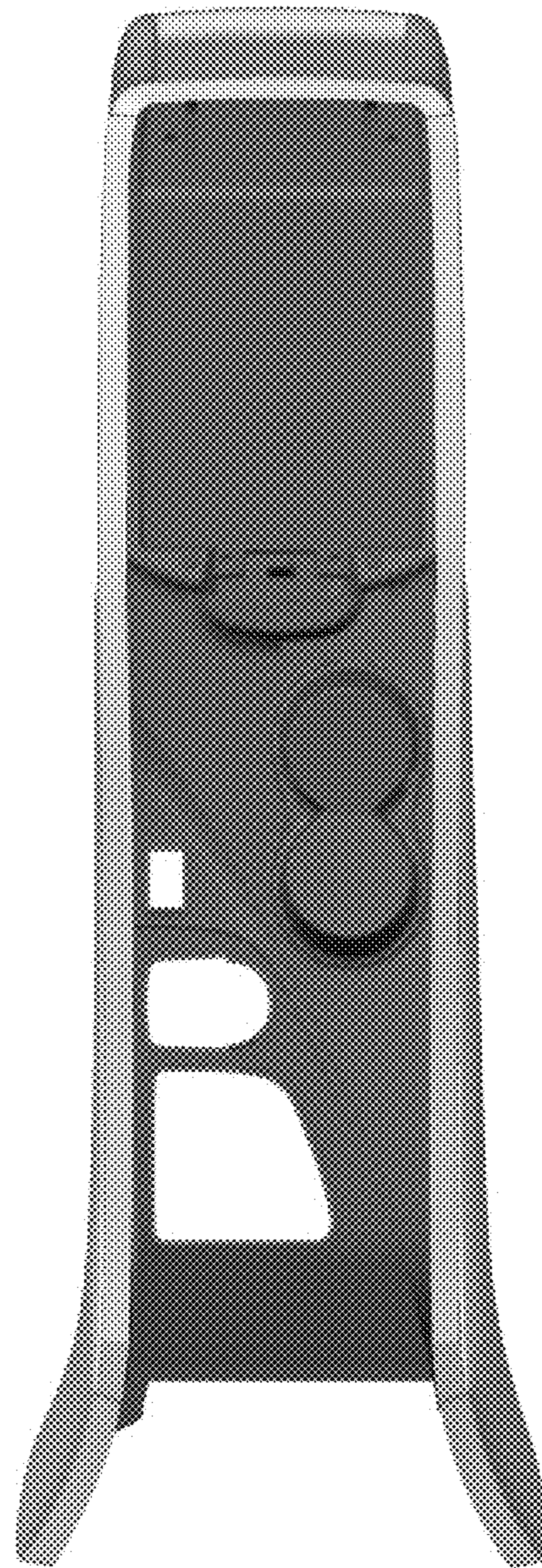


FIG. 4

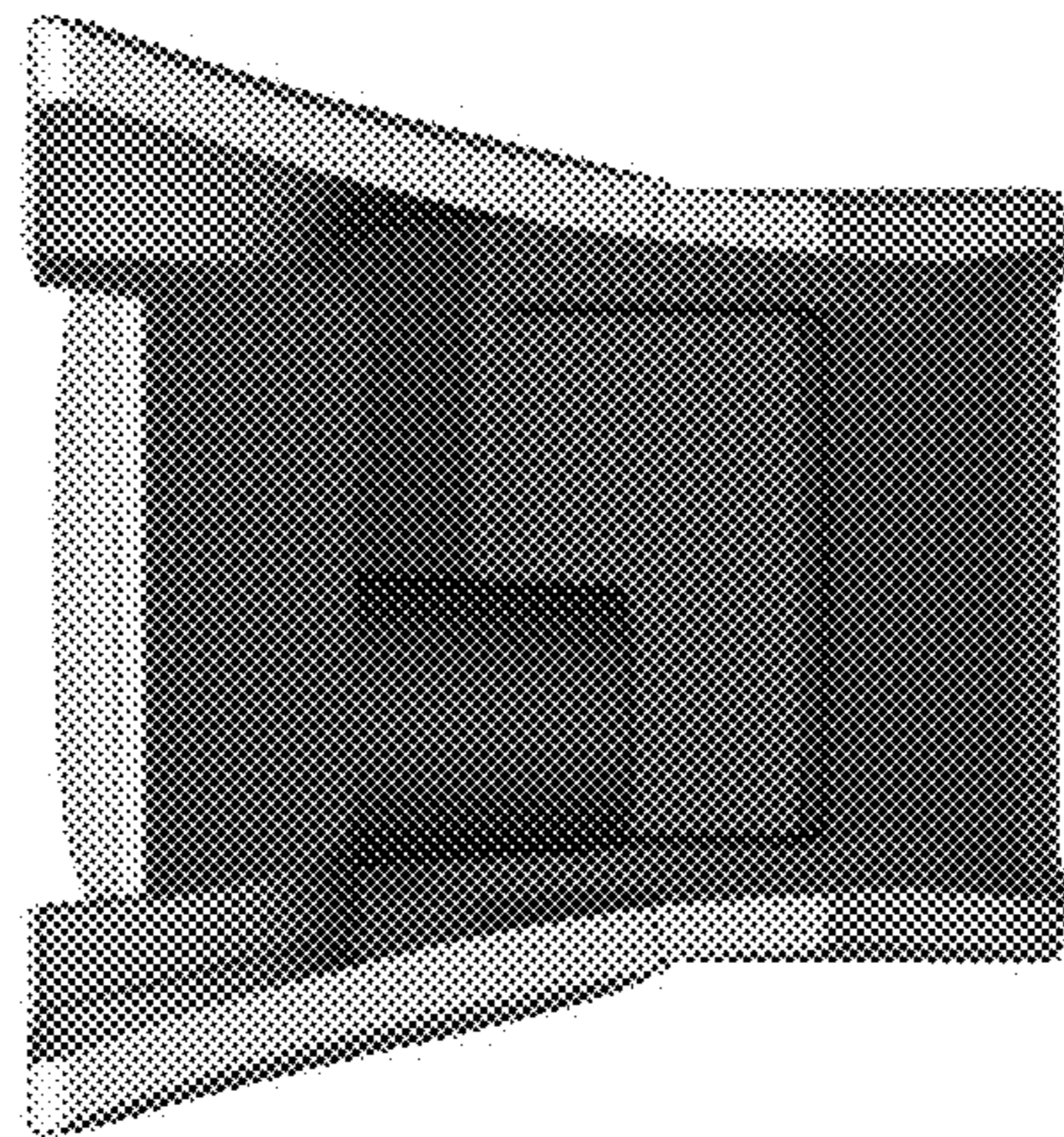


FIG. 5

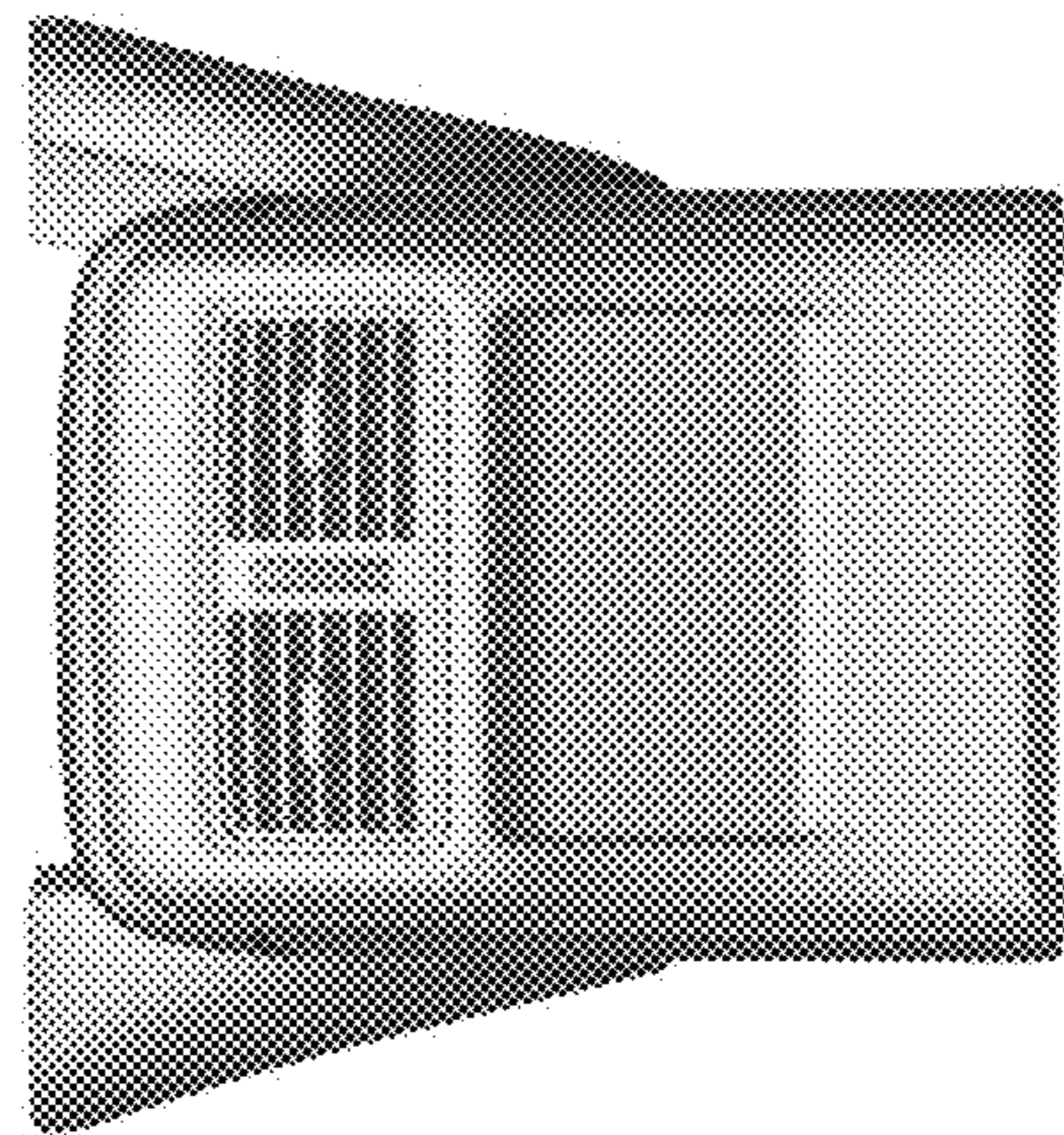


FIG. 6

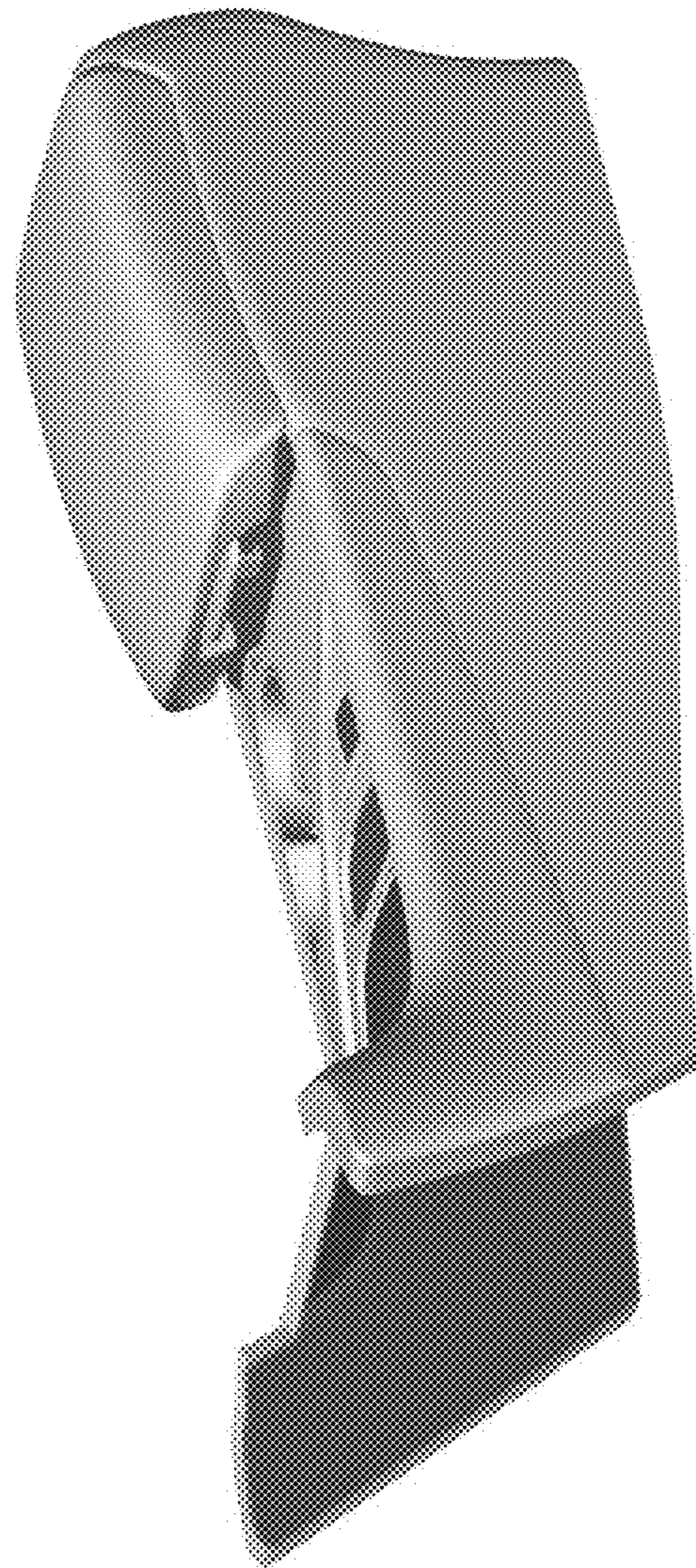


FIG. 7

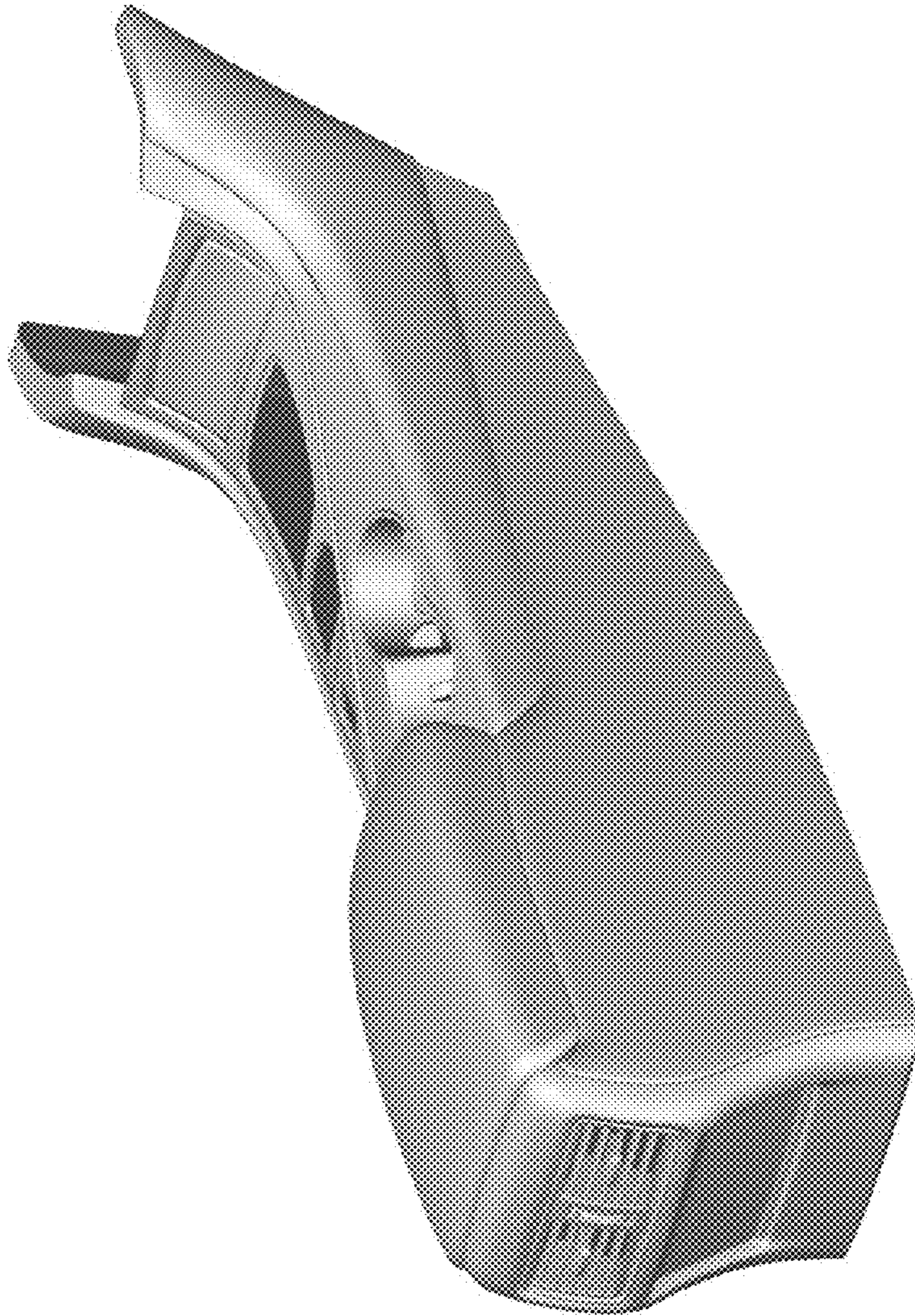


FIG. 8