



US00D725581S

(12) **United States Design Patent**
Ringer et al.

(10) **Patent No.:** **US D725,581 S**
(45) **Date of Patent:** **** Mar. 31, 2015**

(54) **VEHICLE CONSOLE PORTION**
(71) Applicant: **ET Works, LLC**, Mooresville, IN (US)
(72) Inventors: **Chad Ringer**, Trafalgar, IN (US);
Jarrett Waters, Camby, IN (US); **Adam Minniear**, West Lafayette, IN (US);
Justin Honegger, Plainfield, IN (US)
(73) Assignee: **ET Works, LLC**, Mooresville, IN (US)
(**) Term: **14 Years**
(21) Appl. No.: **29/497,266**

D516,097 S * 2/2006 Bergman et al. D15/28
7,806,470 B2 * 10/2010 Steege et al. 297/188.17
D694,701 S * 12/2013 Ouellette et al. D12/415
D710,785 S * 8/2014 Jacobsthal et al. D12/415

* cited by examiner

Primary Examiner — Katrina A Betton
(74) *Attorney, Agent, or Firm* — Maginot, Moore & Beck LLP

(22) Filed: **Jul. 22, 2014**
(51) **LOC (10) Cl.** **12-16**
(52) **U.S. Cl.**
USPC **D12/415**
(58) **Field of Classification Search**
USPC D12/415, 416–420, 400, 191, 106, 195,
D12/345, 96, 99; 312/246; 296/37.1–37.8,
296/70, 24.1, 24.34, 97.1, 97.8; 224/311,
224/539, 281, 118.1; 160/370.21–370.23
See application file for complete search history.

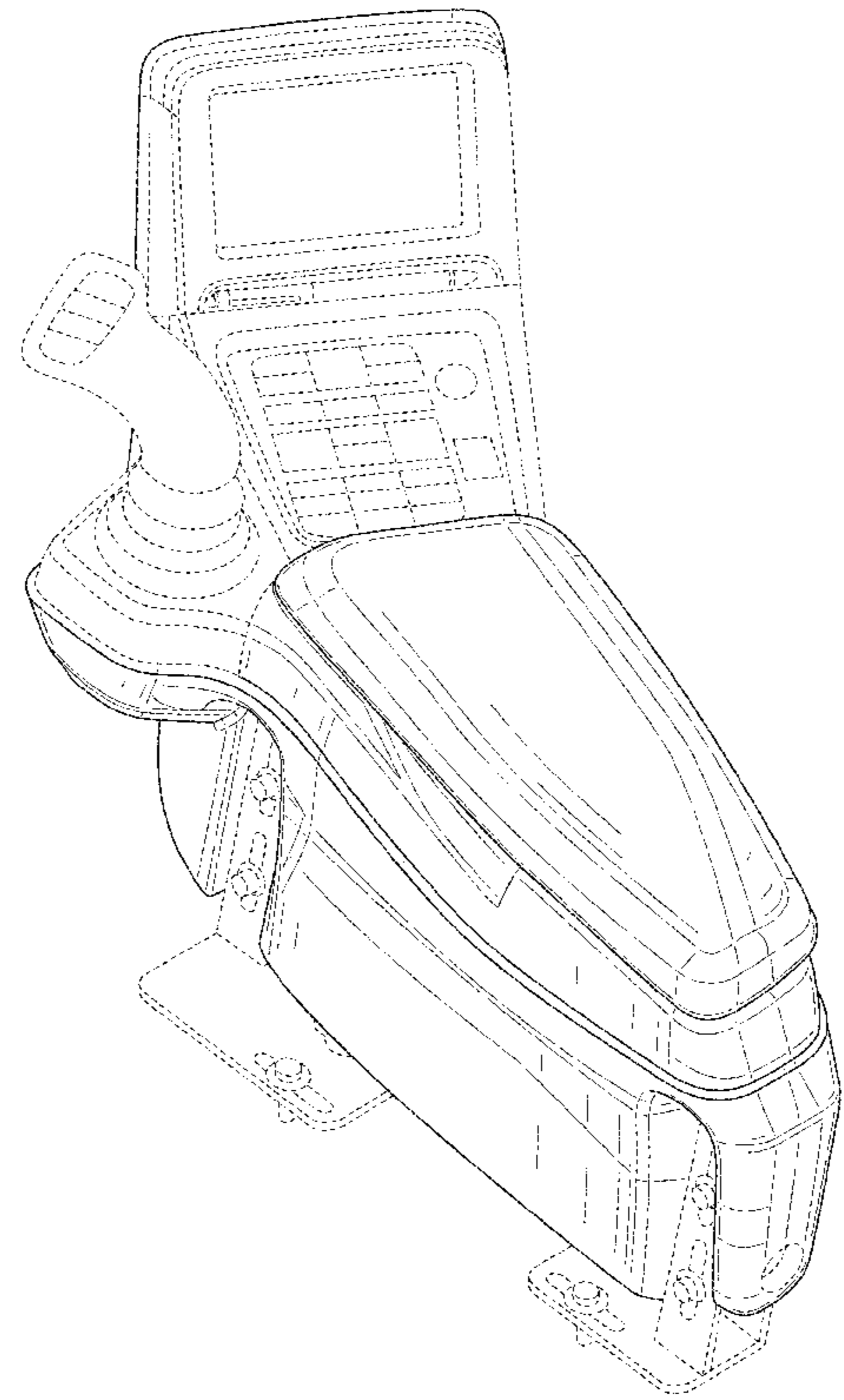
(57) **CLAIM**
The ornamental design for a vehicle console portion, as shown and described.

DESCRIPTION

FIG. 1 is a perspective view of a vehicle console portion showing our new design;
FIG. 2 is a left side elevational view showing the design for the vehicle console portion of FIG. 1;
FIG. 3 is a right side elevational view showing the design for the vehicle console portion of FIG. 1;
FIG. 4 is a front elevational view showing the design for the vehicle console portion of FIG. 1;
FIG. 5 is a top plan view showing the design for the vehicle console portion of FIG. 1; and,
FIG. 6 is a bottom plan view showing the design for the vehicle console portion of FIG. 1.
The broken lines shown in the drawings illustrate portions of the vehicle console that form no part of the claimed design.

(56) **References Cited**
U.S. PATENT DOCUMENTS
D279,329 S * 6/1985 Dzak D12/415
D279,426 S * 7/1985 Dzak D12/415
D302,356 S * 7/1989 Bell et al. D12/424
D497,394 S * 10/2004 Svanson et al. D21/329

1 Claim, 6 Drawing Sheets



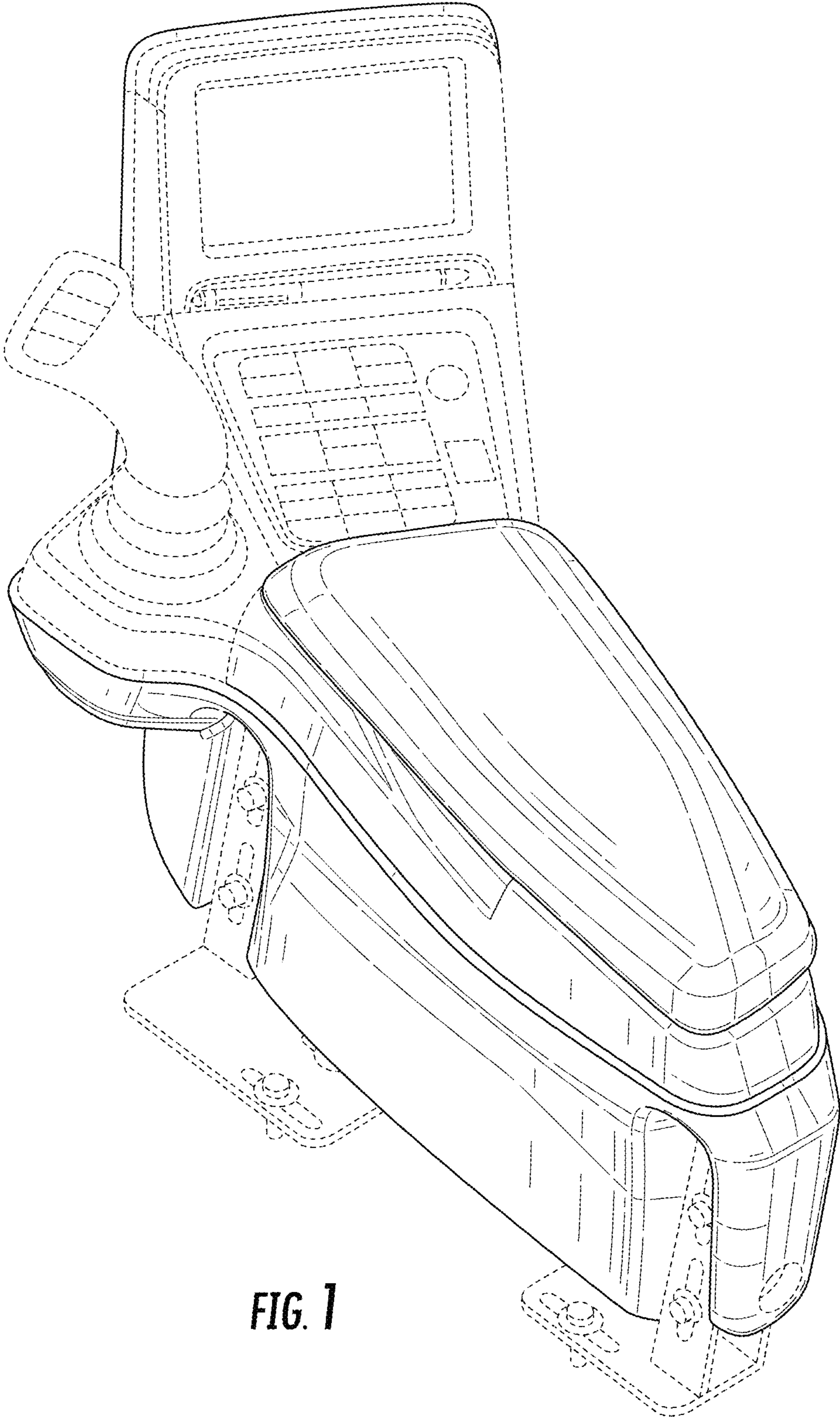


FIG. 1

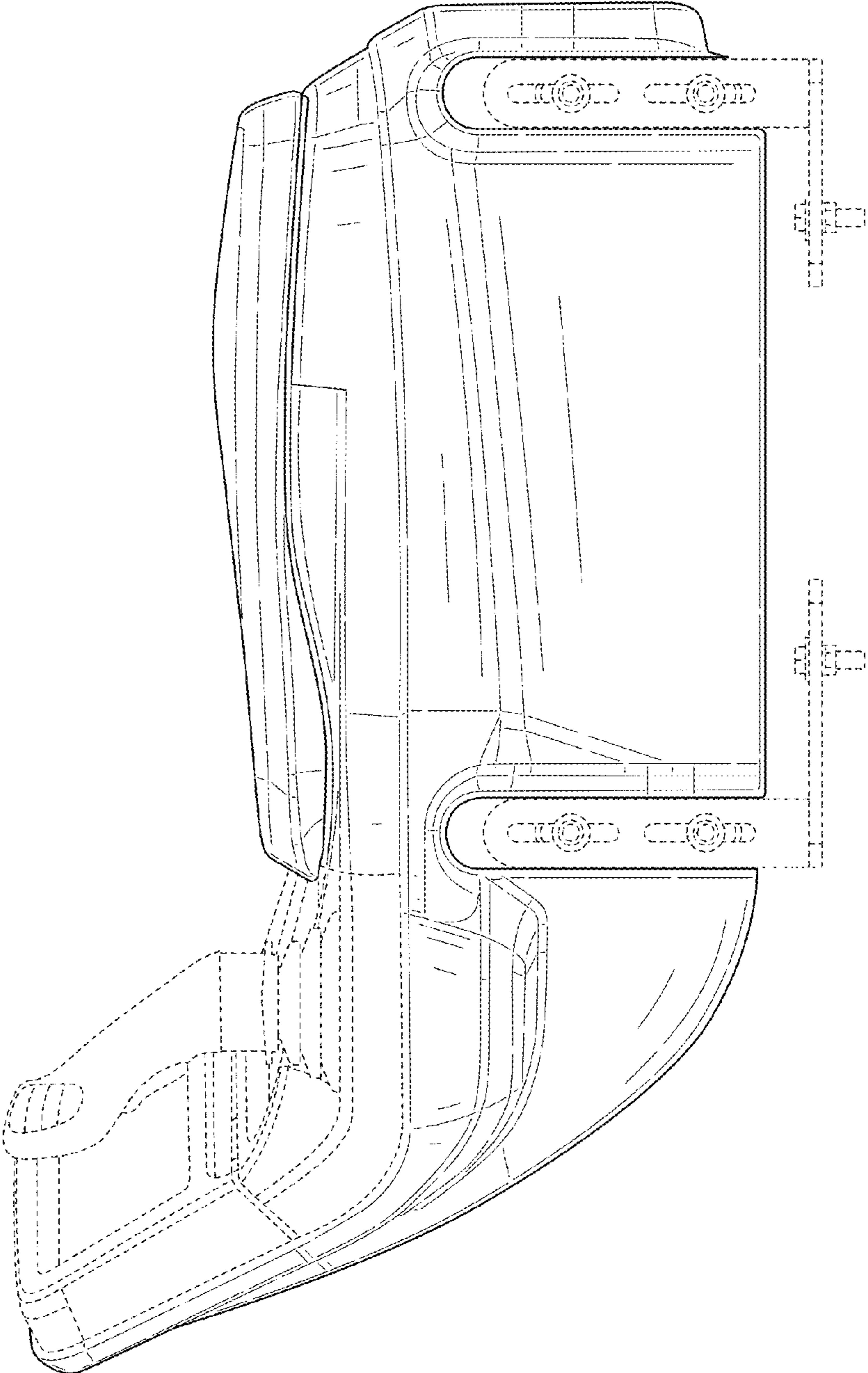


FIG. 2

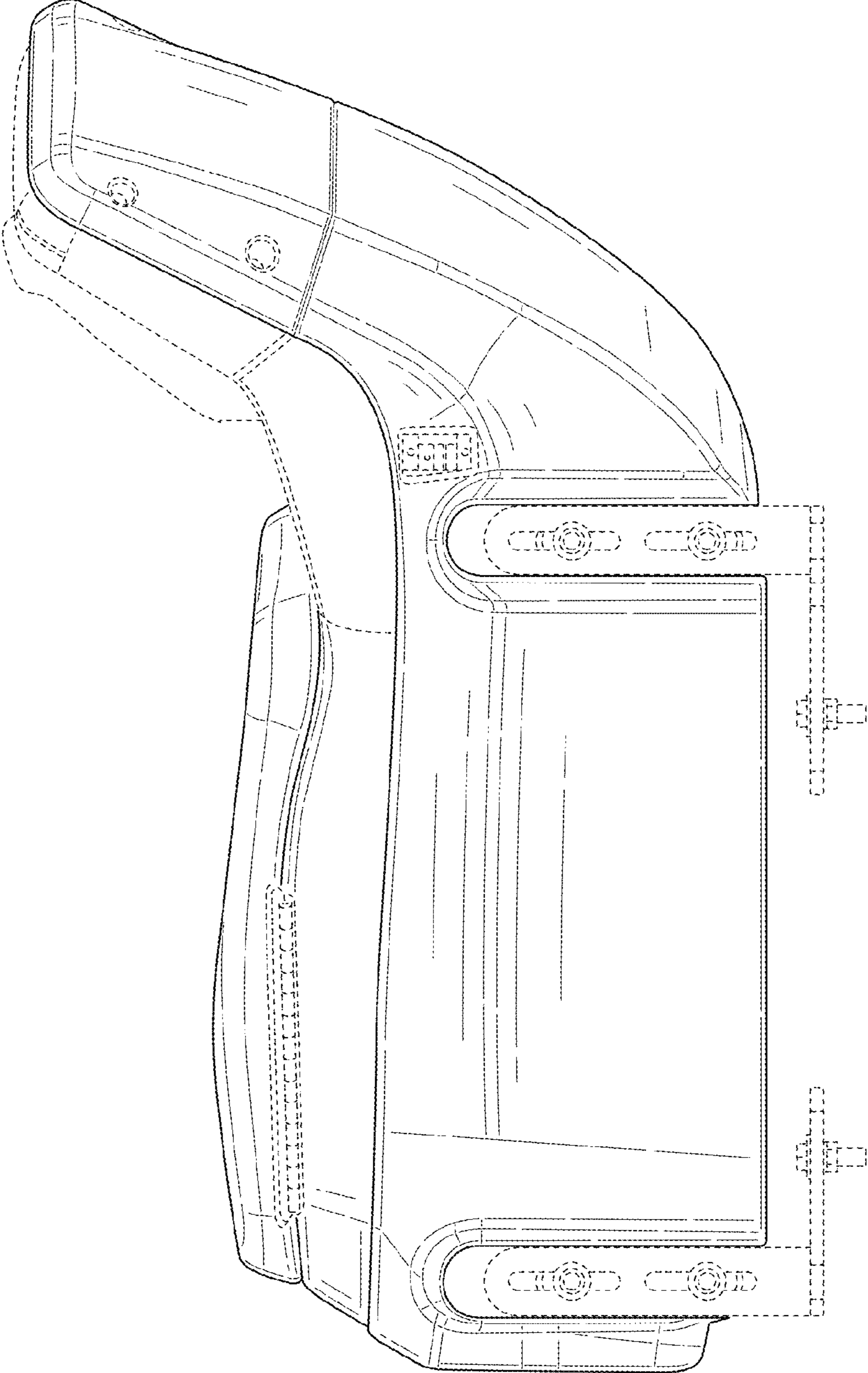


FIG. 3

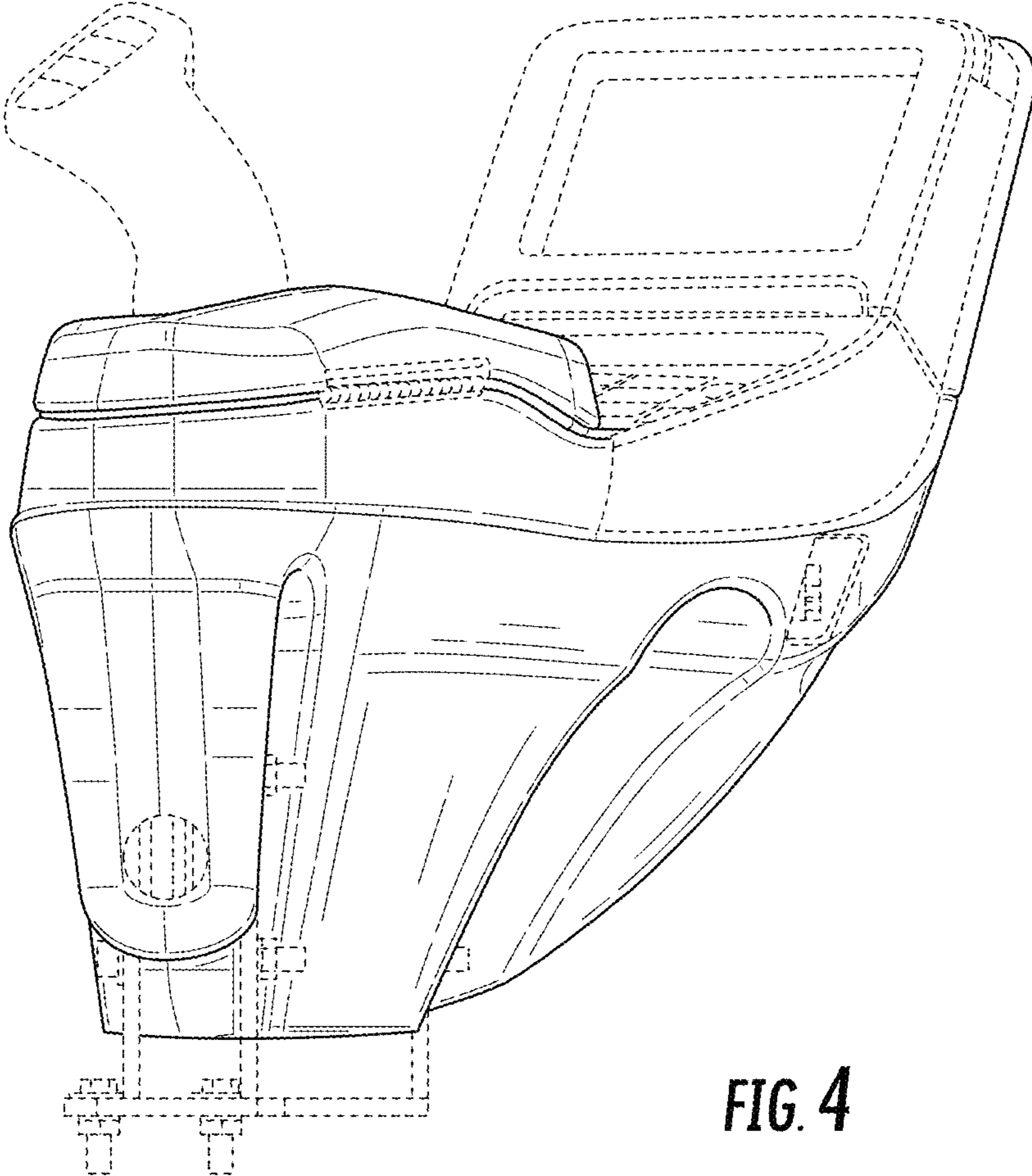


FIG. 4

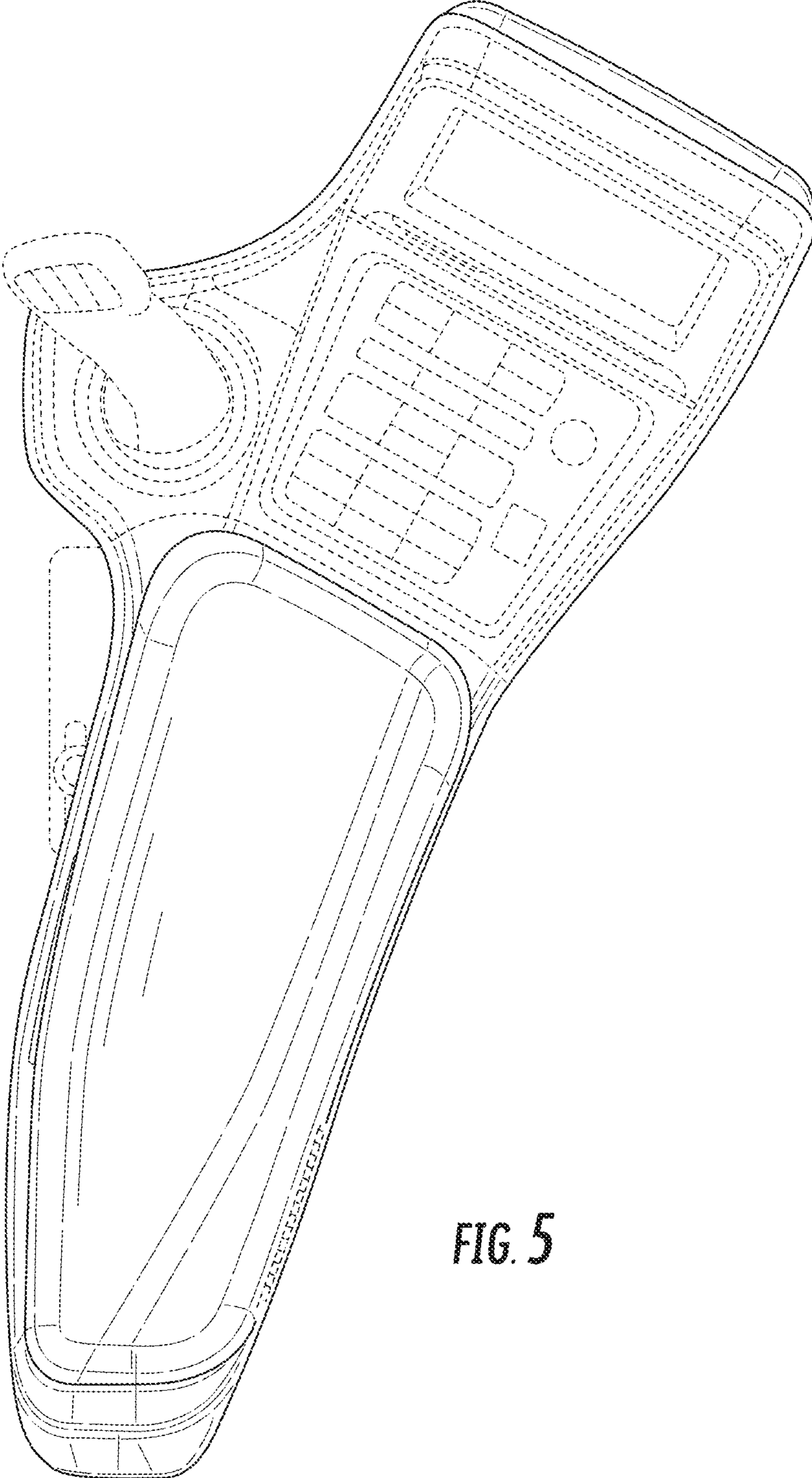


FIG. 5

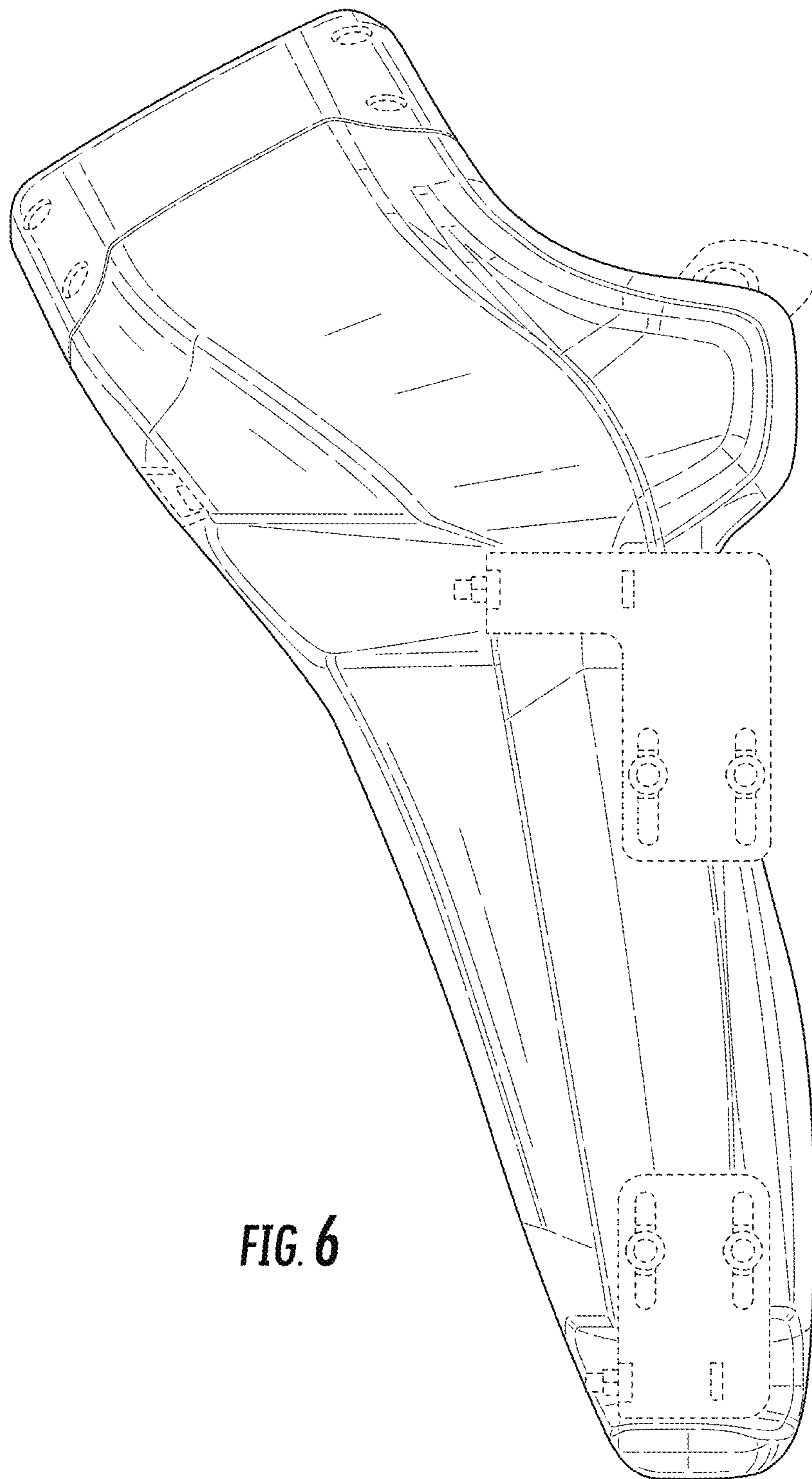


FIG. 6