



US00D725580S

(12) **United States Design Patent**
Laverack et al.

(10) **Patent No.:** **US D725,580 S**
(45) **Date of Patent:** **** Mar. 31, 2015**

(54) **TRUCK RACK BASE MEMBER**
(75) Inventors: **John R. Laverack**, Southbury, CT (US);
Edwin L. Marr, Jr., Pawtucket, RI (US);
Gregor G. Weaver, Waterbury, CT (US);
Steven R. Perry, Tiverton, RI (US)

(73) Assignee: **Thule Sweden AB**, Hillerstorp (SE)

(**) Term: **14 Years**

(21) Appl. No.: **29/428,477**

(22) Filed: **Jul. 31, 2012**

(51) **LOC (10) Cl.** **12-16**

(52) **U.S. Cl.**
USPC **D12/414**

(58) **Field of Classification Search**
USPC D12/414; D32/35, 58; D6/317-319,
D6/513-514; 206/213, 8, 9, 279, 290, 713,
206/335
See application file for complete search history.

(56) **References Cited**

U.S. PATENT DOCUMENTS

| | | | | | | |
|-----------|---|---|---------|------------------|-------|---------|
| 2,772,824 | A | * | 12/1956 | Binding | | 224/319 |
| D332,243 | S | * | 1/1993 | Collins | | D12/413 |
| 5,456,397 | A | * | 10/1995 | Pedrini | | 224/324 |
| D415,096 | S | * | 10/1999 | Englander et al. | | D12/406 |
| D555,573 | S | * | 11/2007 | Kemery et al. | | D12/412 |
| D566,034 | S | * | 4/2008 | Davis et al. | | D12/408 |

| | | | | | | |
|----------|---|---|---------|-----------------|-------|---------|
| D574,096 | S | * | 7/2008 | Klinkman et al. | | D26/28 |
| D642,112 | S | * | 7/2011 | Farber | | D12/414 |
| D692,113 | S | * | 10/2013 | Eilmus | | D23/308 |
| D694,170 | S | * | 11/2013 | Eriksson | | D12/414 |
| D694,700 | S | * | 12/2013 | Sankey et al. | | D12/414 |
| D695,206 | S | * | 12/2013 | Eriksson | | D12/414 |

* cited by examiner

Primary Examiner — Katrina A Betton

(74) *Attorney, Agent, or Firm* — Novak Druce Connolly
Bove + Quigg LLP

(57) **CLAIM**

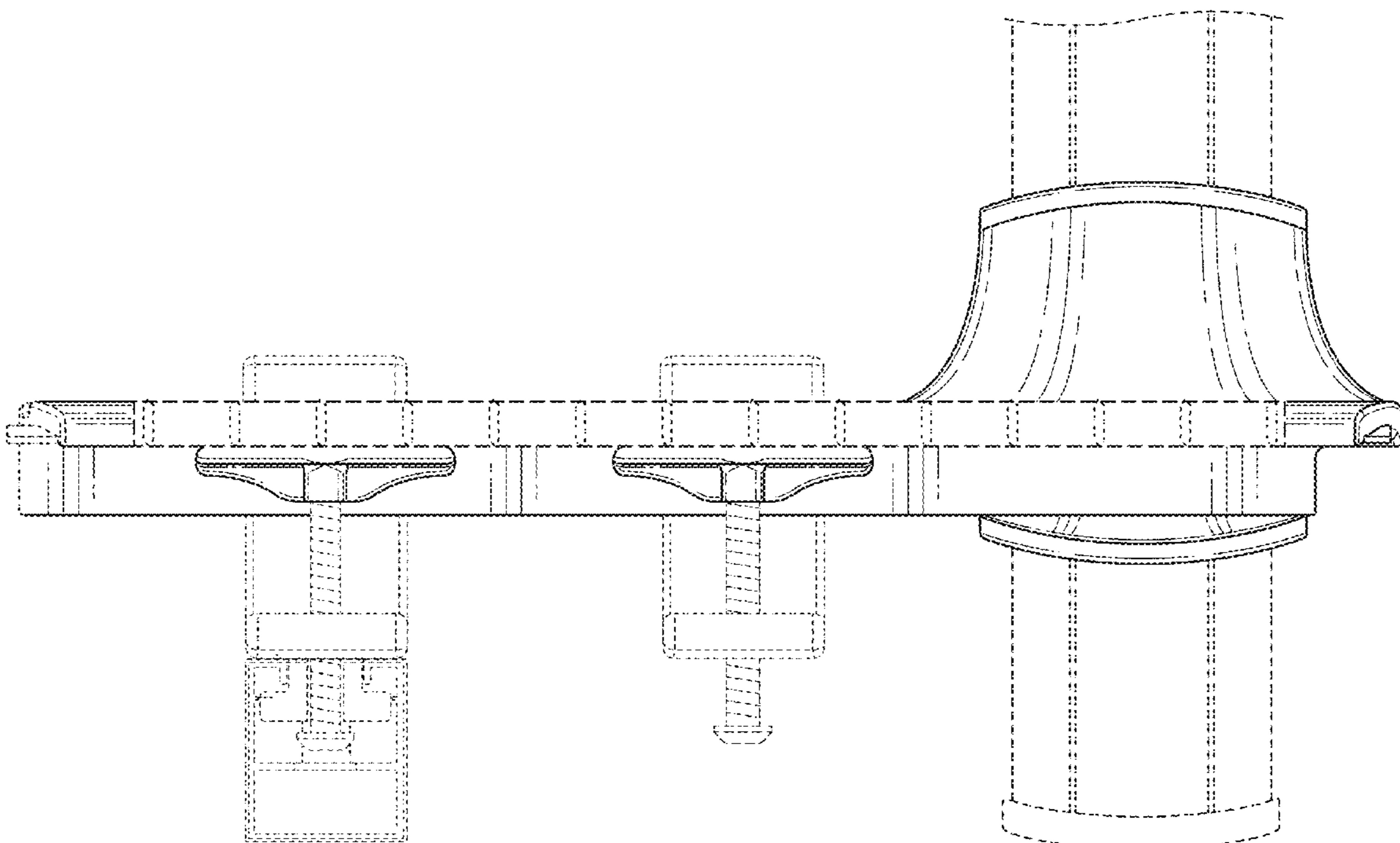
We claim the ornamental design for a truck rack base member, as shown and described.

DESCRIPTION

FIG. 1 is a perspective view of a truck rack base member;
FIG. 2 is a back elevational view thereof;
FIG. 3 is a front elevational view thereof;
FIG. 4 is a left side elevational view thereof;
FIG. 5 is a right side elevational view thereof;
FIG. 6 is a top plan view thereof; and,
FIG. 7 is a bottom plan view thereof.

The broken lines in the drawings are used to show environment and unclaimed features of the truck rack base member. The broken lines form no part of the claimed design.

1 Claim, 6 Drawing Sheets



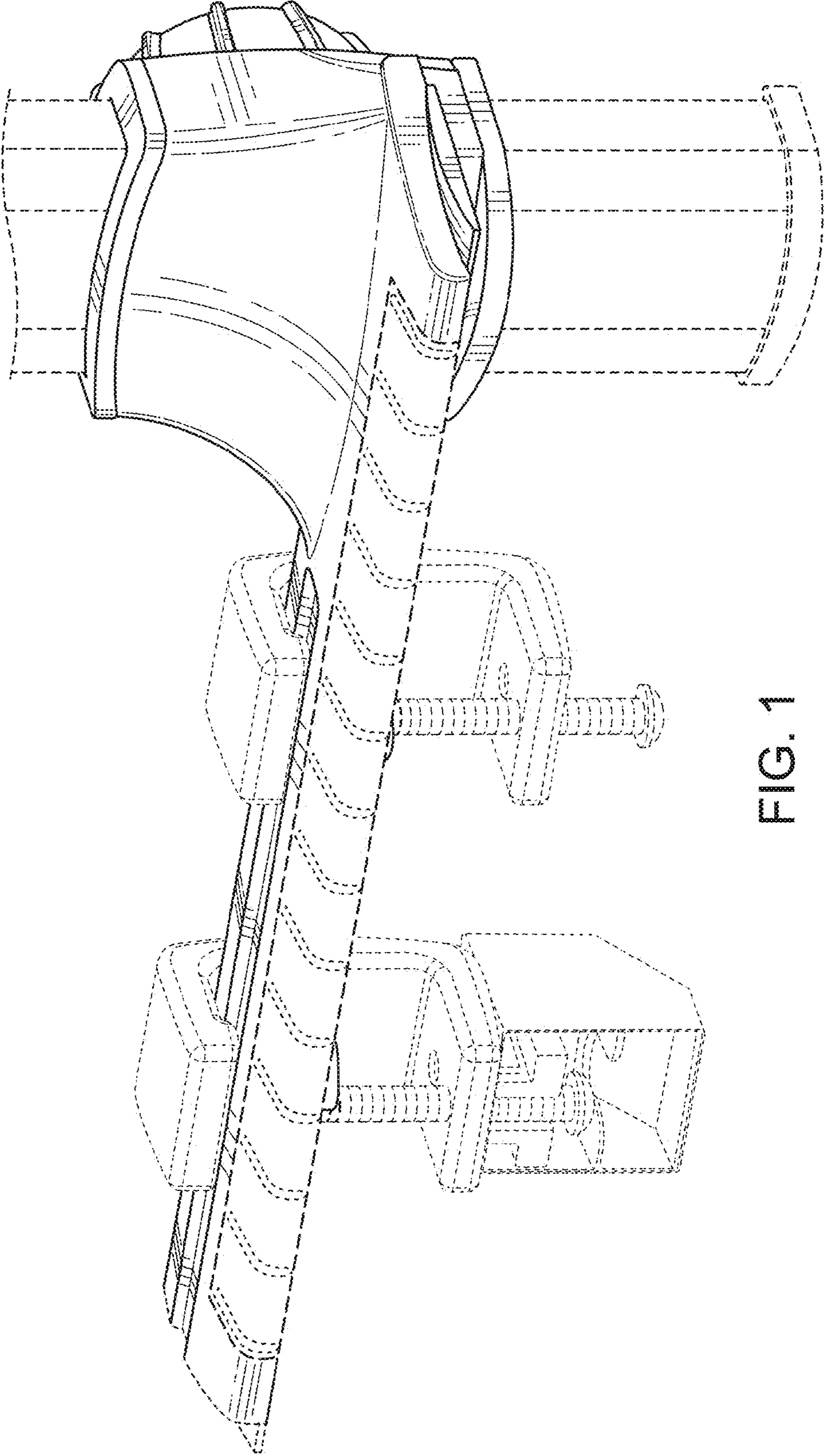


FIG. 1

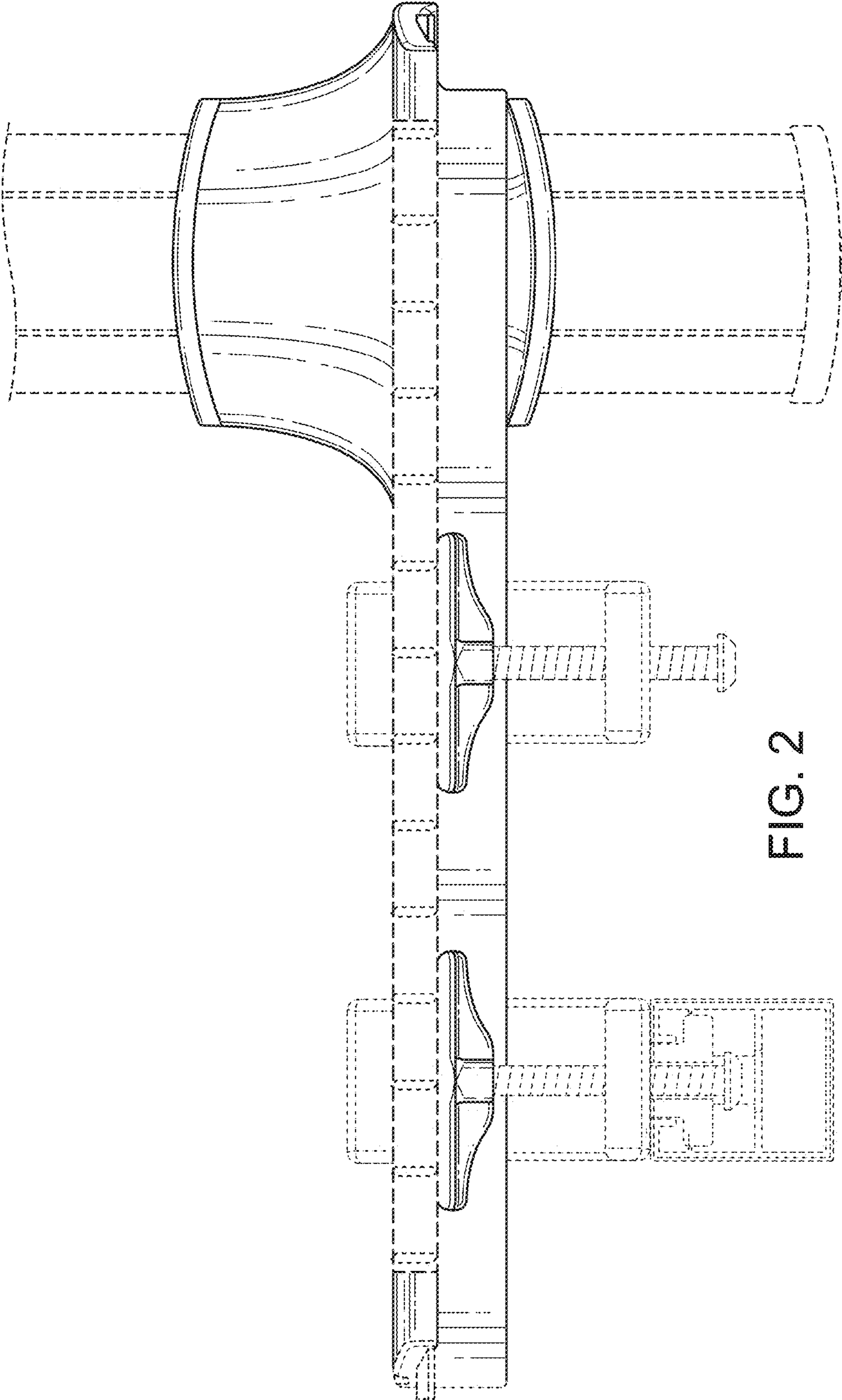


FIG. 2

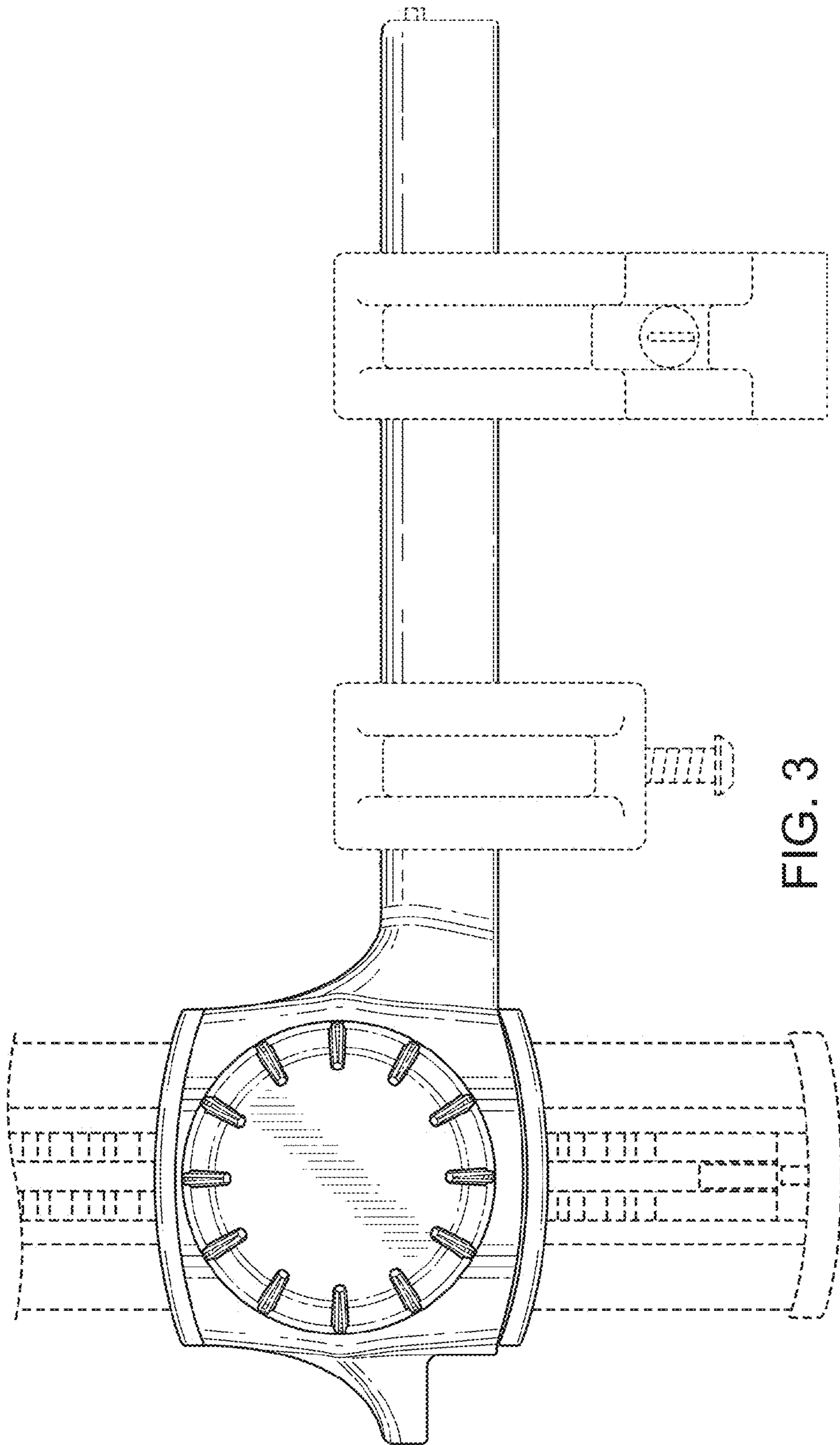


FIG. 3

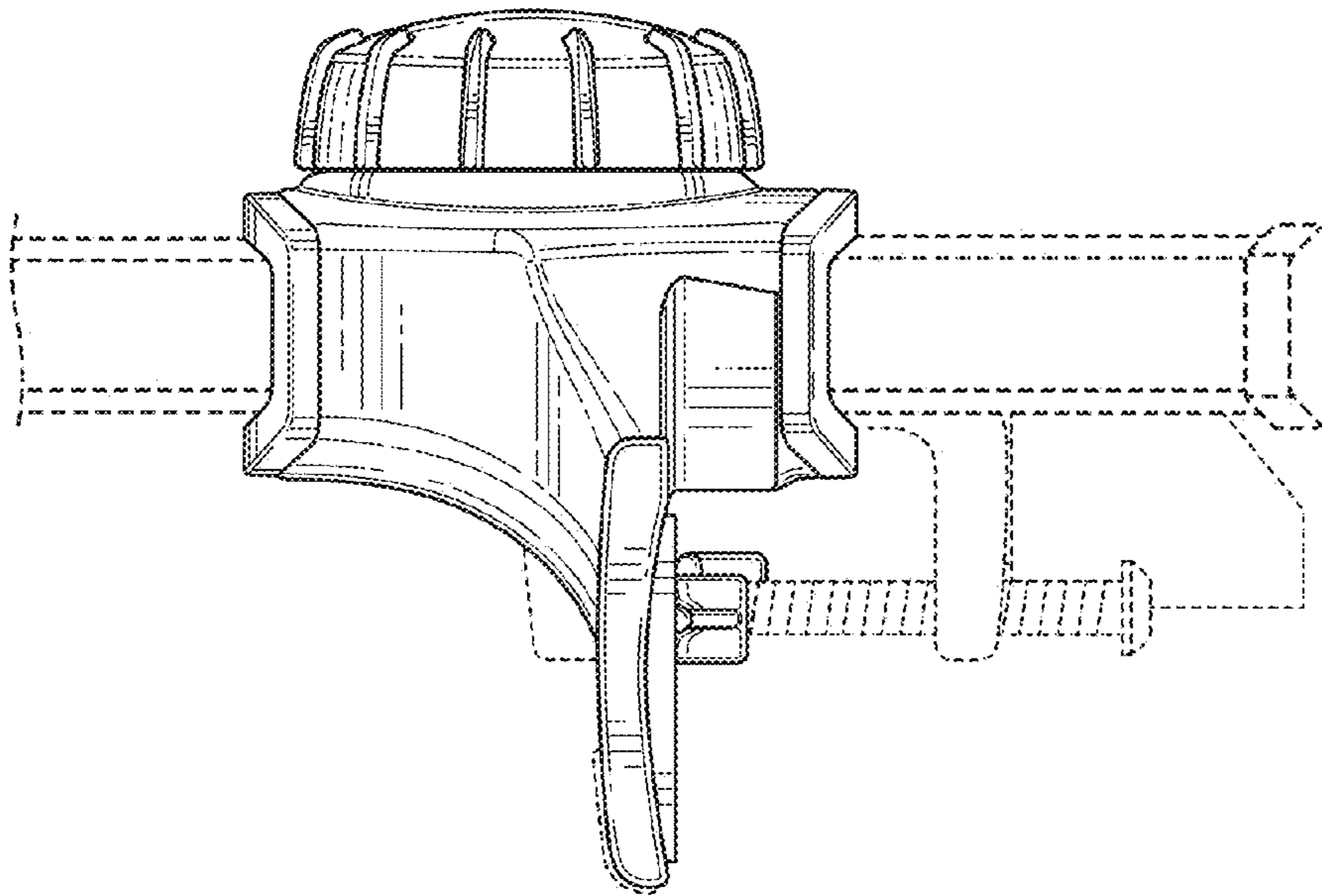


FIG. 5

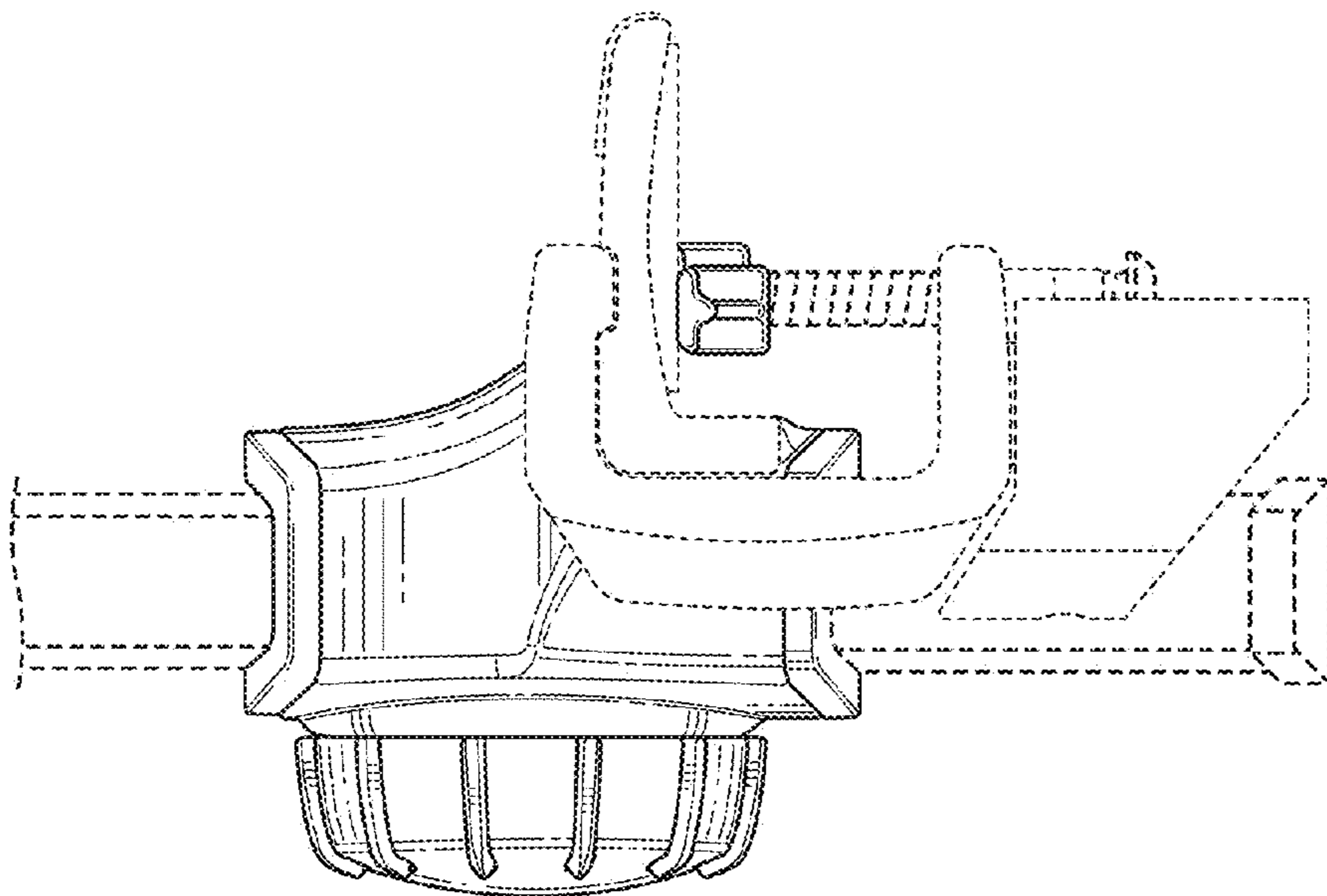


FIG. 4

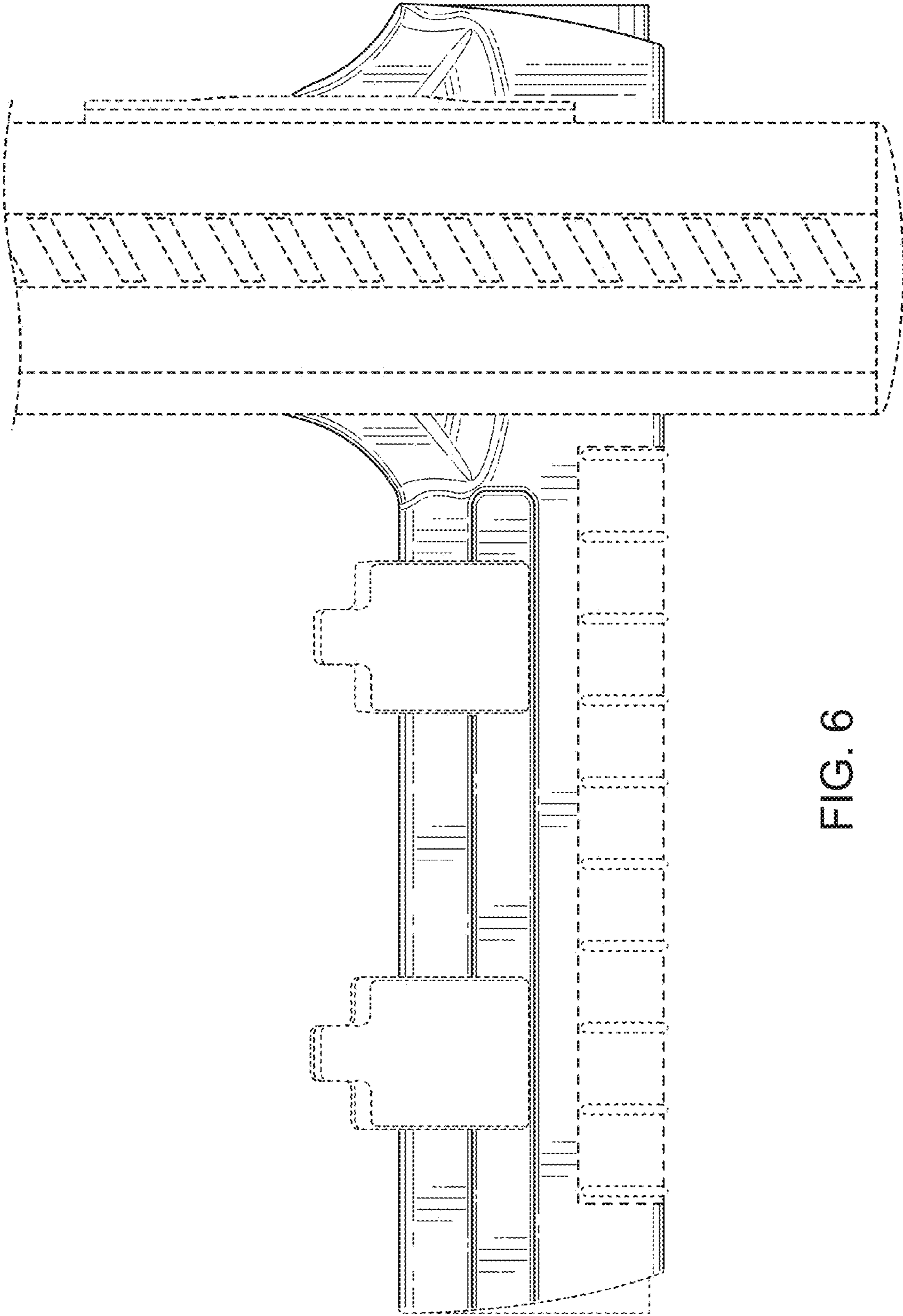


FIG. 6

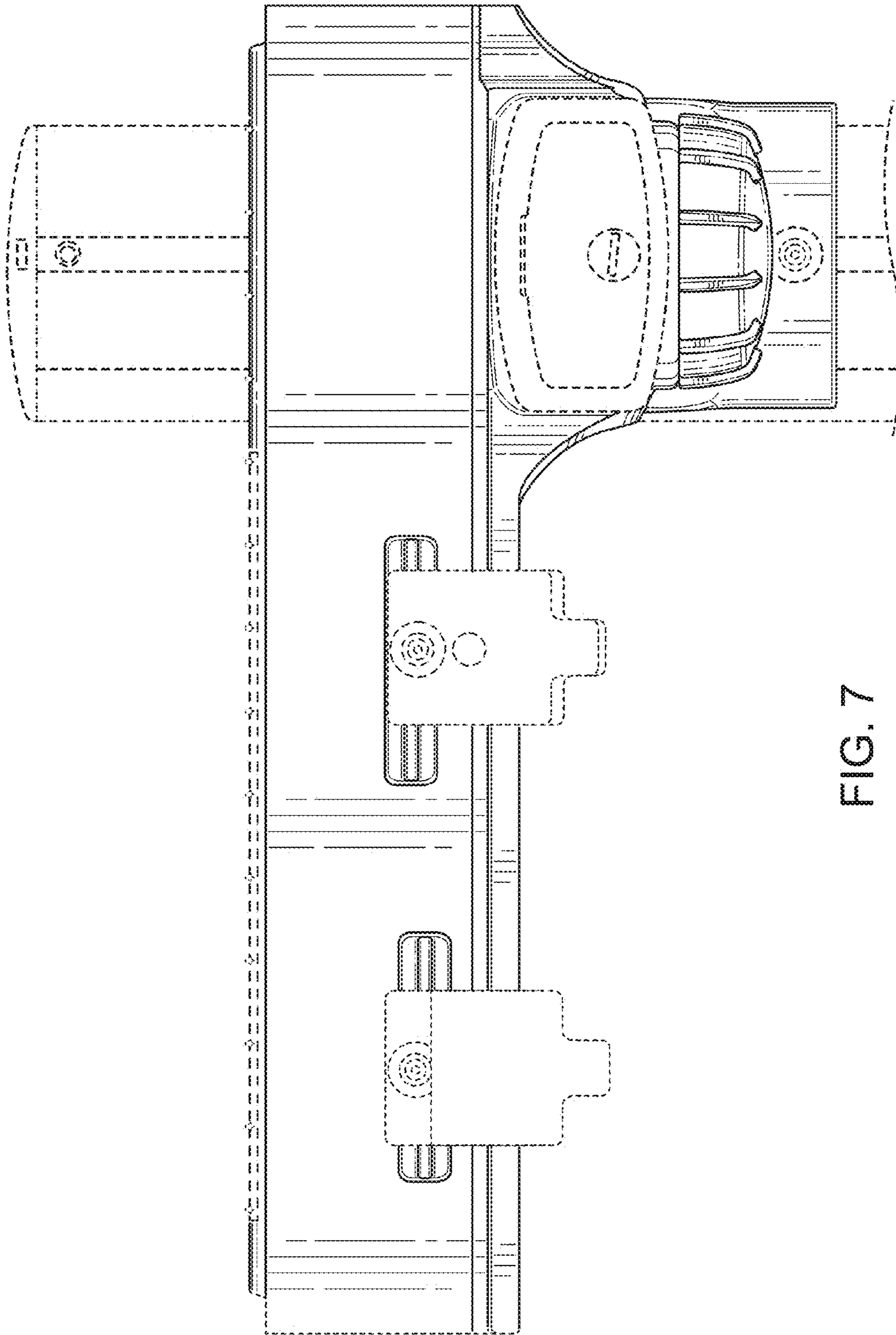


FIG. 7