



US00D725578S

(12) **United States Design Patent**
Salzberger et al.

(10) **Patent No.:** **US D725,578 S**
(45) **Date of Patent:** **** Mar. 31, 2015**

(54) **PASSENGER AIRCRAFT STORAGE MODULE**

(75) Inventors: **Claude Salzberger**, New York, NY
(US); **Diego Kolsky**, New York, NY
(US); **Robert McDougle**, New York, NY
(US)

(73) Assignee: **LAN Airlines S.A.** (CL)

(**) Term: **14 Years**

(21) Appl. No.: **29/427,216**

(22) Filed: **Jul. 16, 2012**

(51) **LOC (10) Cl.** **12-07**

(52) **U.S. Cl.**
USPC **D12/345**

(58) **Field of Classification Search**
USPC D12/345, 400, 415, 416, 419, 421, 423,
D12/424, 425, 426; D6/356, 433, 553, 474;
244/117 R, 118.5, 118.6, 119;
211/88.01; 297/188.01, 188.08;
312/245

See application file for complete search history.

(56) **References Cited**

U.S. PATENT DOCUMENTS

D150,378 S *	7/1948	Spence	D6/474
D325,313 S *	4/1992	Evenson	D6/553
D337,901 S *	8/1993	van den Nieuwelaar	D6/433
D382,534 S *	8/1997	Green	D12/415
D439,425 S *	3/2001	Park et al.	D6/356
6,692,091 B2 *	2/2004	Mulaw	312/245
D493,294 S *	7/2004	Newson	D6/356
D510,816 S *	10/2005	Lee	D6/356

7,004,334 B2 *	2/2006	Walsh et al.	211/88.01
D591,520 S *	5/2009	Orson et al.	D6/356
D592,412 S *	5/2009	Suge et al.	D6/356
D611,260 S *	3/2010	Plant	D6/356
D621,330 S *	8/2010	Bock	D12/345
D623,577 S *	9/2010	Orson et al.	D12/345
D641,982 S *	7/2011	Darbyshire	D6/356
8,011,723 B2 *	9/2011	Park et al.	297/118
D652,644 S *	1/2012	Porter et al.	D6/356
D686,423 S *	7/2013	Salzberger et al.	D6/356
2009/0084897 A1 *	4/2009	Ferry et al.	244/118.6
2010/0252680 A1 *	10/2010	Porter	244/118.6
2011/0253838 A1 *	10/2011	Bettell	244/118.6
2012/0292957 A1 *	11/2012	Vergnaud et al.	297/188.08

* cited by examiner

Primary Examiner — Martie K Holtje

(74) *Attorney, Agent, or Firm* — Finnegan, Henderson, Farabow, Garrett & Dunner, LLP

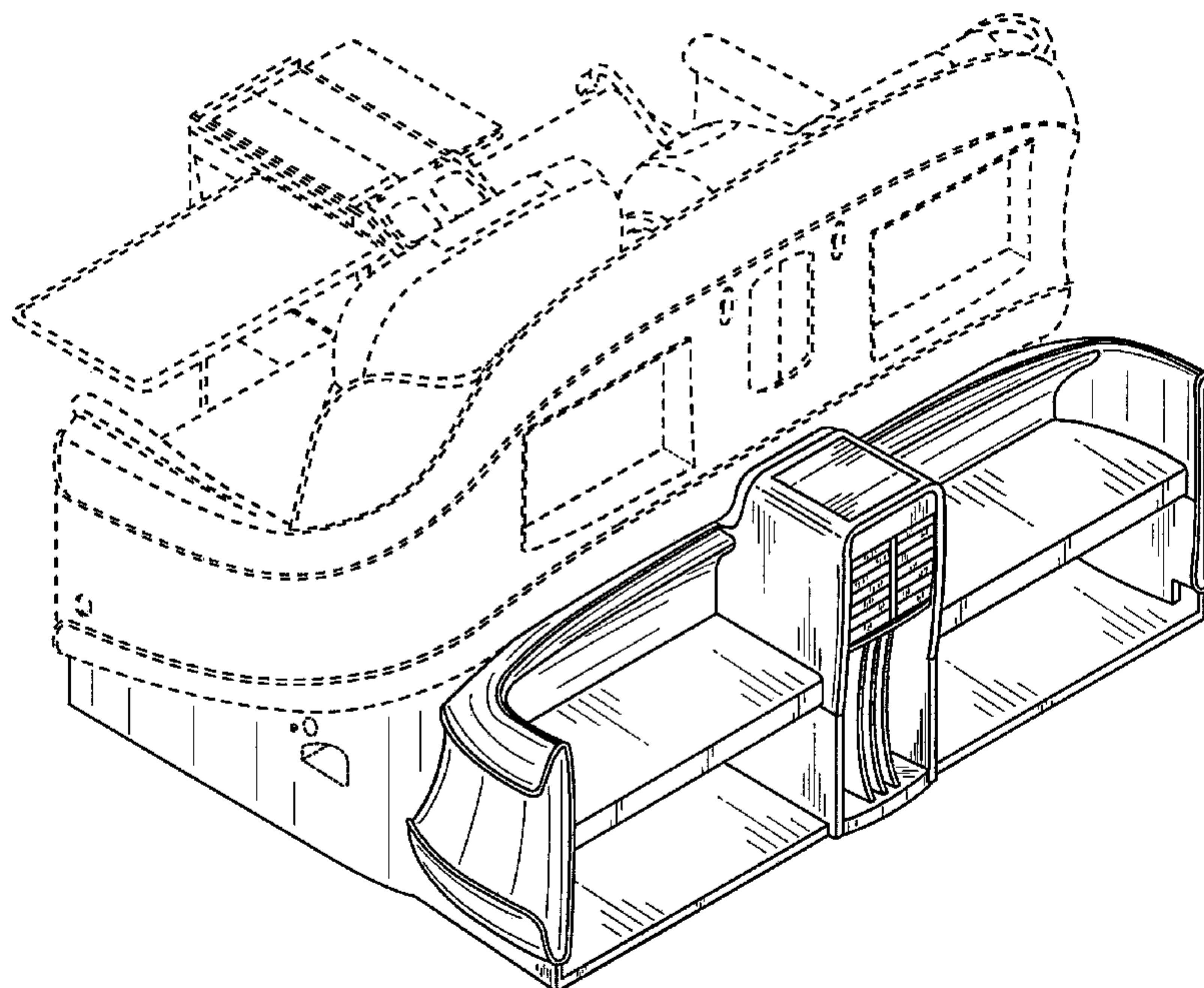
(57) **CLAIM**

The ornamental design for a passenger aircraft storage module, as shown and described.

DESCRIPTION

FIG. 1 is a front perspective view of a passenger aircraft storage module showing our new design; FIG. 2 is a left side elevational view thereof; FIG. 3 is a right side elevational view thereof; FIG. 4 is a front view thereof; and, FIG. 5 is a top plan view thereof. The structural elements depicted by broken lines have been provided to illustrate environmental features that form no part of the claimed design.

1 Claim, 5 Drawing Sheets



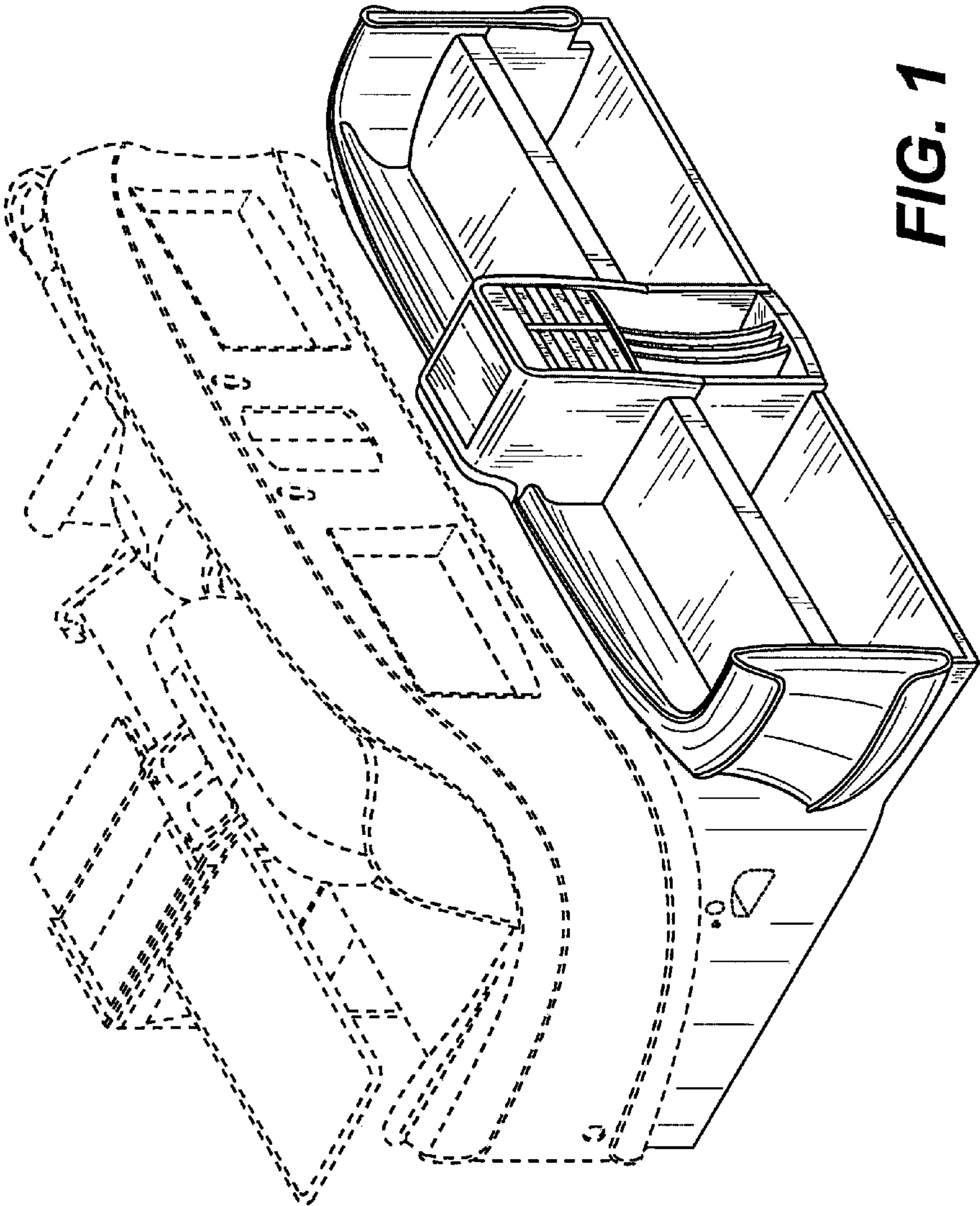


FIG. 1

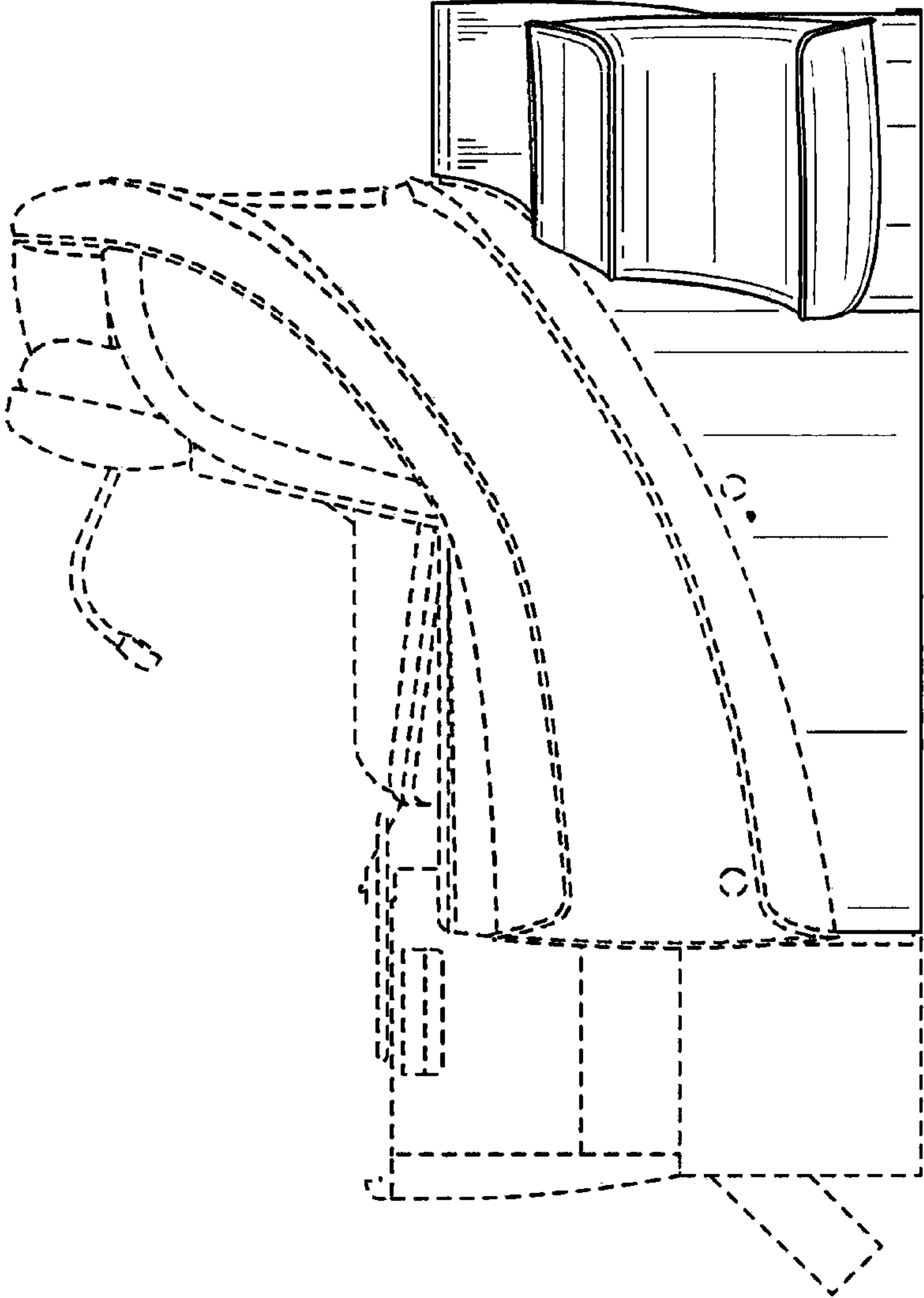


FIG. 2

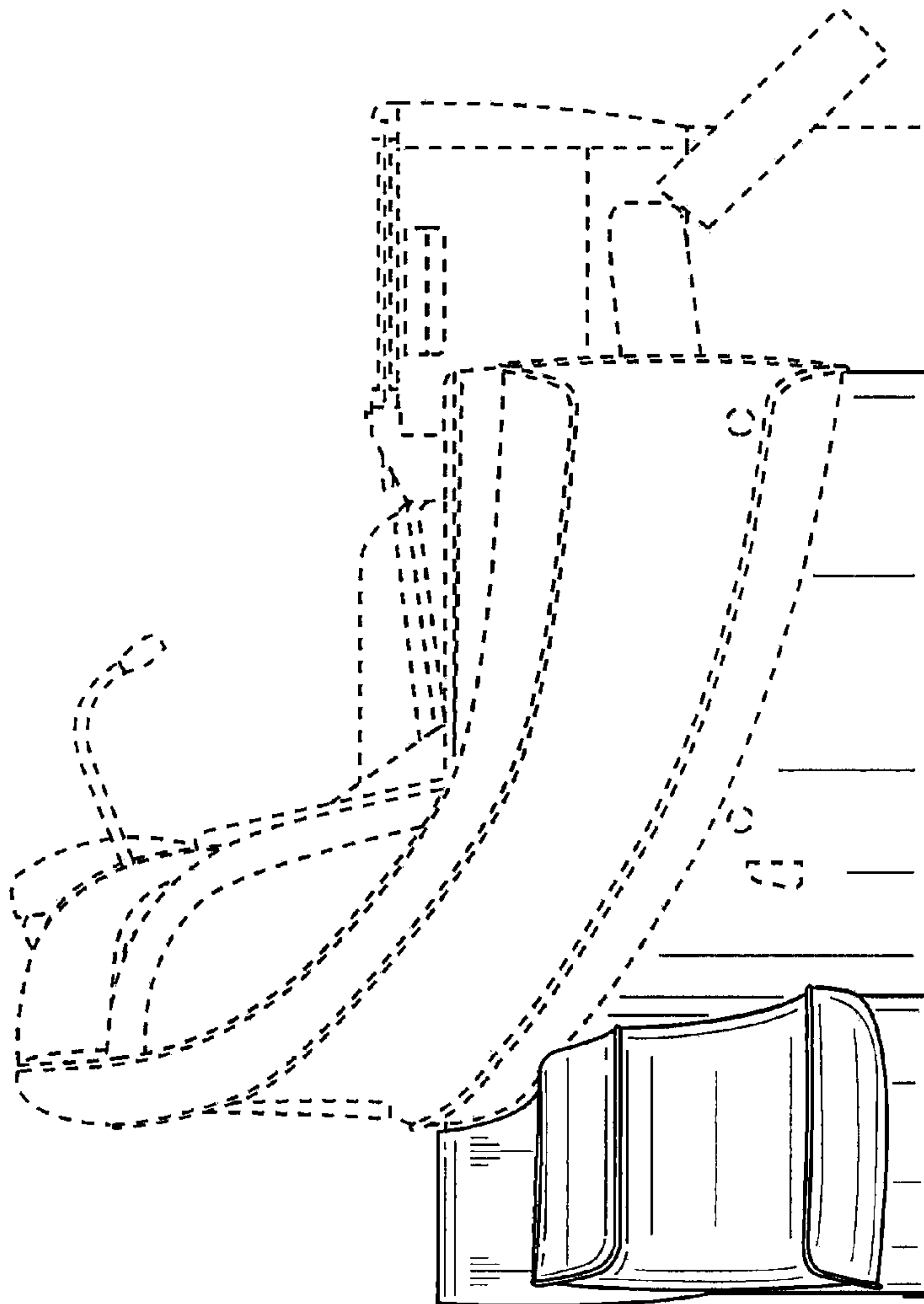


FIG. 3

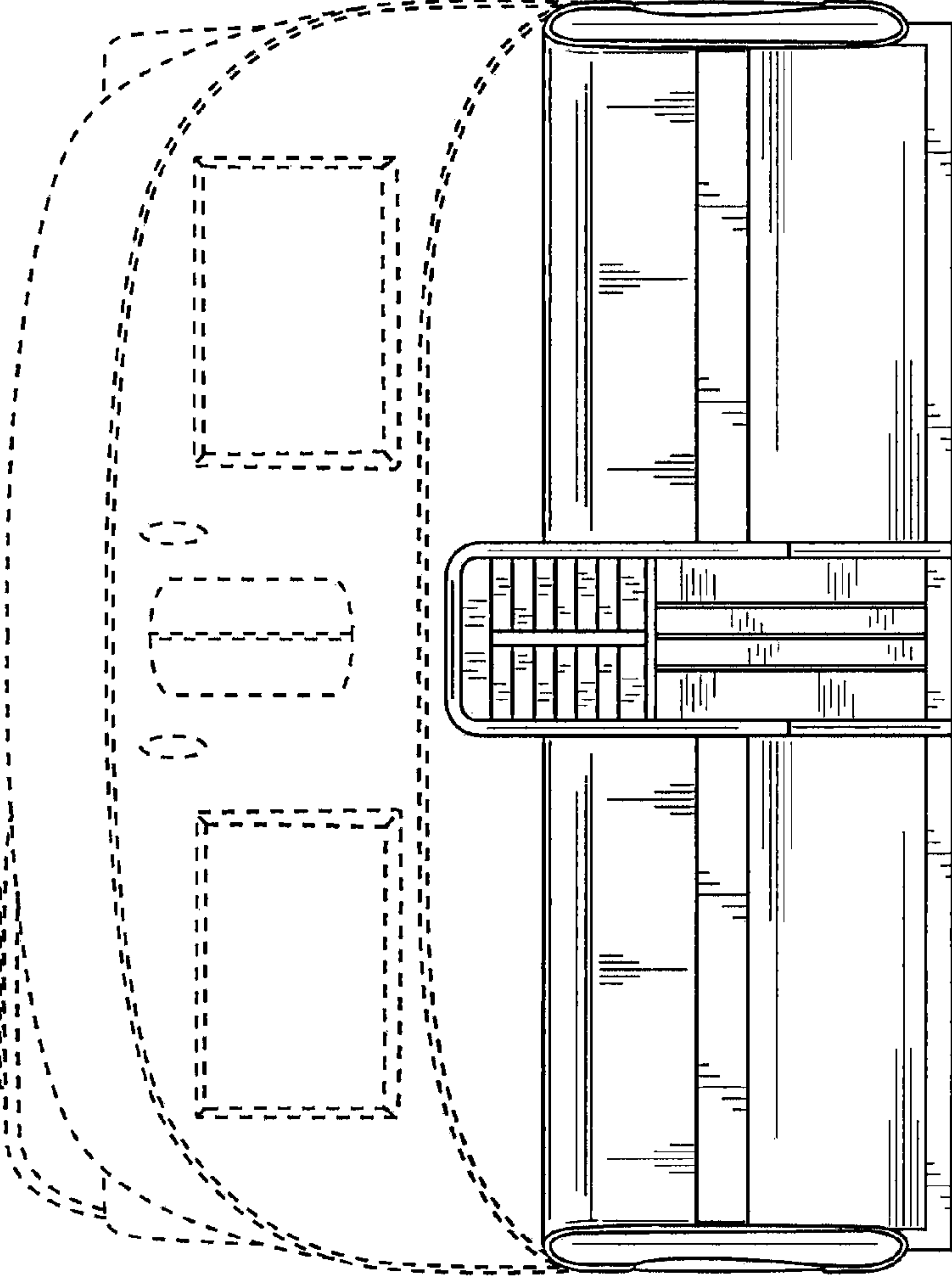


FIG. 4

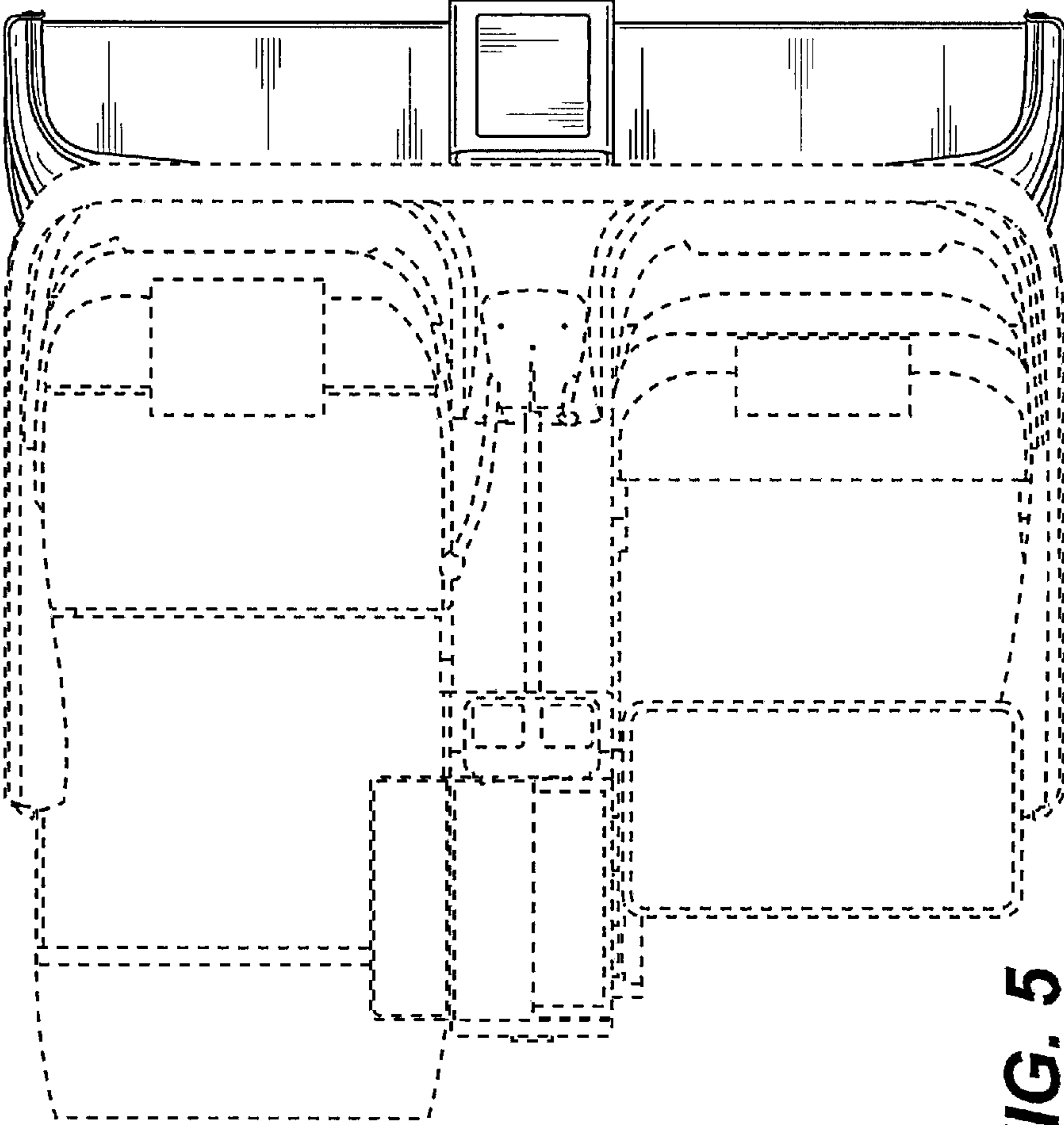


FIG. 5

UNITED STATES PATENT AND TRADEMARK OFFICE
CERTIFICATE OF CORRECTION

PATENT NO. : D725,578 S
APPLICATION NO. : 29/427216
DATED : March 31, 2015
INVENTOR(S) : Salzberger et al.

Page 1 of 7

It is certified that error appears in the above-identified patent and that said Letters Patent is hereby corrected as shown below:

Please delete Patent D725,578 in its entirety and insert Patent D725,578 in its entirety as shown on the attached pages

Signed and Sealed this
Fourth Day of August, 2015



Michelle K. Lee
Director of the United States Patent and Trademark Office

(12) **United States Design Patent**
Salzberger et al.

(10) **Patent No.:** **US D725,578 S**
(45) **Date of Patent:** **** Mar. 31, 2015**

(54) **PASSENGER AIRCRAFT STORAGE MODULE**

(75) Inventors: **Claude Salzberger**, New York, NY
(US); **Diego Kolsky**, New York, NY
(US); **Robert McDougle**, New York, NY
(US)

(73) Assignee: **LAN Airlines S.A.** (CL)

(**) Term: **14 Years**

(21) Appl. No.: **29/427,216**

(22) Filed: **Jul. 16, 2012**

(51) **LOC (10) Cl.** **12-07**

(52) **U.S. Cl.**
USPC **D12/345**

(58) **Field of Classification Search**
USPC **D12/345, 400, 415, 416, 419, 421, 423,**
D12/424, 425, 426; D6/356, 433, 553, 474;
244/117 R, 118.5, 118.6, 119;
211/88.01; 297/188.01, 188.08;
312/245

See application file for complete search history.

(56) **References Cited**

U.S. PATENT DOCUMENTS

D150,378 S *	7/1948	Spence	D6/474
D325,313 S *	4/1992	Evenson	D6/553
D337,901 S *	8/1993	van den Nieuwelaar	D6/433
D382,534 S *	8/1997	Green	D12/415
D439,425 S *	3/2001	Park et al.	D6/356
6,692,091 B2 *	2/2004	Mulaw	312/245
D493,294 S *	7/2004	Newson	D6/356
D510,816 S *	10/2005	Lee	D6/356

7,004,334 B2 *	2/2006	Walsh et al.	211/88.01
D591,520 S *	5/2009	Orson et al.	D6/356
D592,412 S *	5/2009	Suge et al.	D6/356
D611,260 S *	3/2010	Plant	D6/356
D621,330 S *	8/2010	Bock	D12/345
D623,577 S *	9/2010	Orson et al.	D12/345
D641,982 S *	7/2011	Darbyshire	D6/356
8,011,723 B2 *	9/2011	Park et al.	297/118
D652,644 S *	1/2012	Porter et al.	D6/356
D686,423 S *	7/2013	Salzberger et al.	D6/356
2009/0084897 A1 *	4/2009	Ferry et al.	244/118.6
2010/0252680 A1 *	10/2010	Porter	244/118.6
2011/0253838 A1 *	10/2011	Bettelt	244/118.6
2012/0292957 A1 *	11/2012	Vergnaud et al.	297/188.08

* cited by examiner

Primary Examiner — Martie K Holtje

(74) *Attorney, Agent, or Firm* — Finnegan, Henderson, Farabow, Garrett & Dunner, LLP

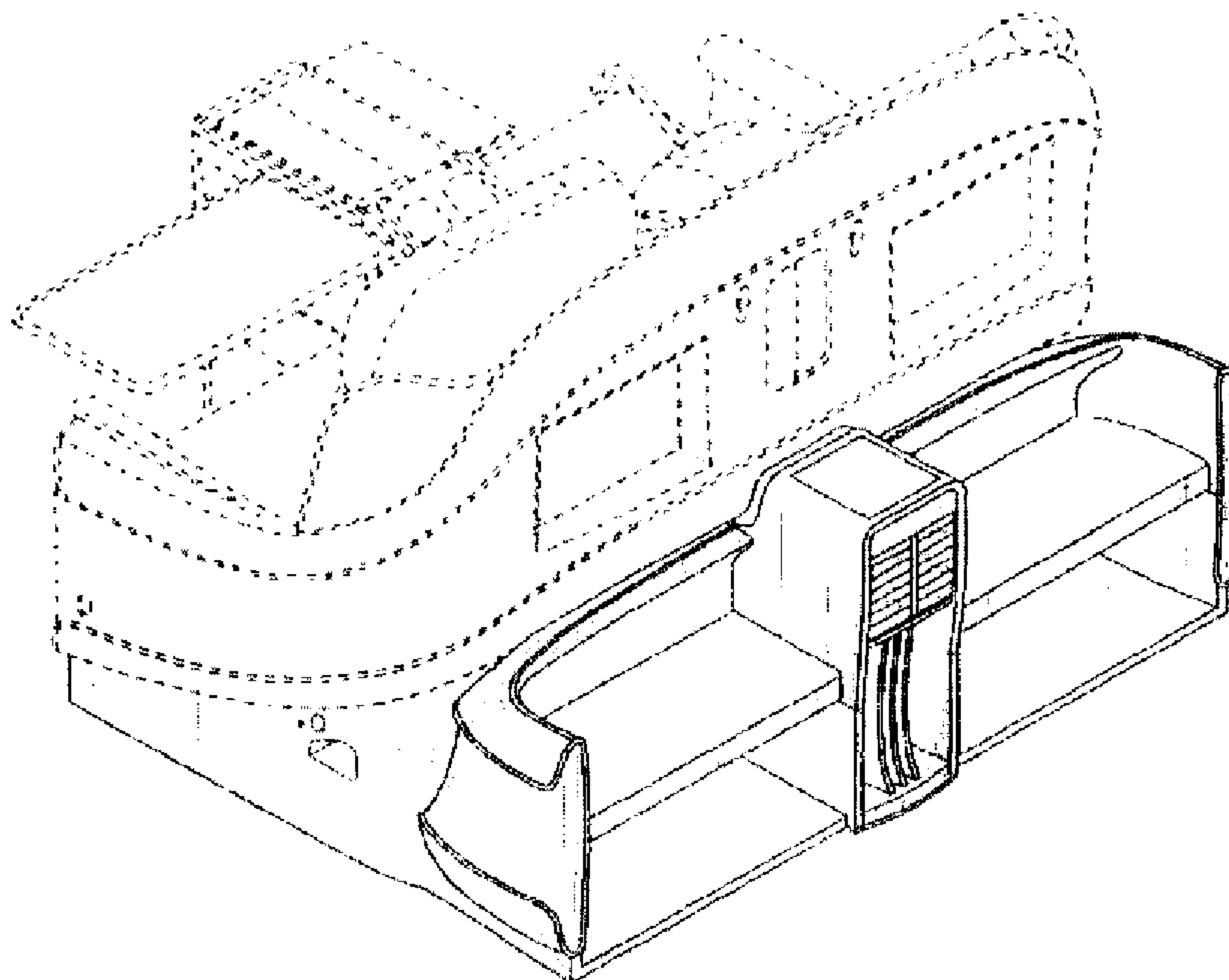
(57) **CLAIM**

The ornamental design for a passenger aircraft storage module, as shown and described.

DESCRIPTION

FIG. 1 is a front perspective view of a passenger aircraft storage module showing our new design; FIG. 2 is a left side elevational view thereof; FIG. 3 is a right side elevational view thereof; FIG. 4 is a front view thereof; and, FIG. 5 is a top plan view thereof. The structural elements depicted by broken lines have been provided to illustrate environmental features that form no part of the claimed design.

1 Claim, 5 Drawing Sheets



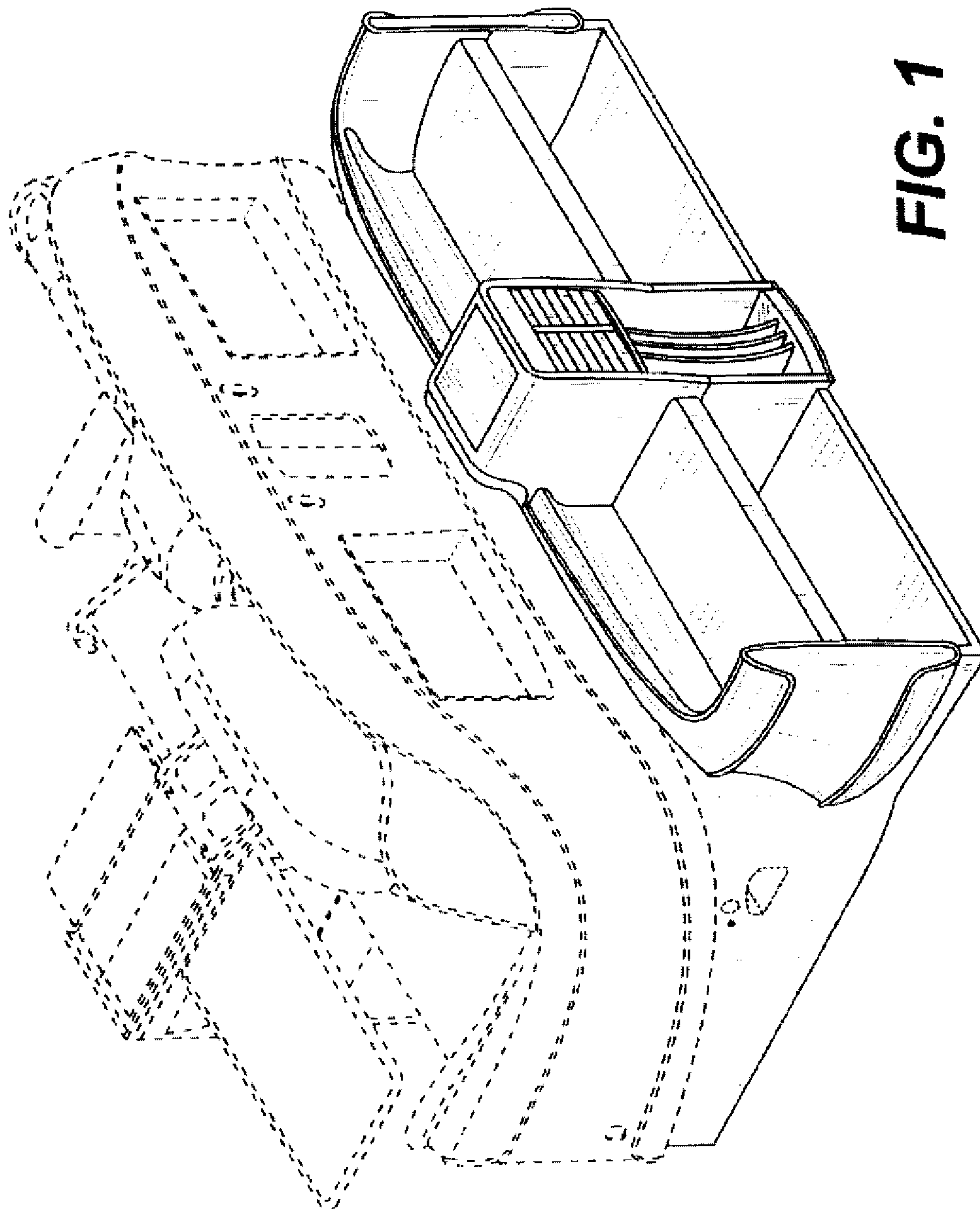


FIG. 1

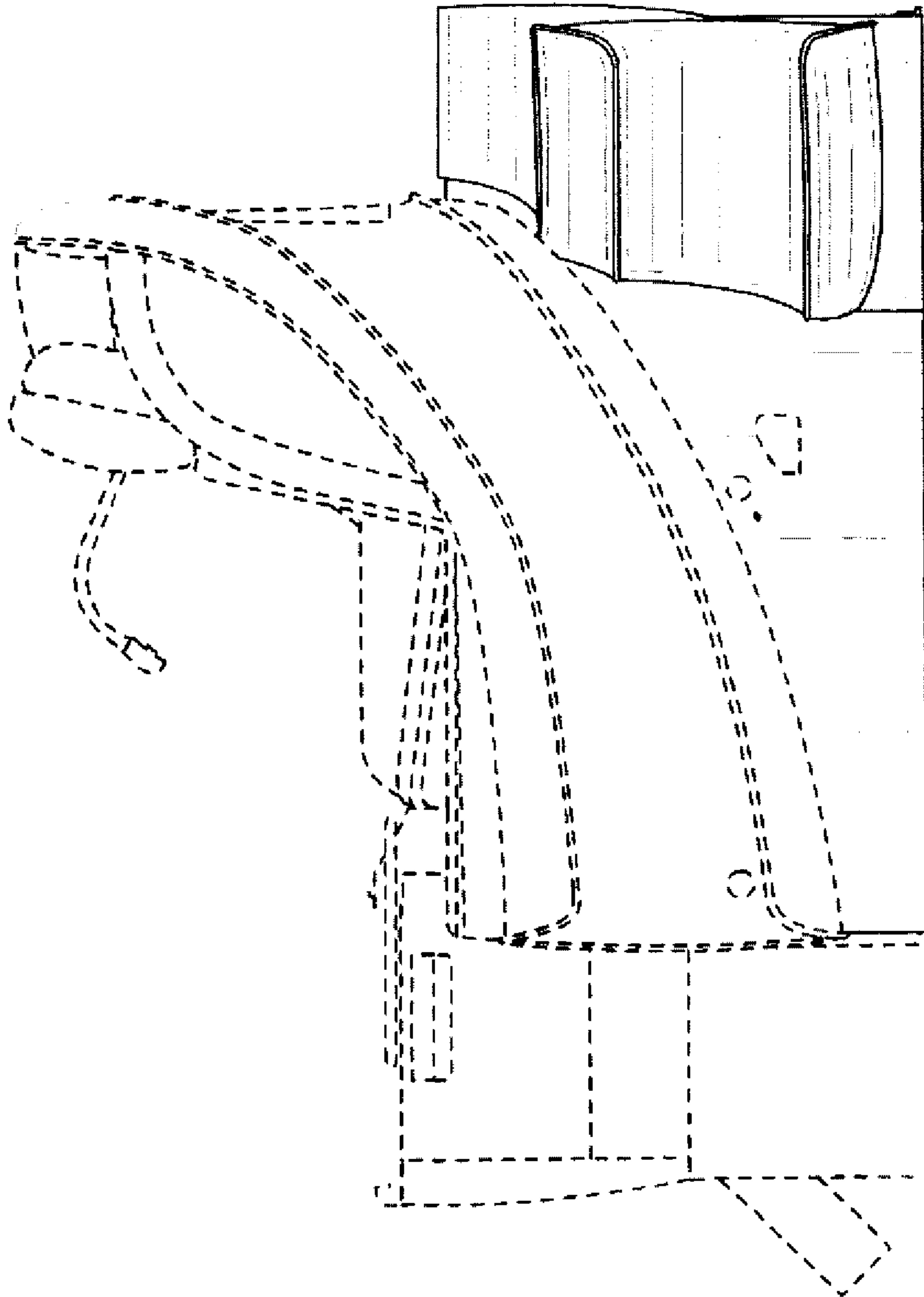


FIG. 2

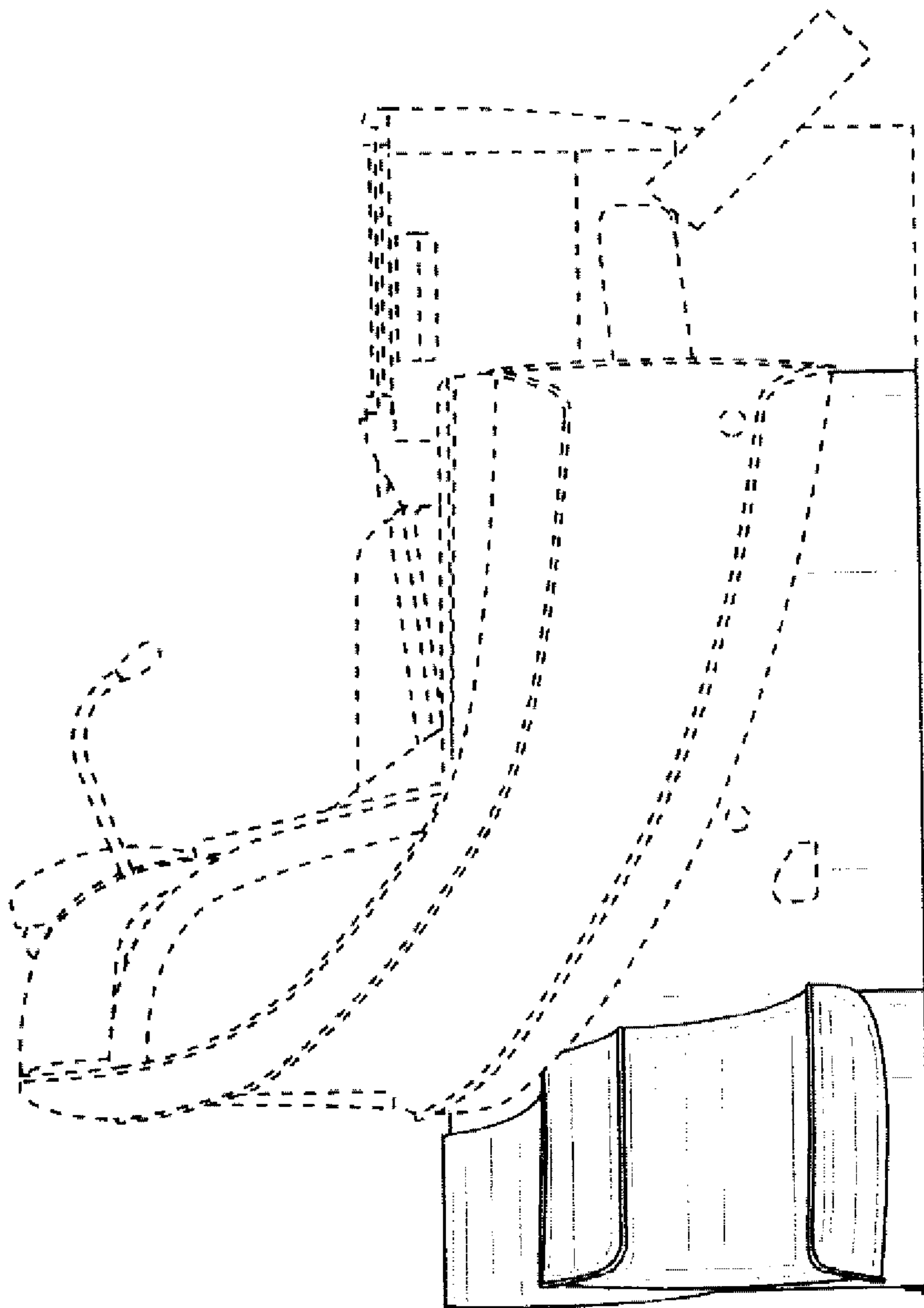


FIG. 3

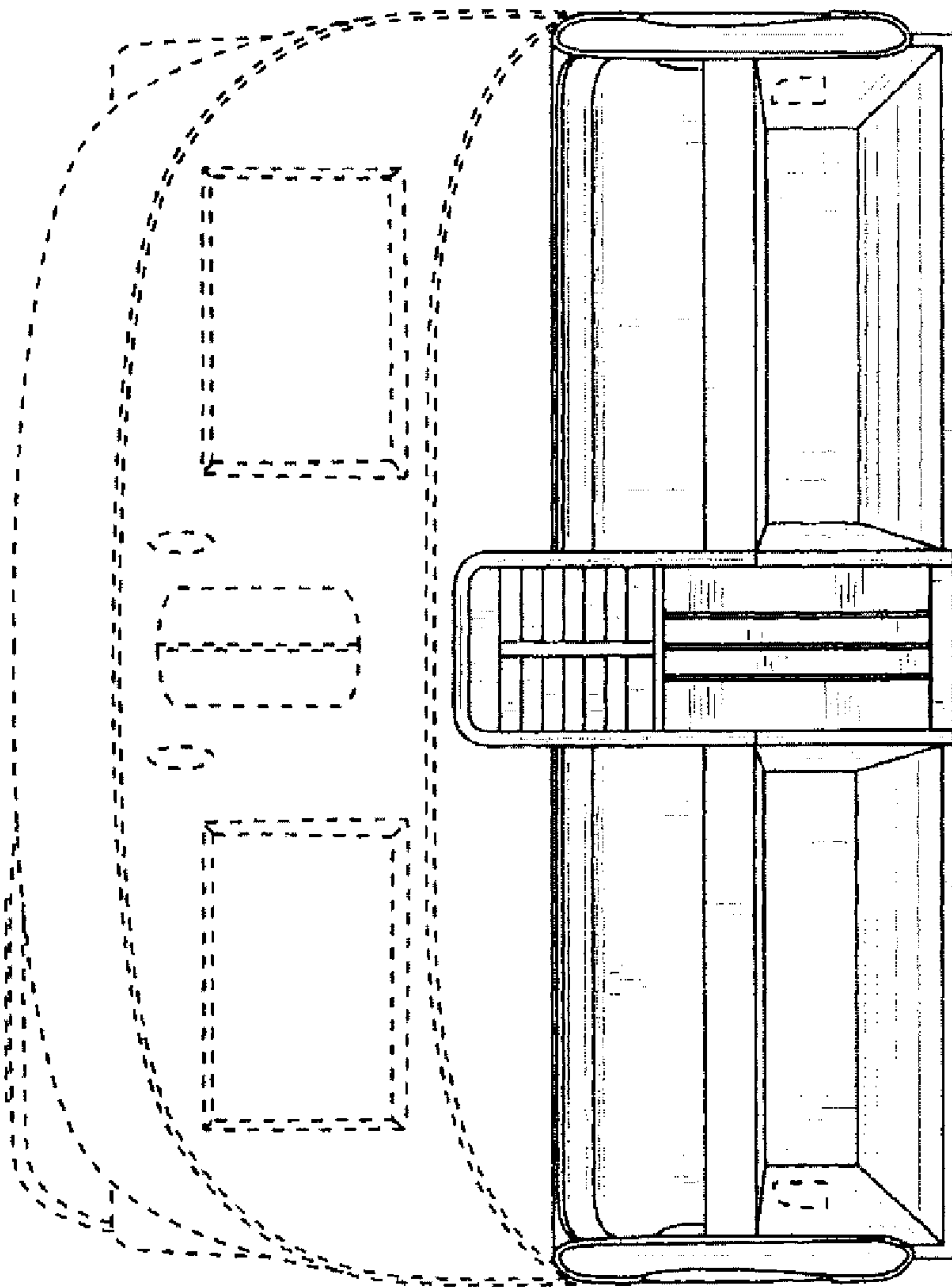


FIG. 4

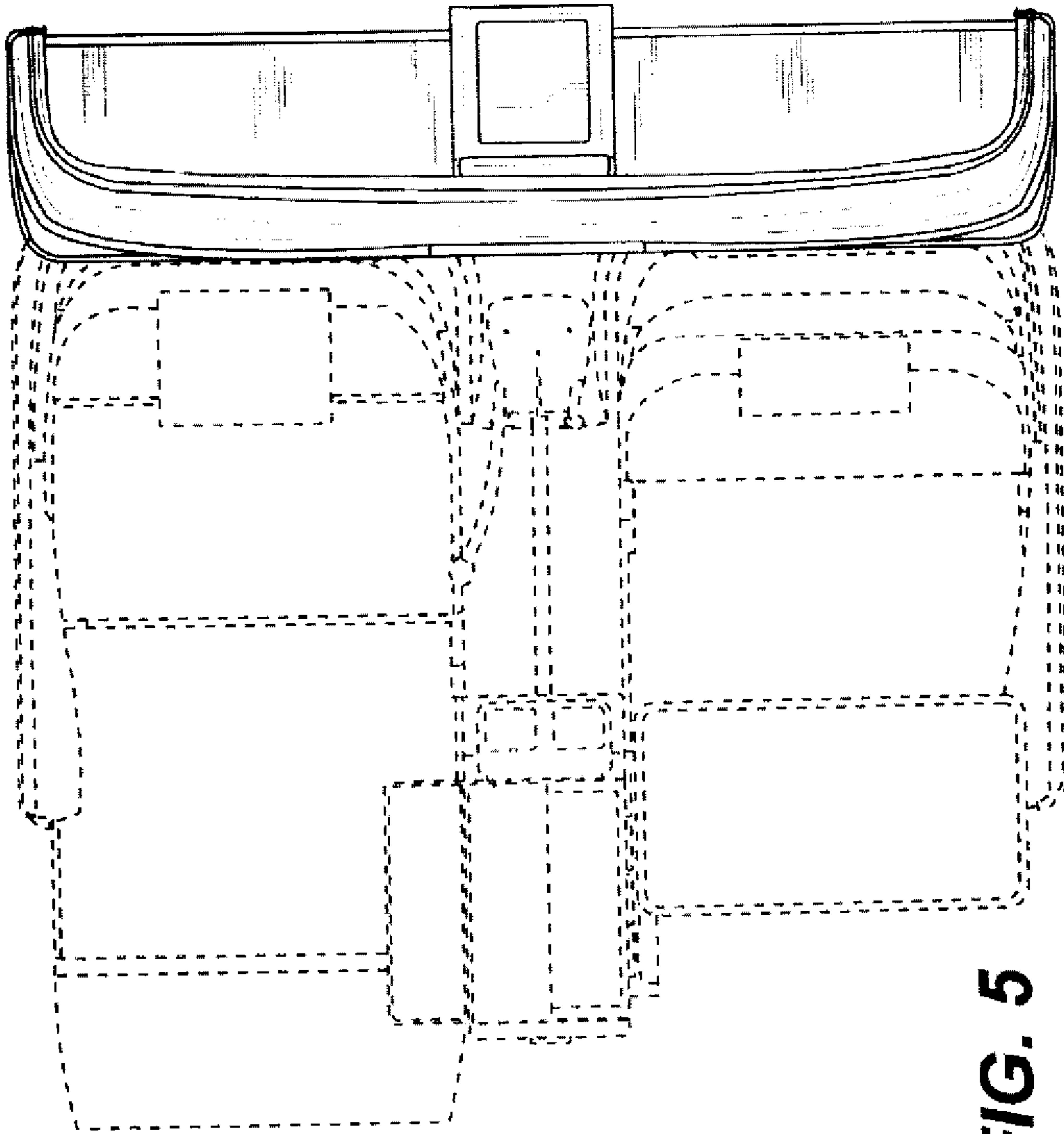


FIG. 5