



US00D725574S

(12) **United States Design Patent**
Perette

(10) **Patent No.:** **US D725,574 S**
(45) **Date of Patent:** **** Mar. 31, 2015**

- (54) **VESSEL HAVING A TWIN DEEP V TECHNOLOGY HULL**
- (71) Applicant: **IBC Offshore, Inc.**, Pembroke, MA (US)
- (72) Inventor: **Robert J. Perette**, Weymouth, MA (US)
- (73) Assignee: **IBC Offshore, Inc.**, Pembroke, MA (US)
- (**) Term: **14 Years**
- (21) Appl. No.: **29/467,782**
- (22) Filed: **Sep. 24, 2013**
- (51) **LOC (10) Cl.** **12-06**
- (52) **U.S. Cl.**
USPC **D12/311**
- (58) **Field of Classification Search**
USPC D12/300, 305-307, 310-318; 114/56, 114/56.1, 61, 61.2, 67 A, 144 E, 249, 271, 114/272, 273, 292, 283, 288-290, 291, 343, 114/352, 355, 363, 364; D21/542-544, 547
See application file for complete search history.

4,574,724 A	3/1986	Stolper	
4,603,650 A	8/1986	Björn	
D290,948 S	7/1987	Hledin	
D302,969 S *	8/1989	Pipkorn	D12/314
D307,574 S *	5/1990	Pipkorn	D12/314
4,924,792 A	5/1990	Sapp et al.	
5,140,930 A *	8/1992	Lund	114/291
5,351,641 A	10/1994	Robson	
5,365,869 A	11/1994	Bulgarini	
D358,122 S	5/1995	Perette	
5,458,078 A	10/1995	Perette	
5,570,649 A *	11/1996	Austin	114/61.2
D400,156 S *	10/1998	Duvenage et al.	D12/312
5,983,823 A *	11/1999	Allison	114/271

(Continued)

OTHER PUBLICATIONS

Office Action dated Sep. 2, 2014; for U.S. Appl. No. 29/467,781; 9 pages.

Primary Examiner — Cynthia M Chin

(74) *Attorney, Agent, or Firm* — Daly, Crowley, Mofford & Durkee, LLP

(57) **CLAIM**

The ornamental design for a vessel having a twin deep V technology hull, as shown and described.

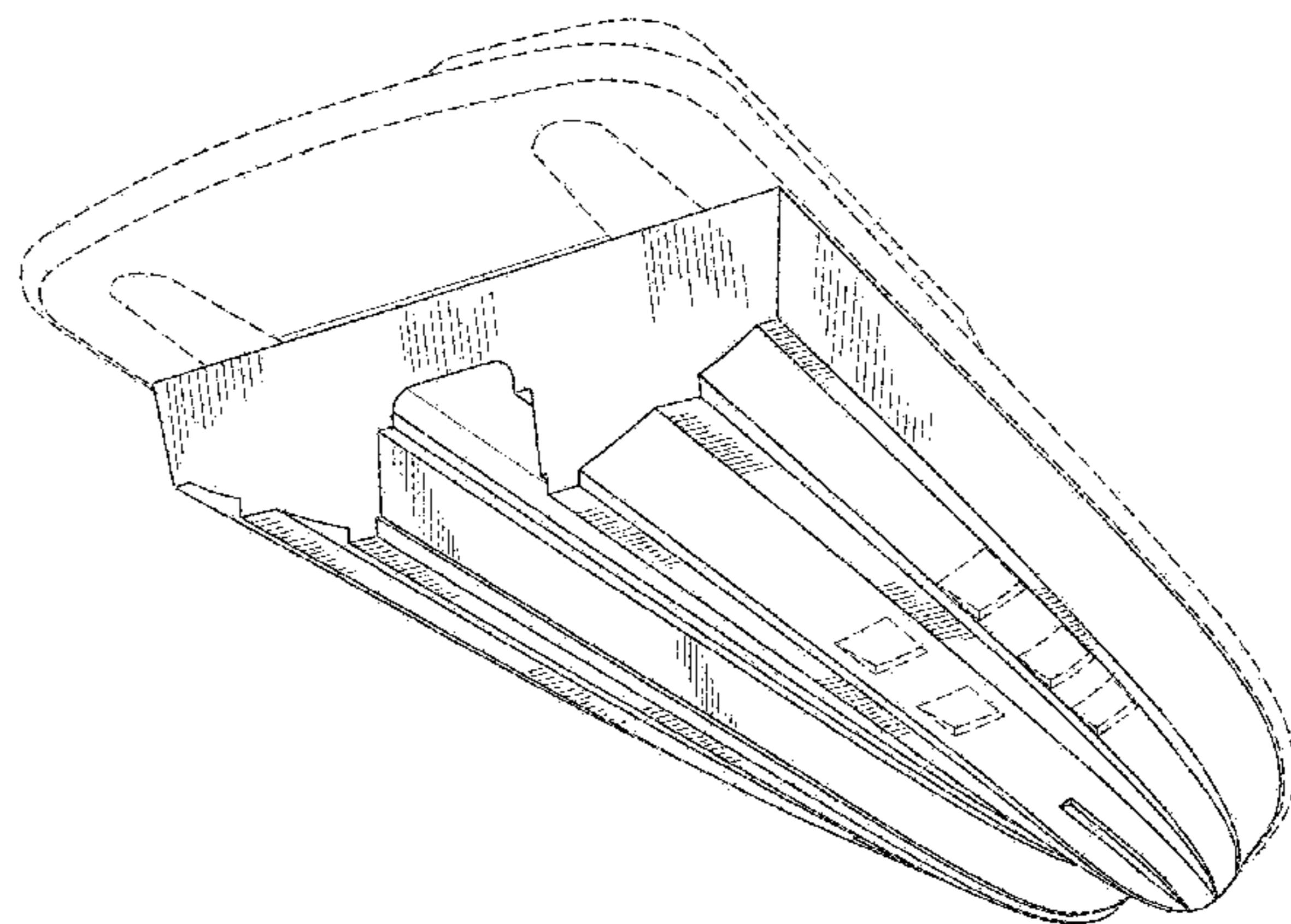
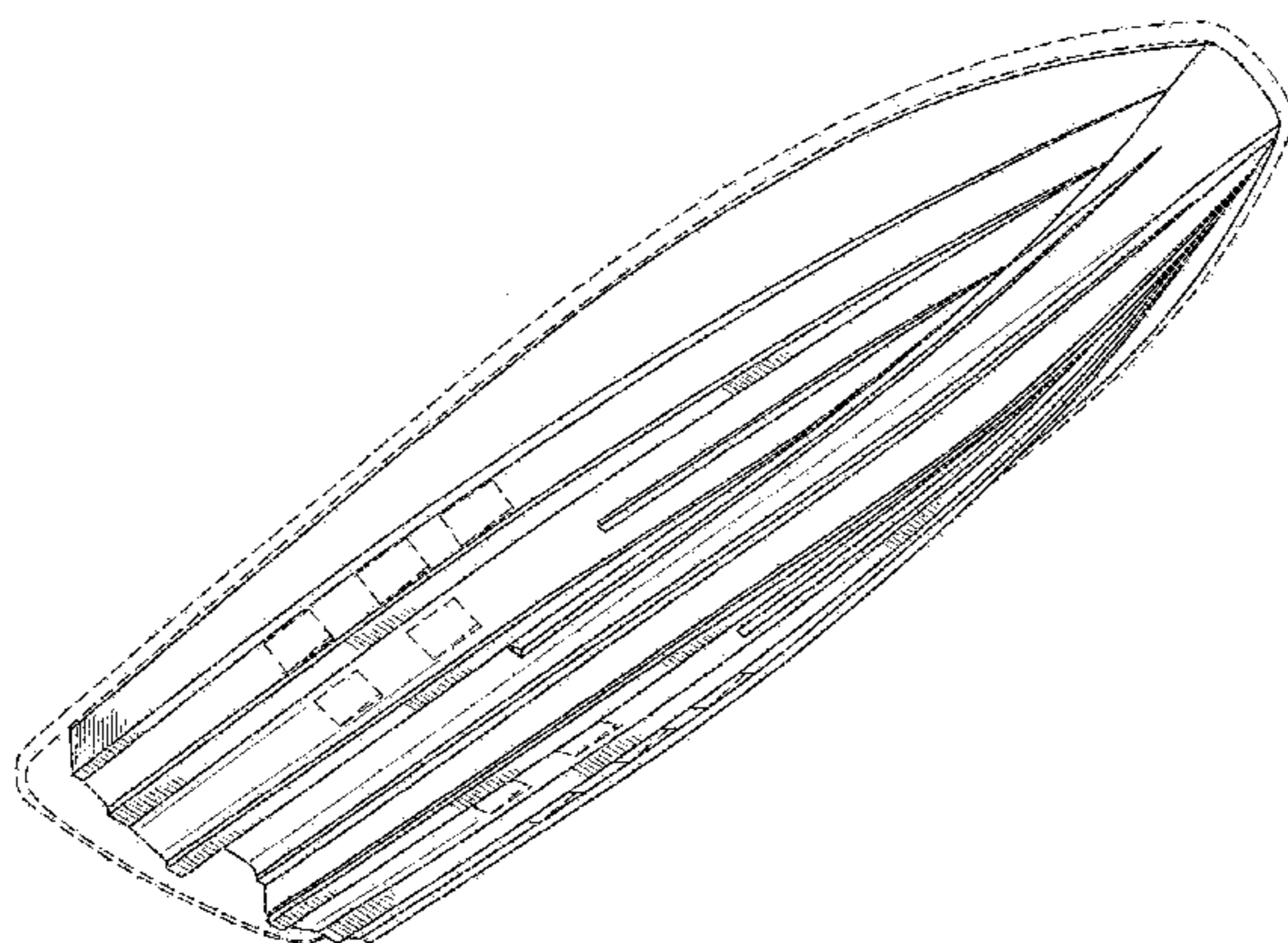
DESCRIPTION

FIG. 1 is a right-side (i.e. starboard-side) perspective view of a vessel having a twin deep V technology hull.
 FIG. 2 is a left-side (i.e. port-side) perspective view.
 FIG. 3 is a right-side elevational view.
 FIG. 4 is a left-side elevational view.
 FIG. 5 is a front (i.e. bow) elevational view.
 FIG. 6 is a back (i.e. stern) elevational view.
 FIG. 7 is a top plan view; and,
 FIG. 8 is a bottom plan view.
 Broken lines in the drawings show environmental structures and are not claimed.

1 Claim, 5 Drawing Sheets

(56) **References Cited**
U.S. PATENT DOCUMENTS

1,712,281 A	5/1929	Royer
2,296,977 A	9/1942	Brien
2,666,406 A	1/1954	Babcock
3,126,856 A	3/1964	Fuller
3,177,836 A	4/1965	Salamin
3,470,839 A	10/1969	Faul et al.
3,625,173 A	12/1971	Mitton
3,776,168 A	12/1973	Weeks
D233,029 S	10/1974	Wiles et al.
3,937,164 A	2/1976	Austin
3,967,571 A	7/1976	Mut
3,996,869 A	12/1976	Hadley
4,091,761 A	5/1978	Fehn
4,478,166 A	10/1984	Sorensen



(56)

References Cited

6,708,642 B1 * 3/2004 Taylor 114/290
D680,053 S * 4/2013 Ulgen D12/310

U.S. PATENT DOCUMENTS

6,067,923 A * 5/2000 Ratlieff, Jr. 114/290 * cited by examiner

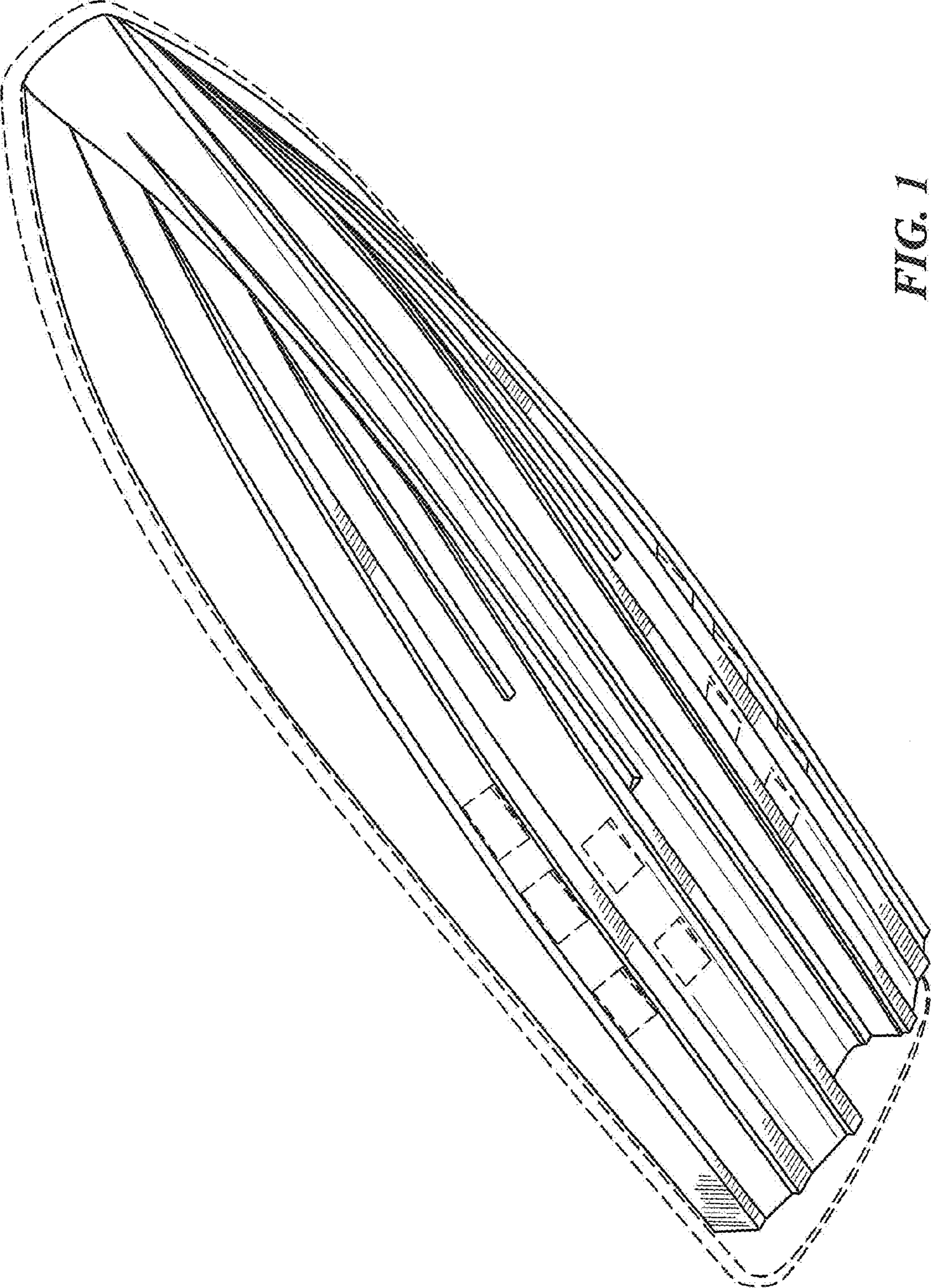


FIG. 1

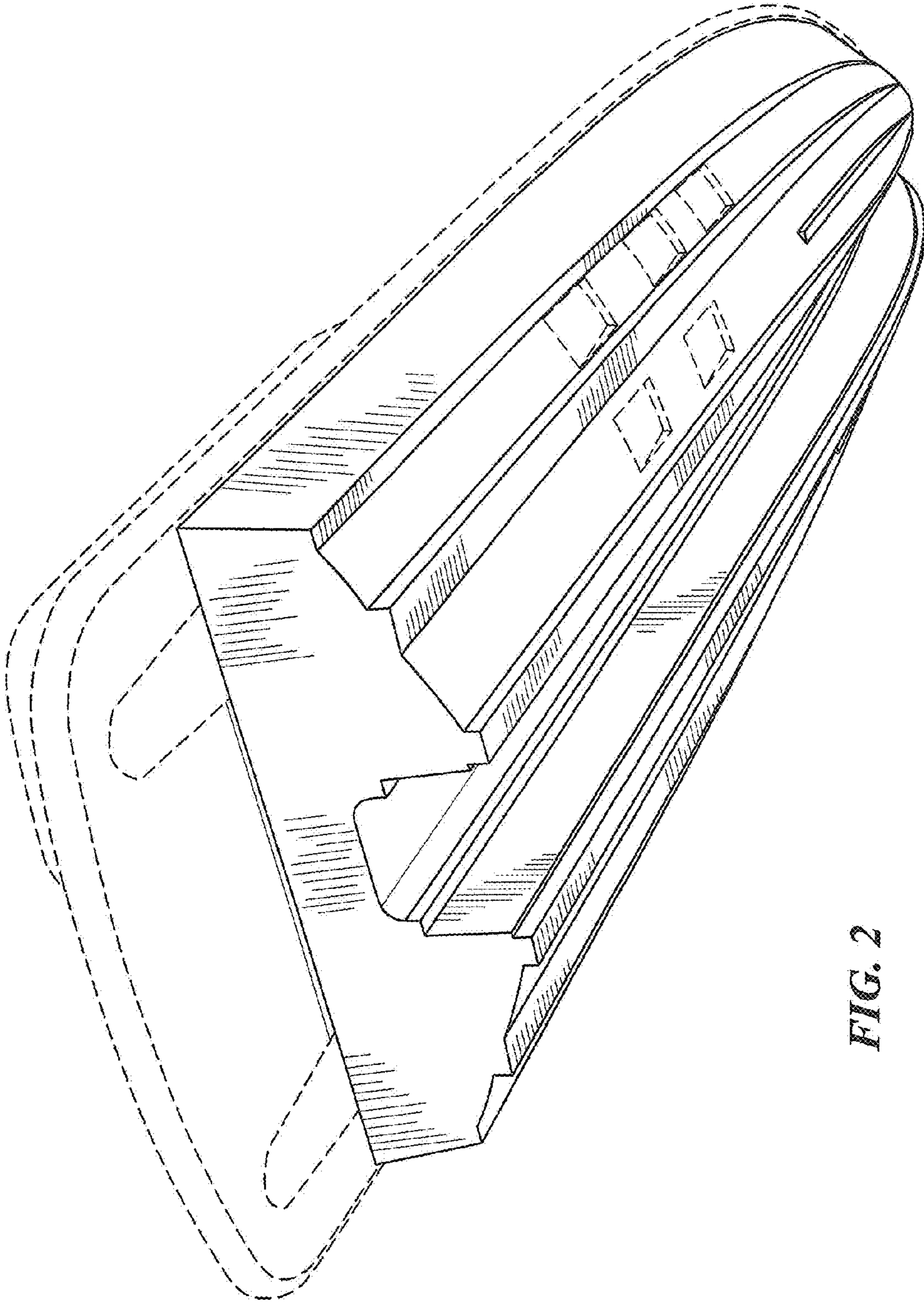


FIG. 2

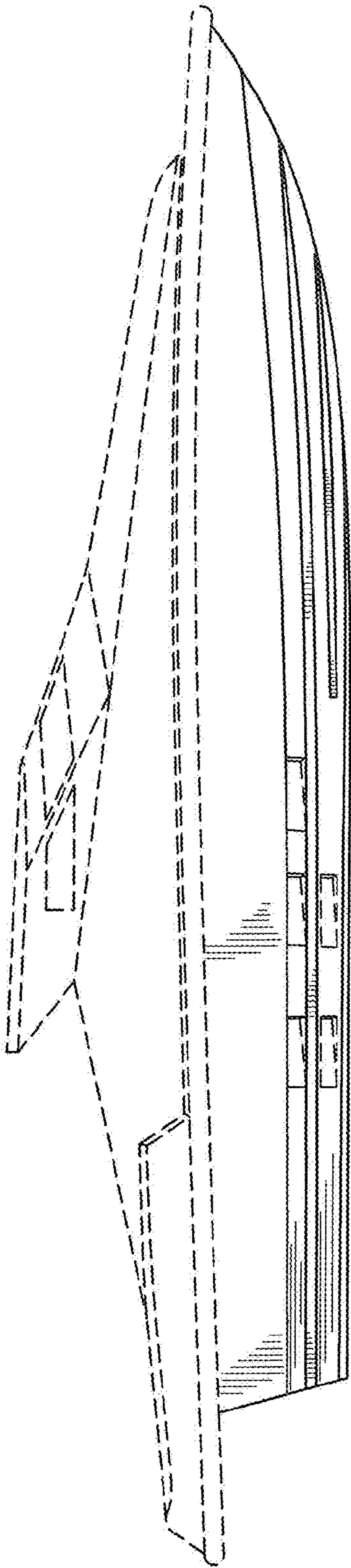


FIG. 3

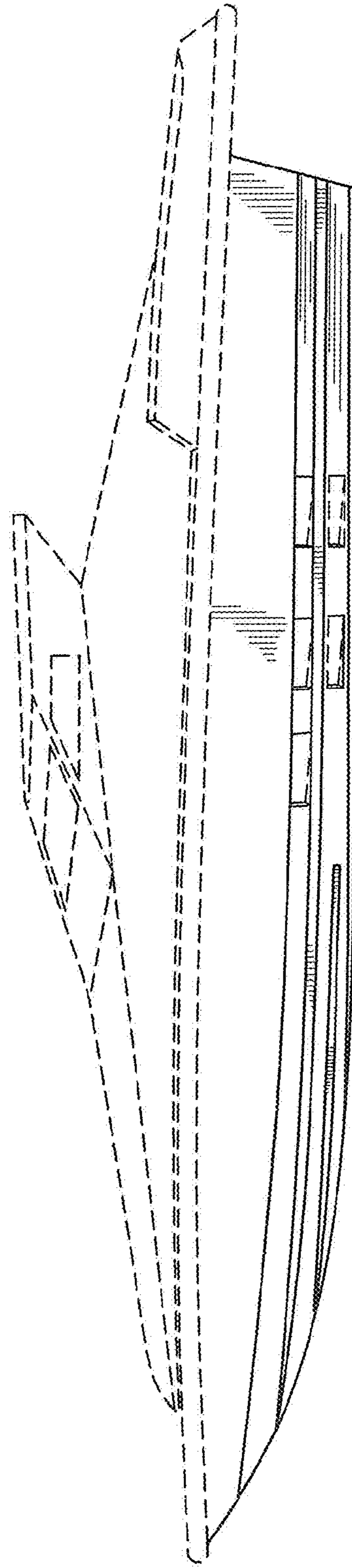


FIG. 4

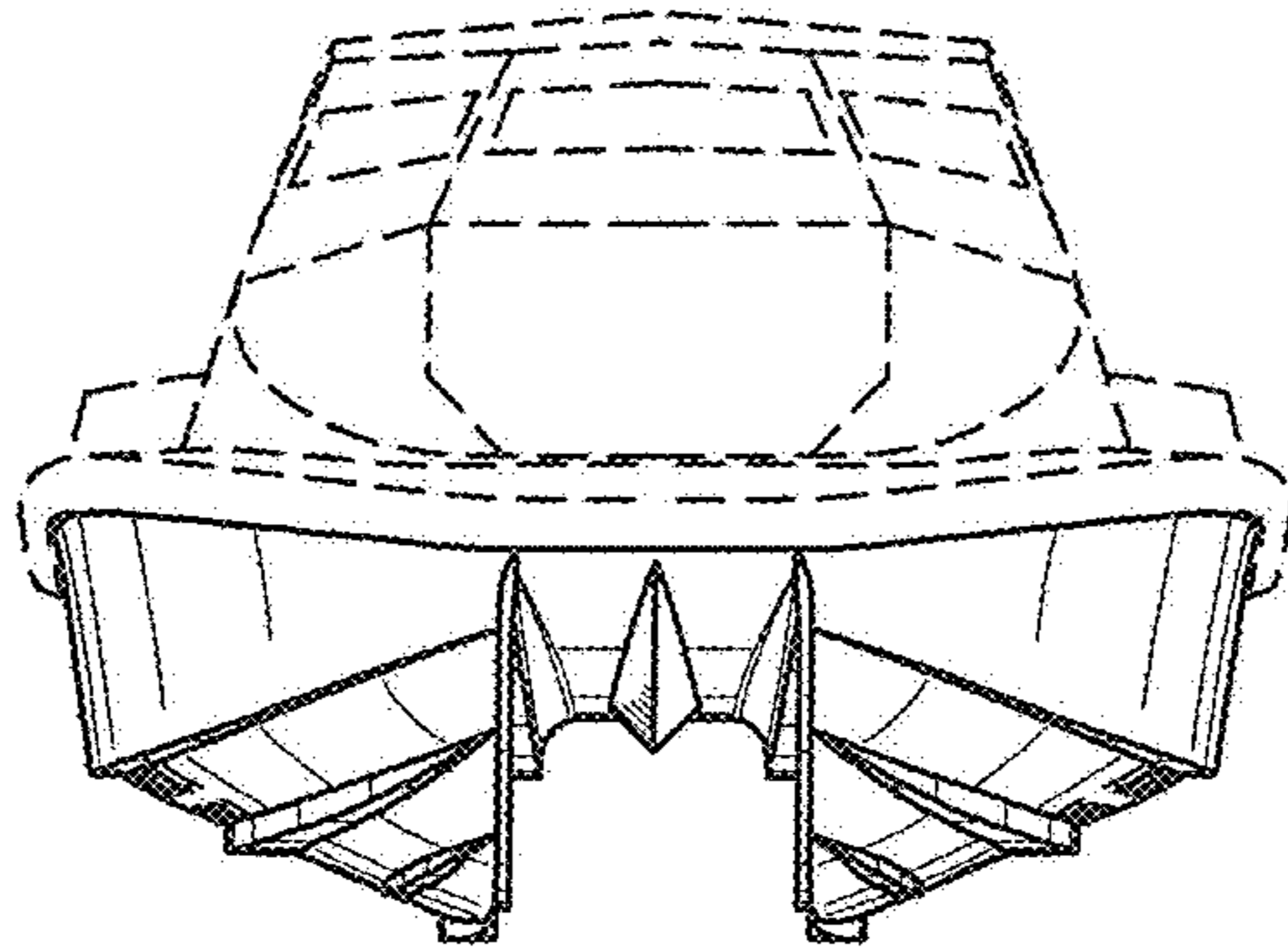


FIG. 5

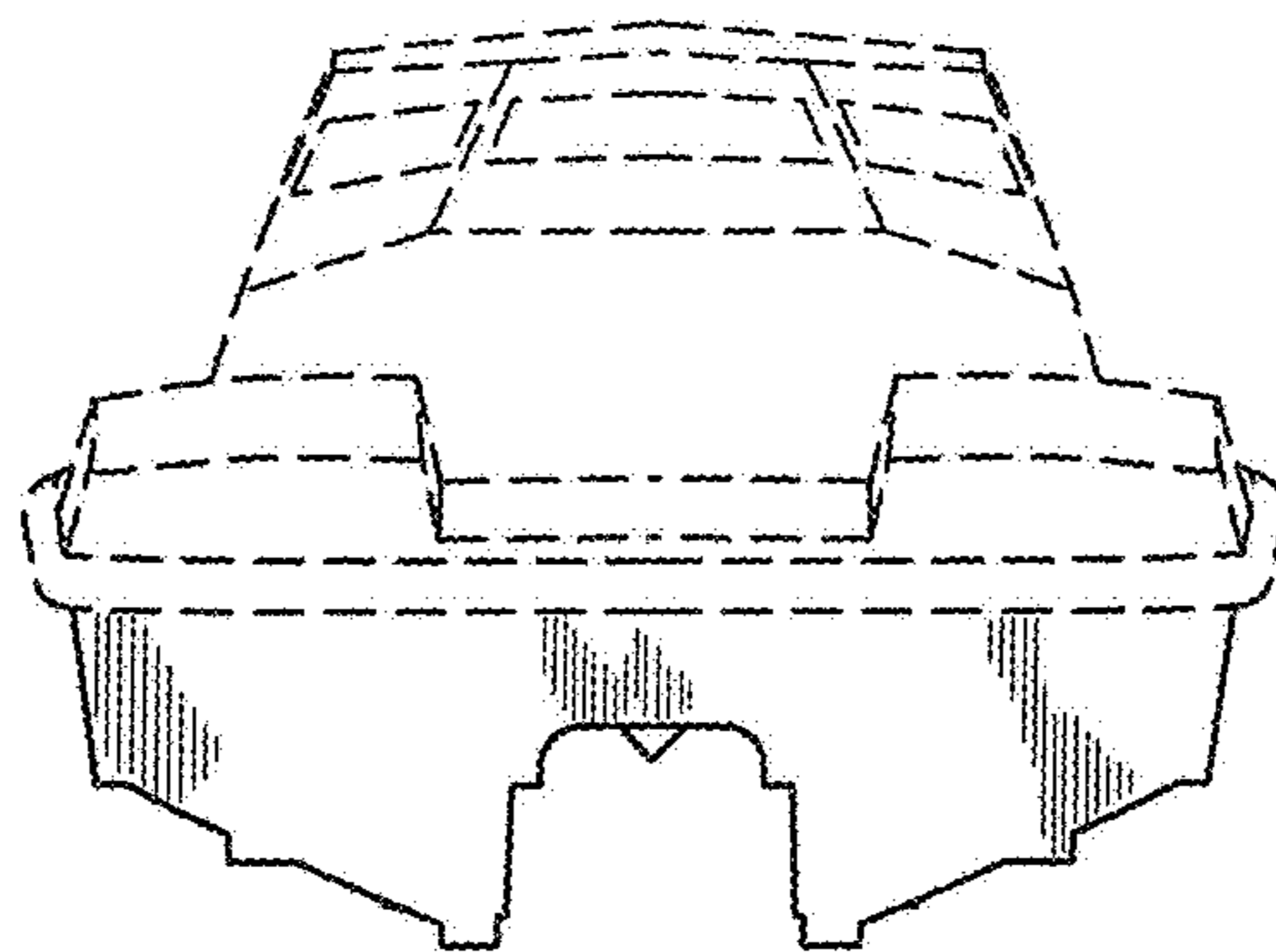


FIG. 6

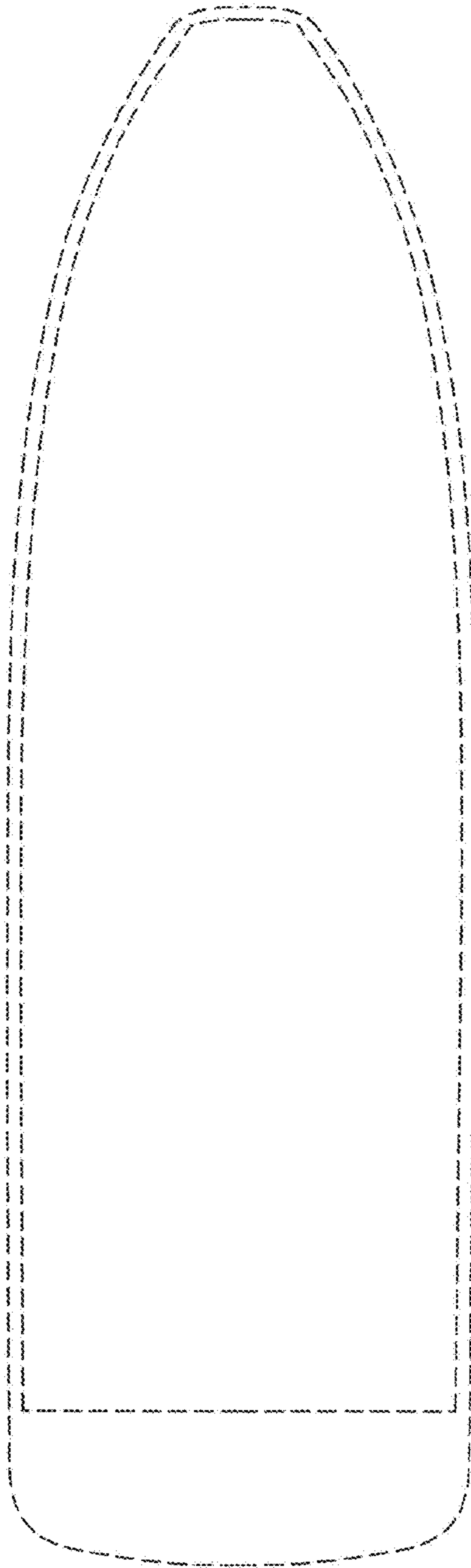


FIG. 7

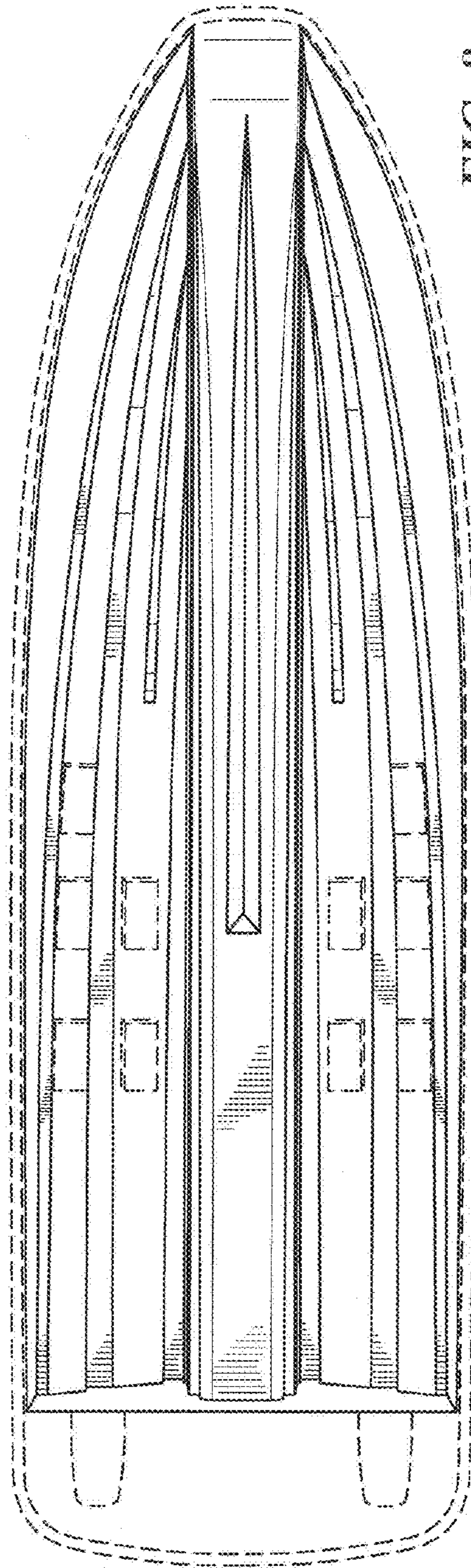


FIG. 8