



US00D725568S

(12) **United States Design Patent**  
**Hodges**

(10) **Patent No.:** **US D725,568 S**

(45) **Date of Patent:** **\*\* Mar. 31, 2015**

(54) **WHEEL**

(71) Applicant: **Frank J. Hodges**, Corona, CA (US)

(72) Inventor: **Frank J. Hodges**, Corona, CA (US)

(\*\*) Term: **14 Years**

(21) Appl. No.: **29/486,502**

(22) Filed: **Mar. 31, 2014**

(51) **LOC (10) Cl.** ..... **12-16**

(52) **U.S. Cl.**  
USPC ..... **D12/209**

(58) **Field of Classification Search**  
CPC ..... B60B 7/00; B60B 7/02; B60B 7/04;  
B60B 7/01; B60B 7/06; B60B 1/00; B60B  
1/08; B60B 1/10; B60B 1/12; B60B 3/02;  
B60B 3/04; B60B 3/06; B60B 3/10  
USPC ..... D12/204-213  
See application file for complete search history.

(56) **References Cited**

**U.S. PATENT DOCUMENTS**

D396,443 S \* 7/1998 Nepper ..... D12/209  
D405,043 S \* 2/1999 Moreno ..... D12/209

D409,130 S \* 5/1999 Brown et al. .... D12/209  
D430,842 S \* 9/2000 Chinellato ..... D12/209  
D433,372 S \* 11/2000 Donikoglu ..... D12/209  
D441,707 S \* 5/2001 Hussaini et al. .... D12/209  
D455,991 S \* 4/2002 Kaucher ..... D12/209  
D491,125 S \* 6/2004 Rivers et al. .... D12/209  
D491,126 S \* 6/2004 Rivers et al. .... D12/209  
D497,861 S \* 11/2004 Brintouch et al. .... D12/209  
D542,206 S \* 5/2007 Evans ..... D12/209

\* cited by examiner

*Primary Examiner* — Stacia Cadmus

(74) *Attorney, Agent, or Firm* — Eric B. Alspaugh

(57) **CLAIM**

The ornamental design for a wheel, as shown and described.

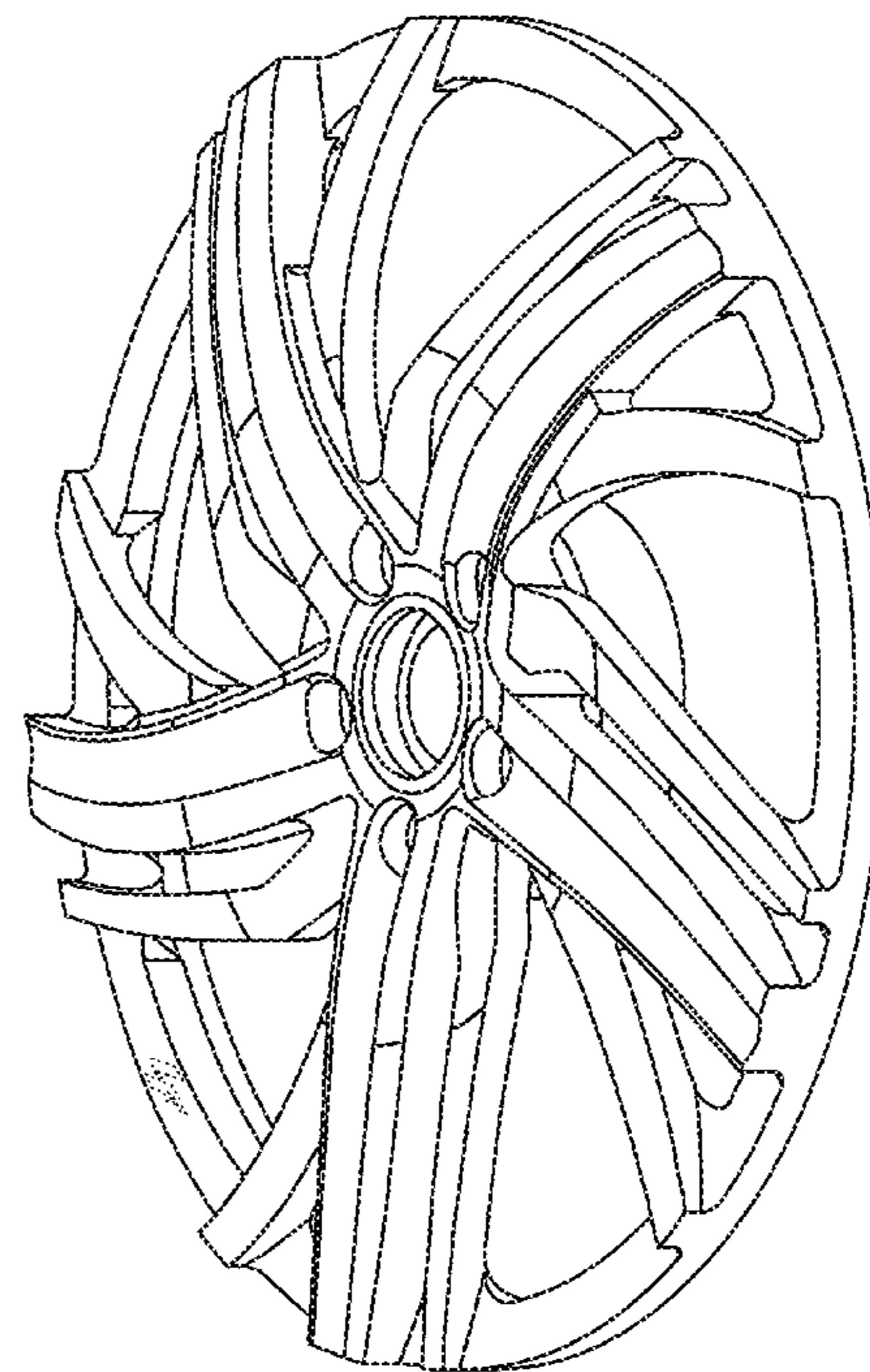
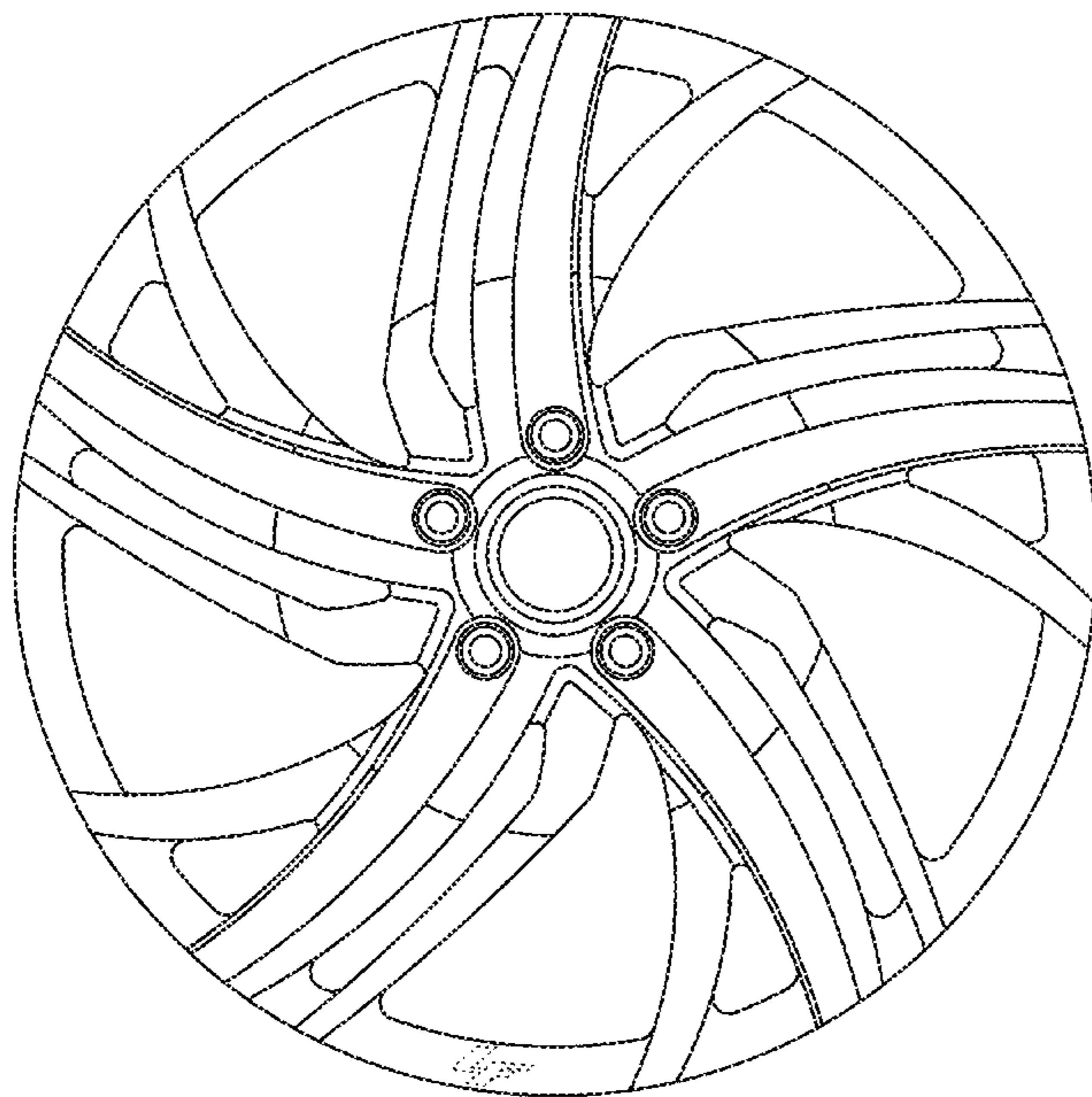
**DESCRIPTION**

FIG. 1 is a front view of a wheel, showing my new design; and,

FIG. 2 is a perspective view thereof.

The broken line showing of the logo is included for the purpose of illustrating environment and forms no part of the claimed design.

**1 Claim, 2 Drawing Sheets**



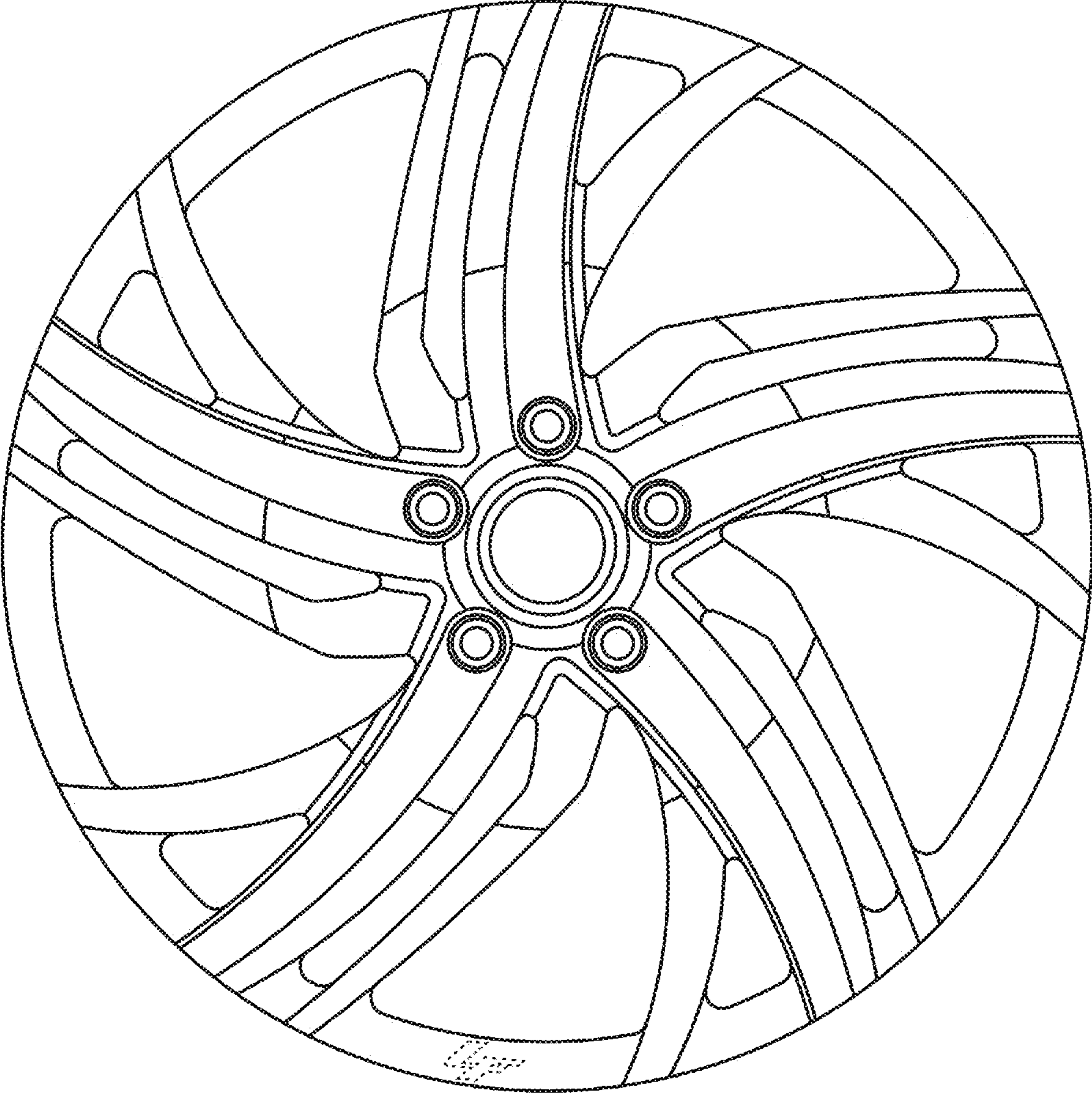


Fig. 1

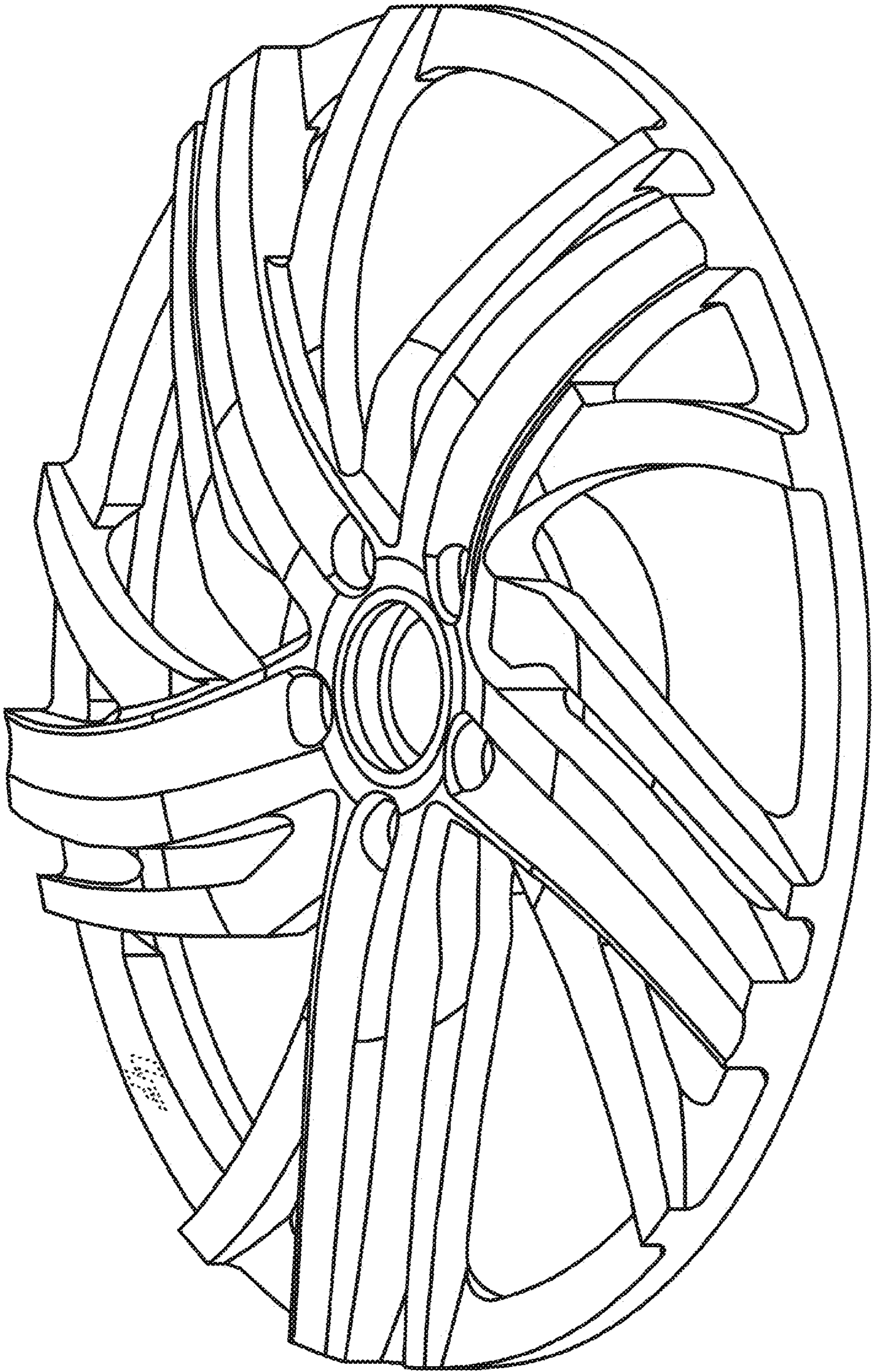


Fig. 2