



US00D725564S

(12) **United States Design Patent**
Covington

(10) **Patent No.:** **US D725,564 S**
(45) **Date of Patent:** **** Mar. 31, 2015**

- (54) **ENGINE EXHAUST PIPE**
- (71) Applicant: **Jerry Covington**, Woodward, OK (US)
- (72) Inventor: **Jerry Covington**, Woodward, OK (US)
- (**) Term: **14 Years**
- (21) Appl. No.: **29/454,507**
- (22) Filed: **May 10, 2013**
- (51) **LOC (10) Cl.** **12-16**
- (52) **U.S. Cl.**
USPC **D12/194**
- (58) **Field of Classification Search**
USPC D15/5; D12/194; 293/113; 29/890.08;
60/303, 313, 323; 180/89.2, 296, 309;
138/37-39, 44, 103, 109;
181/247-249, 264, 282, 239-241, 227,
181/228
See application file for complete search history.

- 5,816,045 A * 10/1998 Blocker et al. 60/323
- D484,513 S * 12/2003 Grudynski, III D15/5
- D561,078 S * 2/2008 Bigg D12/194
- D561,079 S * 2/2008 Bigg D12/194
- D563,302 S * 3/2008 Medema et al. D12/194
- 7,604,093 B2 * 10/2009 Bach 181/228

* cited by examiner

Primary Examiner — Michael A Pratt
(74) *Attorney, Agent, or Firm* — Ice Miller LLP

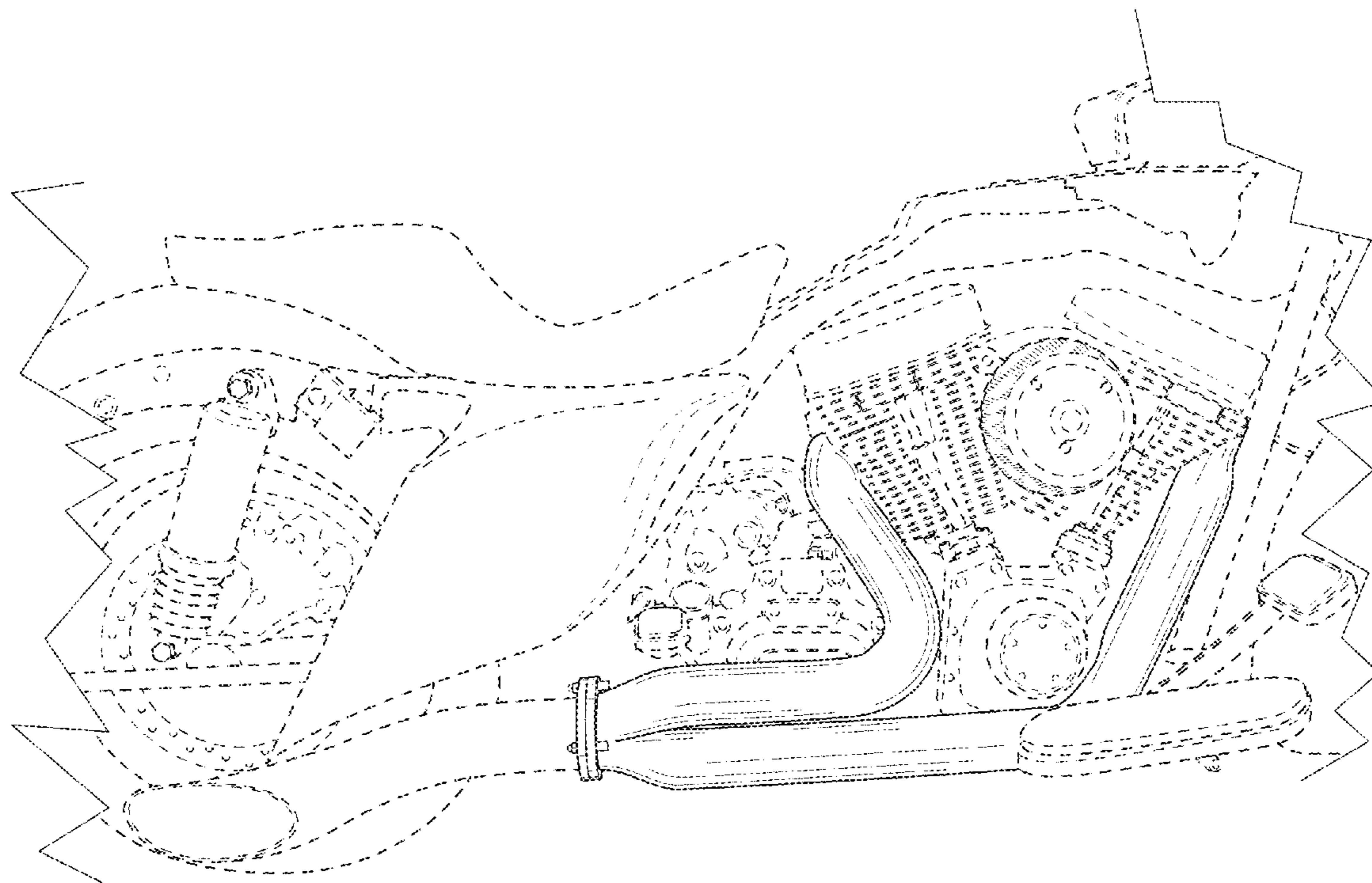
(57) **CLAIM**
The ornamental design for an engine exhaust pipe, as shown and described.

DESCRIPTION

FIG. 1 is a right side view of an engine exhaust pipe of the present invention;
FIG. 2 is an enlarged right side view of the engine exhaust pipe of the present invention;
FIG. 3 is an enlarged top right perspective view of the engine exhaust pipe of the present invention;
FIG. 4 is an enlarged top right perspective view of the engine exhaust pipe of the present invention; and,
FIG. 5 is an enlarged top view of the engine exhaust pipe of the present invention.
The broken line portions shown in FIGS. 1-5 are for environmental purposes only, and form no part of the claimed design.

1 Claim, 5 Drawing Sheets

- (56) **References Cited**
U.S. PATENT DOCUMENTS
2,868,228 A * 1/1959 Russell 239/505
2,919,720 A * 1/1960 Nicholls 239/517
3,507,301 A * 4/1970 Larson 137/602
D351,579 S * 10/1994 Simpson D12/194
D368,247 S * 3/1996 Jones D12/194
5,816,044 A * 10/1998 Biggs 60/313



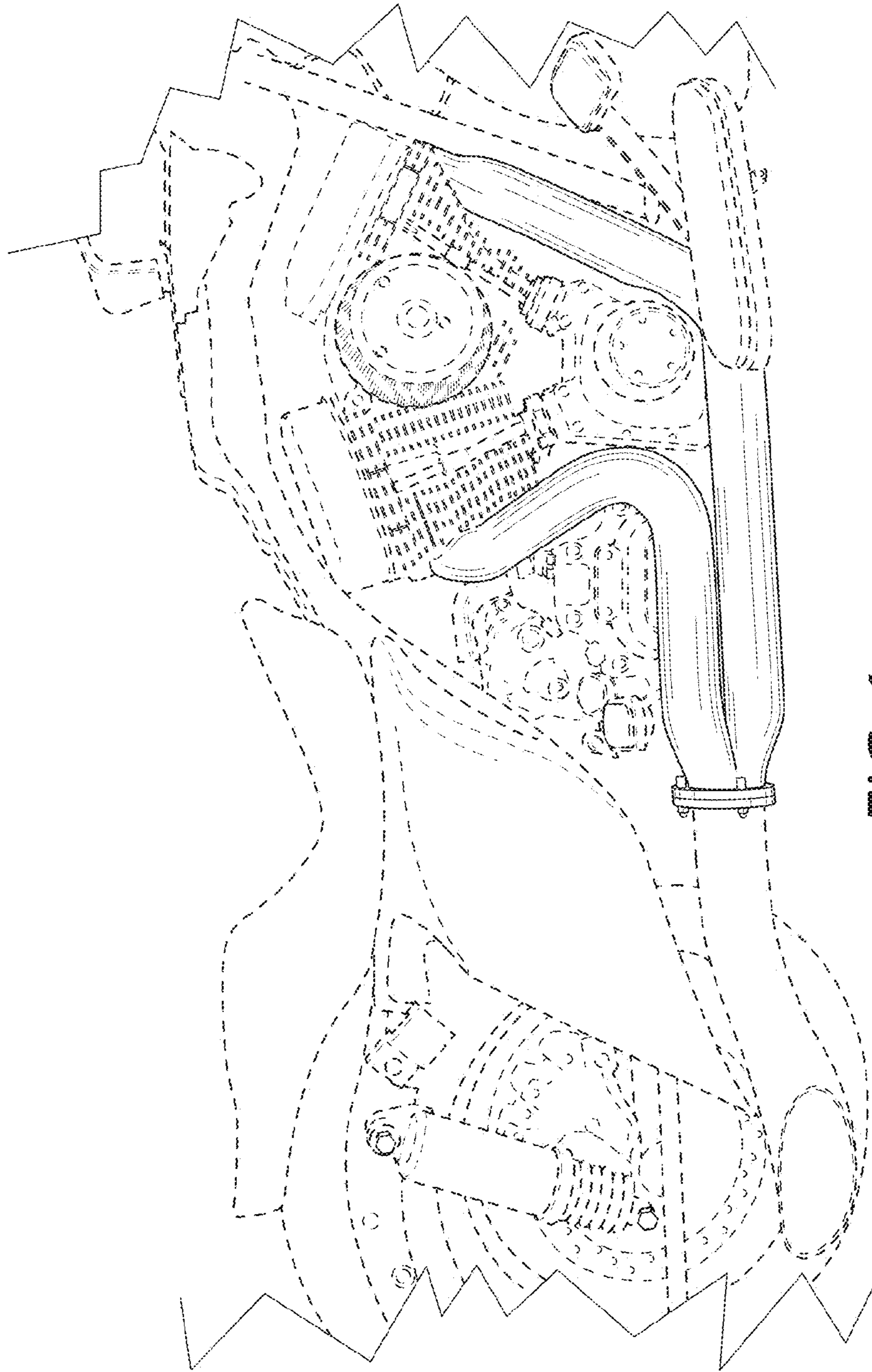


FIG. 1

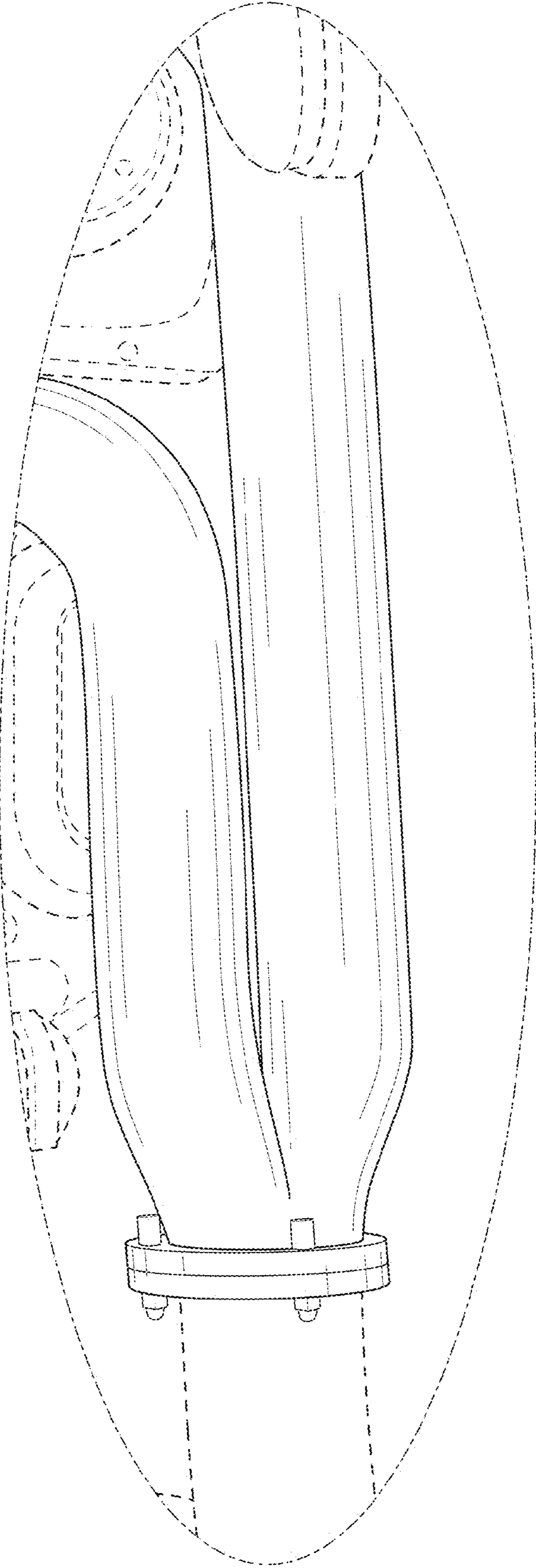


FIG. 2

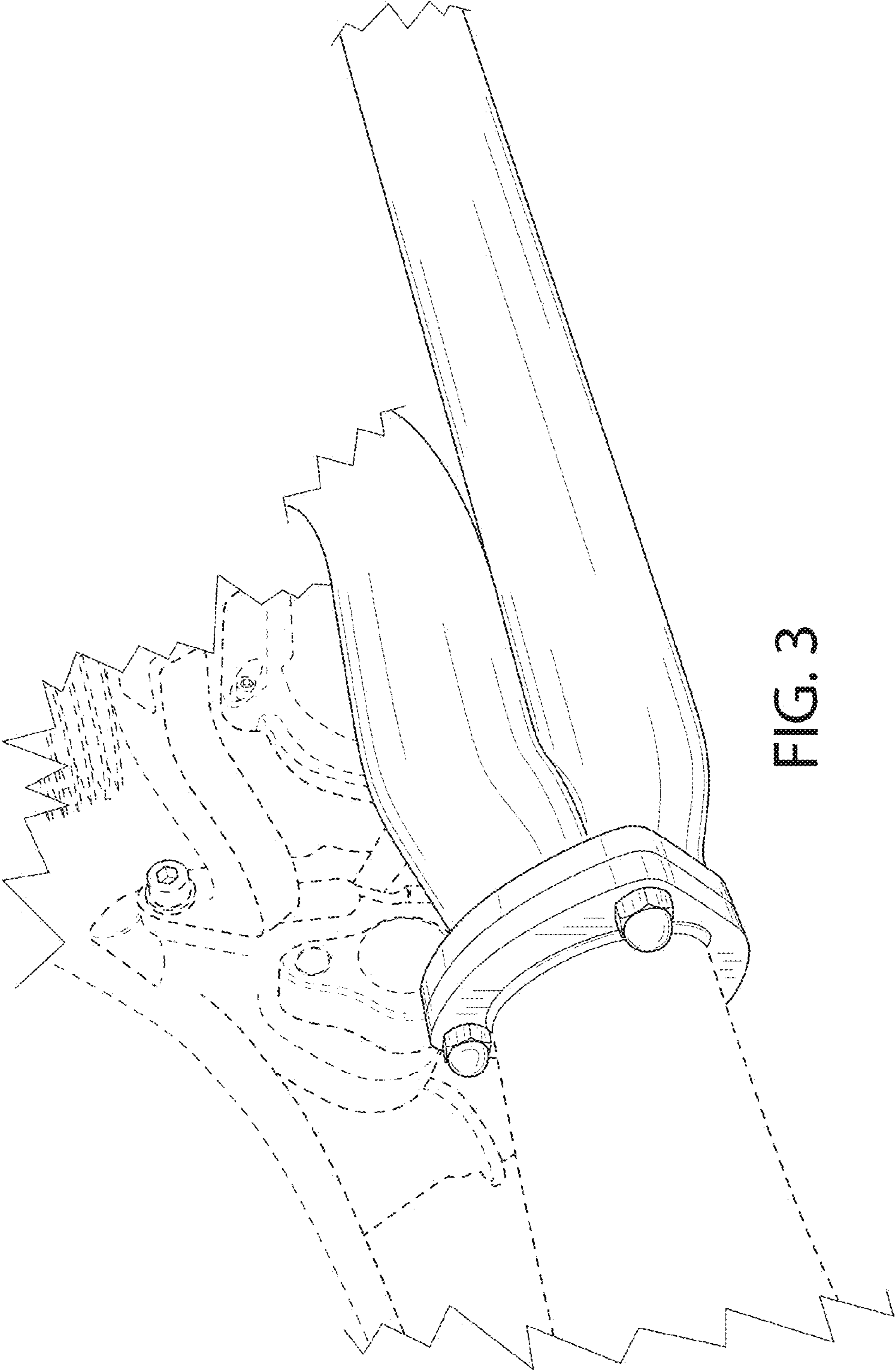


FIG. 3

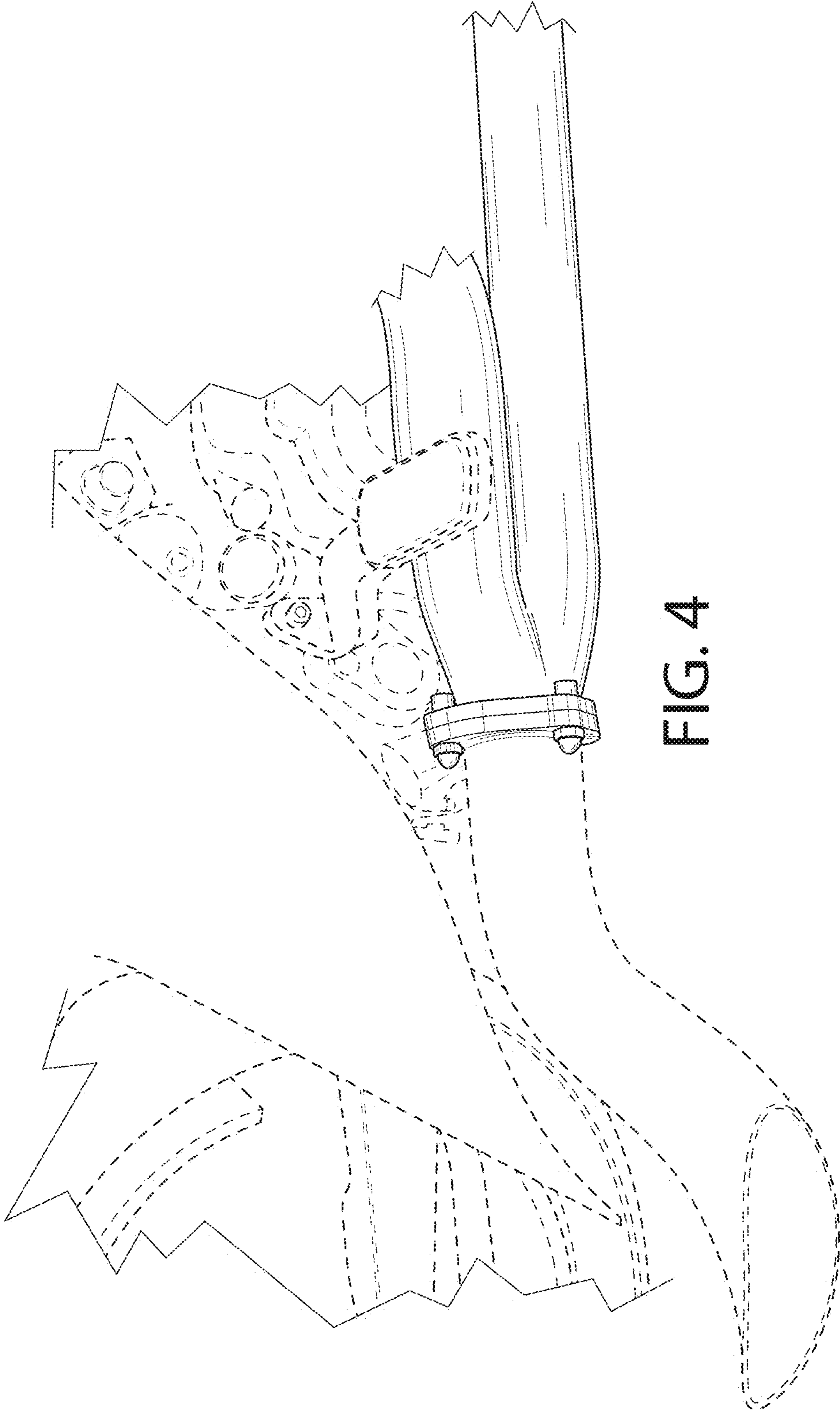


FIG. 4

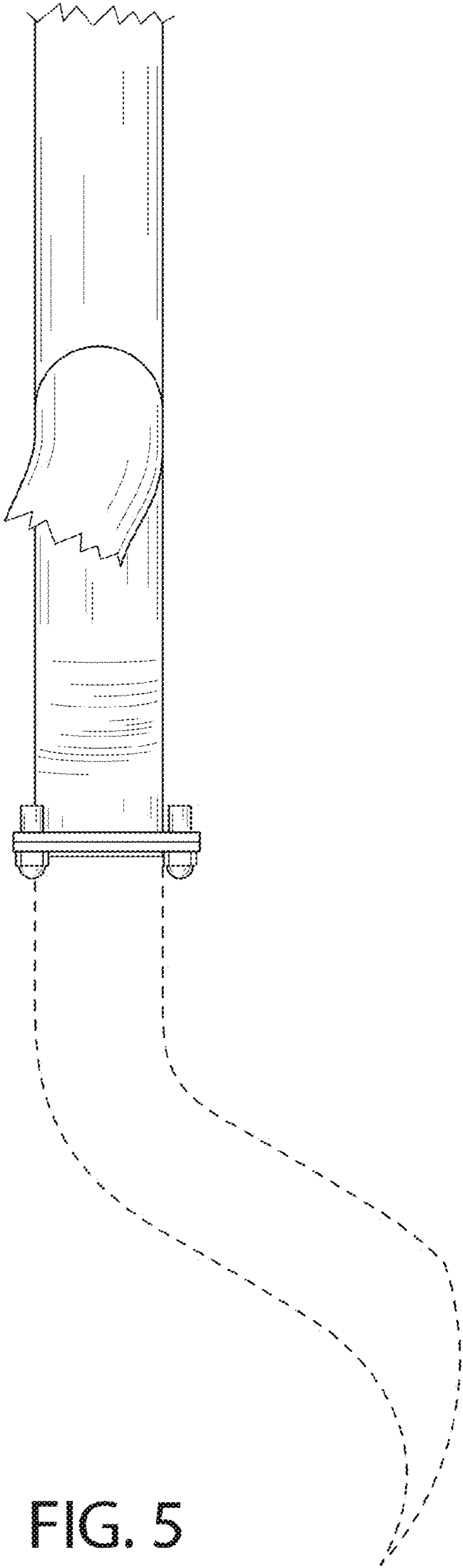


FIG. 5