



US00D725561S

(12) **United States Design Patent**
Minikey, Jr. et al.

(10) **Patent No.:** **US D725,561 S**
(45) **Date of Patent:** **** Mar. 31, 2015**

- (54) **REARVIEW DEVICE**
- (71) Applicant: **Gentex Corporation**, Zeeland, MI (US)
- (72) Inventors: **Danny L. Minikey, Jr.**, Fenwick, MI (US); **Bradley R. Hamlin**, Allendale, MI (US); **Mark R. Roth**, Coloma, MI (US); **David J. Cammenga**, Zeeland, MI (US)
- (73) Assignee: **Gentex Corporation**, Zeeland, MI (US)
- (**) Term: **14 Years**
- (21) Appl. No.: **29/461,639**
- (22) Filed: **Jul. 25, 2013**
- (51) **LOC (10) Cl.** **12-16**
- (52) **U.S. Cl.**
USPC **D12/187**
- (58) **Field of Classification Search**
USPC D12/187, 188–189; D6/300, 309;
359/838, 841–844, 868, 871, 866;
248/479–483, 475.1
See application file for complete search history.

- (56) **References Cited**
U.S. PATENT DOCUMENTS
D391,214 S * 2/1998 Hook et al. D12/187
D400,481 S * 11/1998 Stephens et al. D12/187
D410,607 S * 6/1999 Carter D12/187
D450,281 S * 11/2001 Ypma et al. D12/187
D451,456 S * 12/2001 Santo D12/187
D458,568 S * 6/2002 Hook et al. D12/187
D478,536 S 8/2003 Rumsey et al.

- D659,617 S * 5/2012 Brockington et al. D12/187
- D660,208 S * 5/2012 De Wind D12/187
- D661,234 S * 6/2012 De Wind D12/187
- 8,797,627 B2 * 8/2014 McCabe et al. 359/267
- 2010/0085645 A1 * 4/2010 Skiver et al. 359/604
- 2010/0290141 A1 * 11/2010 Huang 359/844
- 2012/0229882 A1 9/2012 Fish, Jr. et al.

* cited by examiner

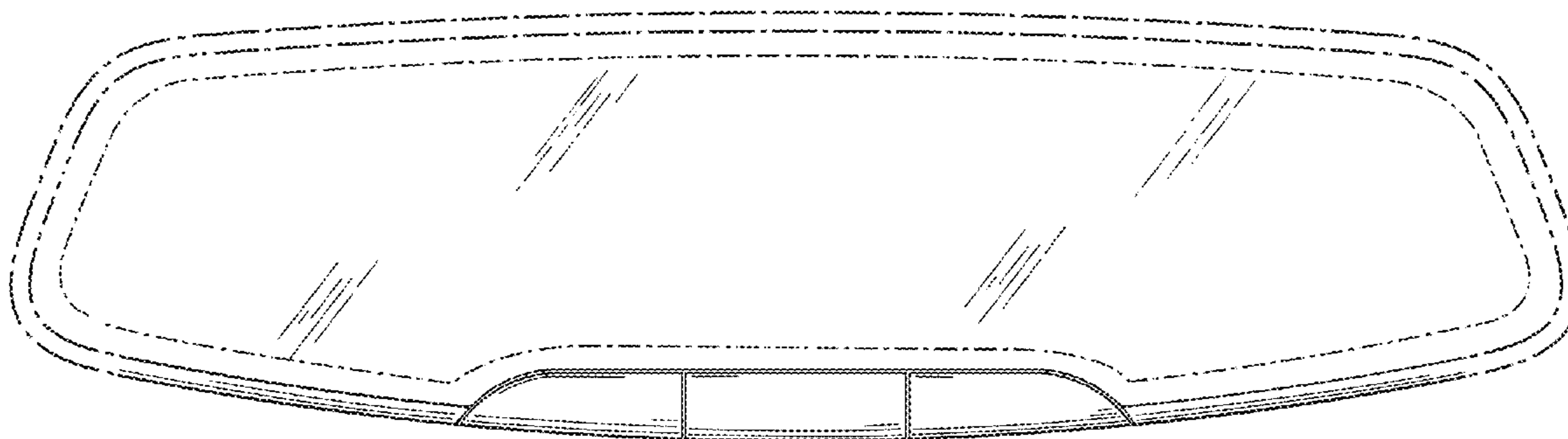
Primary Examiner — Katrina A Betton
(74) *Attorney, Agent, or Firm* — Price Heneveld LLP; Scott P. Ryan

(57) **CLAIM**
We claim the ornamental design for a rearview device, as shown and described.

DESCRIPTION

FIG. 1 is a front perspective view of a rearview device of the present invention;
FIG. 2 is a front elevational view of the rearview device of FIG. 1;
FIG. 3 is an enlarged partial front elevational view of the rearview device of FIG. 1;
FIG. 4 is a rear elevational view of the rearview device of FIG. 1;
FIG. 5 is a first side elevational view of the rearview device of FIG. 1;
FIG. 6 is a second side elevational view of the rearview device of FIG. 1;
FIG. 7 is a top plan view of the rearview device of FIG. 1; and,
FIG. 8 is a bottom plan view of the rearview device of FIG. 1.

1 Claim, 7 Drawing Sheets



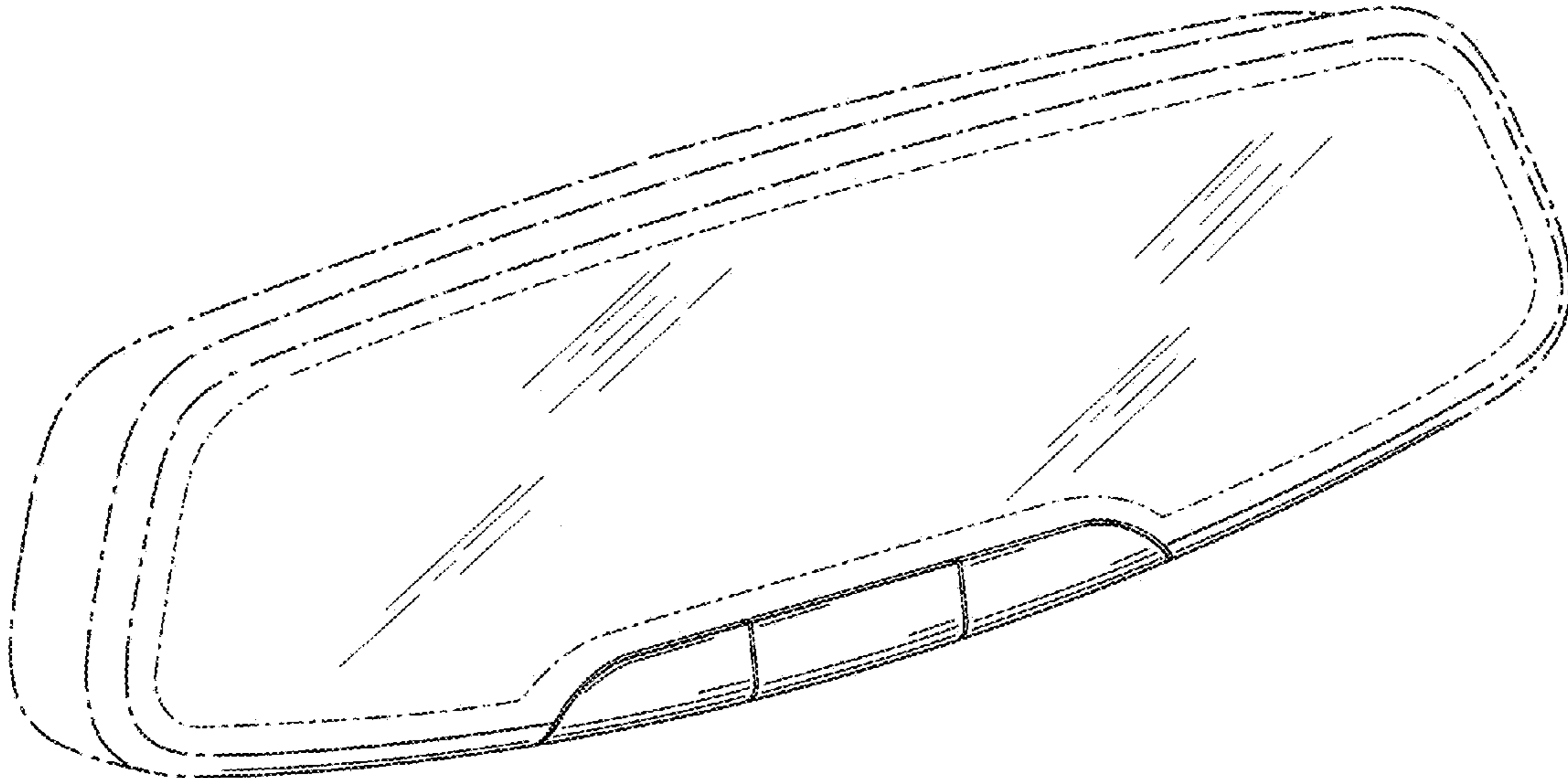


FIG. 1

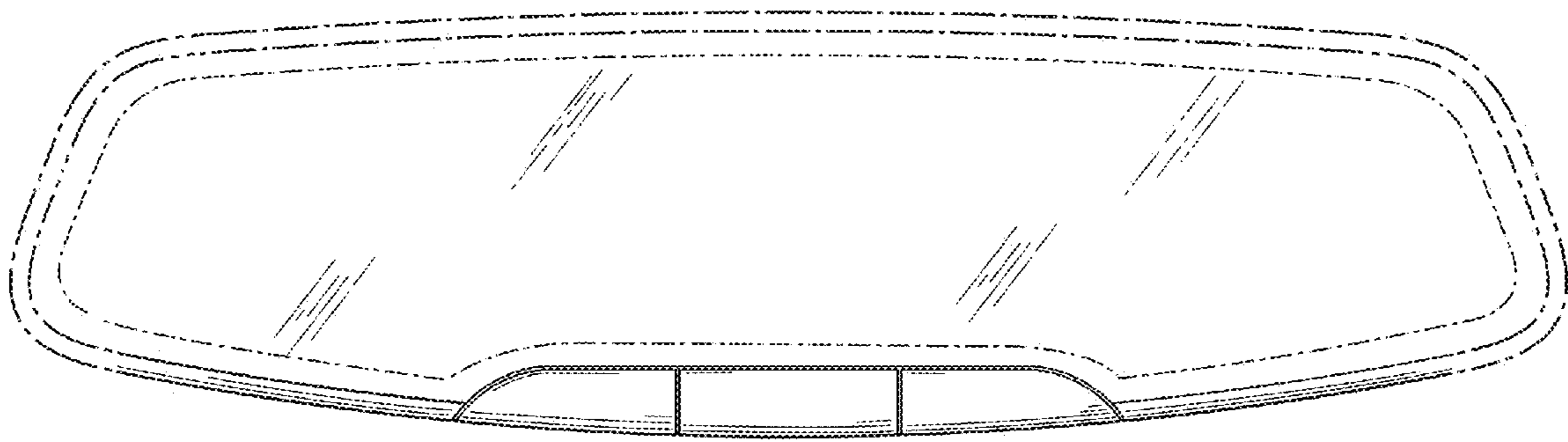


FIG. 2

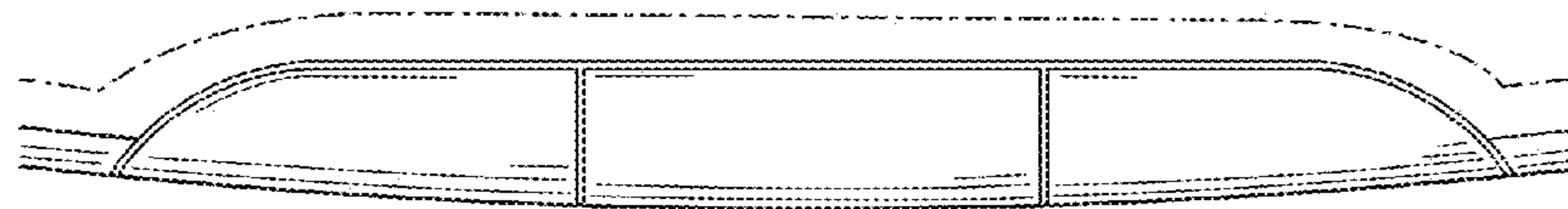


FIG. 3

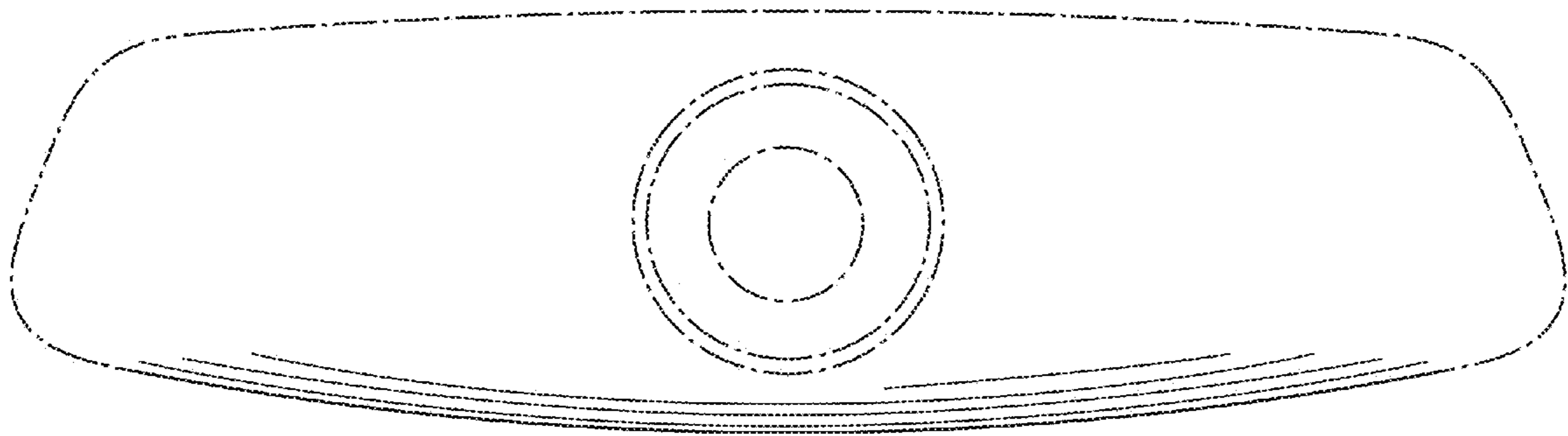


FIG. 4

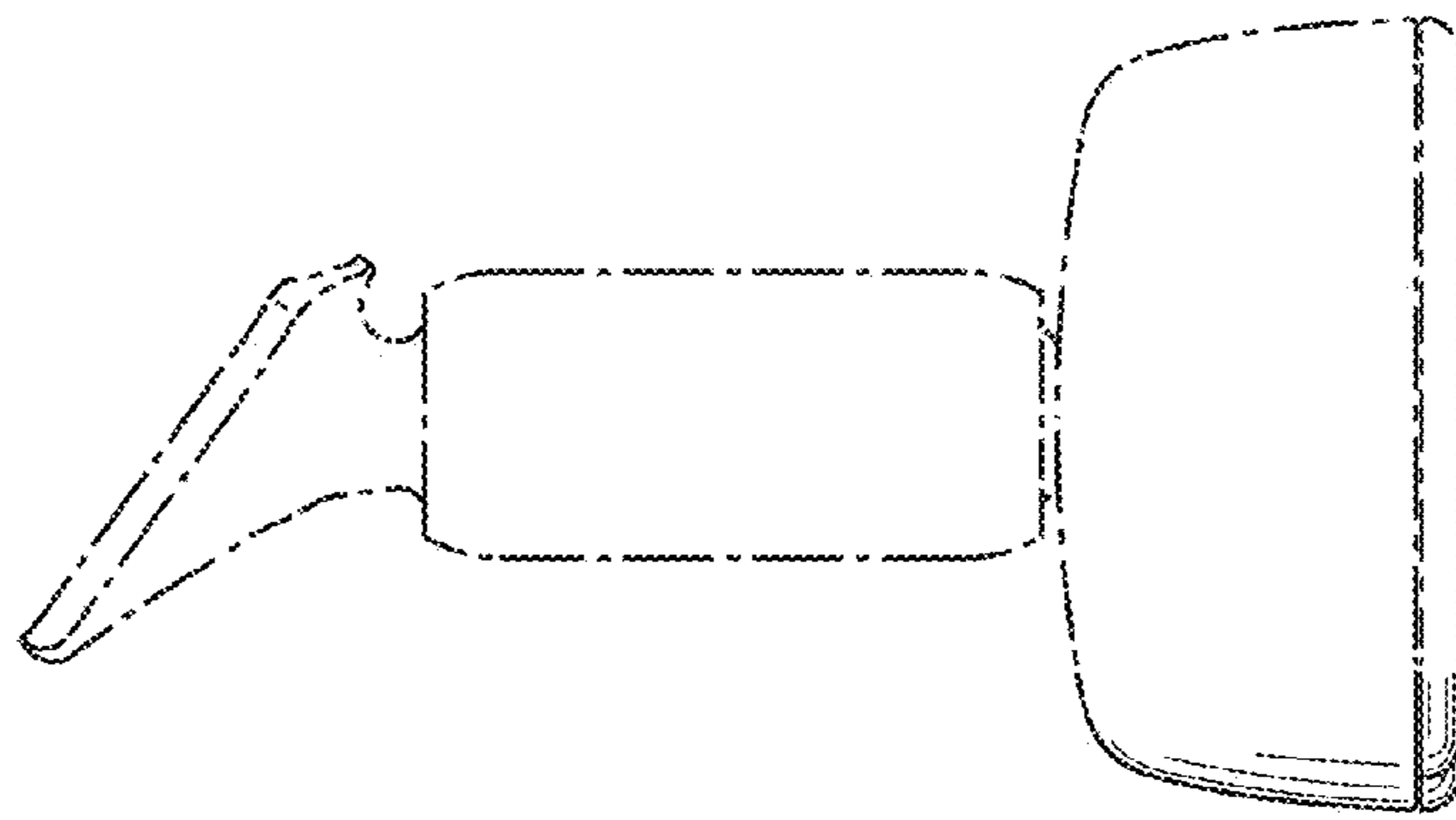


FIG. 5

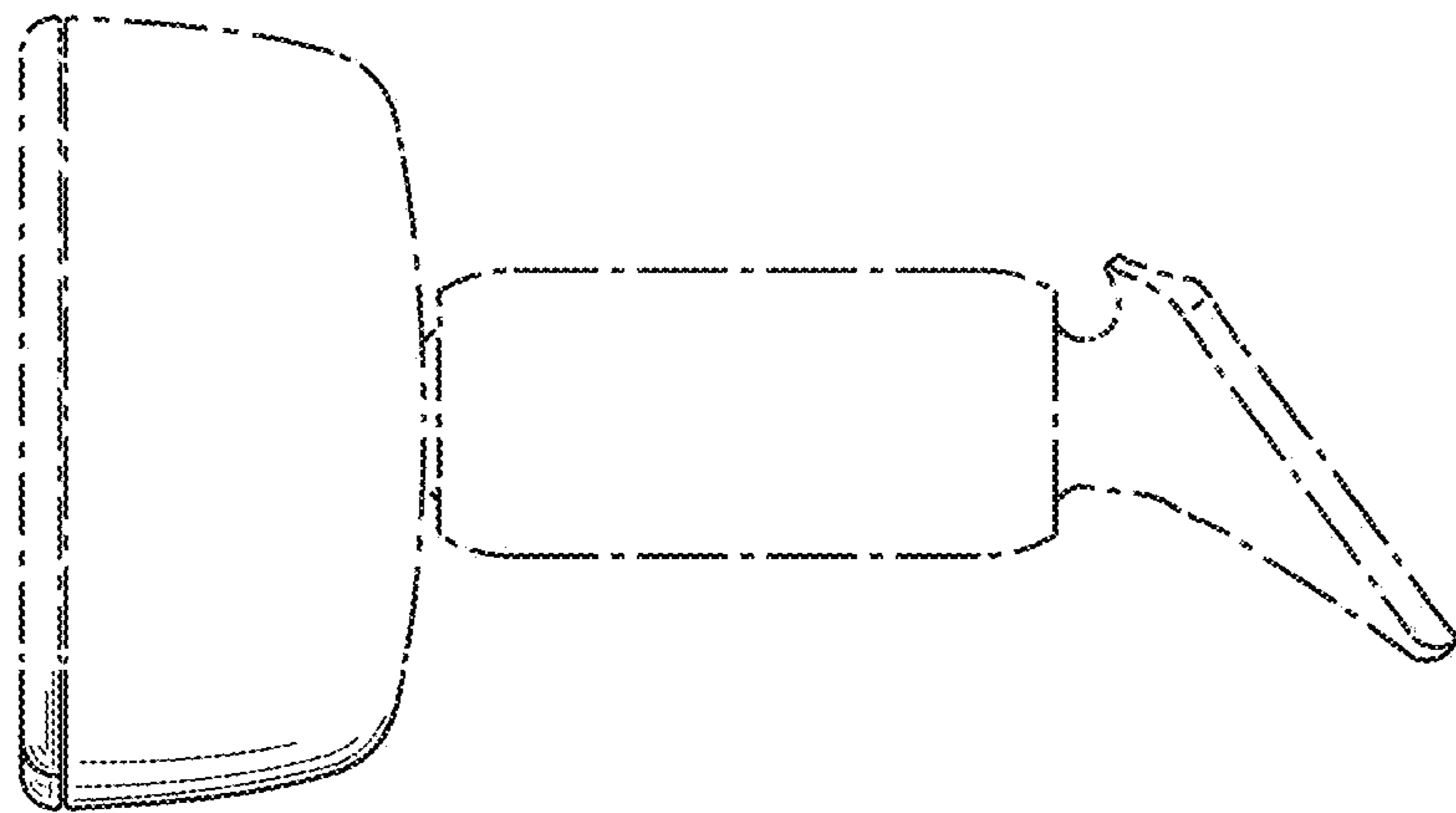


FIG. 6

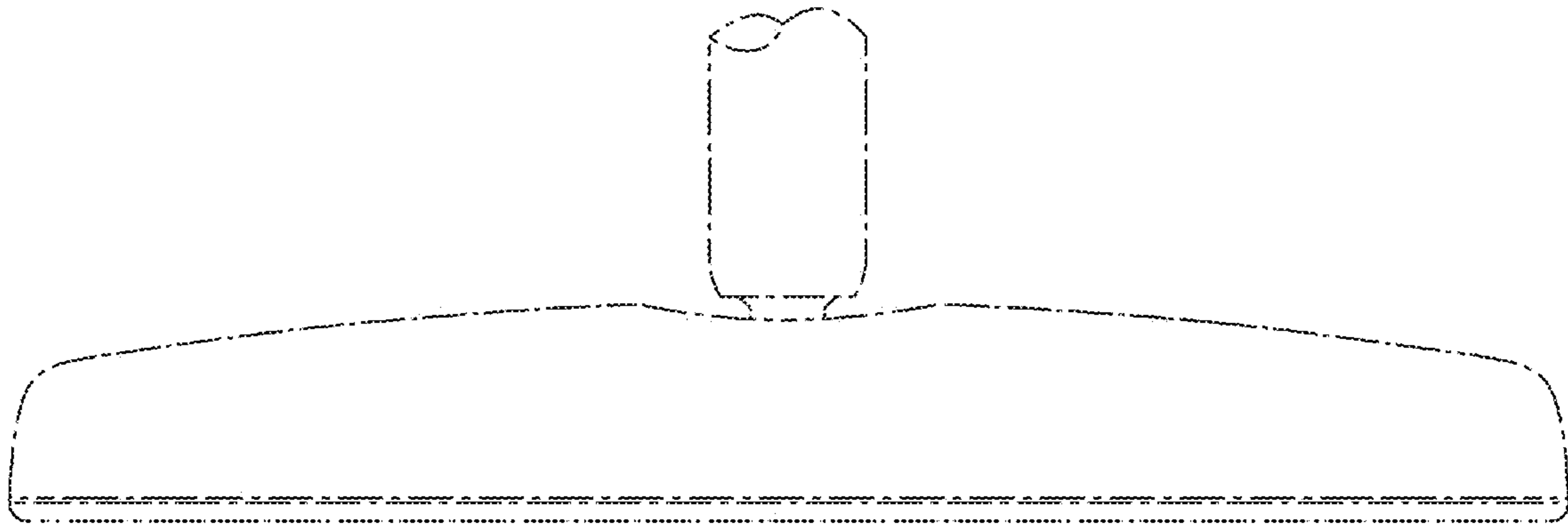


FIG. 7

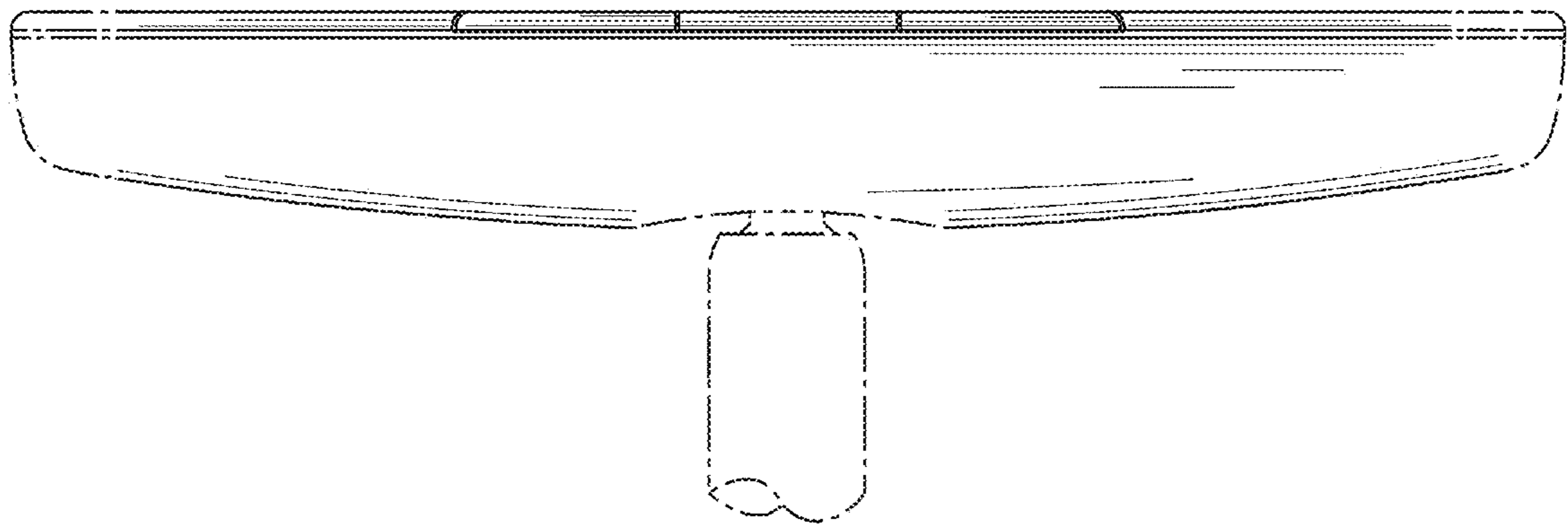


FIG. 8