



US00D72555S

(12) **United States Design Patent**  
**Wolff et al.**

(10) **Patent No.:** **US D725,555 S**  
(45) **Date of Patent:** **\*\* Mar. 31, 2015**

(54) **VEHICLE FRONT UPPER GRILLE**

(71) Applicant: **Ford Motor Company**, Dearborn, MI (US)

(72) Inventors: **Max Wolff**, Birmingham, MI (US);  
**James Everett Grake**, Beverly Hills, MI (US); **George Bucher**, Dearborn, MI (US); **Soohyoung Kim**, Northville, MI (US)

(73) Assignee: **Ford Motor Company**, Dearborn, MI (US)

(\*\*) Term: **14 Years**

(21) Appl. No.: **29/480,133**

(22) Filed: **Jan. 23, 2014**

(51) **LOC (10) Cl.** ..... **12-16**

(52) **U.S. Cl.**  
USPC ..... **D12/163**

(58) **Field of Classification Search**  
USPC ..... D12/163, 196, 86, 90-92, 171, 169, D12/216; 180/68.1, 68.6; 293/193.11  
See application file for complete search history.

(56) **References Cited**

**U.S. PATENT DOCUMENTS**

D545,729 S \* 7/2007 Lee et al. .... D12/163  
D561,653 S \* 2/2008 Platto et al. .... D12/163

D562,193 S \* 2/2008 Platto et al. .... D12/163  
D568,213 S \* 5/2008 Platto et al. .... D12/92  
D578,938 S \* 10/2008 Walter et al. .... D12/163  
D579,385 S \* 10/2008 Schiavone et al. .... D12/163  
7,455,351 B2 \* 11/2008 Nakayama et al. .... 296/193.1  
D596,089 S \* 7/2009 Platto et al. .... D12/163  
D596,540 S \* 7/2009 Hayashi et al. .... D12/163  
D605,989 S \* 12/2009 Leng et al. .... D12/163  
D627,272 S \* 11/2010 Fisker et al. .... D12/163  
7,887,125 B2 \* 2/2011 Tazaki et al. .... 296/193.1  
D640,956 S \* 7/2011 Leahy et al. .... D12/163  
D681,515 S \* 5/2013 Platto et al. .... D12/163  
D691,930 S \* 10/2013 Song et al. .... D12/163  
D703,110 S \* 4/2014 Gueler et al. .... D12/163  
D705,137 S \* 5/2014 Kawasaki .... D12/163

\* cited by examiner

*Primary Examiner* — Melody Brown

(74) *Attorney, Agent, or Firm* — Damian Porcari

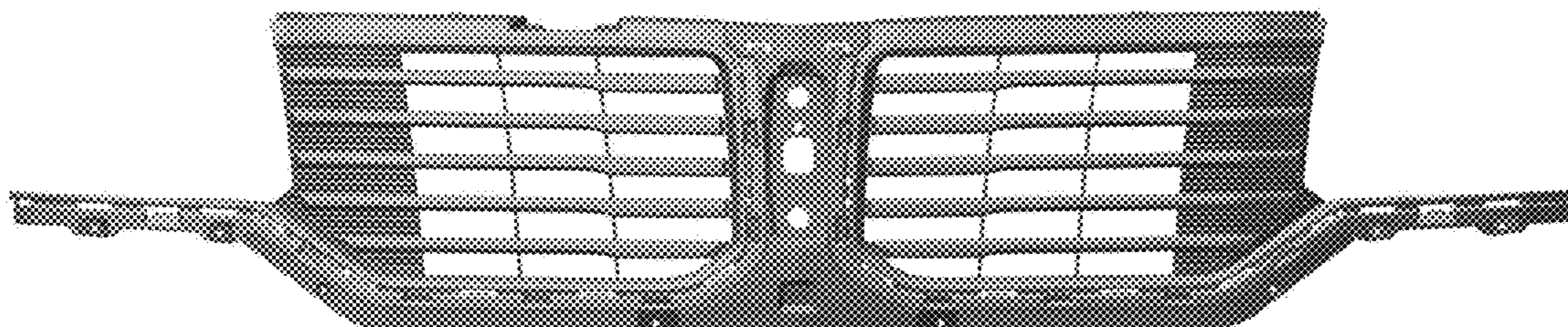
(57) **CLAIM**

The ornamental design for a vehicle front upper grille, as shown and described.

**DESCRIPTION**

FIG. 1 is a perspective view of a vehicle front upper grille; FIG. 2 is another perspective view thereof; FIG. 3 is a front elevational view thereof; FIG. 4 is a left side elevational view thereof; FIG. 5 is a right side elevational view thereof; FIG. 6 is a top plan view thereof; and, FIG. 7 is a bottom plan view thereof.

**1 Claim, 7 Drawing Sheets**



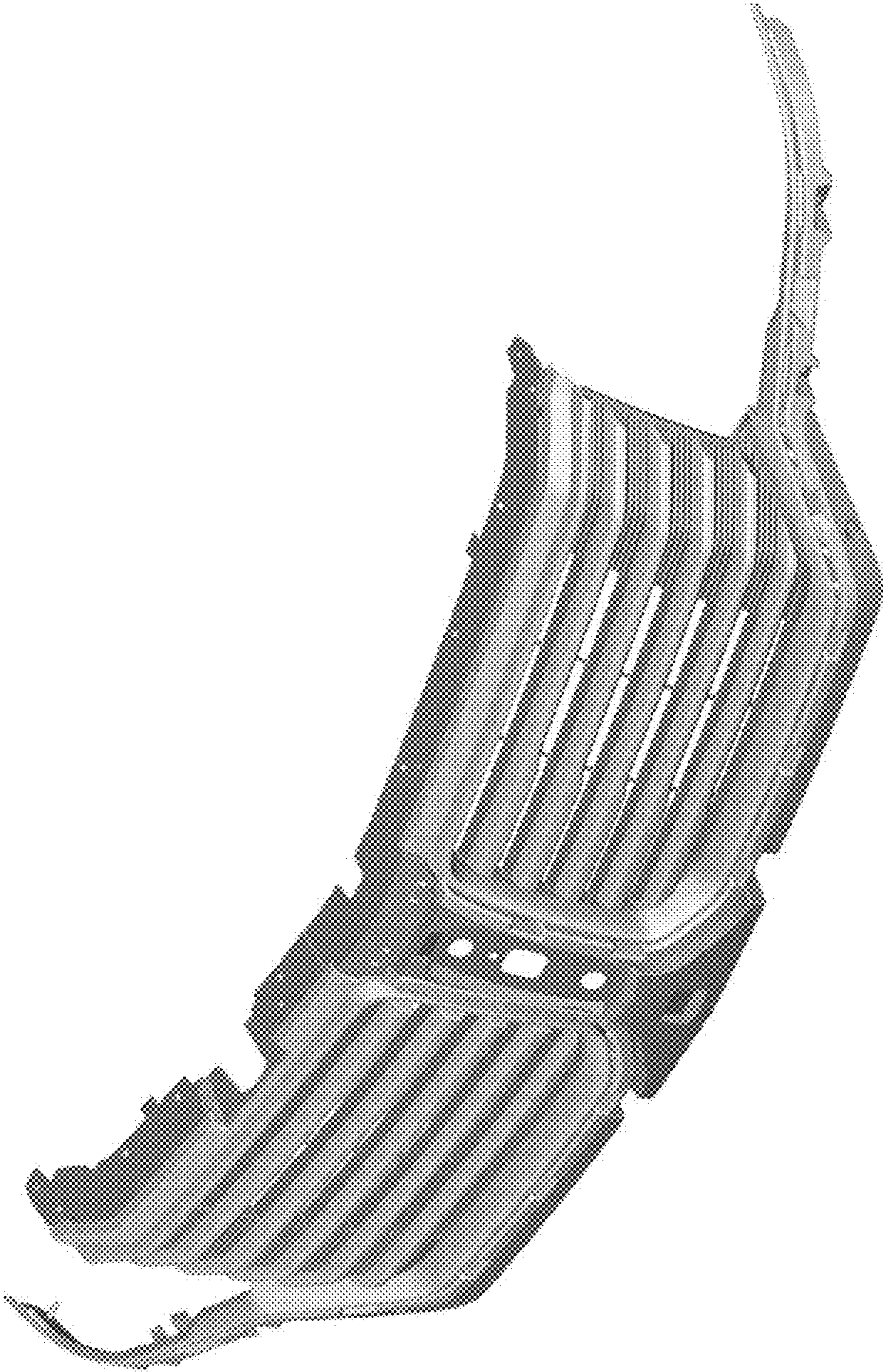


Figure 1



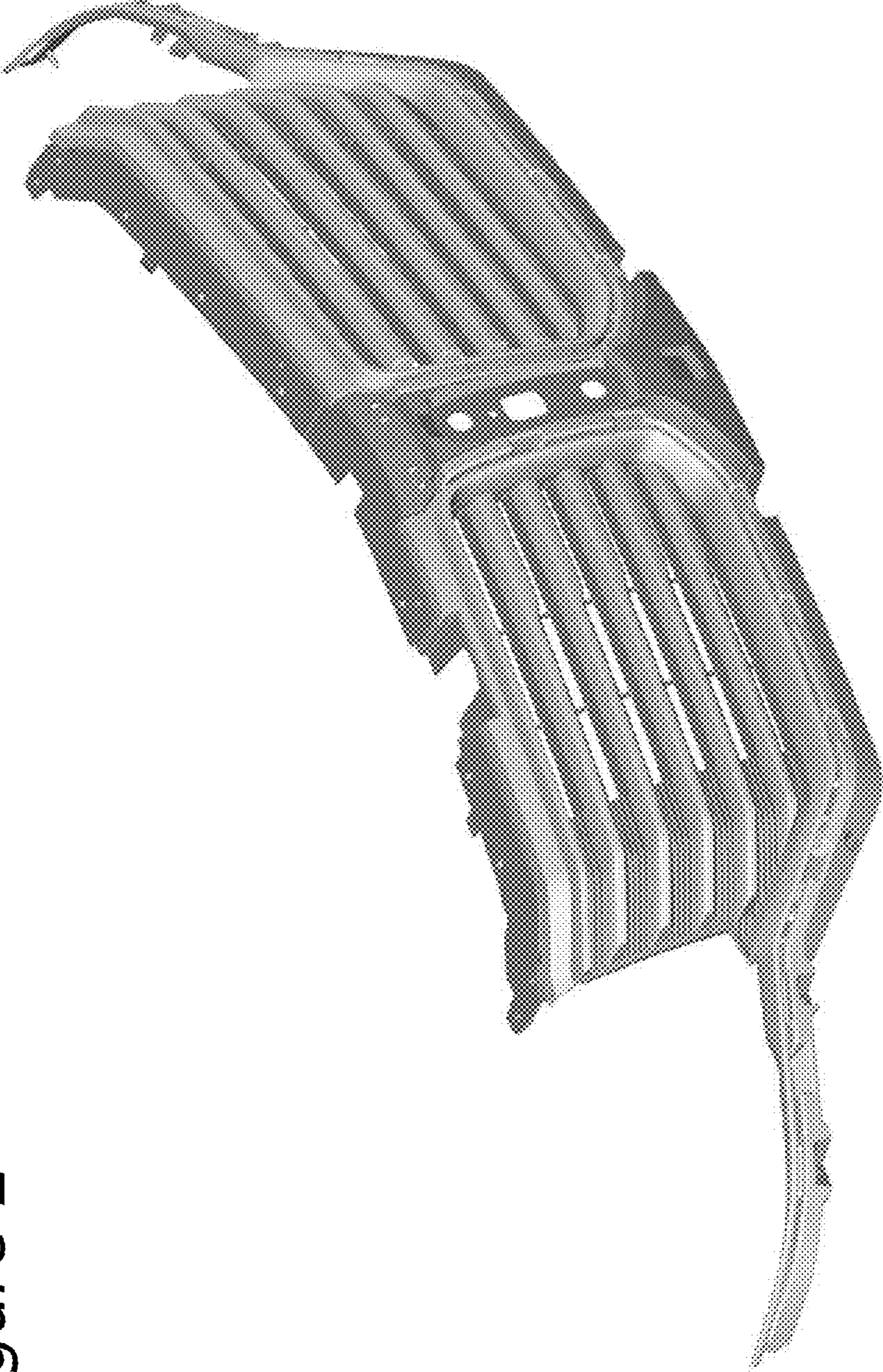


Figure 2



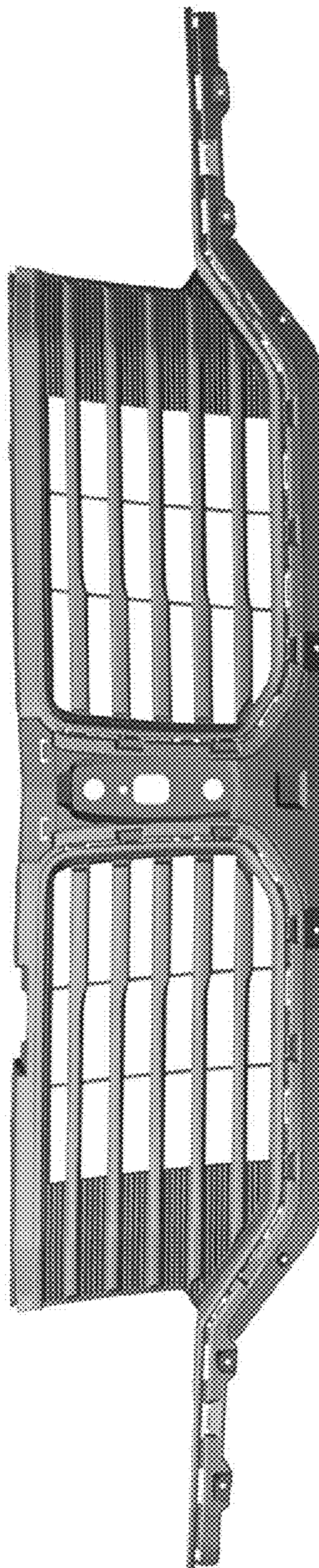


Figure 3

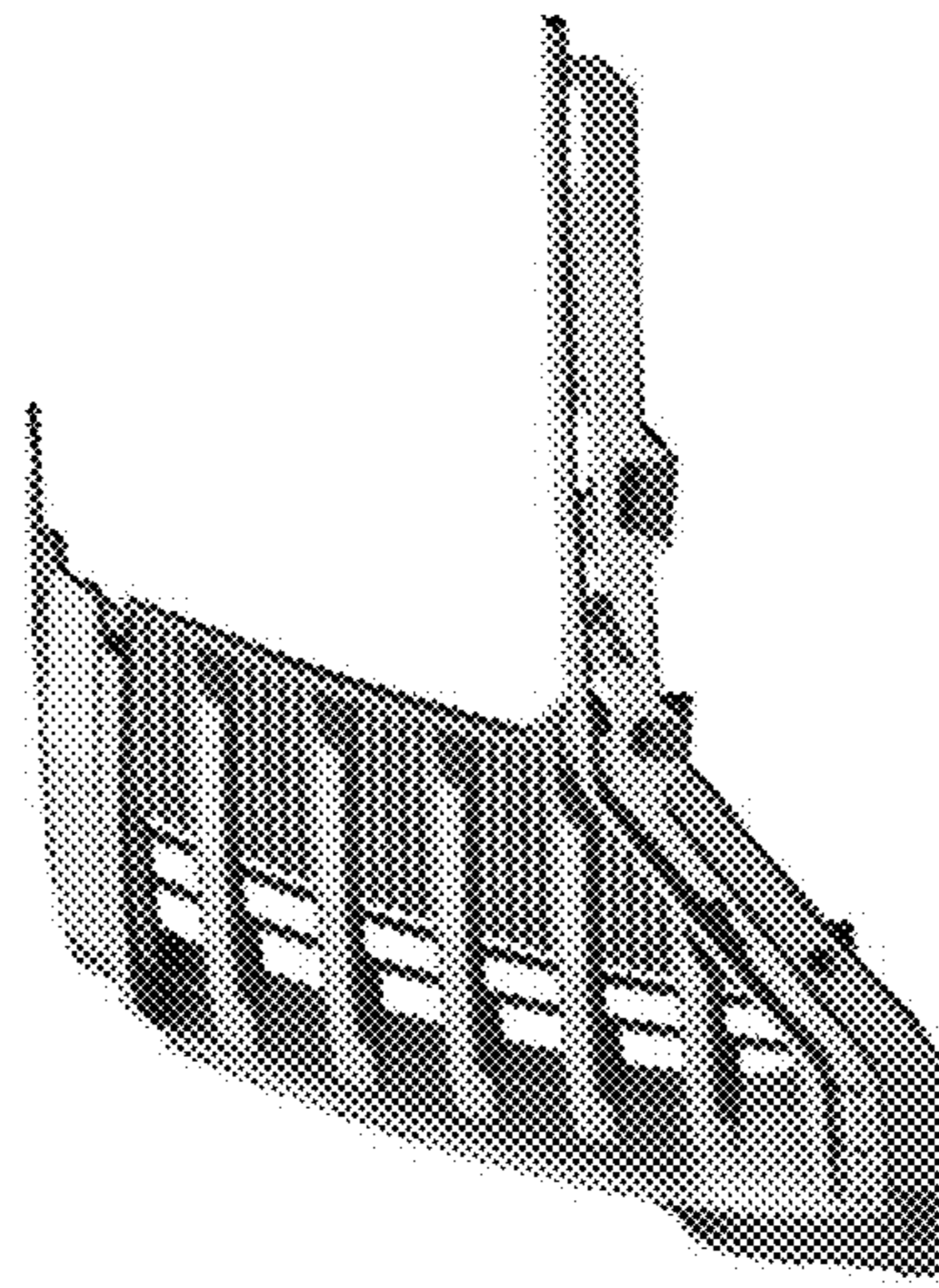


Figure 4

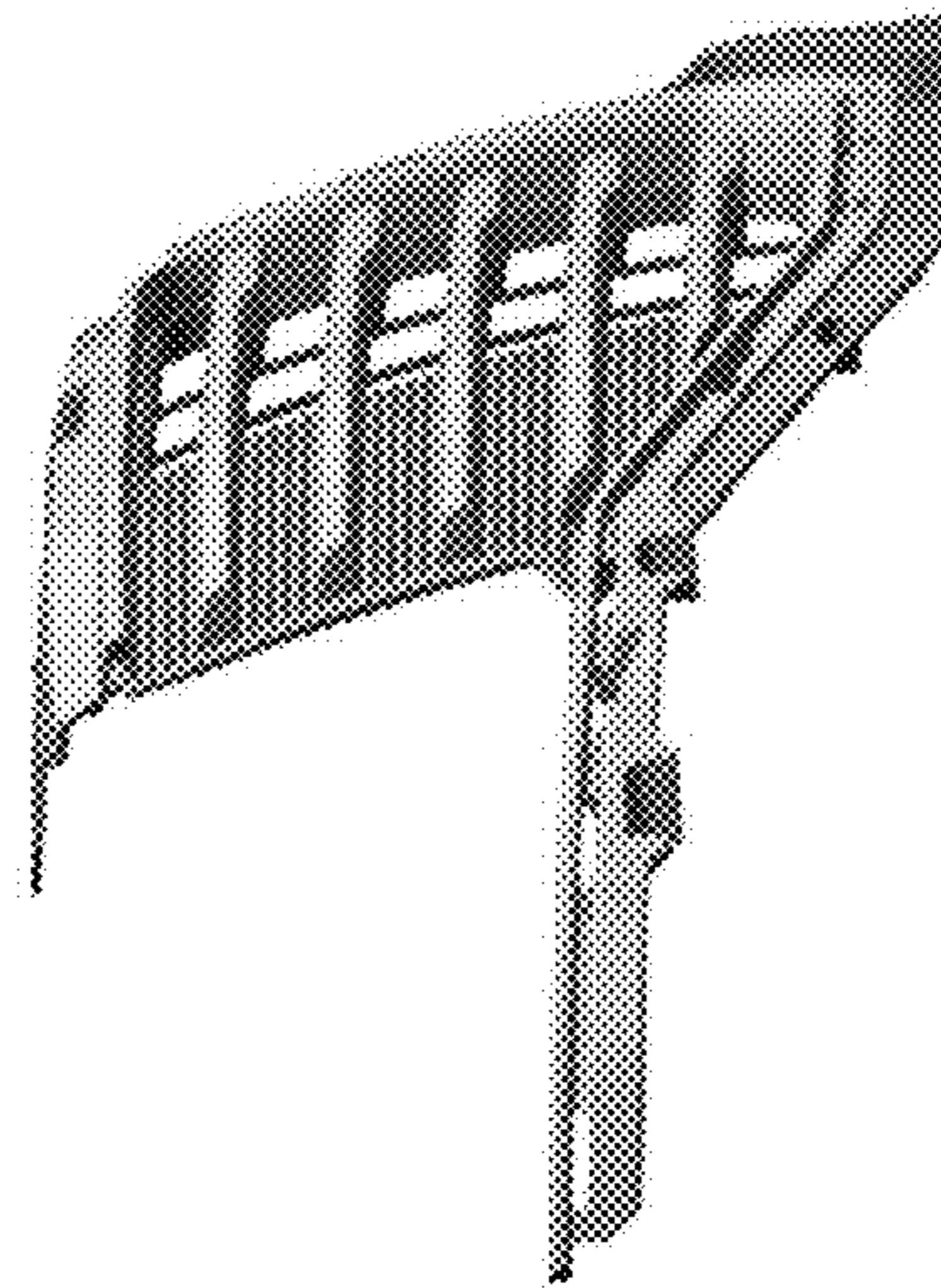


Figure 5



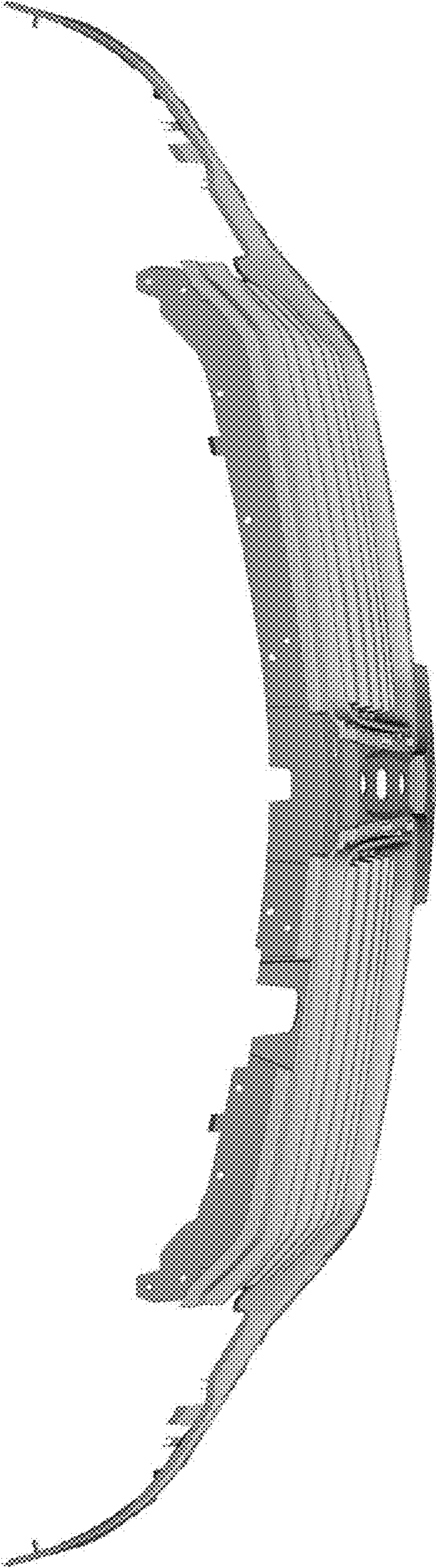


Figure 6

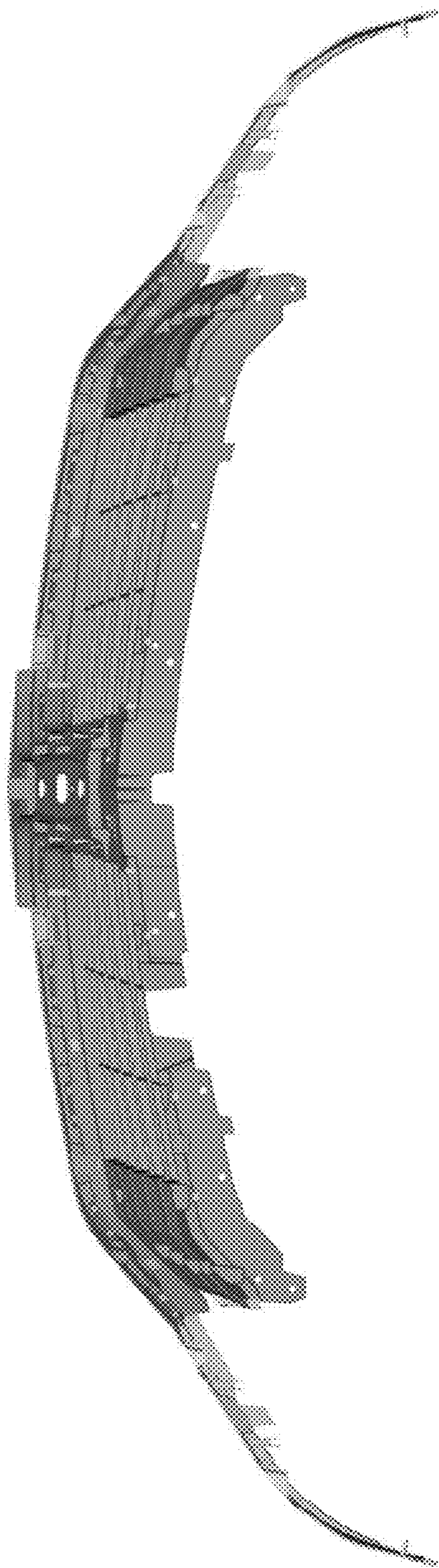


Figure 7