



US00D725554S

(12) **United States Design Patent**  
**Lofgren et al.**

(10) **Patent No.:** **US D725,554 S**  
(45) **Date of Patent:** **\*\* Mar. 31, 2015**

(54) **BATTERY AND DASHBOARD FOR AN ELECTRIC POWERED HANDCYCLE**

(76) Inventors: **Michael Shane Lofgren**, Tualatin, OR (US); **Brian Charles Stewart**, Oregon City, OR (US)

(\*\*) Term: **14 Years**

(21) Appl. No.: **29/418,948**

(22) Filed: **Apr. 24, 2012**

(51) **LOC (10) Cl.** ..... **12-11**

(52) **U.S. Cl.**  
USPC ..... **D12/114**

(58) **Field of Classification Search**  
USPC ..... D9/752; D12/114, 107, 187;  
D13/102-110, 118, 119, 152, 184,  
D13/199; 320/100, 103, 107, 108, 110,  
320/112-115; 429/96-100, 163, 164, 176,  
429/179; D21/696; 280/7.14, 12.1; 482/61  
See application file for complete search history.

(56) **References Cited**

**U.S. PATENT DOCUMENTS**

D440,910 S \* 4/2001 Blackburn, Jr. .... D12/114  
D453,715 S \* 2/2002 Nakazawa et al. .... D12/114

6,501,245 B2 \* 12/2002 Okuda ..... 320/112  
D499,989 S \* 12/2004 Snyder et al. .... D12/114  
D549,138 S \* 8/2007 Tanaka et al. .... D12/114  
D550,592 S \* 9/2007 Wu ..... D12/114  
D569,925 S \* 5/2008 Hanoun ..... D21/696  
D591,368 S \* 4/2009 Olason ..... D21/696  
D608,251 S \* 1/2010 Dill ..... D12/114  
2003/0122330 A1 \* 7/2003 Nelson ..... 280/12.1  
2006/0234840 A1 \* 10/2006 Watson et al. .... 482/61  
2013/0148280 A1 \* 6/2013 Takeno et al. .... 361/679.01  
2013/0241170 A1 \* 9/2013 Talavasek et al. .... 280/279

\* cited by examiner

*Primary Examiner* — Adir Aronovich  
*Assistant Examiner* — Ramzi Almatrahi

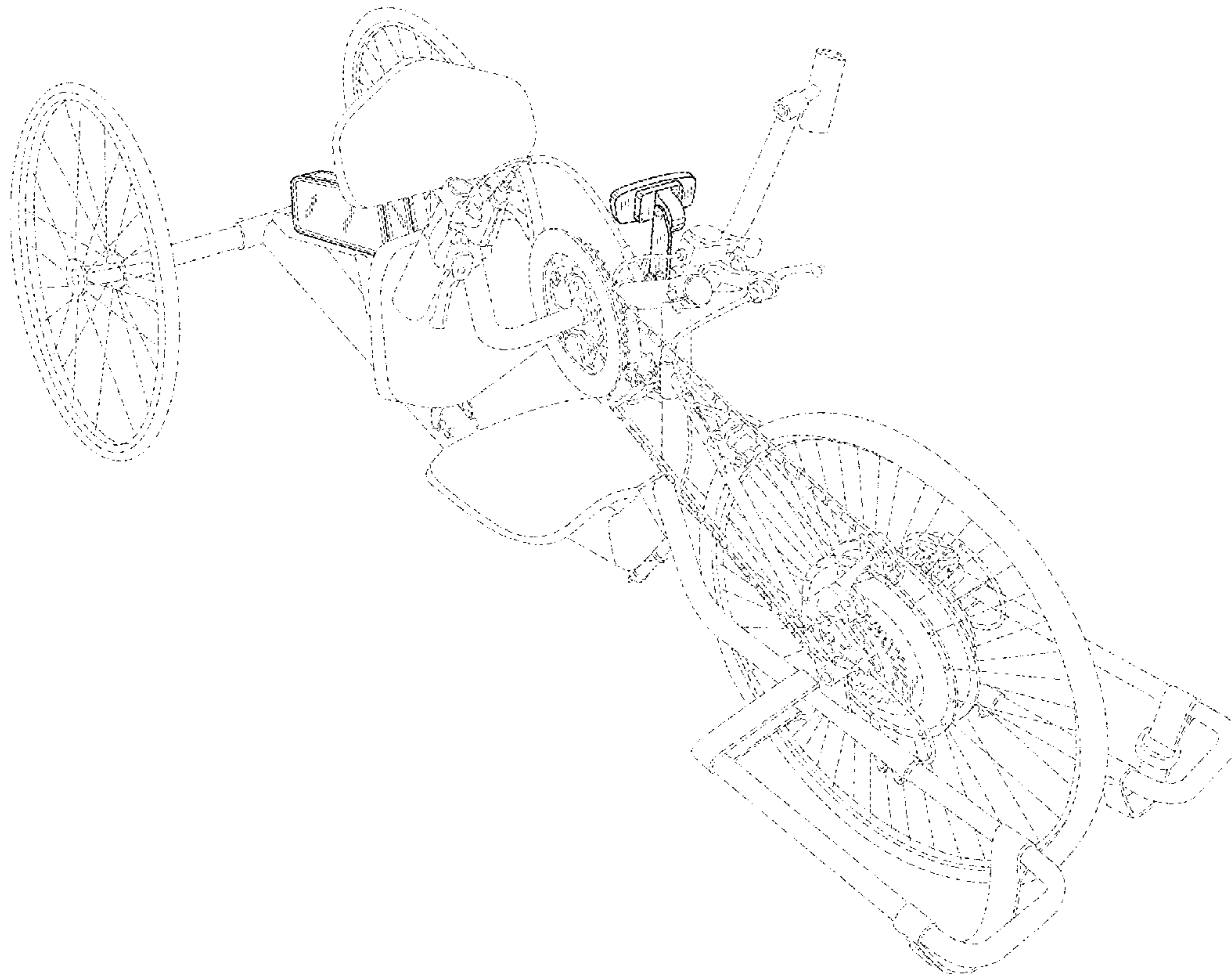
(57) **CLAIM**

The ornamental design for a battery and dashboard for an electric powered handcycle, as shown and described.

**DESCRIPTION**

FIG. 1 is an isometric view of a battery and dashboard for an electric powered handcycle showing our new design;  
FIG. 2 is a bottom view thereof;  
FIG. 3 is a right side elevational view thereof; and,  
FIG. 4 is a left side elevational view thereof.  
The broken lines in the drawings are included for the purpose of illustrating environmental subject matter and form no part of the claimed design.

**1 Claim, 4 Drawing Sheets**



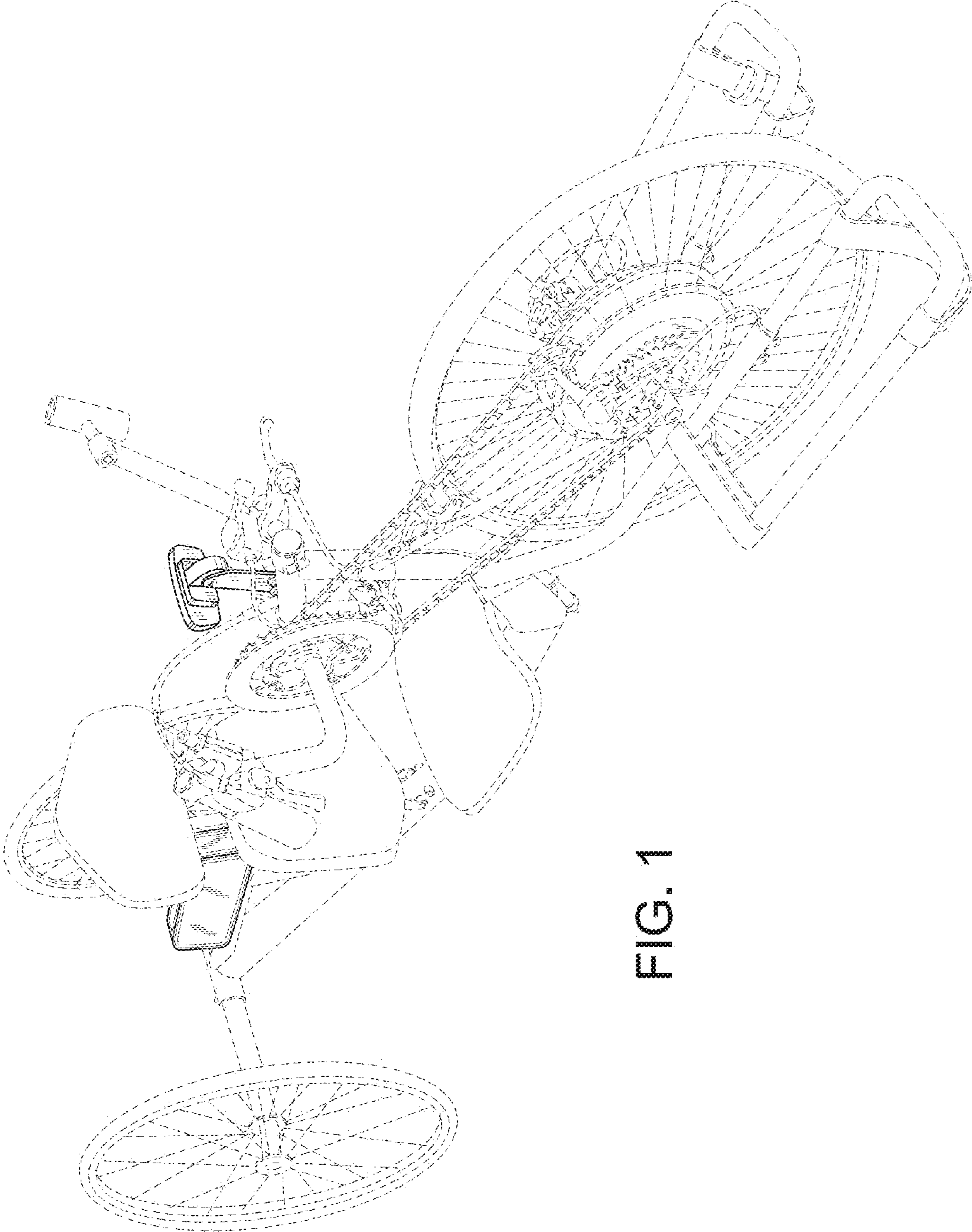


FIG. 1

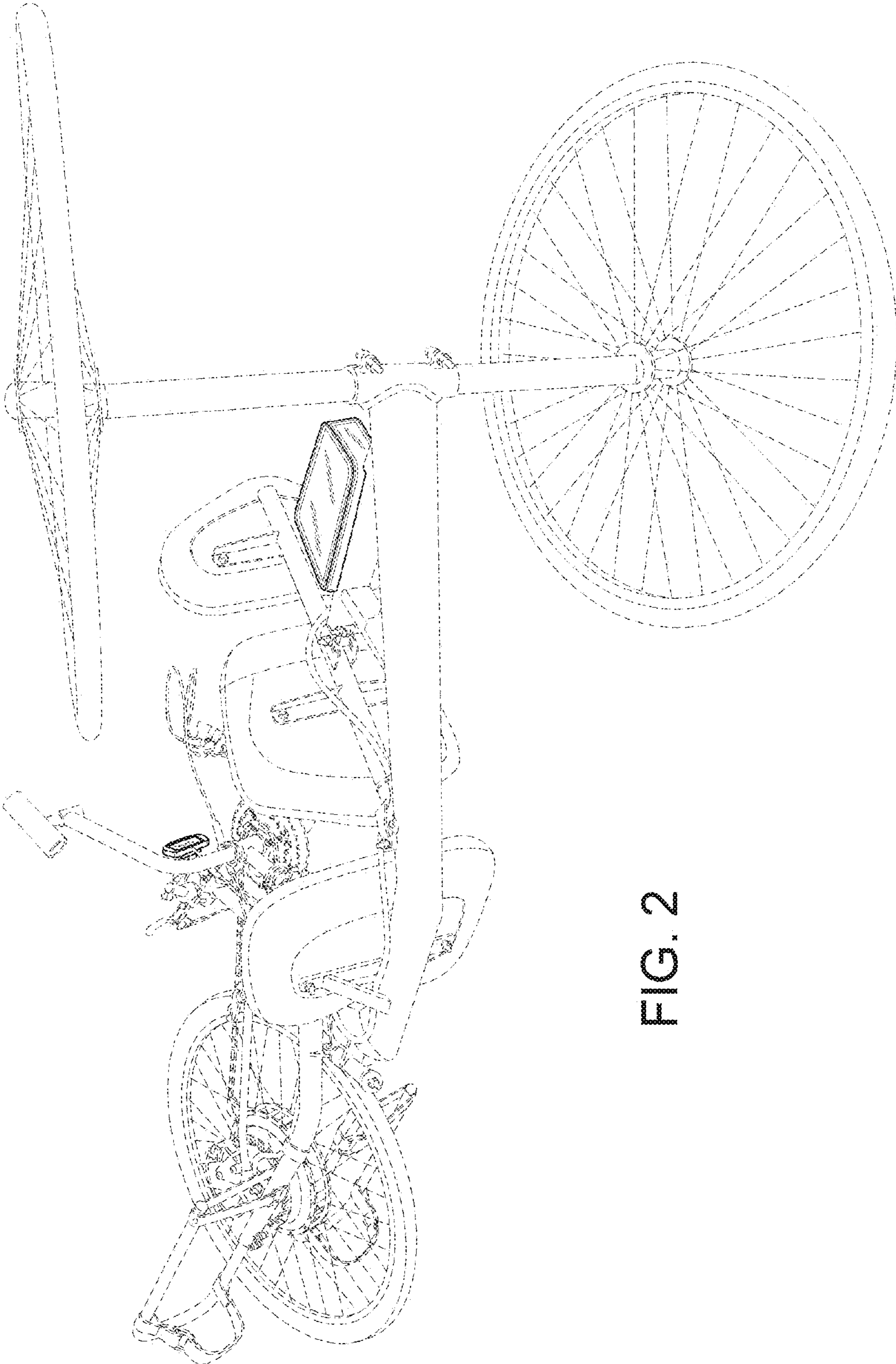


FIG. 2



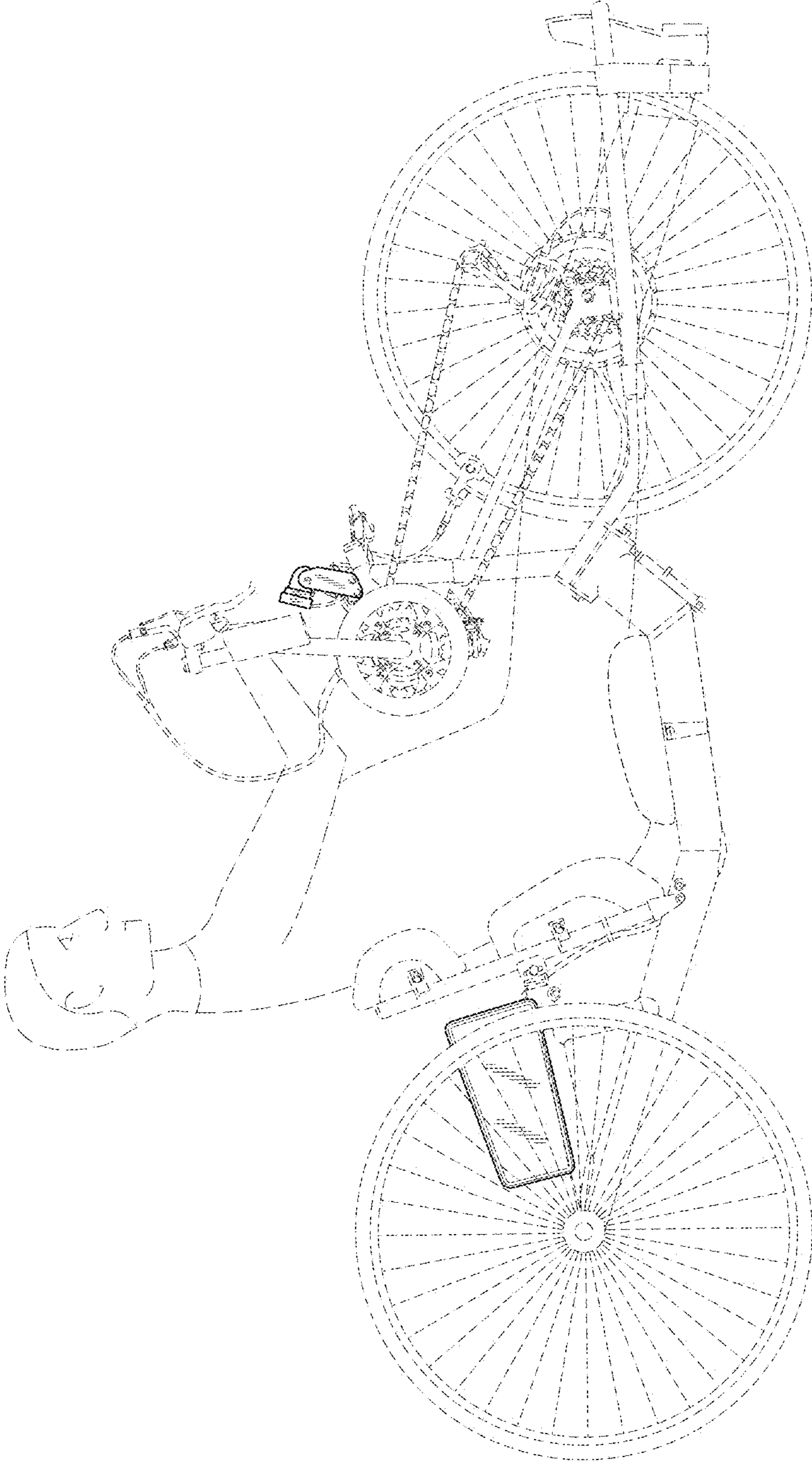


FIG. 3

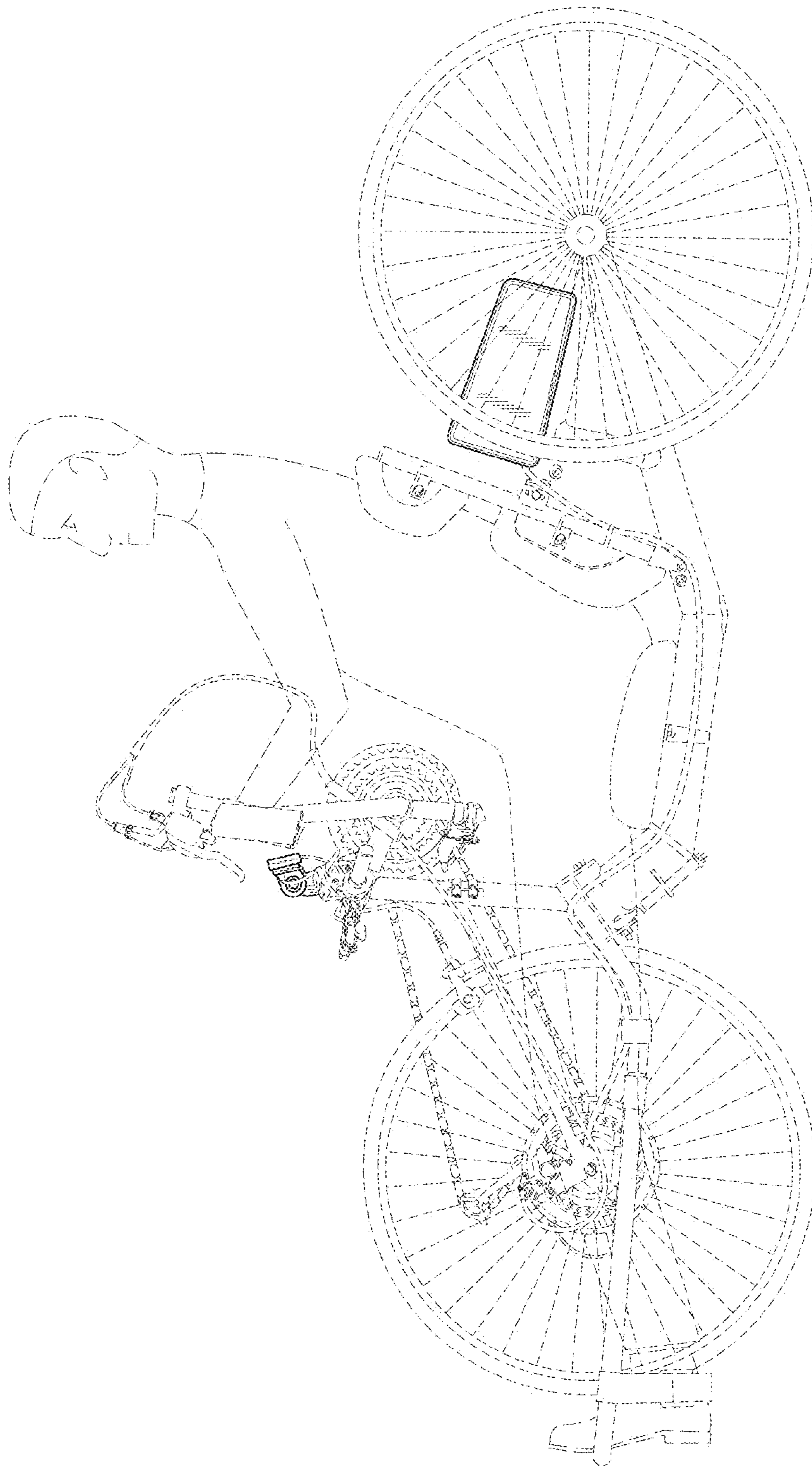


FIG. 4