



US00D725550S

(12) **United States Design Patent**
Wolff et al.

(10) **Patent No.:** **US D725,550 S**
(45) **Date of Patent:** **** Mar. 31, 2015**

(54) **VEHICLE EXTERIOR**

(71) Applicant: **Ford Motor Company**, Dearborn, MI (US)
(72) Inventors: **Max Wolff**, Birmingham, MI (US);
James Everett Grake, Beverly Hills, MI (US); **George Bucher**, Dearborn, MI (US); **Soohyoung Kim**, Northville, MI (US); **Michael Edward Smith**, Plymouth, MI (US)
(73) Assignee: **Ford Motor Company**, Dearborn, MI (US)

(**) Term: **14 Years**

(21) Appl. No.: **29/480,144**

(22) Filed: **Jan. 23, 2014**

(51) **LOC (10) Cl.** **12-08**

(52) **U.S. Cl.**
USPC **D12/91**

(58) **Field of Classification Search**
USPC D12/86, 90-92; D21/421, 433, 434;
296/181.1, 181.5

See application file for complete search history.

(56) **References Cited**

U.S. PATENT DOCUMENTS

D693,737 S * 11/2013 Hammoud et al. D12/91
D704,098 S * 5/2014 Gueler et al. D12/91
D706,171 S * 6/2014 Bischoff et al. D12/91
D716,696 S * 11/2014 Thole et al. D12/91

* cited by examiner

Primary Examiner — Melody N Brown

(74) *Attorney, Agent, or Firm* — Damian Porcari

(57) **CLAIM**

The ornamental design for a vehicle exterior, as shown and described.

DESCRIPTION

FIG. 1 is a perspective view of a vehicle exterior;
FIG. 2 is a another perspective view thereof;
FIG. 3 is a front elevational view thereof;
FIG. 4 is a rear elevational view thereof;
FIG. 5 is a left side elevational view thereof;
FIG. 6 is a right side elevational view thereof; and,
FIG. 7 is a top plan view thereof.

1 Claim, 7 Drawing Sheets





Figure 1

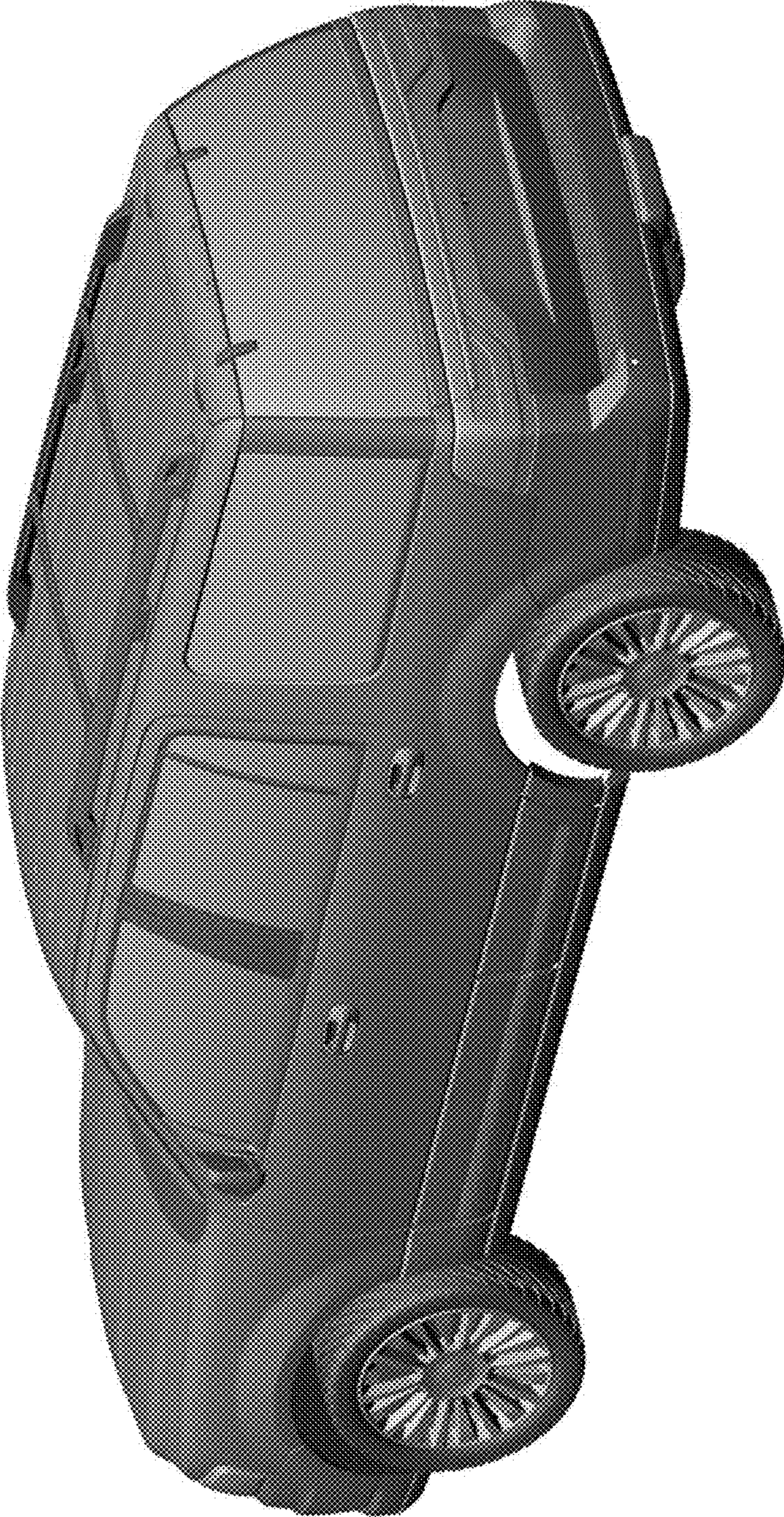


Figure 2



Figure 3

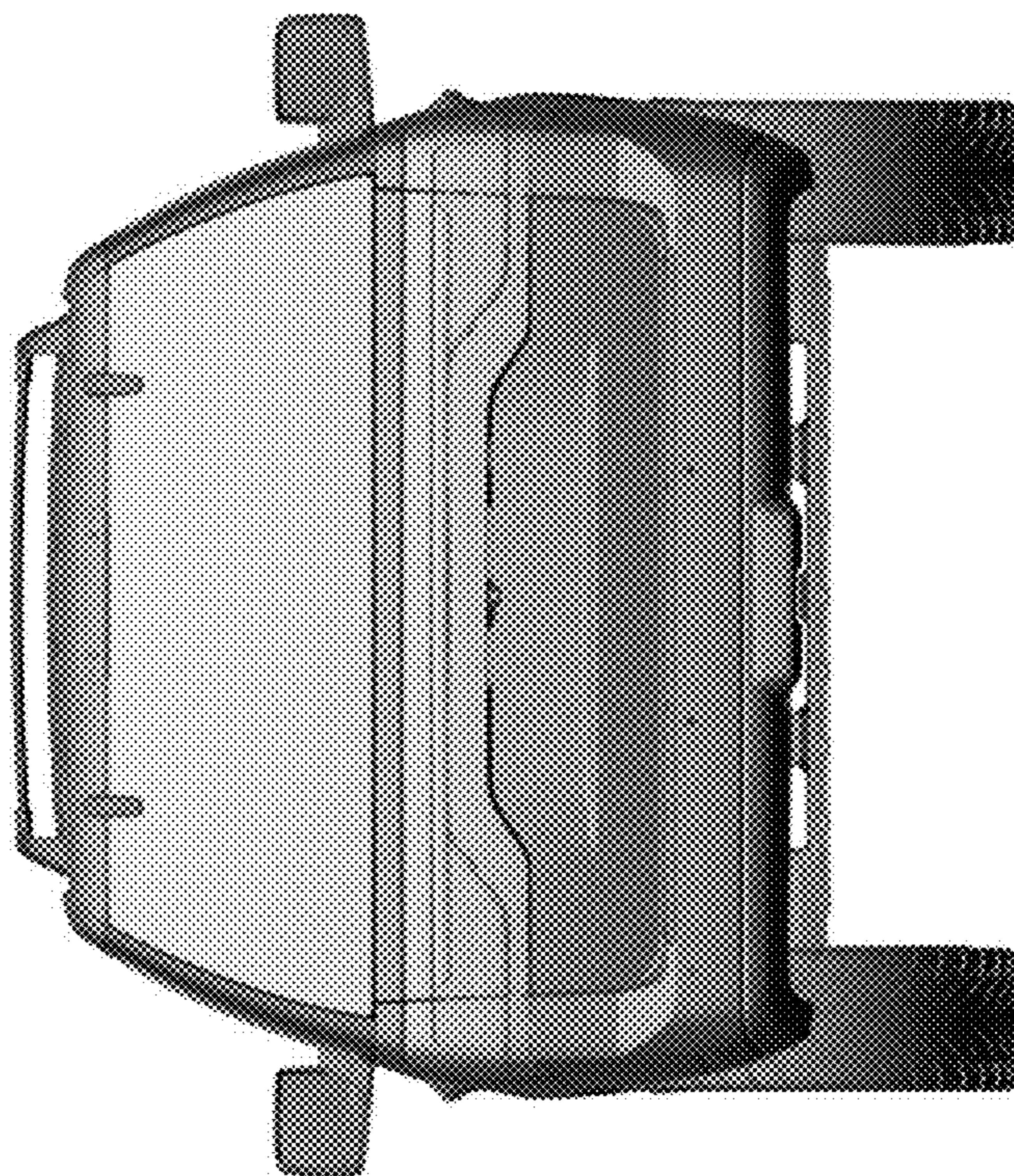


Figure 4



Figure 5

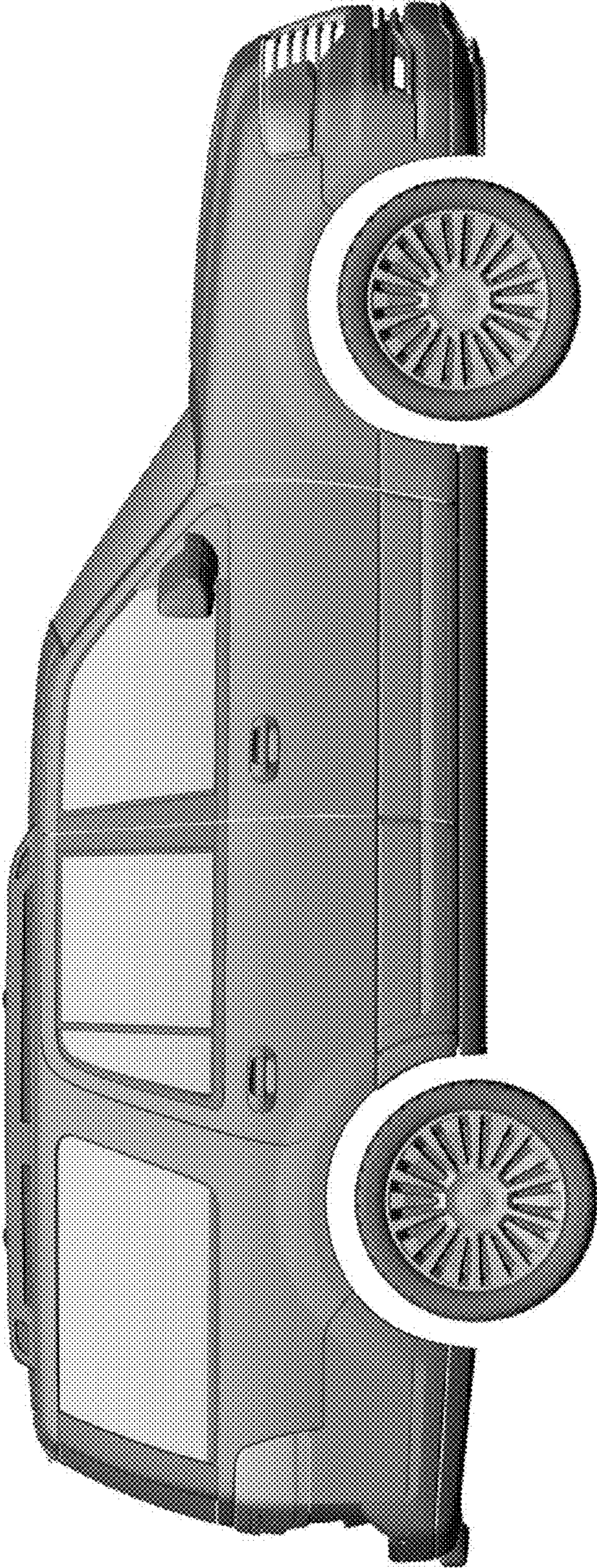


Figure 6

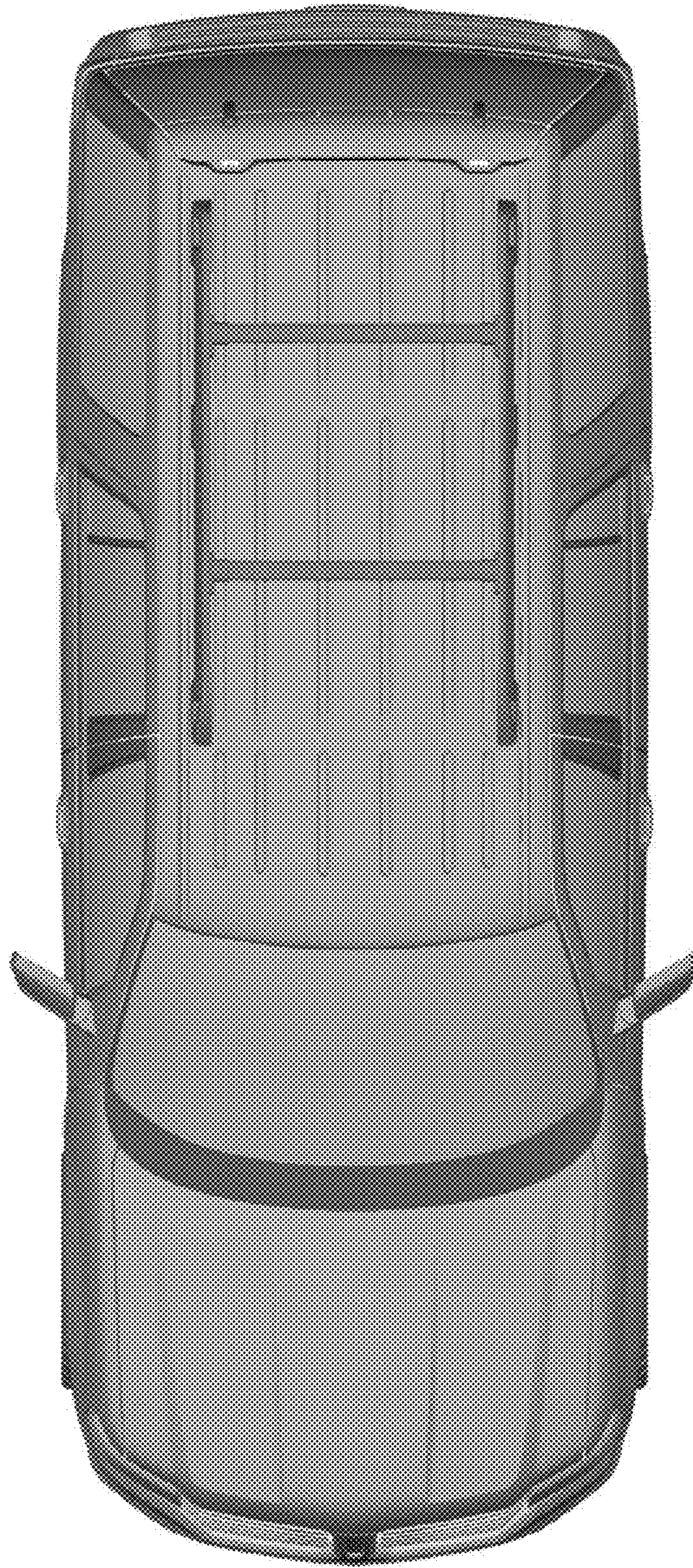


Figure 7