



US00D725549S

(12) **United States Design Patent**  
**Koizumi et al.**

(10) **Patent No.:** **US D725,549 S**  
(45) **Date of Patent:** **\*\* Mar. 31, 2015**

(54) **AUTOMOBILE AND/OR TOY REPLICA THEREOF**

(71) Applicant: **Nissan Motor Co., Ltd.**, Yokohama, Kanagawa (JP)

(72) Inventors: **Kenichiro Koizumi**, Tokyo (JP); **Randy Rodriguez**, San Diego, CA (US)

(73) Assignee: **Nissan Motor Co., Ltd.**, Yokohama (JP)

(\*\*) Term: **14 Years**

(21) Appl. No.: **29/476,499**

(22) Filed: **Dec. 13, 2013**

(30) **Foreign Application Priority Data**

Jun. 19, 2013 (JP) ..... 2013-013826

(51) **LOC (10) Cl.** ..... **12-08**

(52) **U.S. Cl.**  
USPC ..... **D12/86**

(58) **Field of Classification Search**  
CPC ..... B62D 35/00  
USPC ..... D12/86, 90-92; D21/421, 433, 434;  
296/181.1, 181.5

See application file for complete search history.

(56) **References Cited**

U.S. PATENT DOCUMENTS

D451,051 S *	11/2001	Walters	.....	D12/86
D620,393 S *	7/2010	Arnell	.....	D12/86
D665,703 S	8/2012	Bowlby		
D668,581 S *	10/2012	Kim et al.	.....	D12/86
D692,799 S *	11/2013	Smith et al.	.....	D12/92
D695,148 S	12/2013	Bowlby		
D705,702 S *	5/2014	Auerbach et al.	.....	D12/92

\* cited by examiner

*Primary Examiner* — Melody N Brown

(74) *Attorney, Agent, or Firm* — Global IP Counselors, LLP

(57) **CLAIM**

The ornamental design for an automobile and/or a toy replica thereof, as shown and described.

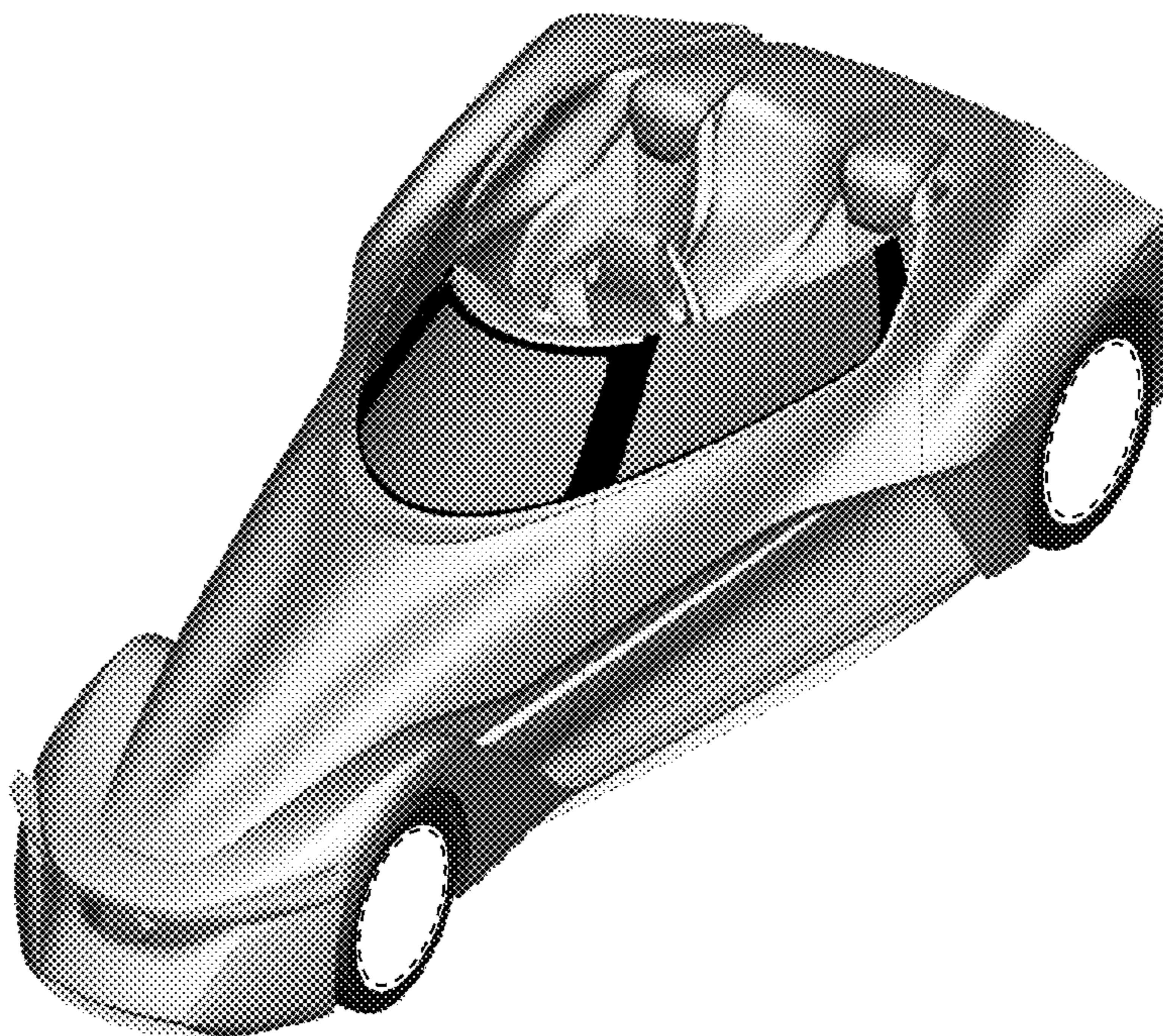
**DESCRIPTION**

FIG. 1 is a front and right side perspective view of an automobile and/or replica thereof showing our new design; FIG. 2 is a rear and left side perspective view thereof; FIG. 3 is a right side elevational view thereof; FIG. 4 is a left side elevational view thereof; FIG. 5 is a top plan view thereof and; FIG. 6 is a front elevational view thereof; and, FIG. 7 is a rear elevational view thereof.

The broken line showing of the automobile and/or the toy replica thereof is for purpose of illustrating environmental structure and forms no part of the claimed design.

The shading of gray in the drawings is provided for purpose of depicting the shape of the three-dimensional article.

**1 Claim, 7 Drawing Sheets**





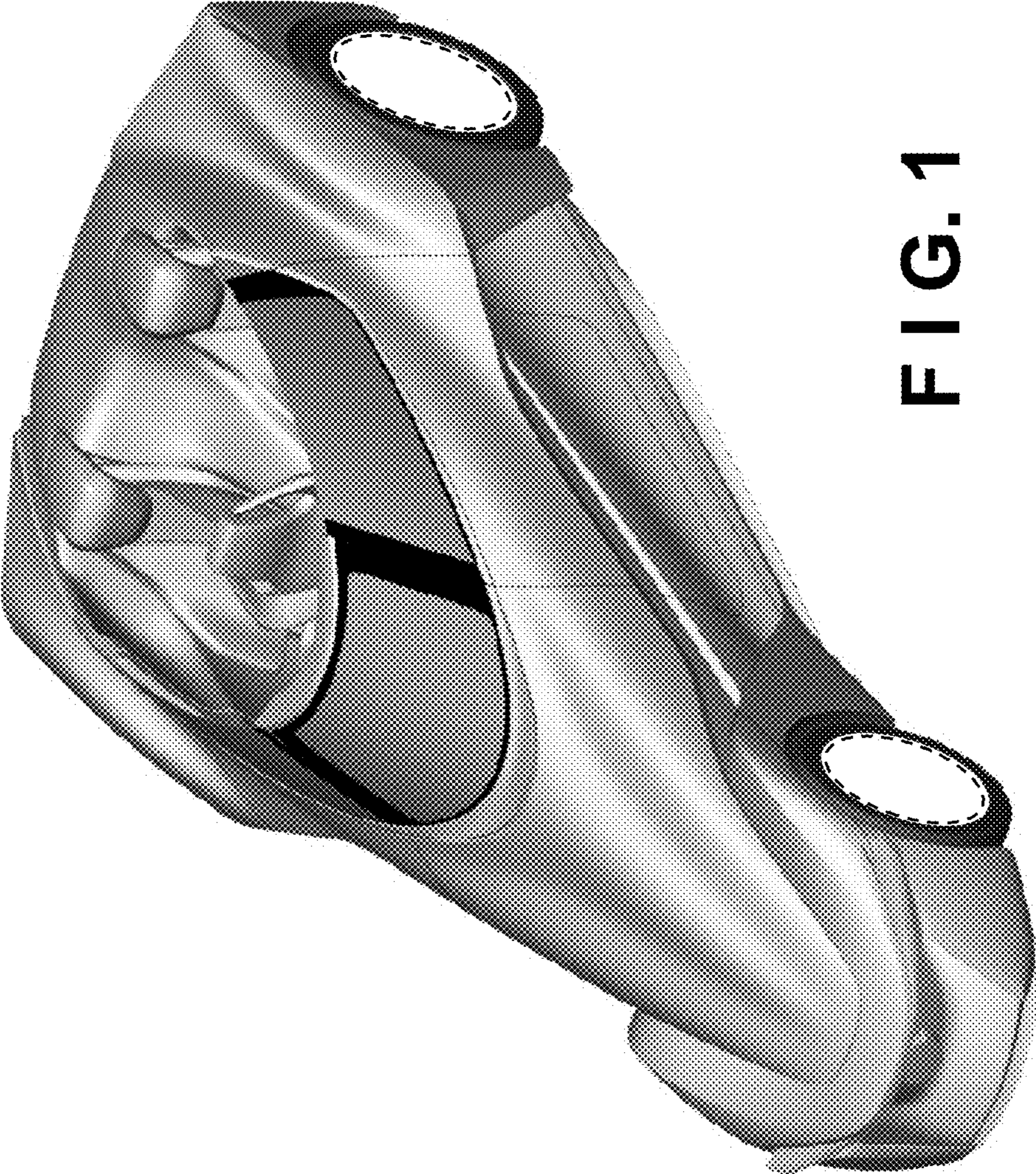


FIG. 1



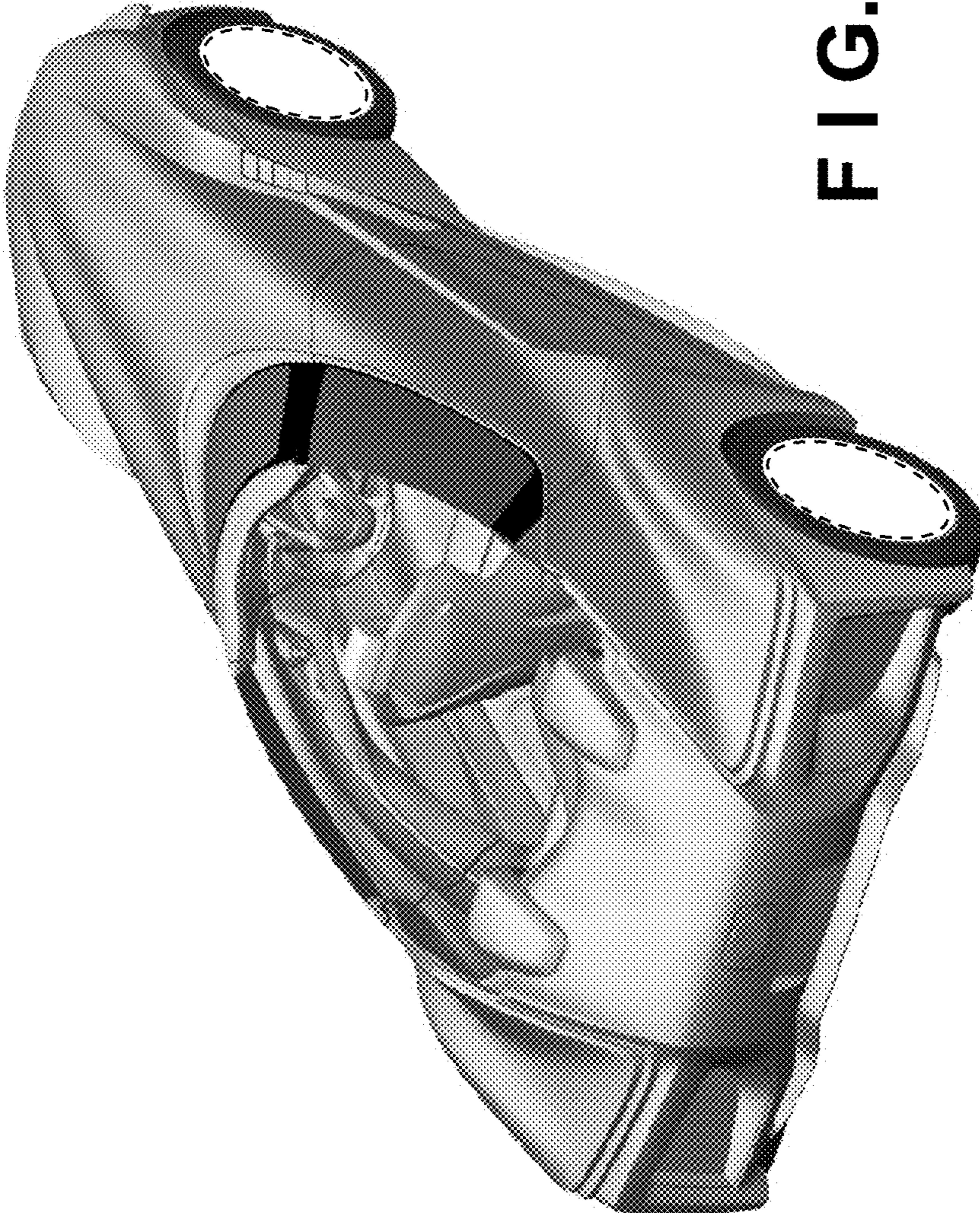


FIG.2



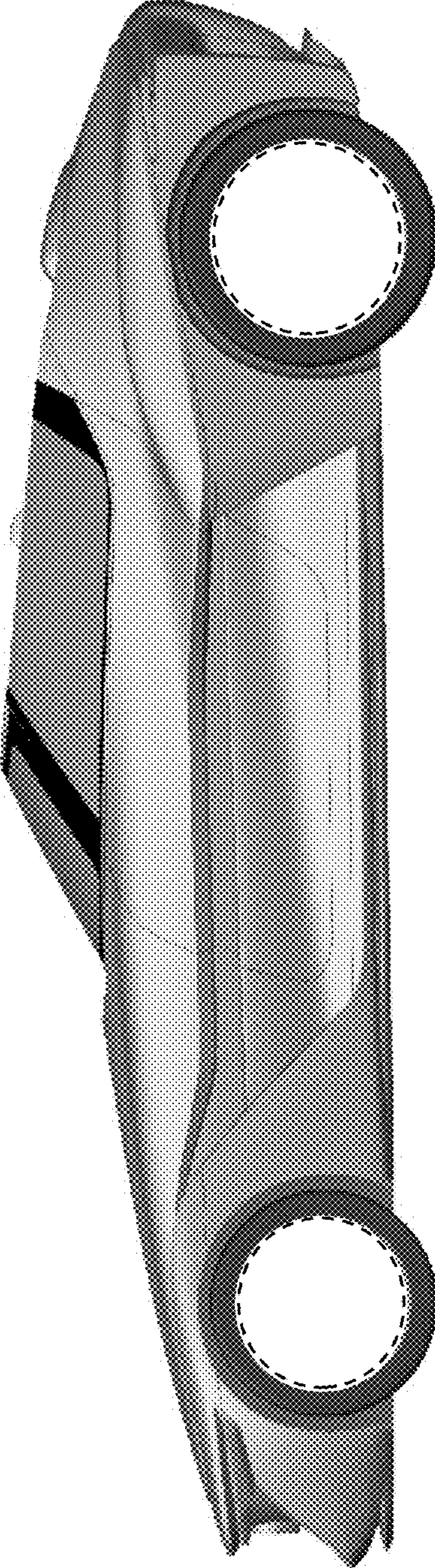


FIG. 3

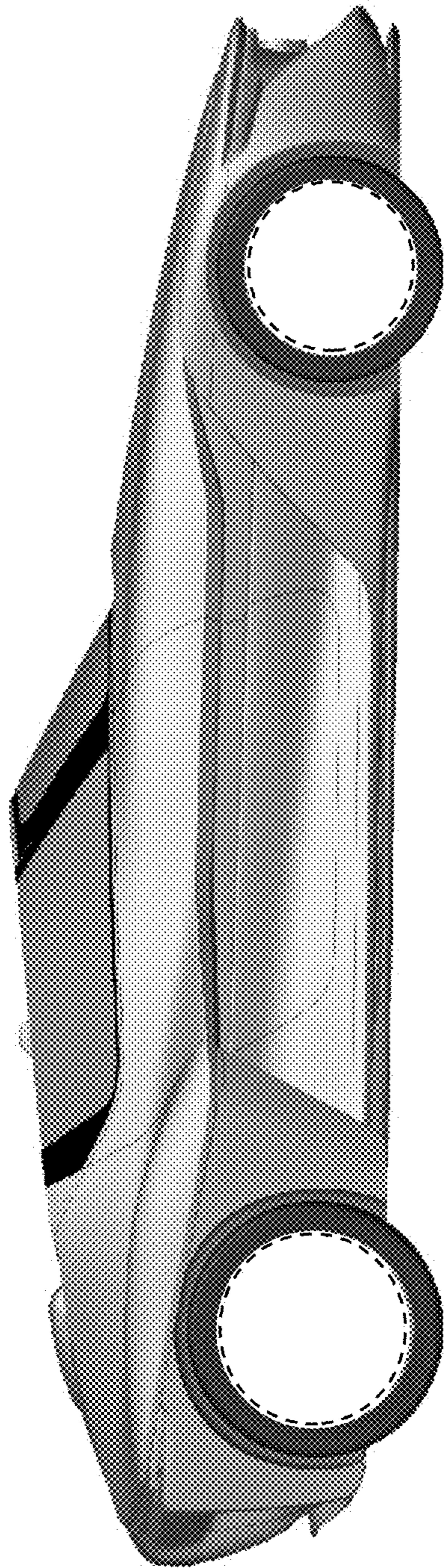


FIG. 4



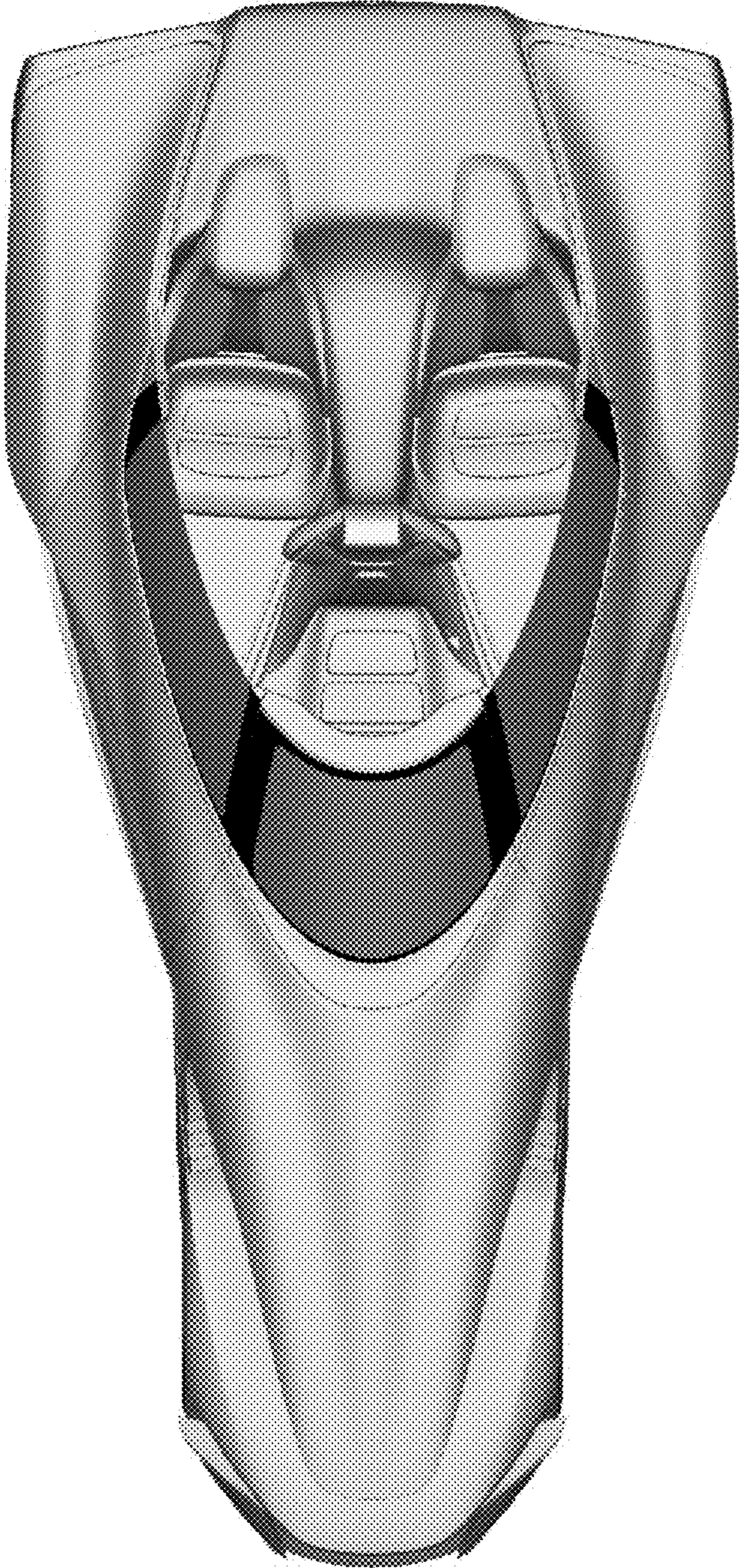


FIG. 5



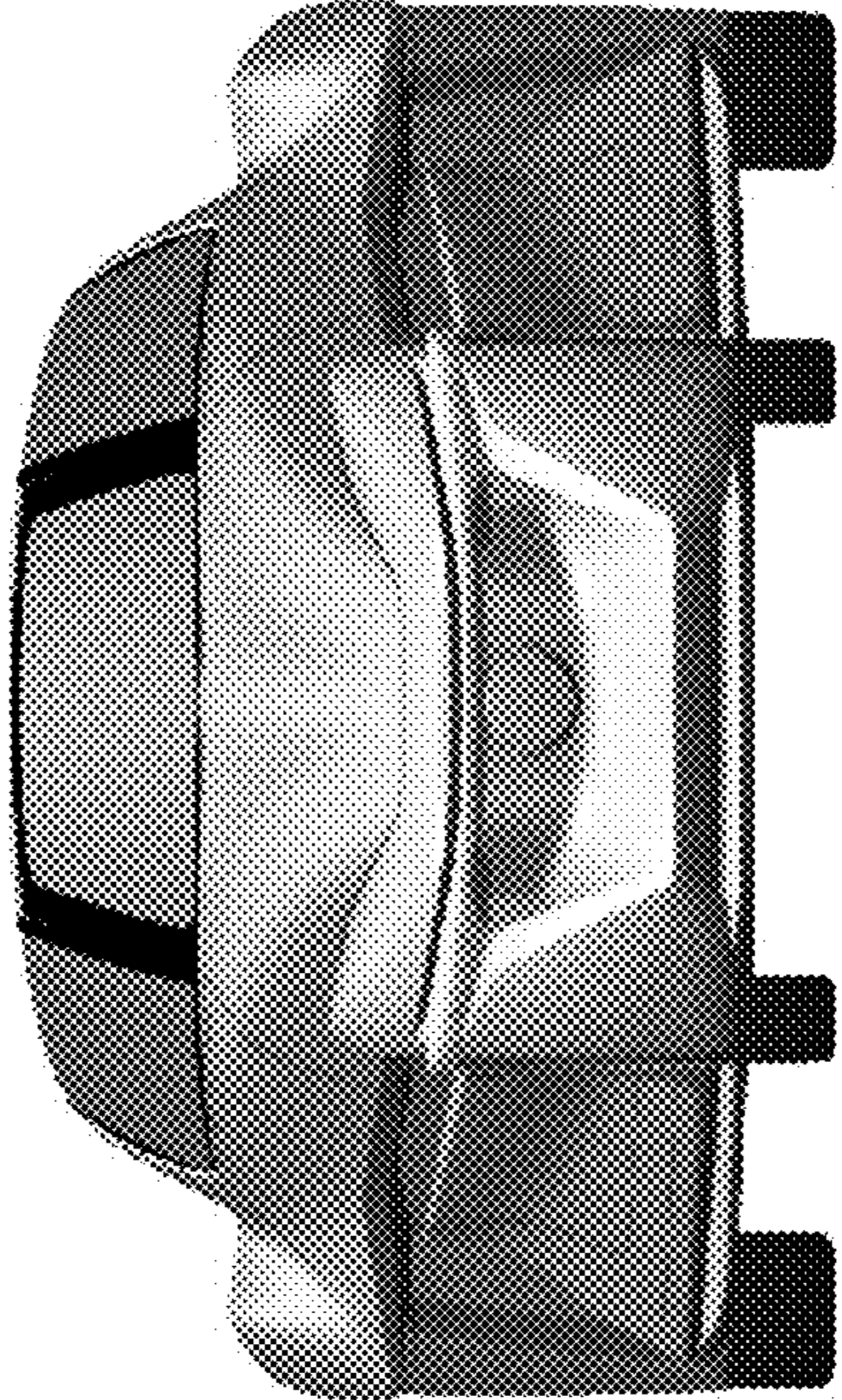
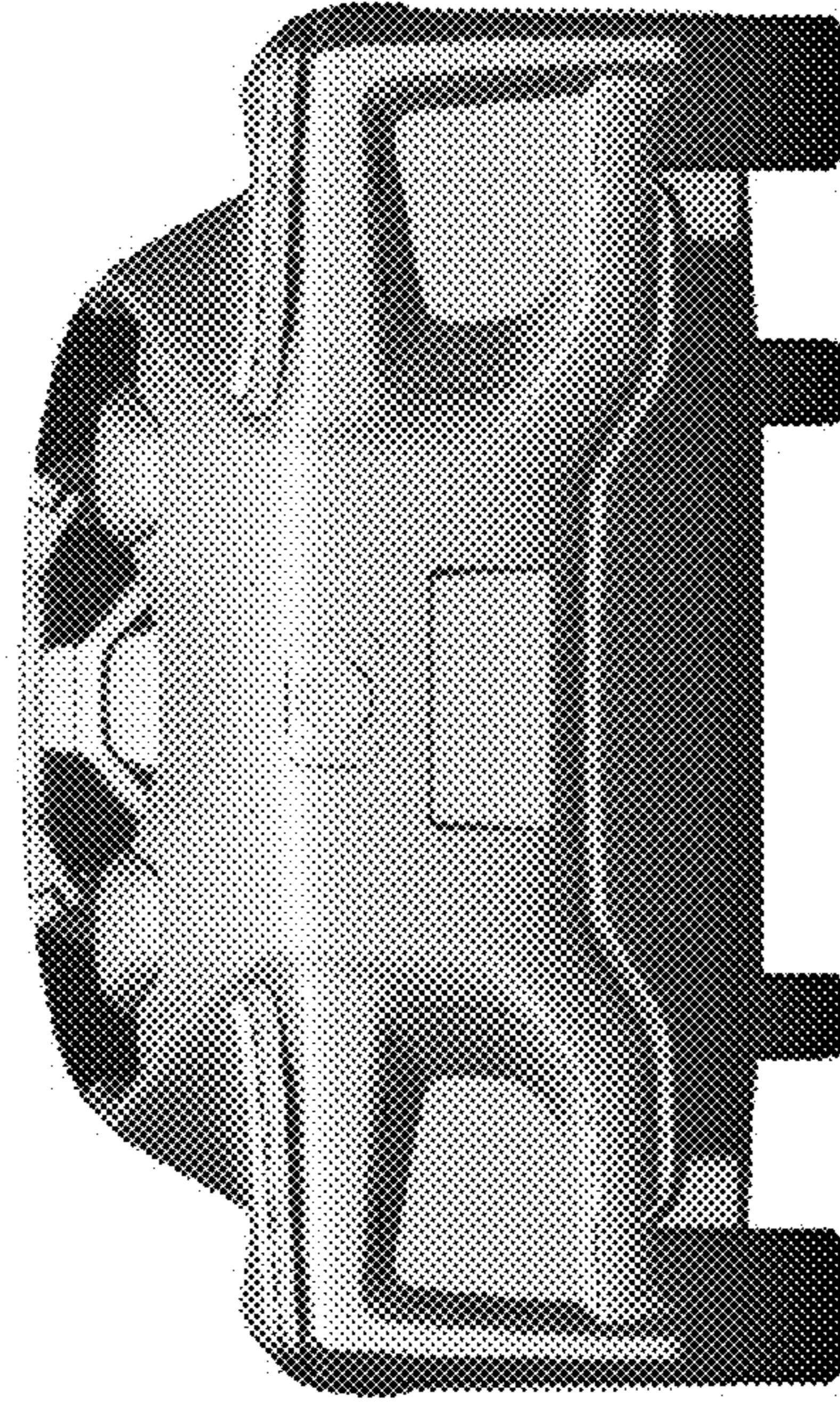


FIG. 6



**FIG. 7**