



US00D725546S

(12) **United States Design Patent**
Kurihara

(10) **Patent No.:** **US D725,546 S**
(45) **Date of Patent:** **** Mar. 31, 2015**

(54) **PLANTER BOX**

(71) Applicant: **Ted Kazuo Kurihara**, Lafayette, CA
(US)

(72) Inventor: **Ted Kazuo Kurihara**, Lafayette, CA
(US)

(**) Term: **14 Years**

(21) Appl. No.: **29/488,044**

(22) Filed: **May 29, 2014**

(51) **LOC (10) Cl.** **11-02**

(52) **U.S. Cl.**
USPC **D11/156**

(58) **Field of Classification Search**
USPC D3/304; D6/403-405, 556; D9/432;
D11/143-156, 164; 47/17, 18, 32.7,
47/33, 39, 41.01, 41.11-41.15, 65, 5, 66.1,
47/66.6, 66.7, 67-71
See application file for complete search history.

(56) **References Cited**

U.S. PATENT DOCUMENTS

D27,156 S * 6/1897 Levit D23/401
D97,495 S * 11/1935 Madvig D11/156
D166,419 S * 4/1952 Sandkuhle D11/156
3,006,496 A * 10/1961 Weiman 217/12 R
3,724,127 A * 4/1973 Rosenwach 47/66.1

D232,812 S * 9/1974 Ogle D3/314
D237,729 S * 11/1975 Coppa D11/145
D298,305 S * 11/1988 Granger D11/156
D302,534 S * 8/1989 Granger D11/156
D304,810 S * 11/1989 Thurman D11/149
D304,811 S * 11/1989 Thurman D7/584
D316,058 S * 4/1991 Mitchell et al. D11/156
D401,424 S * 11/1998 Ogo et al. D6/329
D401,720 S * 11/1998 Newquist D34/1
D402,229 S * 12/1998 Christensen D11/155
D458,560 S * 6/2002 D'Hulst D11/155
D488,401 S * 4/2004 Gutierrez D11/155
D556,627 S * 12/2007 Arev D11/155
D605,480 S * 12/2009 Kalinich D8/1
D650,719 S * 12/2011 Gretz D11/155
D655,141 S * 3/2012 Isorez D8/1
D655,220 S * 3/2012 Rossi D11/145
D665,300 S * 8/2012 Pedersen et al. D11/155
D675,957 S * 2/2013 Thorson D11/155

* cited by examiner

Primary Examiner — Elizabeth Albert

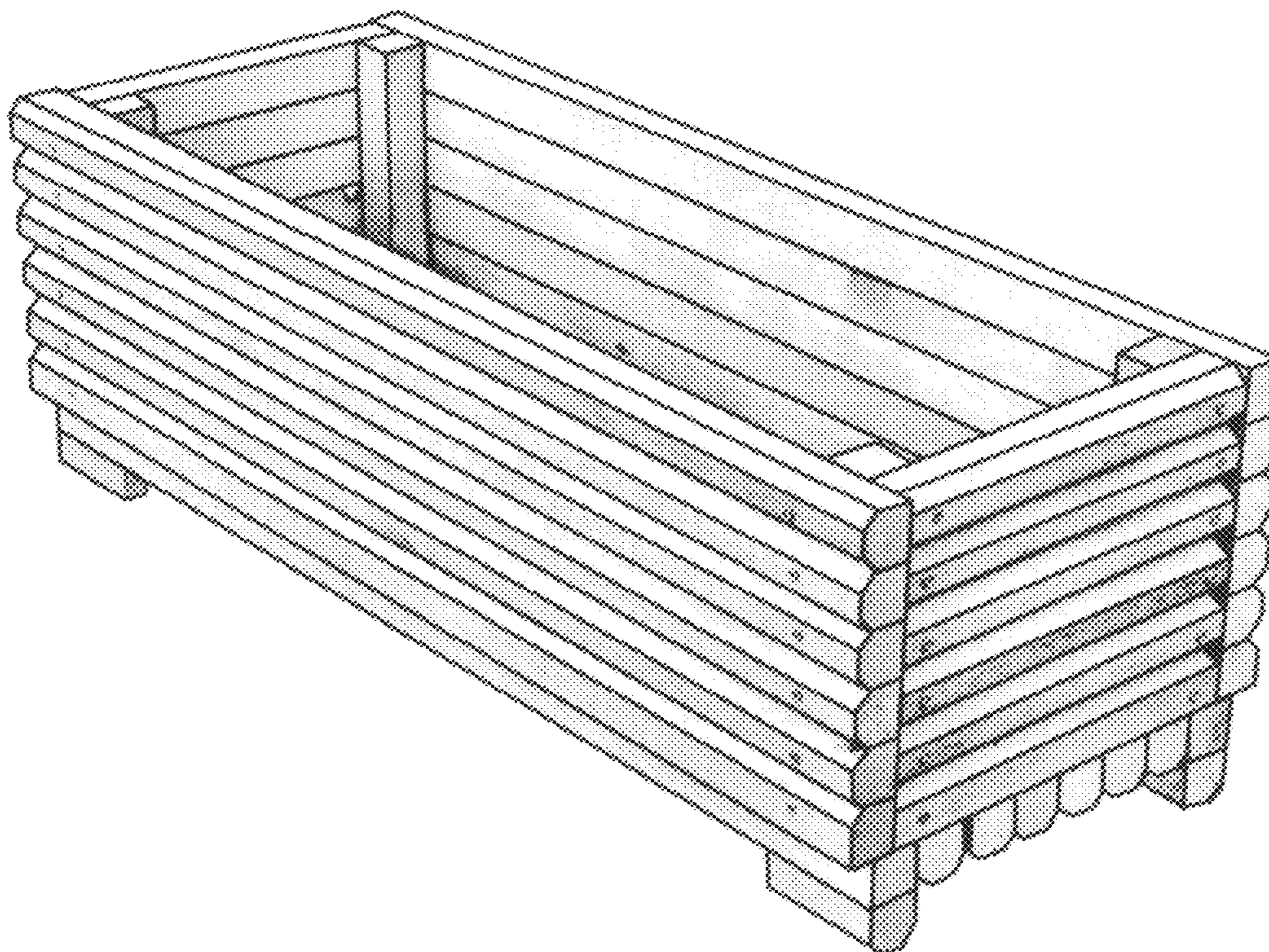
(57) **CLAIM**

The ornamental design for a planter box, as shown and described.

DESCRIPTION

FIG. 1 is a top, front perspective view of the planter box showing my new design; and, FIG. 2 is a bottom, front perspective of FIG. 1.

1 Claim, 2 Drawing Sheets



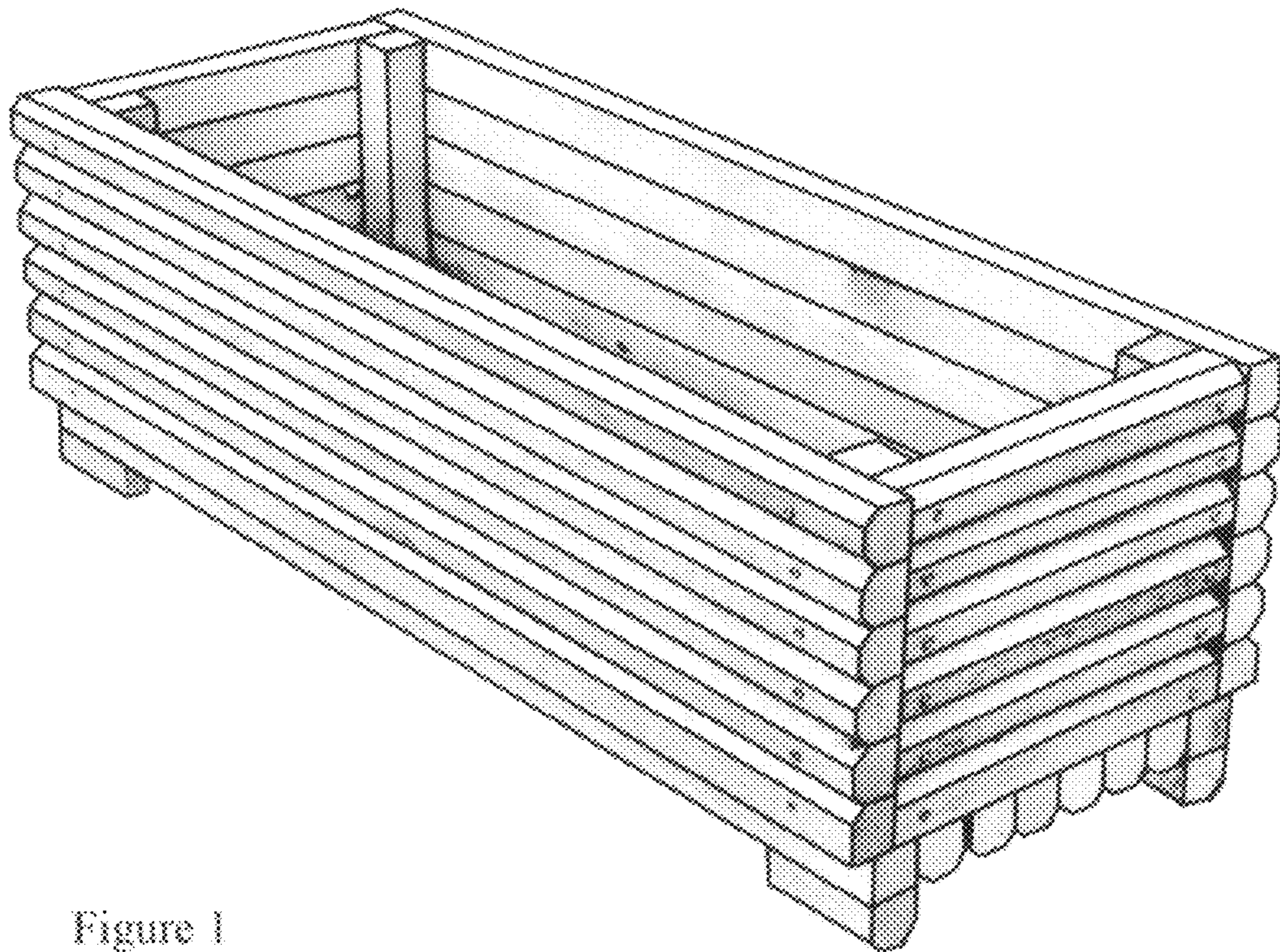


Figure 1

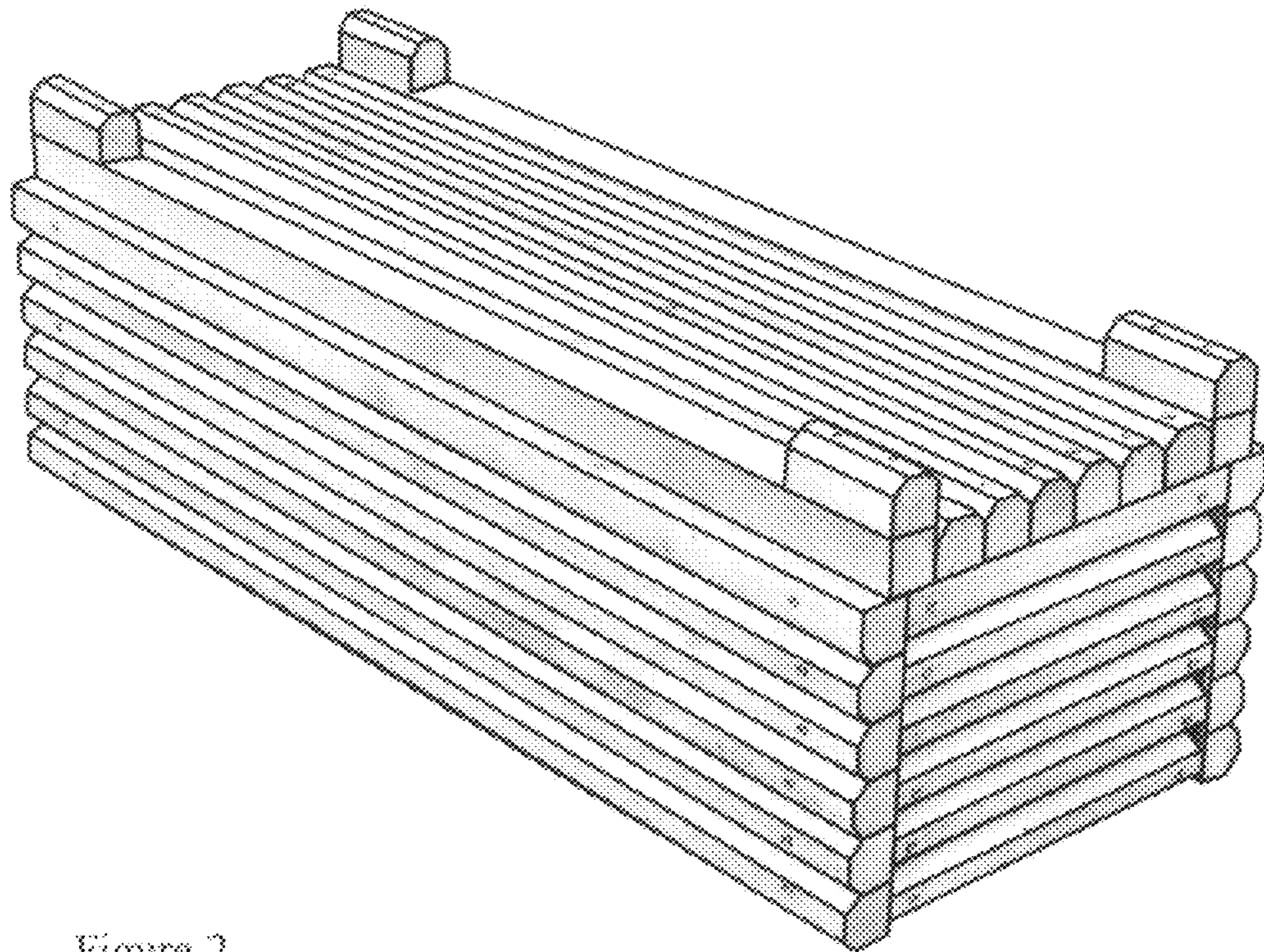


Figure 2