



US00D725539S

(12) **United States Design Patent**
Oh

(10) **Patent No.:** **US D725,539 S**

(45) **Date of Patent:** **** Mar. 31, 2015**

(54) **LASER CLASP**

(71) Applicant: **Knottology, LLC**, Kalamazoo, MI (US)

(72) Inventor: **Hyeon Jin Oh**, Kalamazoo, MI (US)

(73) Assignee: **Knottology, LLC**, Kalamazoo, MI (US)

(**) Term: **14 Years**

(21) Appl. No.: **29/473,266**

(22) Filed: **Nov. 20, 2013**

Related U.S. Application Data

(63) Continuation-in-part of application No. PCT/US2013/040366, filed on May 9, 2013.

(51) **LOC (10) Cl.** **11-01**

(52) **U.S. Cl.**
USPC **D11/87**

(58) **Field of Classification Search**
USPC D11/1-2, 200-201, 206-210, 214-218, D11/87; 24/163 R, 169-171, 173, 177-179, 24/191, 194-195, 197, 200, 614-616, 625, 24/198; D8/349

See application file for complete search history.

(56) **References Cited**

U.S. PATENT DOCUMENTS

711,826	A *	10/1902	Collins	24/616
2,986,792	A *	6/1961	Wyatt	24/616
3,947,932	A *	4/1976	Flynn	24/616
D264,828	S *	6/1982	Gray	D11/87
4,520,537	A *	6/1985	Valikov	24/616
4,543,692	A *	10/1985	Ode et al.	24/616
4,881,305	A *	11/1989	Rivera	24/616
5,231,740	A *	8/1993	Mohebkhosravi	24/616
D360,848	S *	8/1995	Koven	D11/87
D373,325	S *	9/1996	Koven	D11/87
D378,069	S *	2/1997	Koven	D11/87
5,890,497	A *	4/1999	Tsai	132/273
5,991,985	A *	11/1999	Galbreath	24/625

6,112,373	A *	9/2000	Steinhauer et al.	24/68 J
D482,635	S *	11/2003	Tejima	D11/87
D622,839	S *	8/2010	Fisher et al.	D24/129

* cited by examiner

Primary Examiner — Ralf Seifert

(74) *Attorney, Agent, or Firm* — Conley Rose, P.C.

(57) **CLAIM**

The ornamental design for a laser clasp, as shown and described.

DESCRIPTION

FIG. 1 is a perspective view of a laser clasp in an open position;

FIG. 2 is a perspective view of the laser clasp in a closed position;

FIG. 3 is a top plan view of the laser clasp in the open position of FIG. 1;

FIG. 4 is a top plan view of the laser clasp in the closed position of FIG. 2;

FIG. 5 is a bottom plan view of the laser clasp in the open position of FIG. 1;

FIG. 6 is a bottom plan view of the laser clasp in the closed position of FIG. 2;

FIG. 7 is a right side elevation view of the laser clasp in the open position of FIG. 1;

FIG. 8 is a right side elevation view of the laser clasp in the closed position of FIG. 2;

FIG. 9 is a left side elevation view of the laser clasp in the open position of FIG. 1;

FIG. 10 is a left side elevation view of the laser clasp in the closed position of FIG. 2;

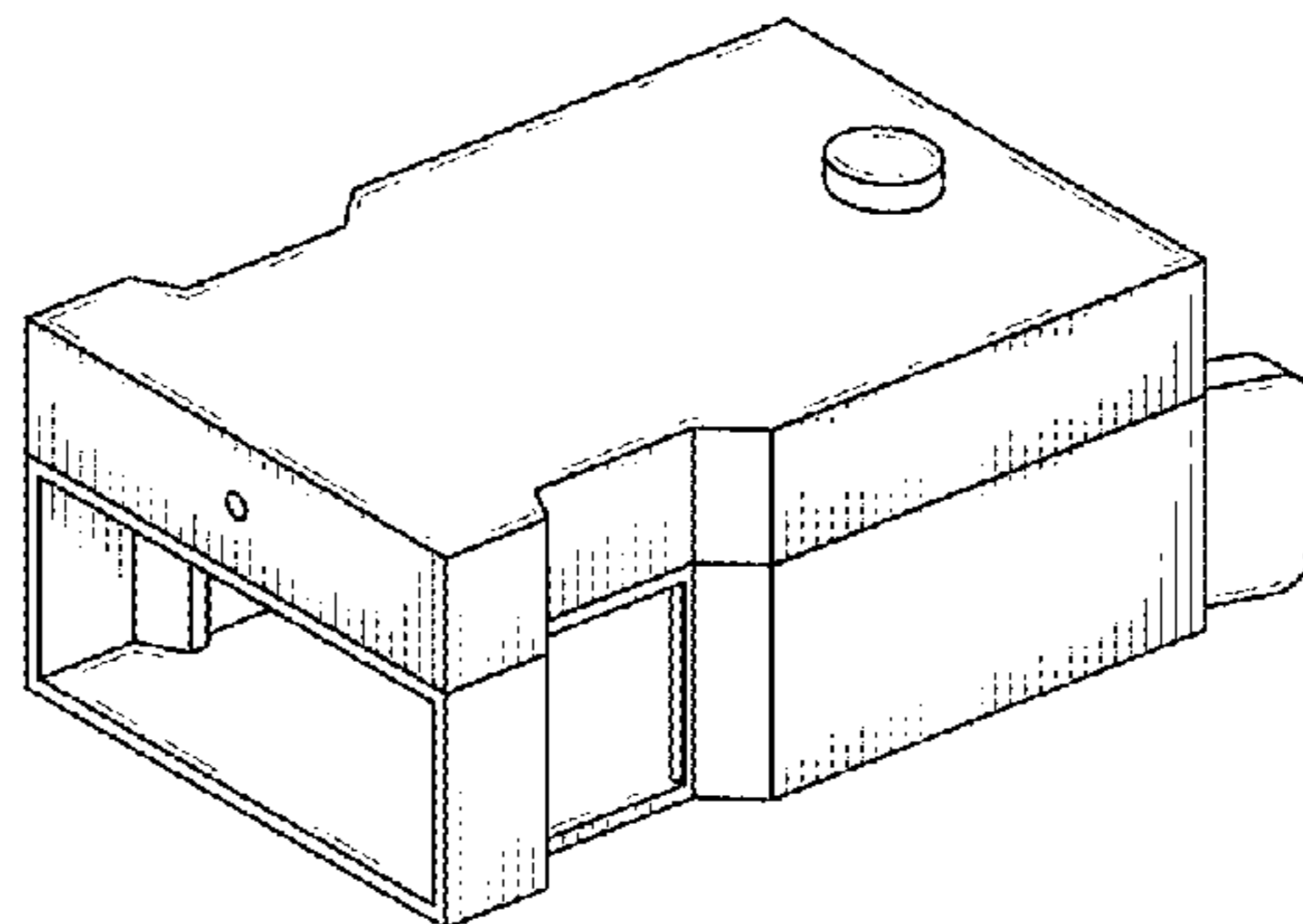
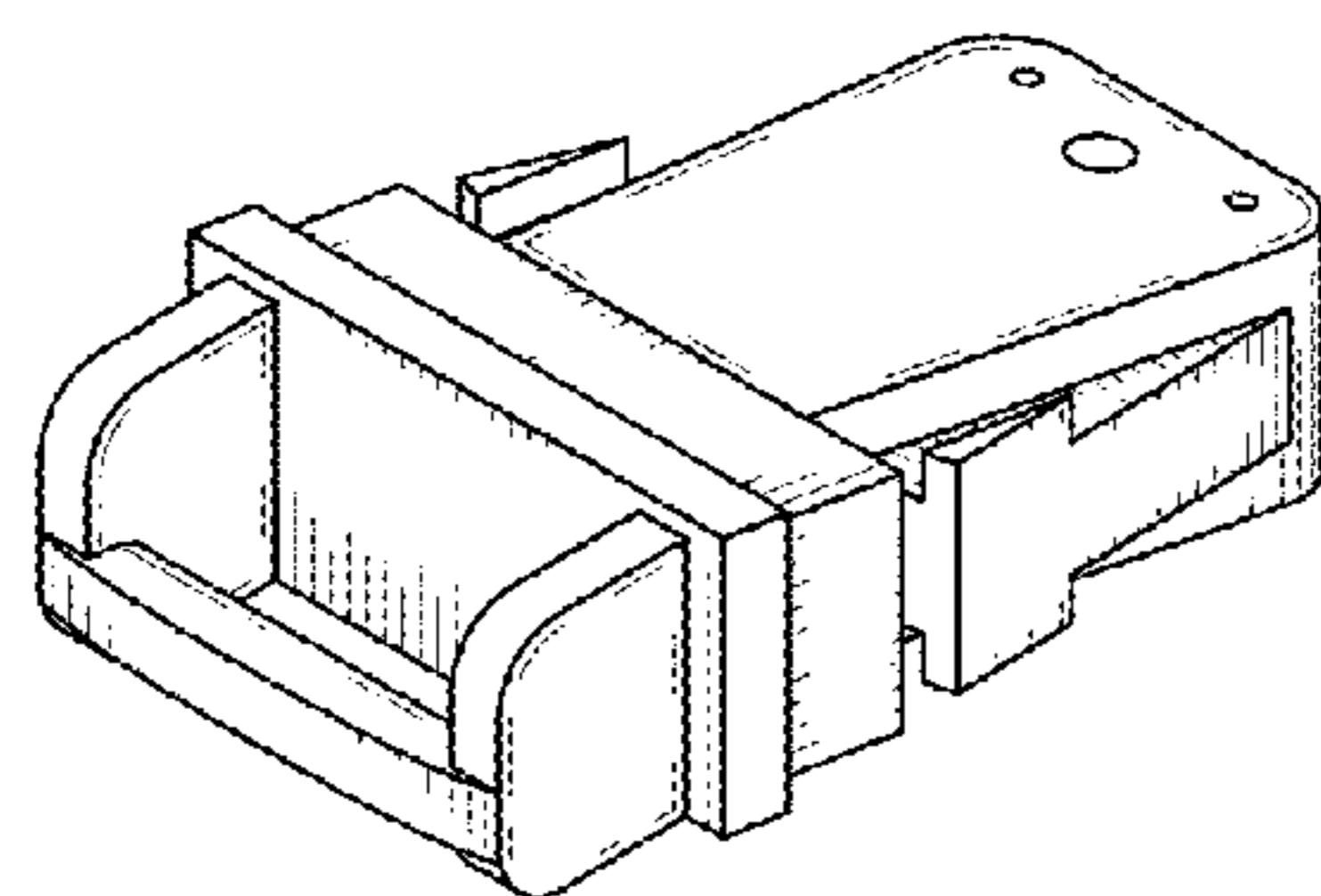
FIG. 11 is a front elevation view of the laser clasp in the open position of FIG. 1;

FIG. 12 is a front elevation view of the laser clasp in the closed position of FIG. 2;

FIG. 13 is a back elevation view of the laser clasp in the open position of FIG. 1; and,

FIG. 14 is a back elevation view of the laser clasp in the closed position of FIG. 2.

1 Claim, 4 Drawing Sheets



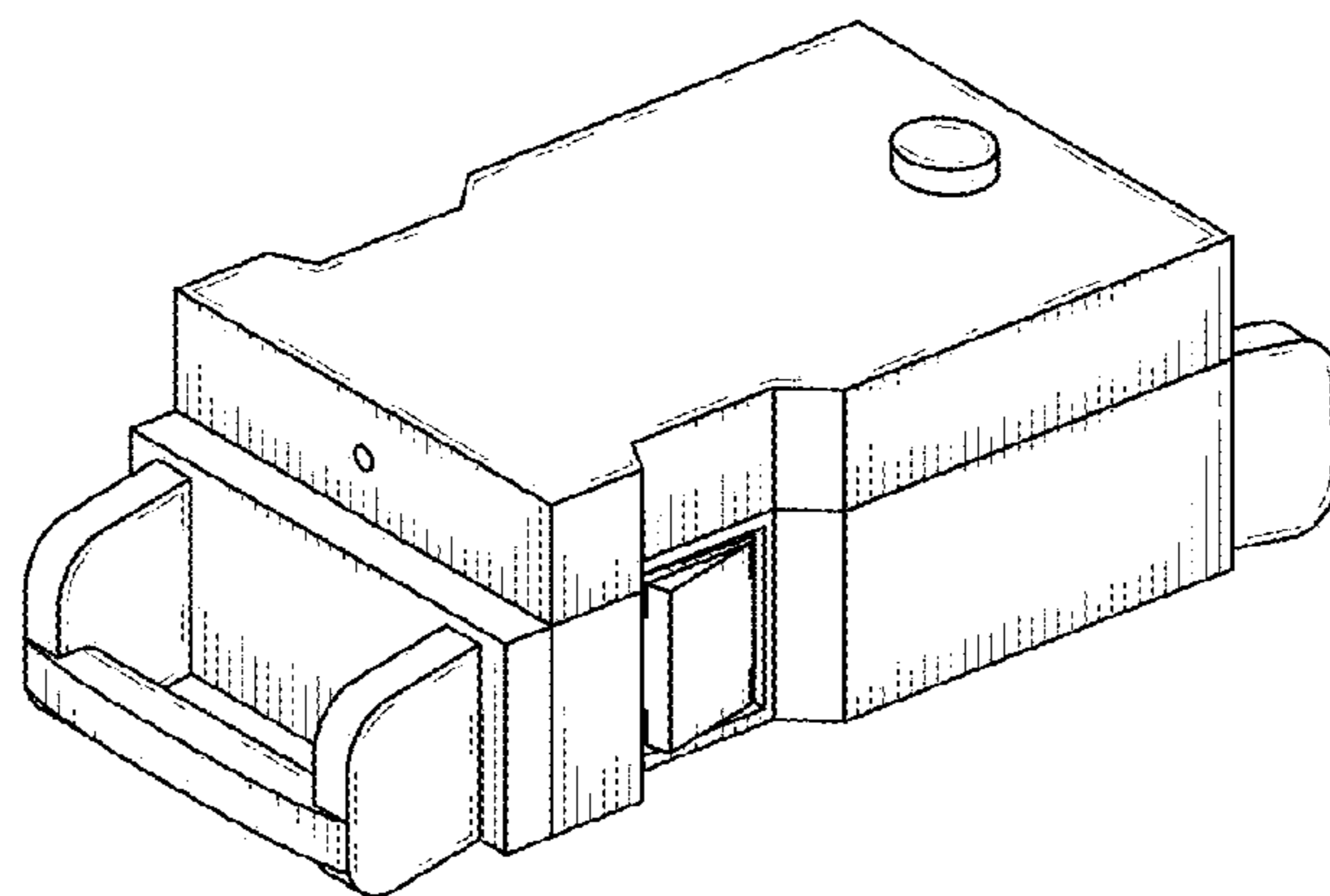
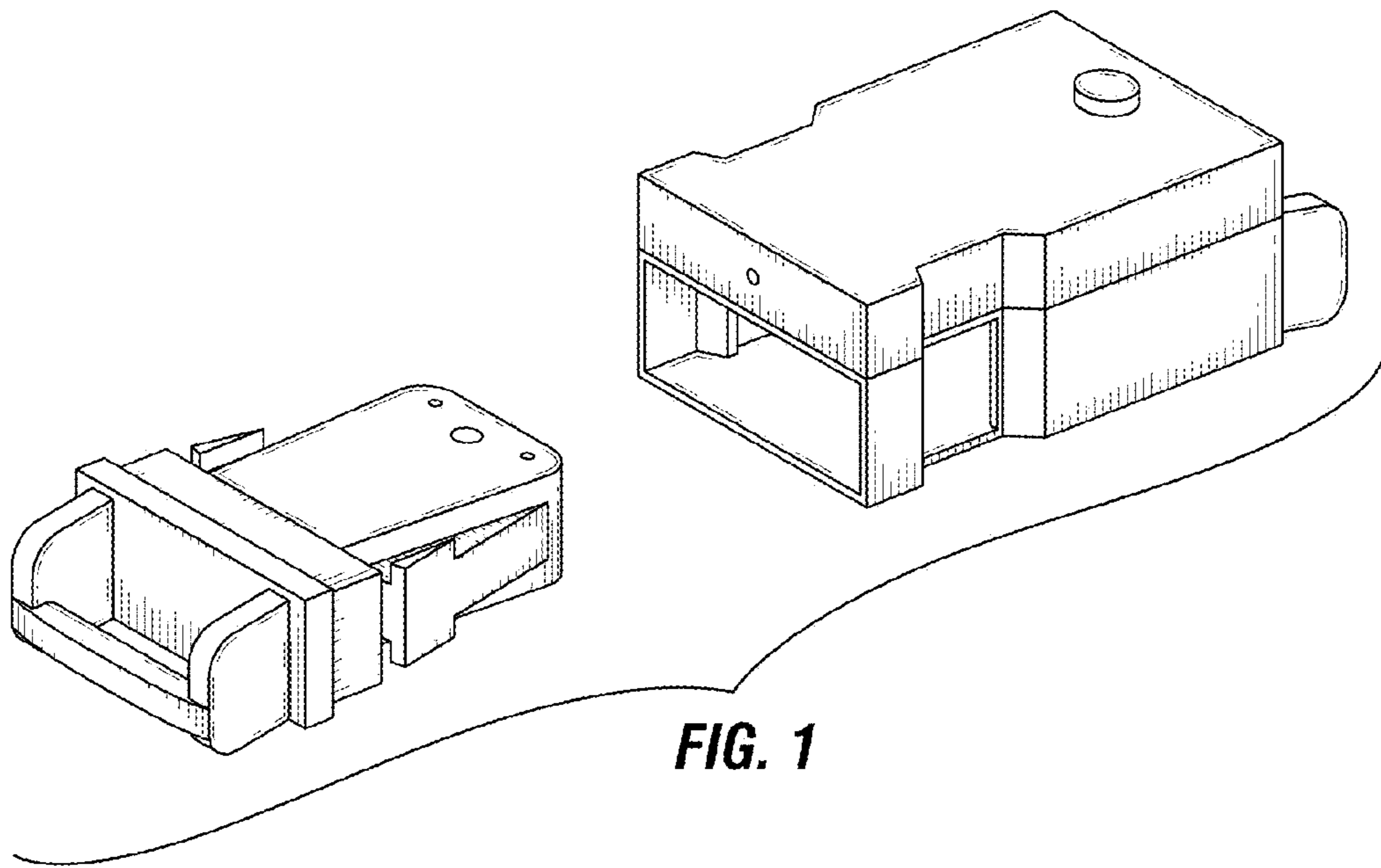


FIG. 2

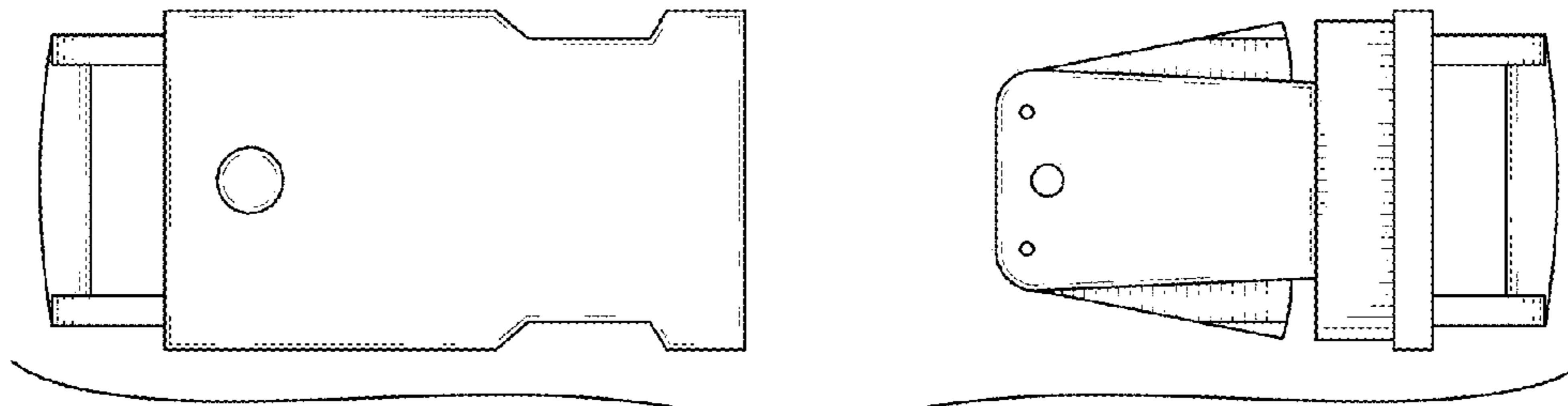


FIG. 3

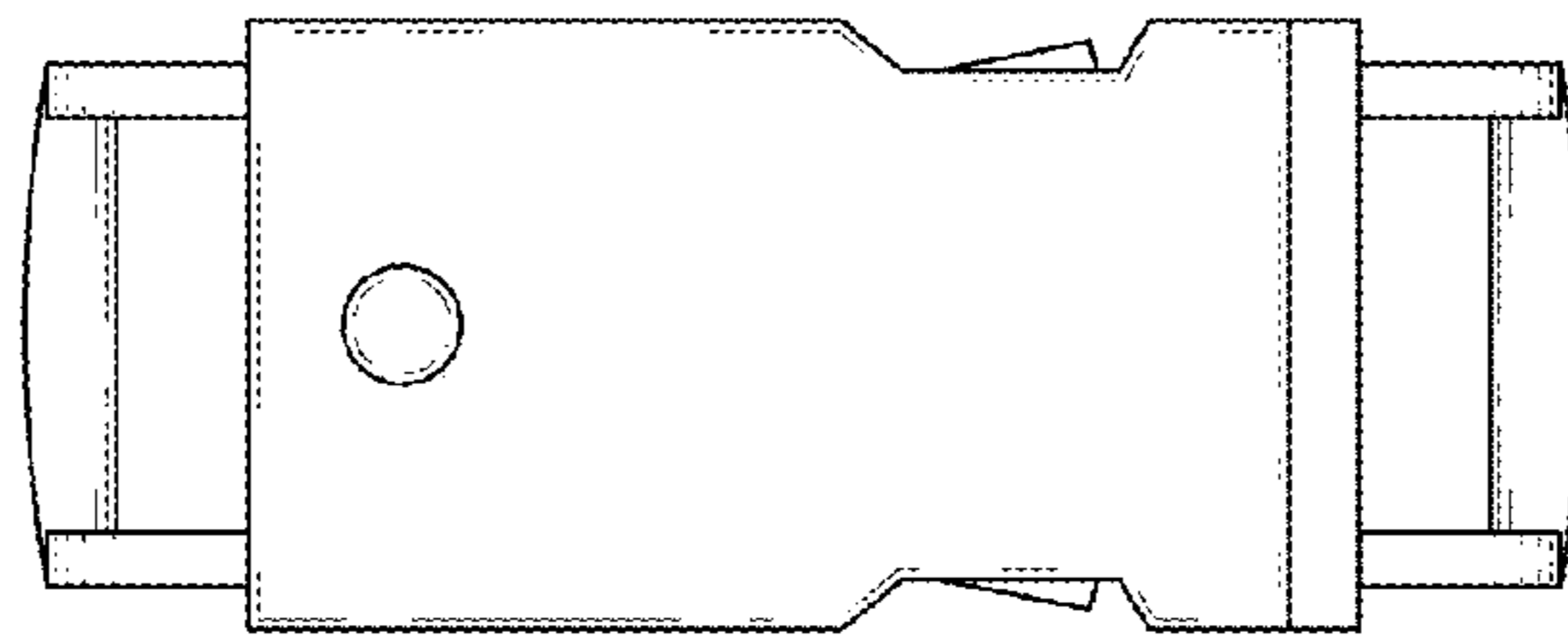


FIG. 4

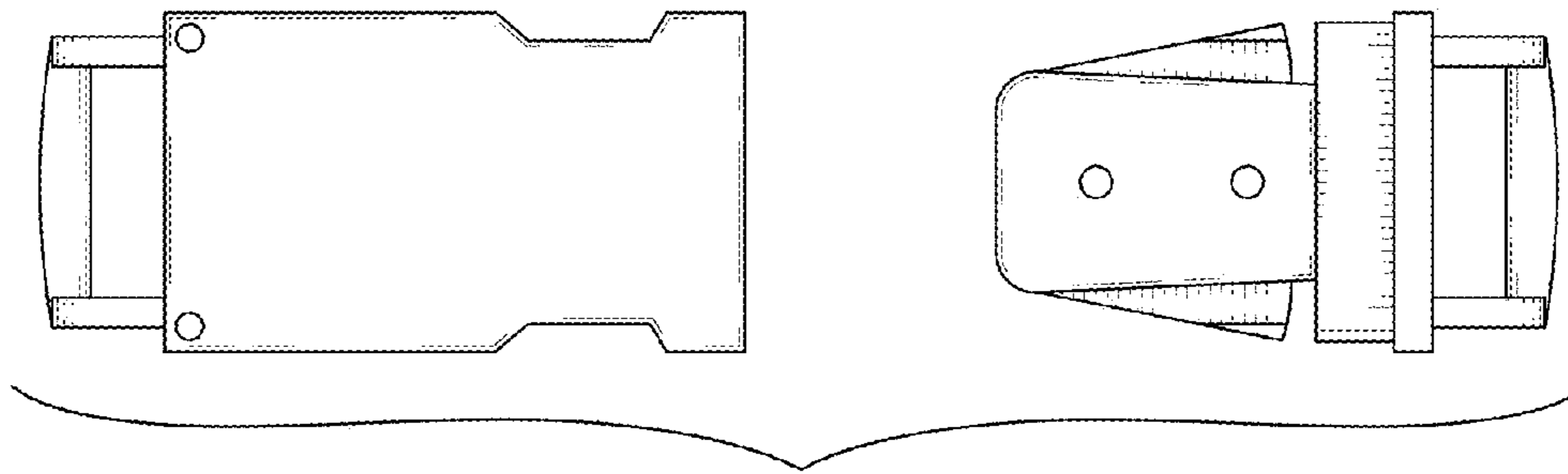


FIG. 5

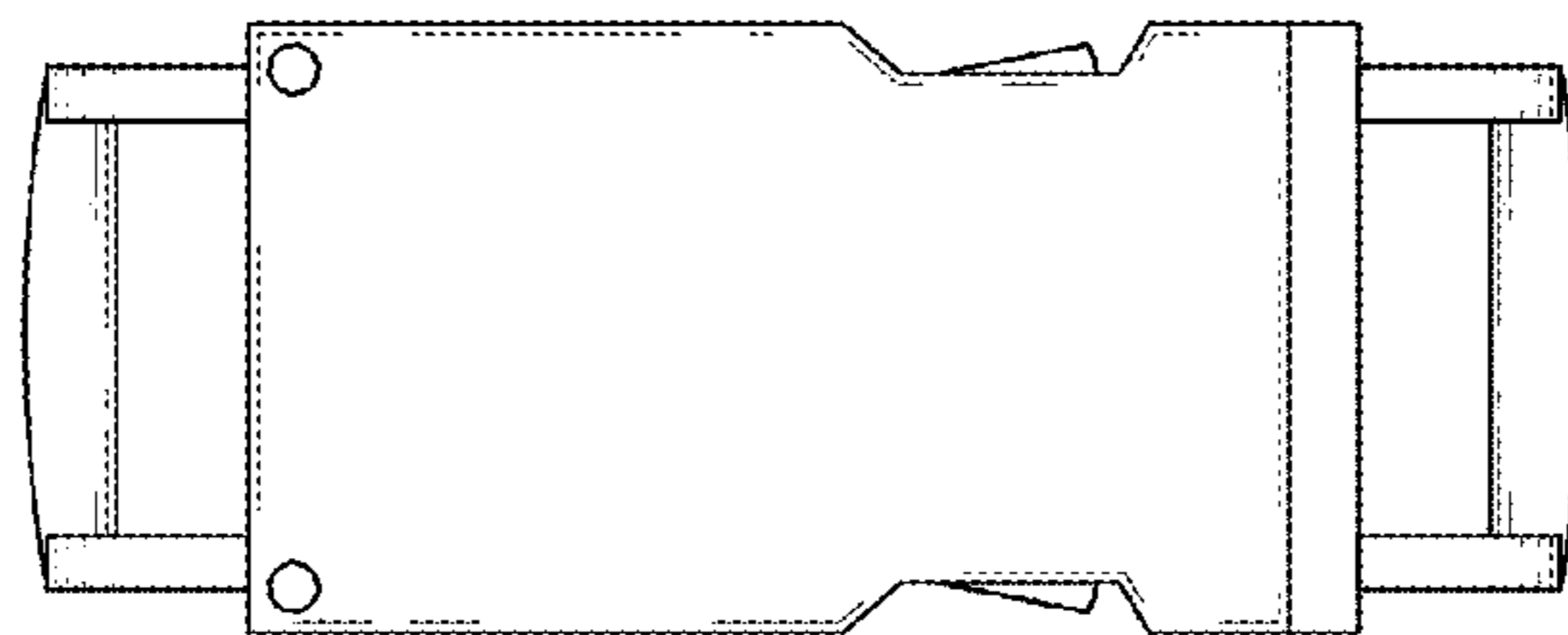


FIG. 6

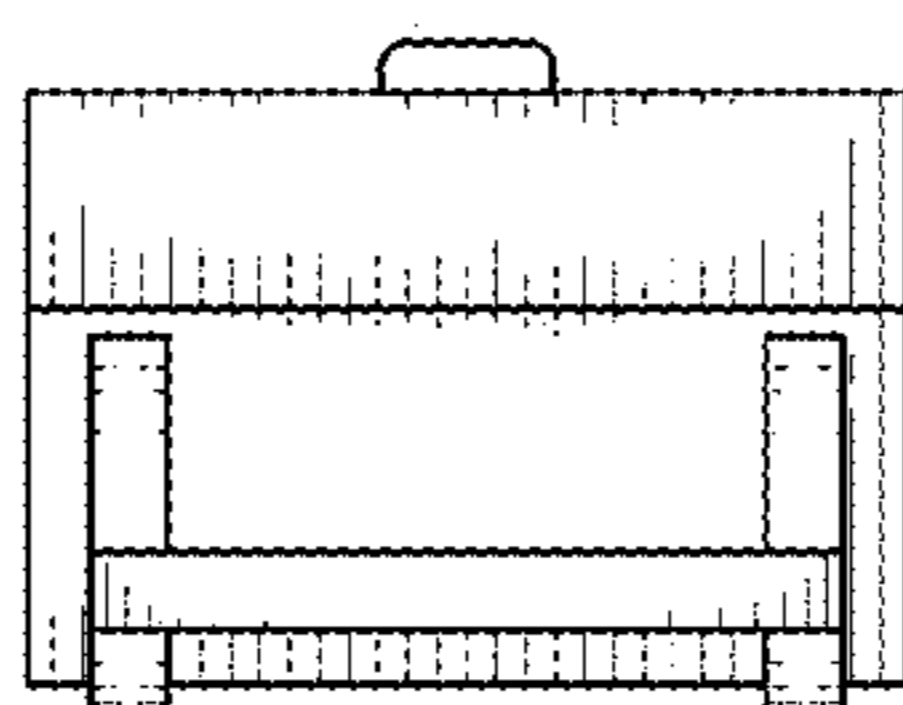


FIG. 7

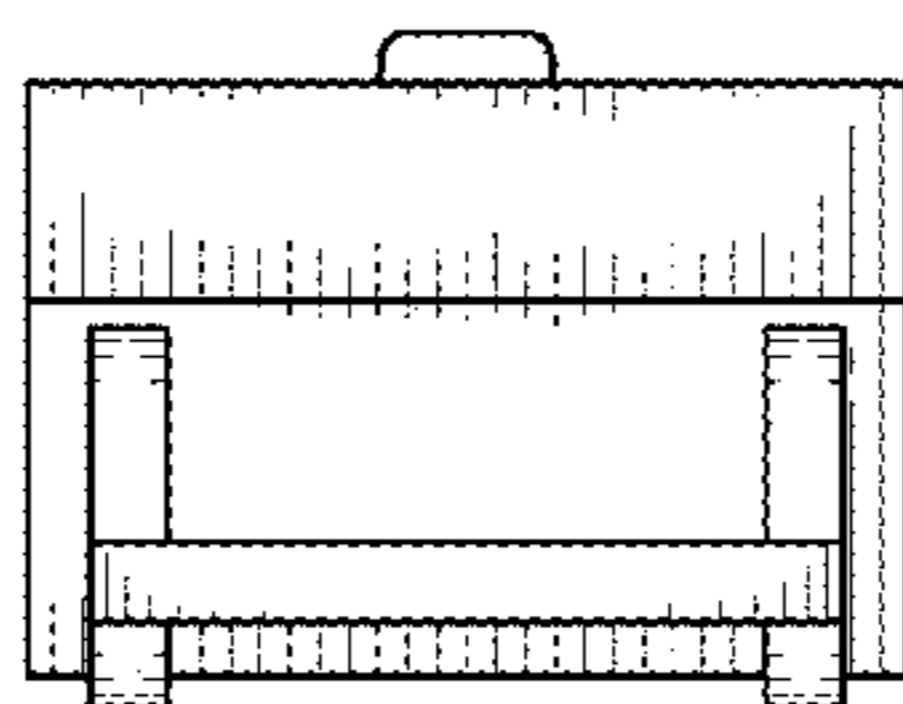


FIG. 8

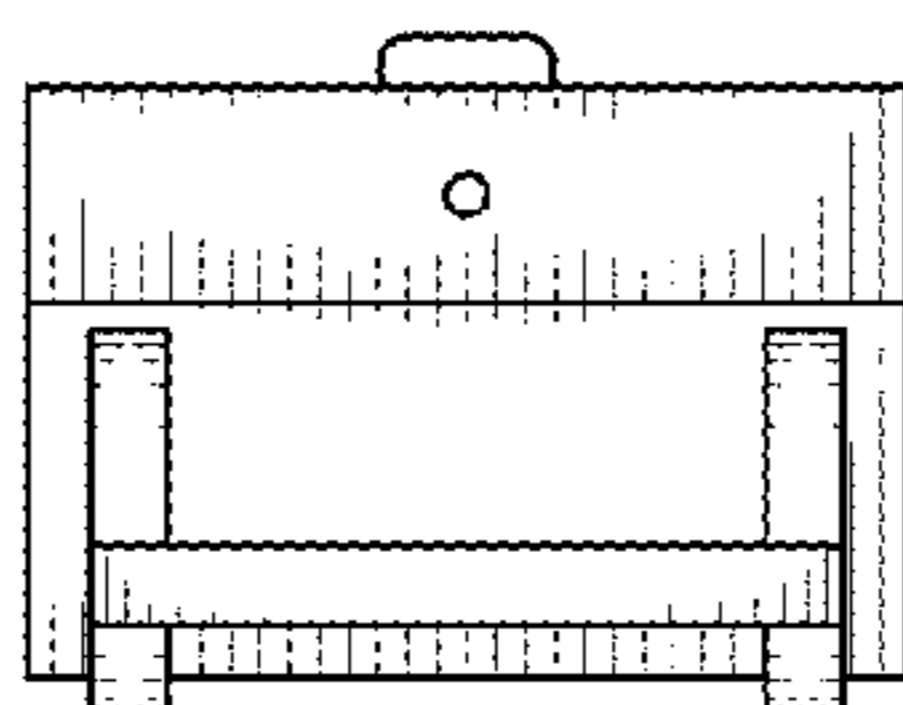


FIG. 9

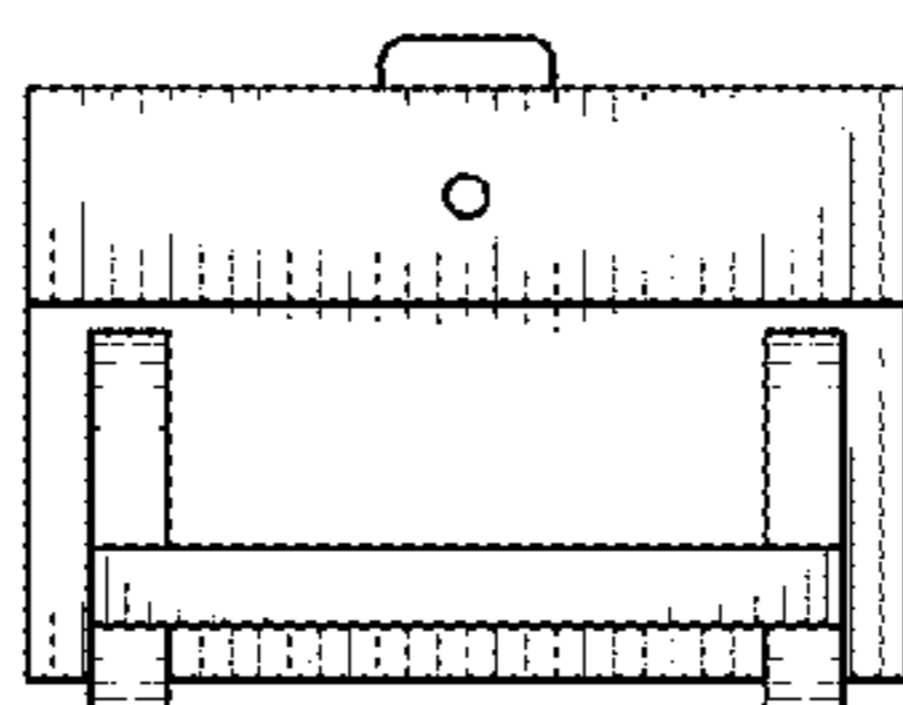


FIG. 10

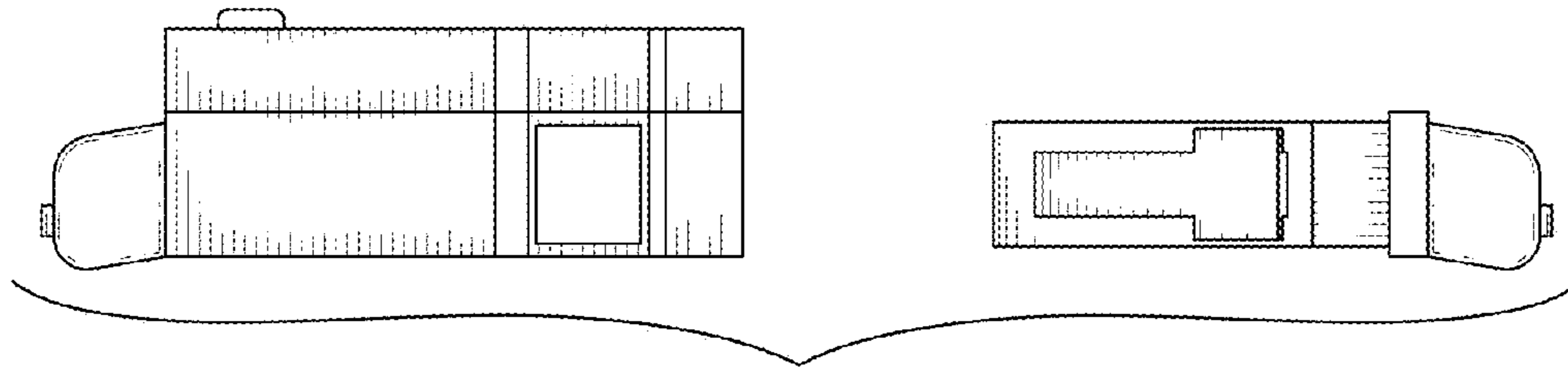


FIG. 11

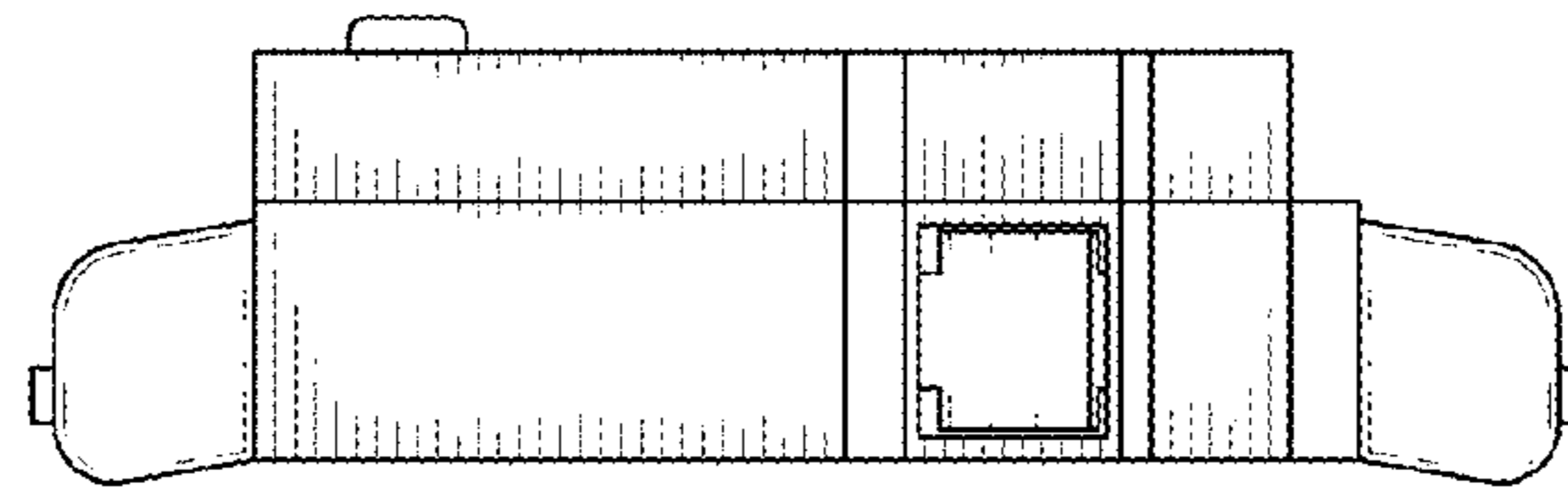


FIG. 12

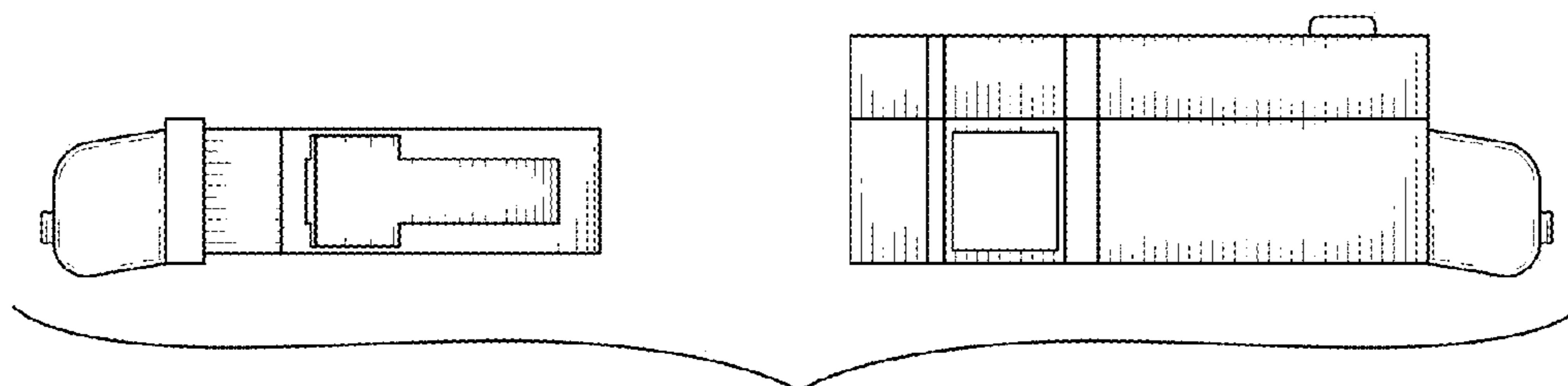


FIG. 13

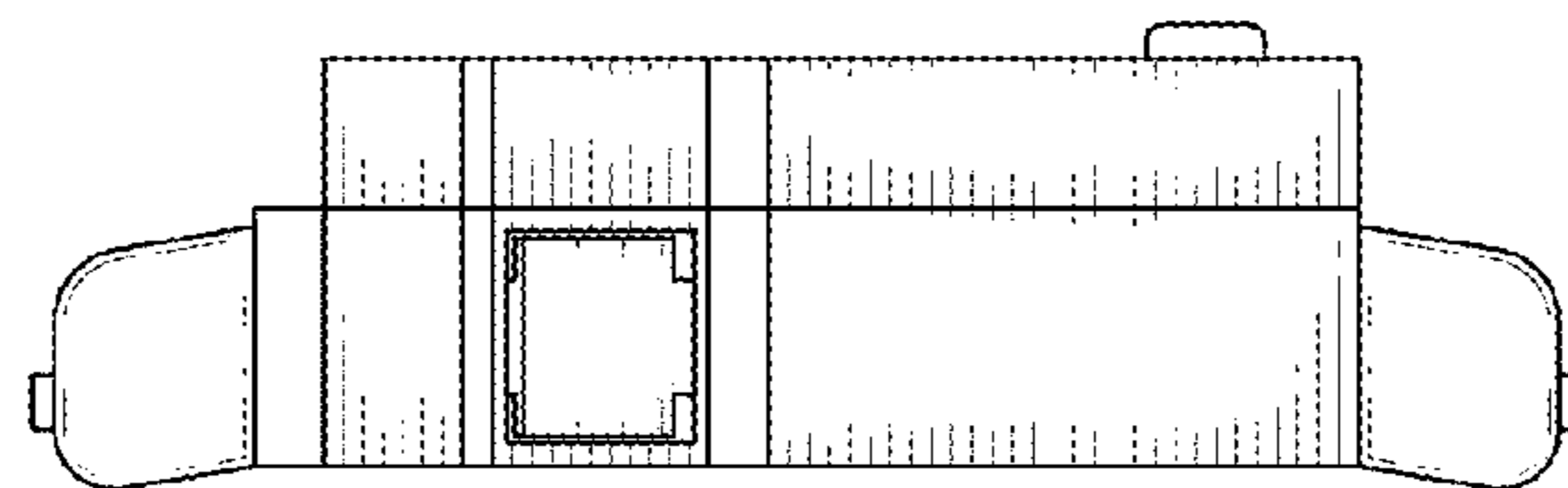


FIG. 14