



US00D725538S

(12) **United States Design Patent**
Oh

(10) **Patent No.:** **US D725,538 S**
(45) **Date of Patent:** **** Mar. 31, 2015**

- (54) **COMPARTMENT CLASP**
- (71) Applicant: **Knottology, LLC**, Kalamazoo, MI (US)
- (72) Inventor: **Hyeon Jin Oh**, Kalamazoo, MI (US)
- (73) Assignee: **Knottology, LLC**, Kalamazoo, MI (US)
- (**) Term: **14 Years**
- (21) Appl. No.: **29/473,264**
- (22) Filed: **Nov. 20, 2013**

- 6,112,373 A * 9/2000 Steinhauer et al. 24/68 J
- D482,635 S * 11/2003 Tejima D11/87
- D622,839 S * 8/2010 Fisher et al. D24/129

* cited by examiner

Primary Examiner — Ralf Seifert
(74) *Attorney, Agent, or Firm* — Conley Rose, P.C.

(57) **CLAIM**
The ornamental design for a compartment clasp, as shown and described.

DESCRIPTION

FIG. 1 is a perspective view of a compartment clasp in an open position;
 FIG. 2 is a perspective view of the compartment clasp in a closed position;
 FIG. 3 is a top plan view of the compartment clasp in the open position of FIG. 1;
 FIG. 4 is a top plan view of the compartment clasp in the closed position of FIG. 2;
 FIG. 5 is a bottom plan view of the compartment clasp in the open position of FIG. 1;
 FIG. 6 is a bottom plan view of the compartment clasp in the closed position of FIG. 2;
 FIG. 7 is a right side elevation view of the compartment clasp in the open position of FIG. 1;
 FIG. 8 is a right side elevation view of the compartment clasp in the closed position of FIG. 2;
 FIG. 9 is a left side elevation view of the compartment clasp in the open position of FIG. 1;
 FIG. 10 is a left side elevation view of the compartment clasp in the closed position of FIG. 2;
 FIG. 11 is a front elevation view of the compartment clasp in the open position of FIG. 1;
 FIG. 12 is a front elevation view of the compartment clasp in the closed position of FIG. 2;
 FIG. 13 is a back elevation view of the compartment clasp in the open position of FIG. 1; and,
 FIG. 14 is a back elevation view of the compartment clasp in the closed position of FIG. 2.

Related U.S. Application Data

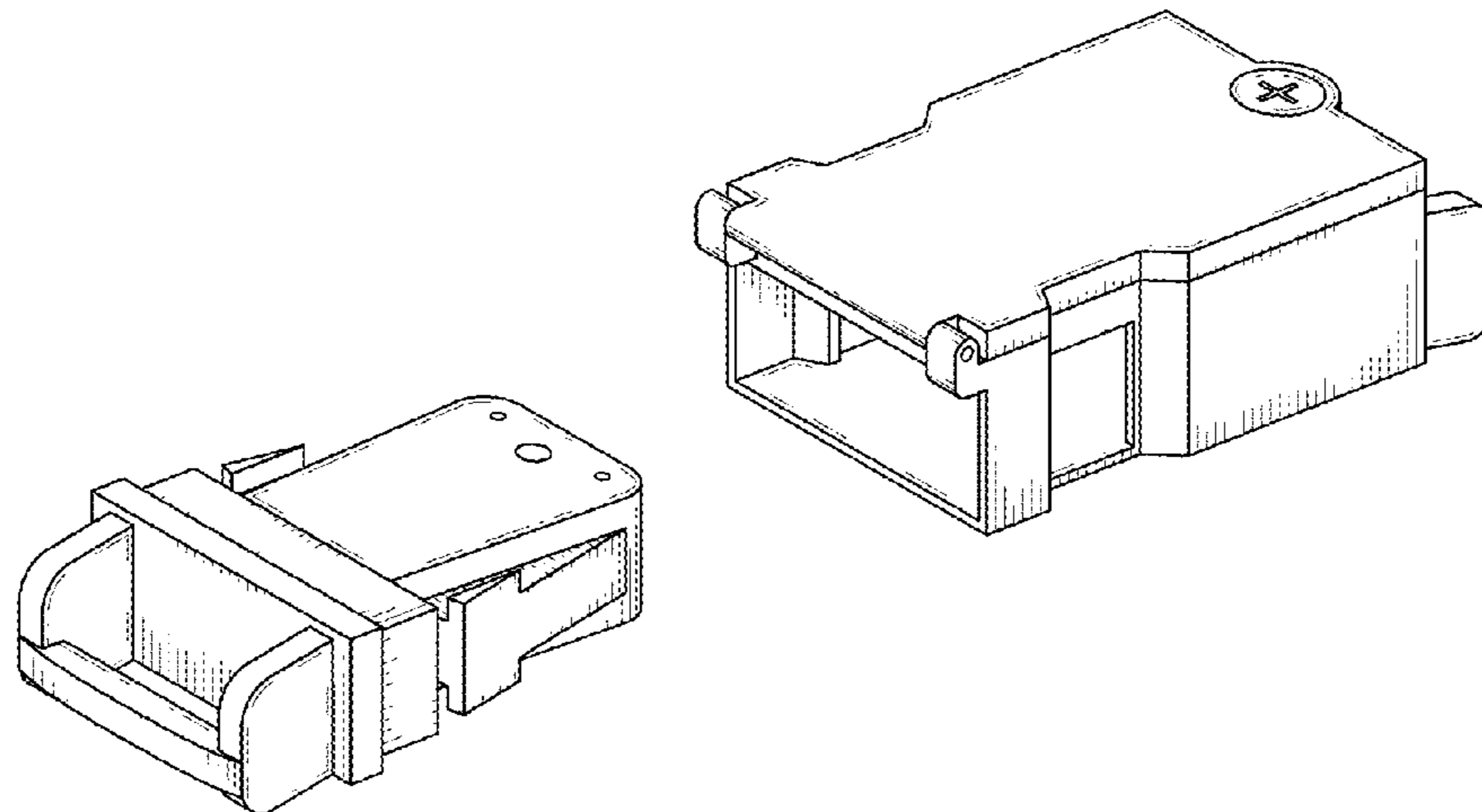
- (63) Continuation-in-part of application No. PCT/US2013/040366, filed on May 9, 2013.
- (51) **LOC (10) Cl.** **11-01**
- (52) **U.S. Cl.**
USPC **D11/87**
- (58) **Field of Classification Search**
USPC D11/1–2, 200–201, 206–210, 214–218;
24/163 R, 169–171, 173, 177–179, 191,
24/194–195, 197, 200, 614–616, 625,
24/198; D8/349
See application file for complete search history.

References Cited

U.S. PATENT DOCUMENTS

- 711,826 A * 10/1902 Collins 24/616
- 2,986,792 A * 6/1961 Wyatt 24/616
- 3,947,932 A * 4/1976 Flynn 24/616
- D264,828 S * 6/1982 Gray D11/87
- 4,520,537 A * 6/1985 Valikov 24/616
- 4,543,692 A * 10/1985 Ode et al. 24/616
- 4,881,305 A * 11/1989 Rivera 24/616
- 5,231,740 A * 8/1993 Mohebkhosravi 24/616
- D360,848 S * 8/1995 Koven D11/87
- D373,325 S * 9/1996 Koven D11/87
- D378,069 S * 2/1997 Koven D11/87
- 5,890,497 A * 4/1999 Tsai 132/273
- 5,991,985 A * 11/1999 Galbreath 24/625

1 Claim, 4 Drawing Sheets



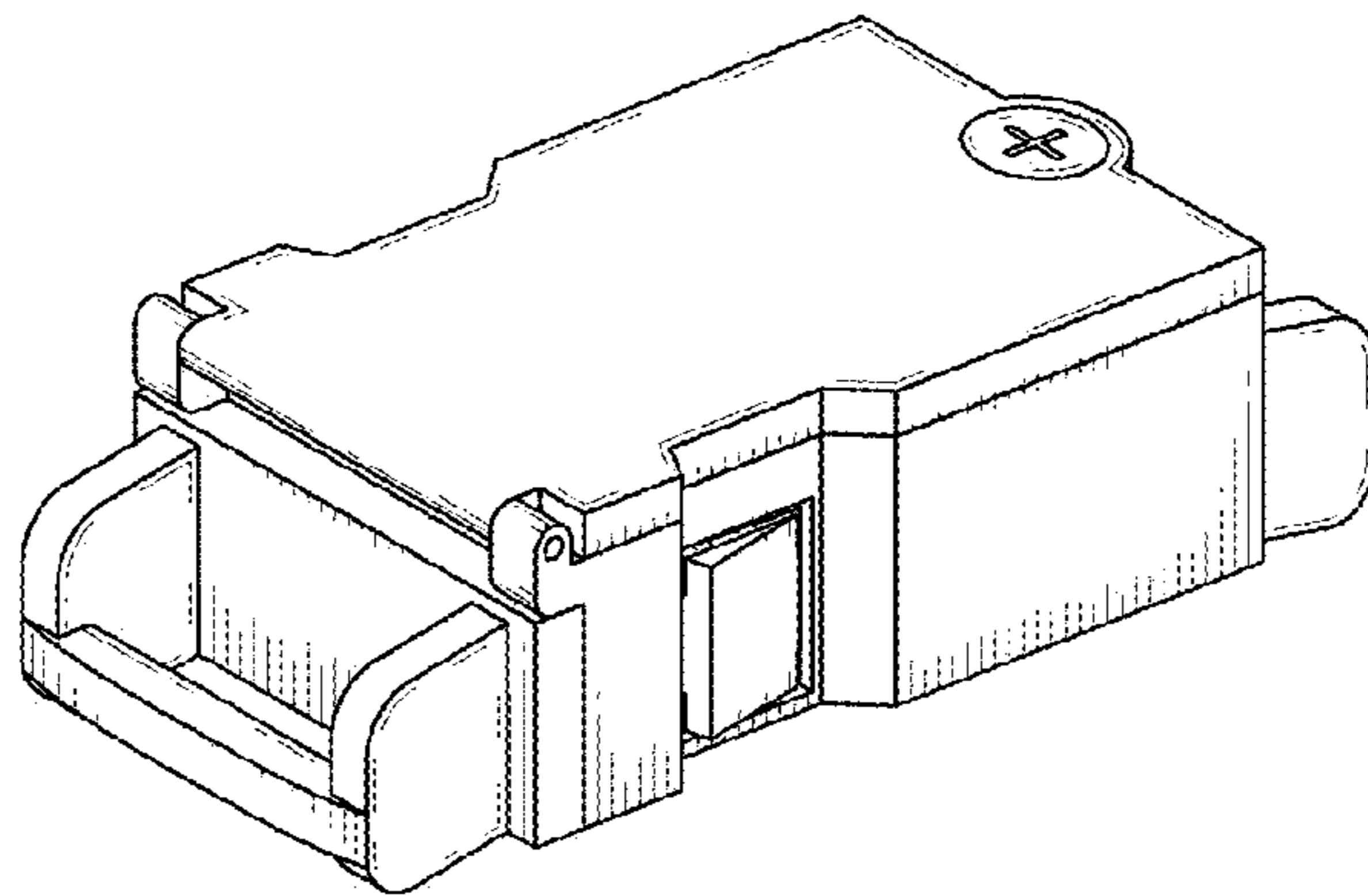
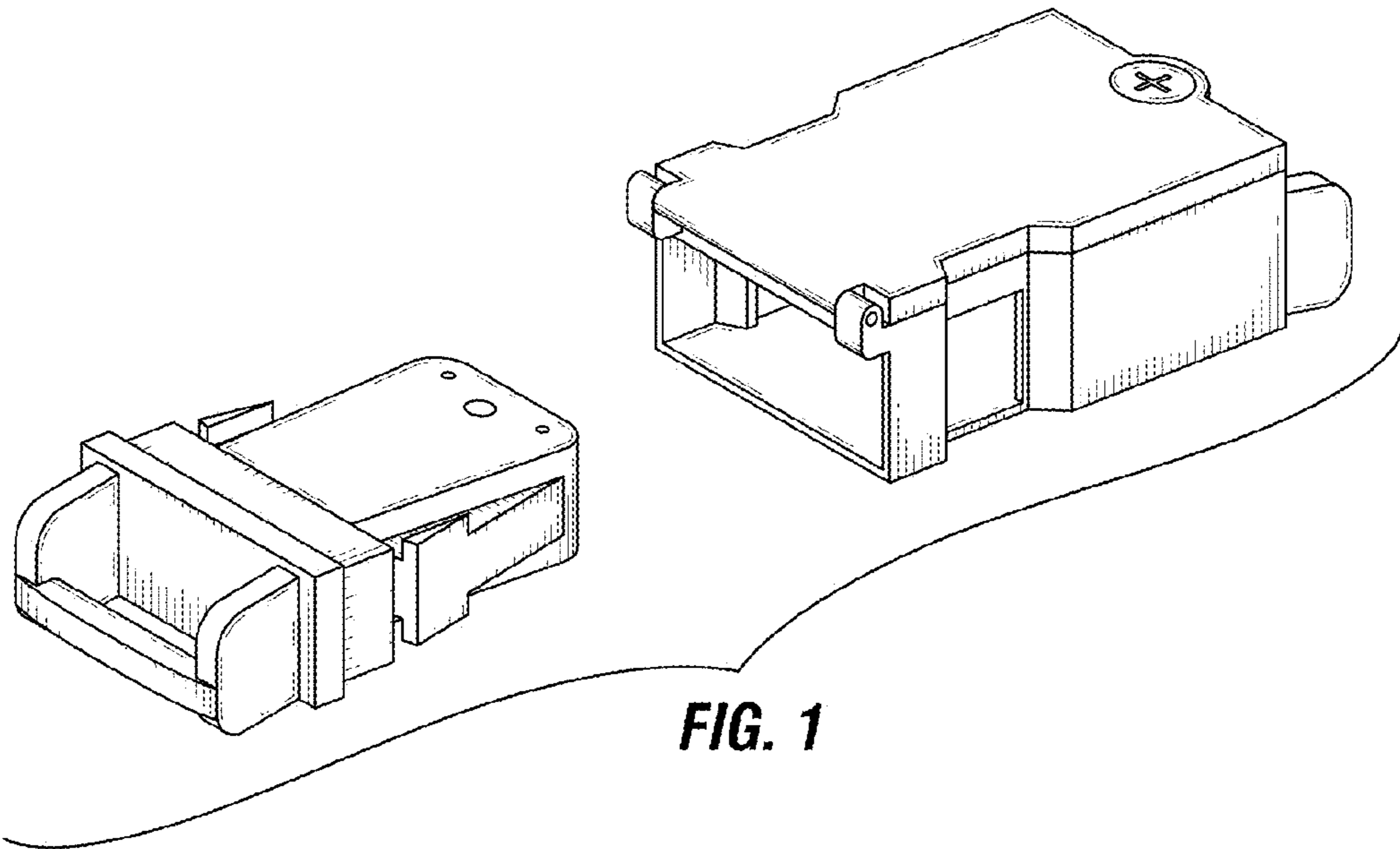


FIG. 2

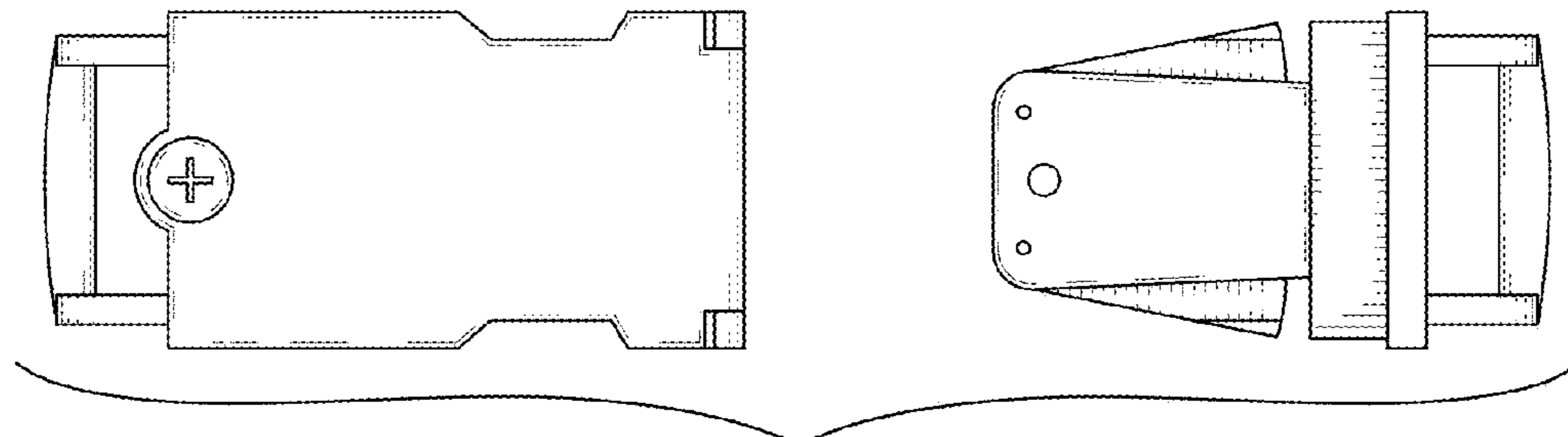


FIG. 3

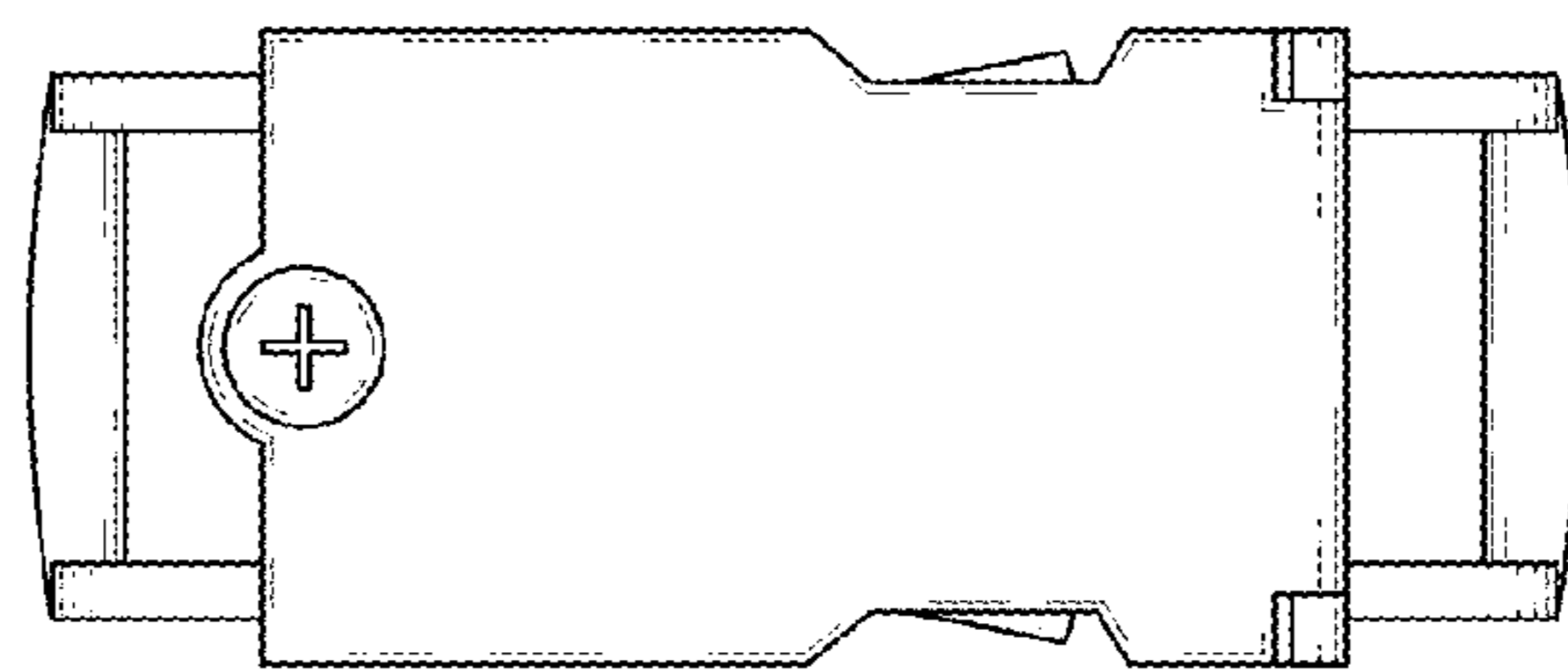


FIG. 4

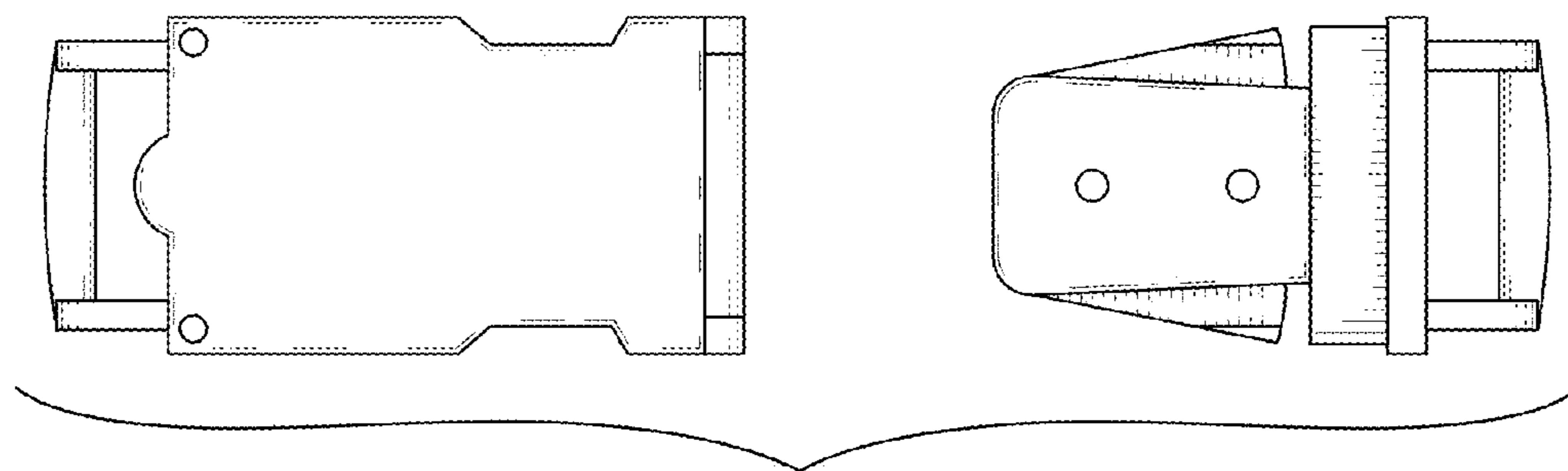


FIG. 5

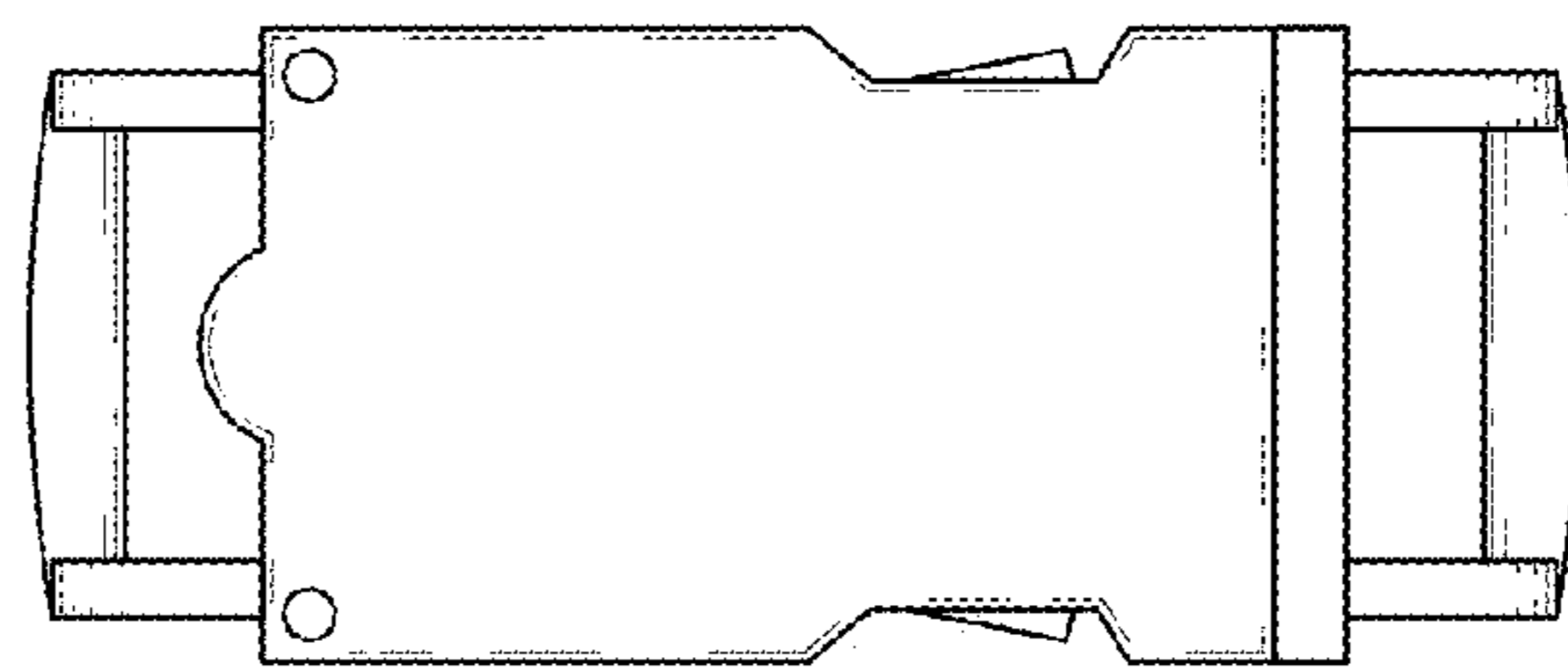


FIG. 6

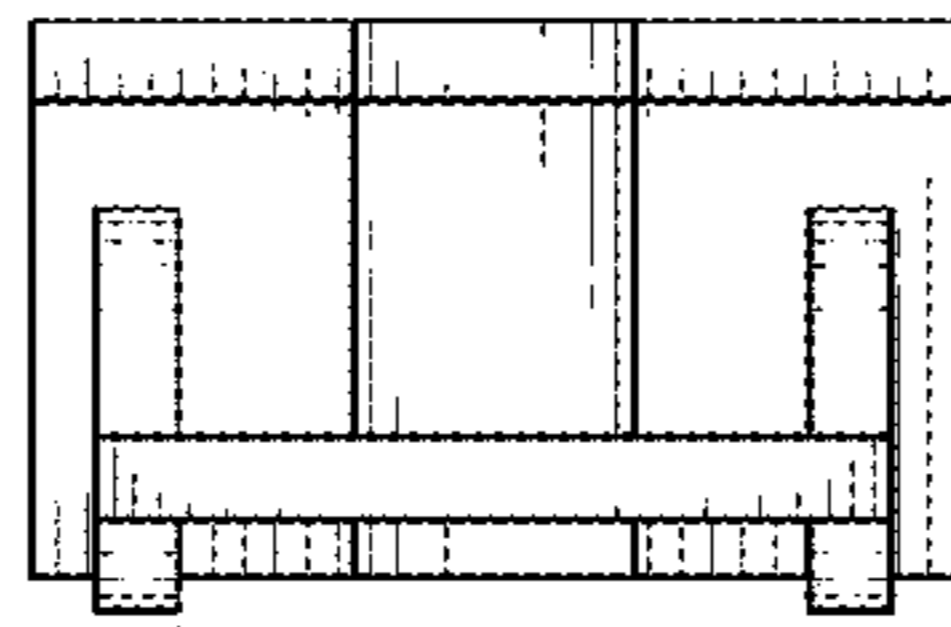


FIG. 7

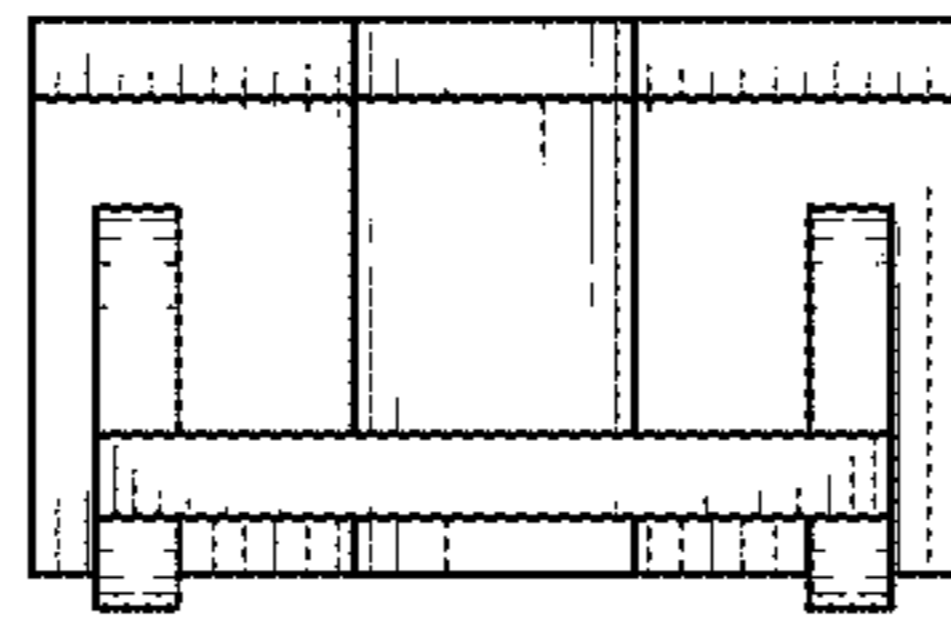


FIG. 8

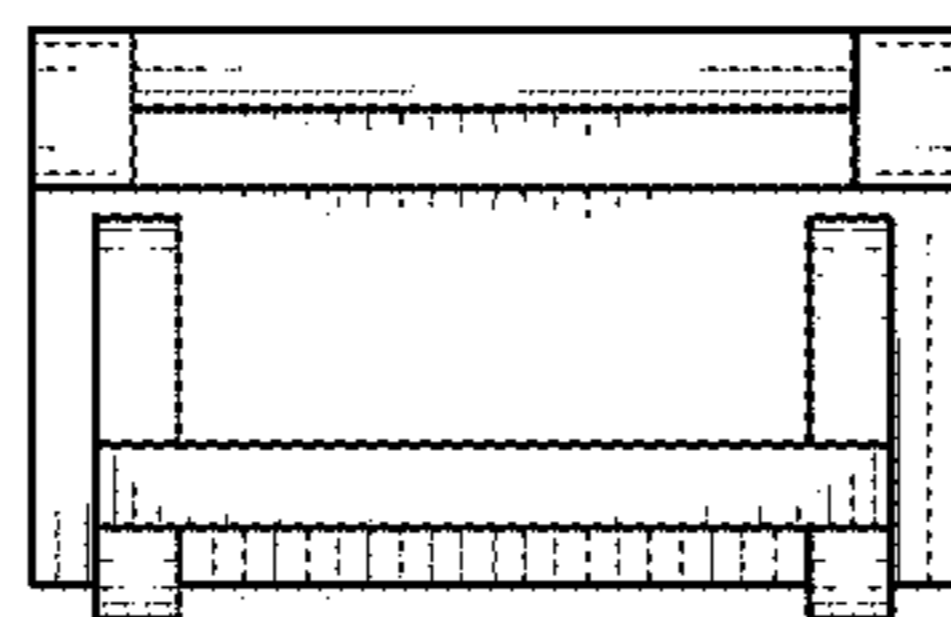


FIG. 9

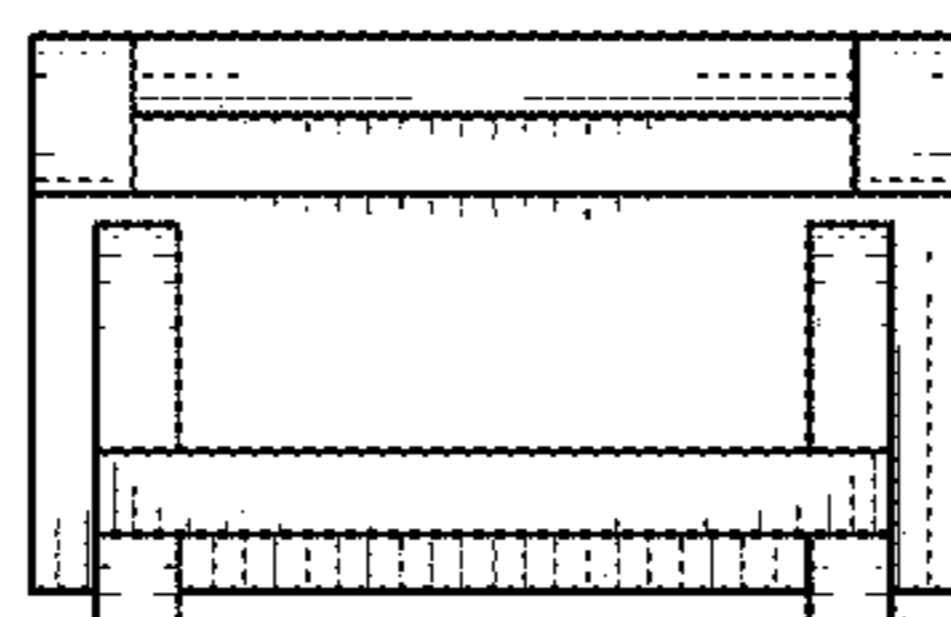


FIG. 10

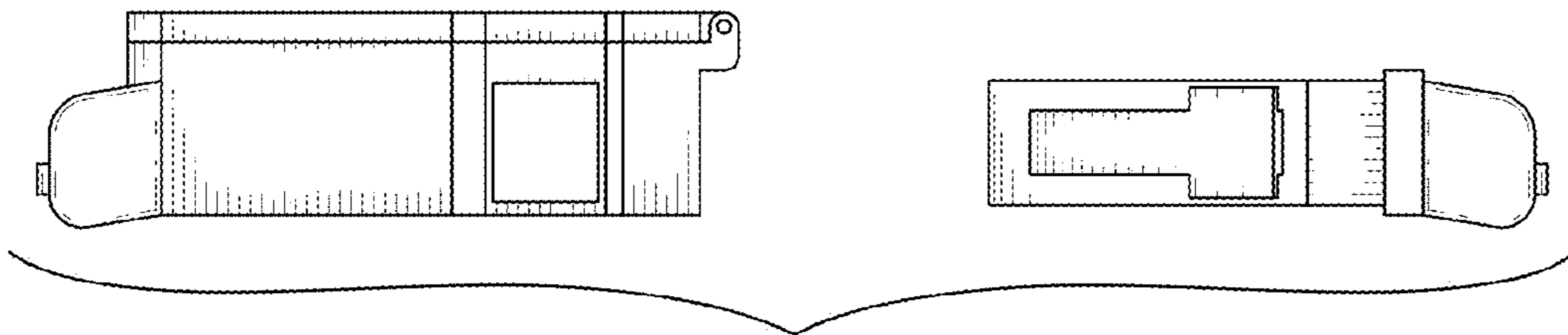


FIG. 11

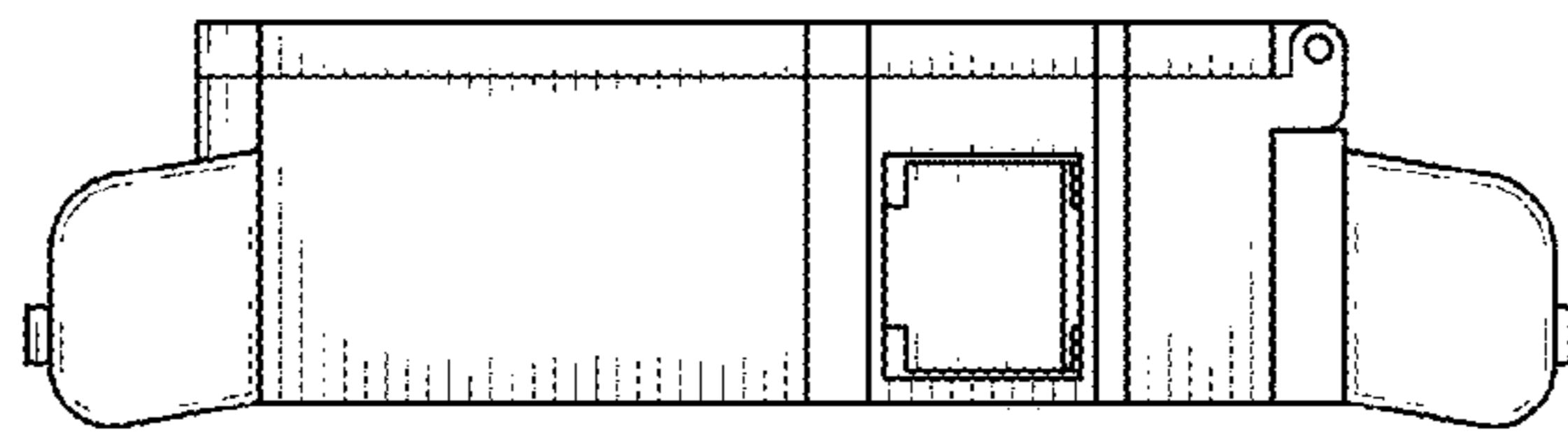


FIG. 12

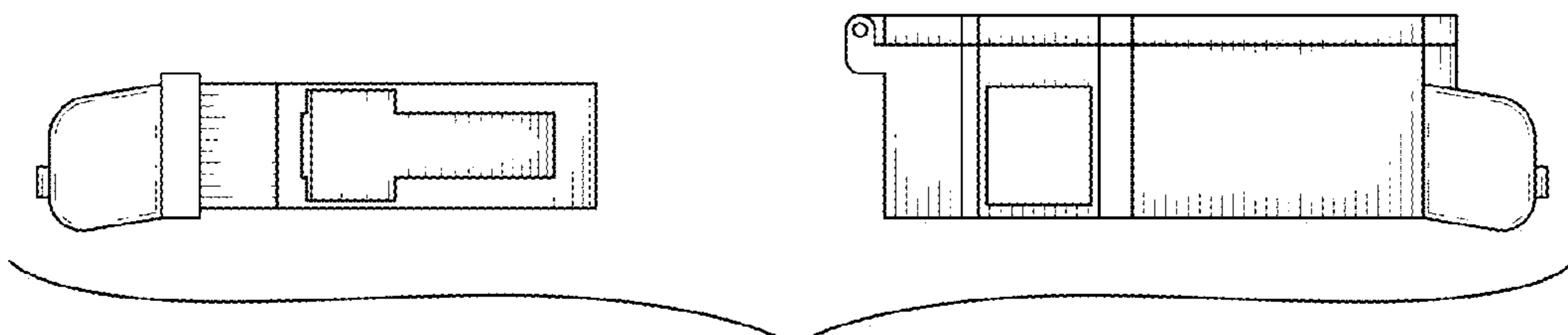


FIG. 13

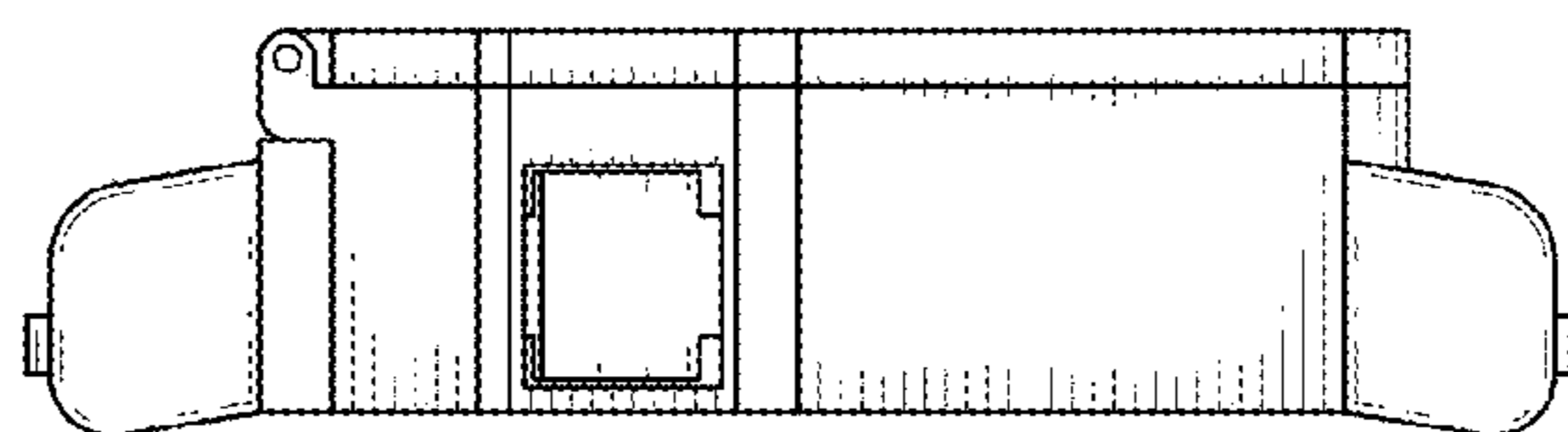


FIG. 14