



US00D725534S

(12) **United States Design Patent**
Ciprari et al.

(10) **Patent No.:** **US D725,534 S**
(45) **Date of Patent:** **** Mar. 31, 2015**

(54) **CUSTOMIZABLE BRACELET**

(74) *Attorney, Agent, or Firm* — Taylor English Duma LLP

(71) Applicant: **Perfectly Mine Designs, LLC**, Atlanta, GA (US)

(72) Inventors: **Ann Marie Ciprari**, Atlanta, GA (US);
Daniel Louis Ciprari, Atlanta, GA (US)

(73) Assignee: **Perfectly Mine Designs, LLC**, Atlanta, GA (US)

(**) Term: **14 Years**

(21) Appl. No.: **29/450,015**

(22) Filed: **Mar. 15, 2013**

(51) **LOC (10) Cl.** **11-01**

(52) **U.S. Cl.**
USPC **D11/5**

(58) **Field of Classification Search**
USPC D11/1-25; 63/3, 3.1, 3.2, 15, 5.1, 1.11,
63/4, 23, 40, 41, 38, 29.1, 29.2
See application file for complete search history.

(56) **References Cited**

PUBLICATIONS

Ciprari, Anne Marie; U.S. Patent Application entitled: Band Accessory, U.S. Appl. No. 14/212,260, filed Mar. 14, 2014; 36 pgs.
Ciprari, Anne Marie; U.S. Provisional Patent Application entitled: Band Accessory, U.S. Appl. No. 61/798,035, filed Mar. 15, 2015; 34 pgs.
Images of bracelet, publicly available prior to Mar. 15, 2013; 19 pgs.

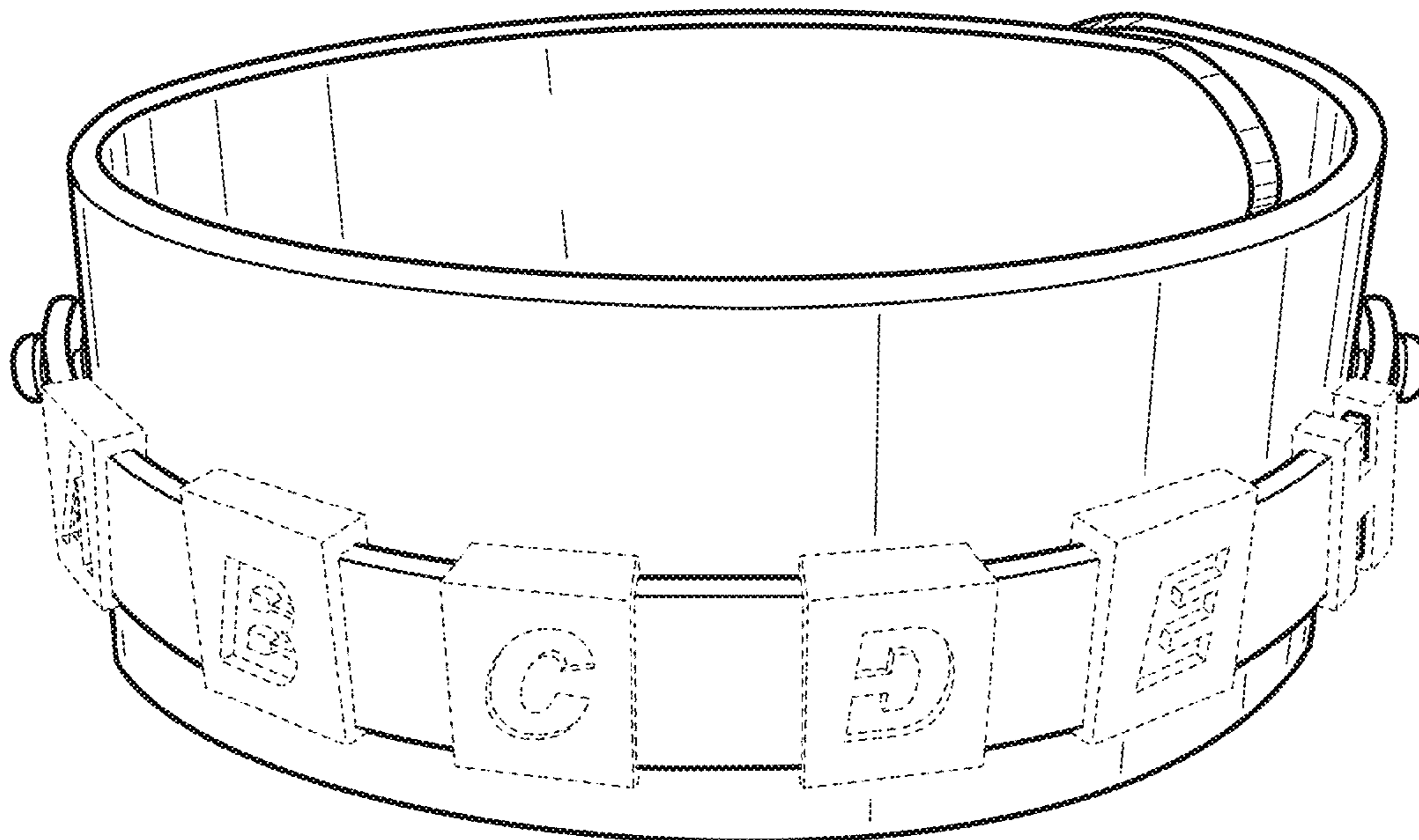
Primary Examiner — Garth Rademaker
Assistant Examiner — Melanie Pellegrini

(57) **CLAIM**
We claim the ornamental design for a customizable bracelet, as shown and described.

DESCRIPTION

FIG. 1 is a perspective view of a customizable bracelet of the design described herein.
FIG. 2 is a left side view thereof.
FIG. 3 is a right side view thereof.
FIG. 4 is a front end view thereof.
FIG. 5 is a back end view thereof.
FIG. 6 is a top side view thereof.
FIG. 7 is a bottom side view thereof.
FIG. 8 is a perspective view of the customizable bracelet in a closed position.
FIG. 9 is a left side view of the customizable bracelet in the closed position.
FIG. 10 is a right side view of the customizable bracelet in the closed position.
FIG. 11 is a front end view of the customizable bracelet in the closed position.
FIG. 12 is a back end view of the customizable bracelet in the closed position.
FIG. 13 is a top side view of the customizable bracelet in the closed position; and,
FIG. 14 is a bottom side view of the customizable bracelet in the closed position.
The broken lines shown in the drawings illustrate environmental matter that forms no part of the claimed design.

1 Claim, 7 Drawing Sheets



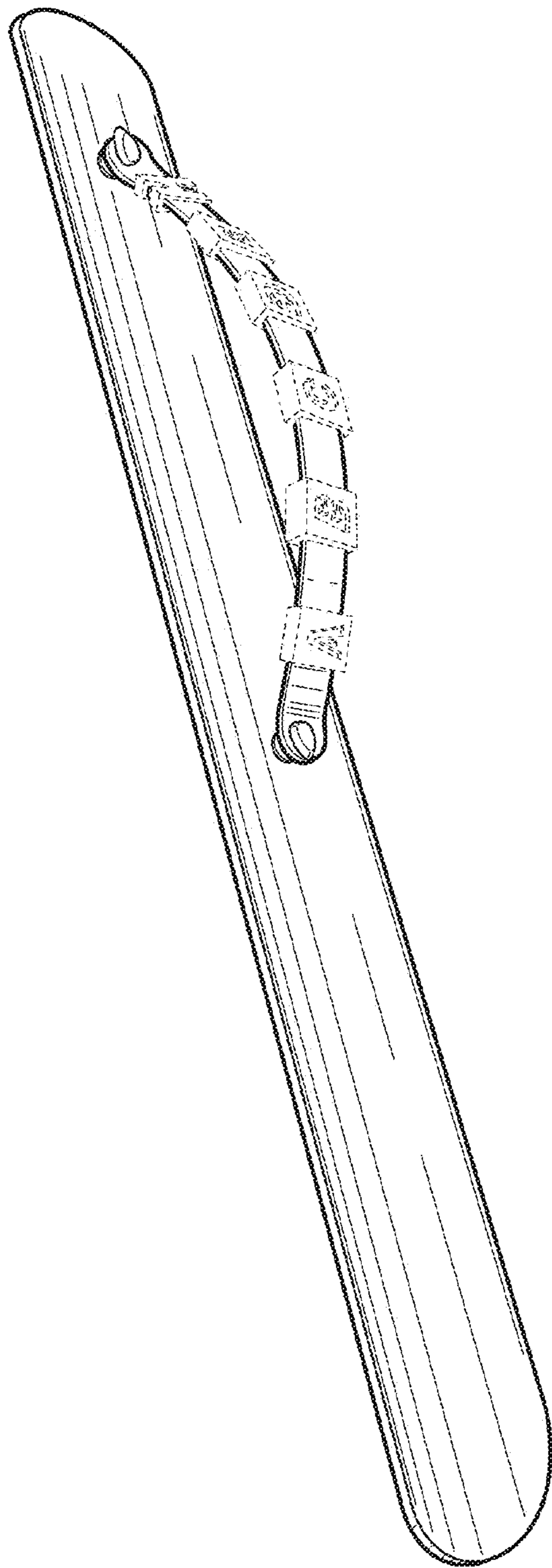


FIG. 1

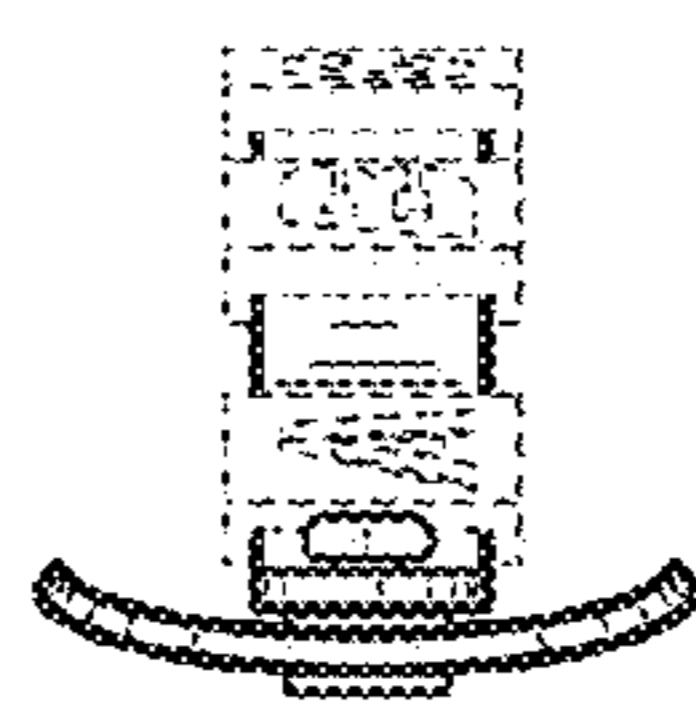


FIG. 2

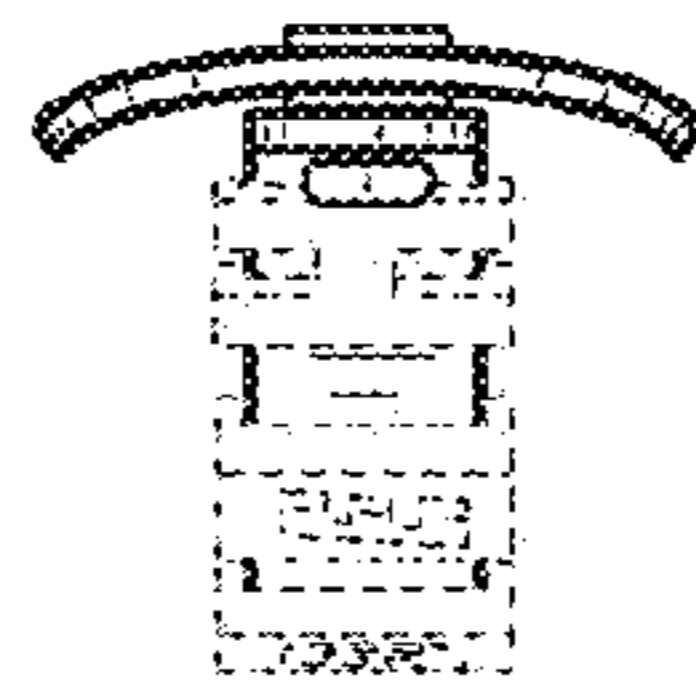


FIG. 3

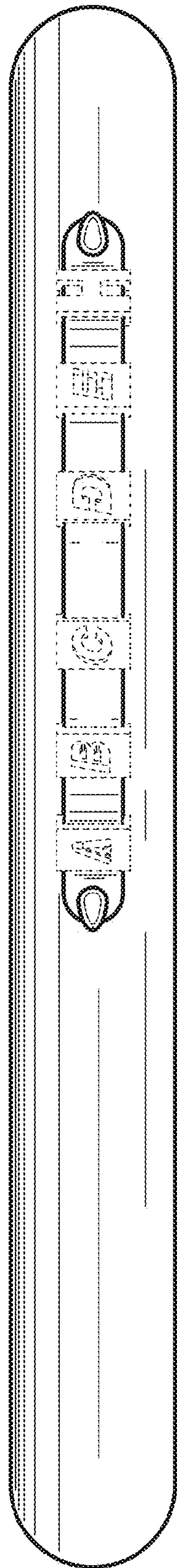


FIG. 4

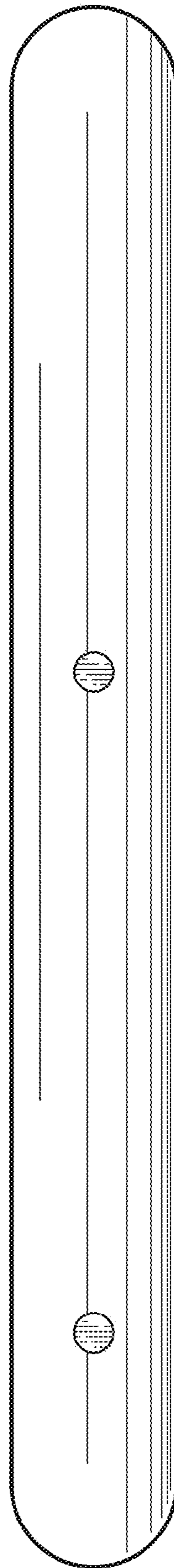


FIG. 5

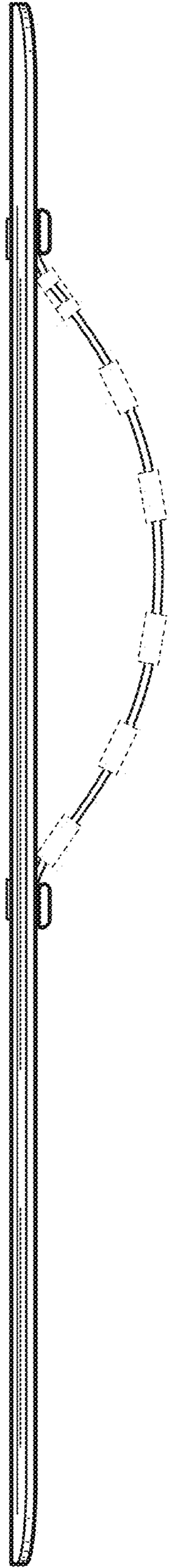


FIG. 6

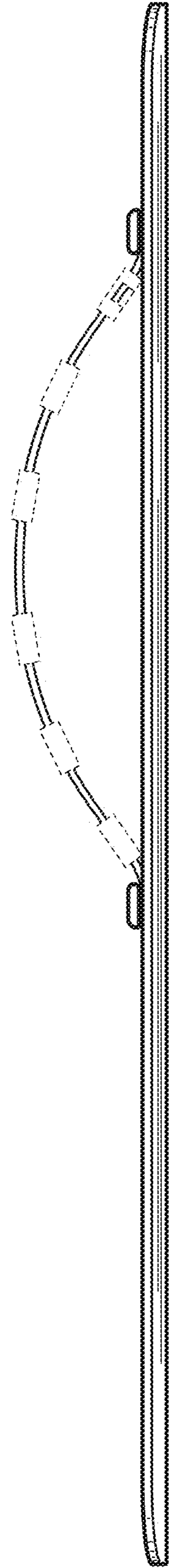


FIG. 7

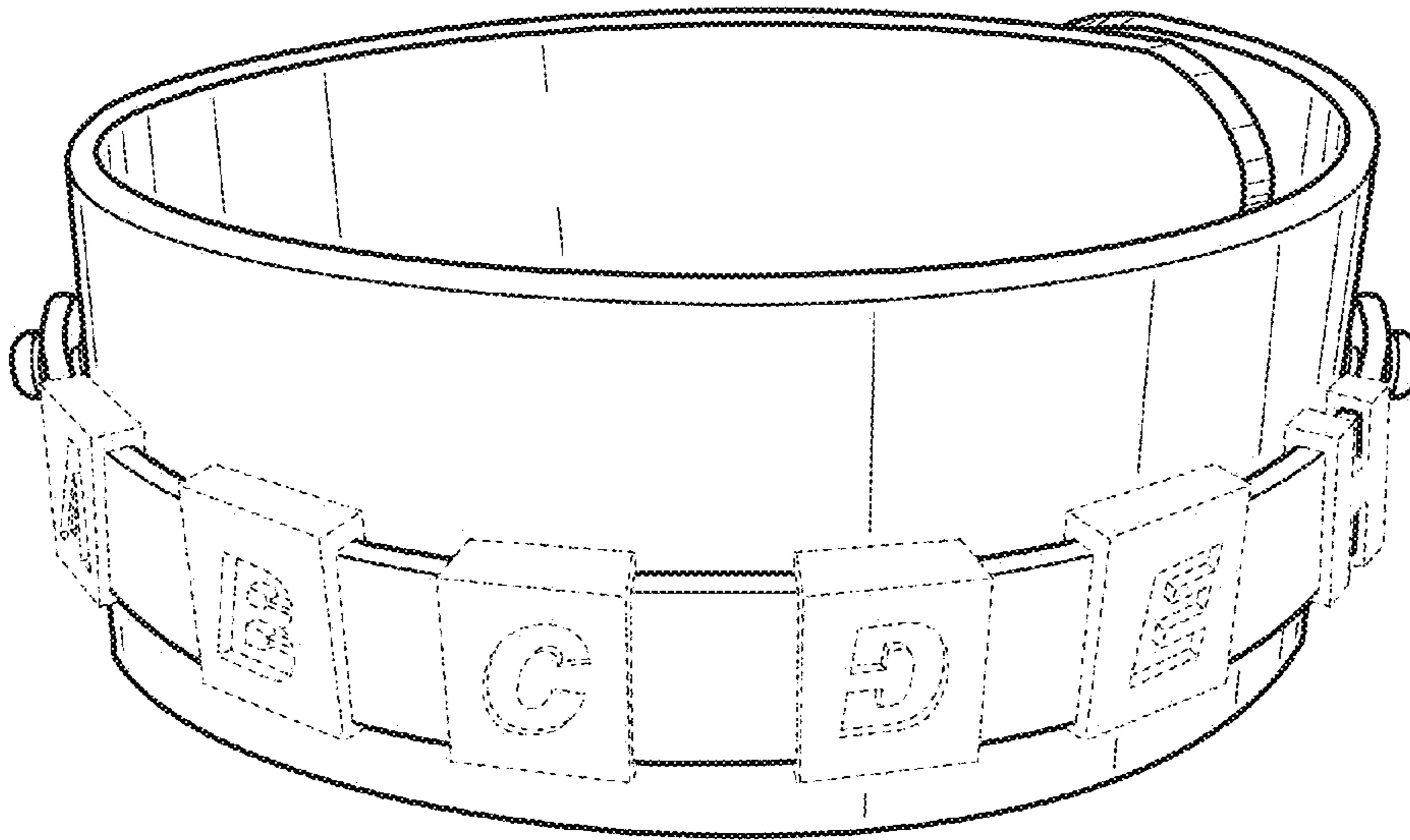


FIG. 8

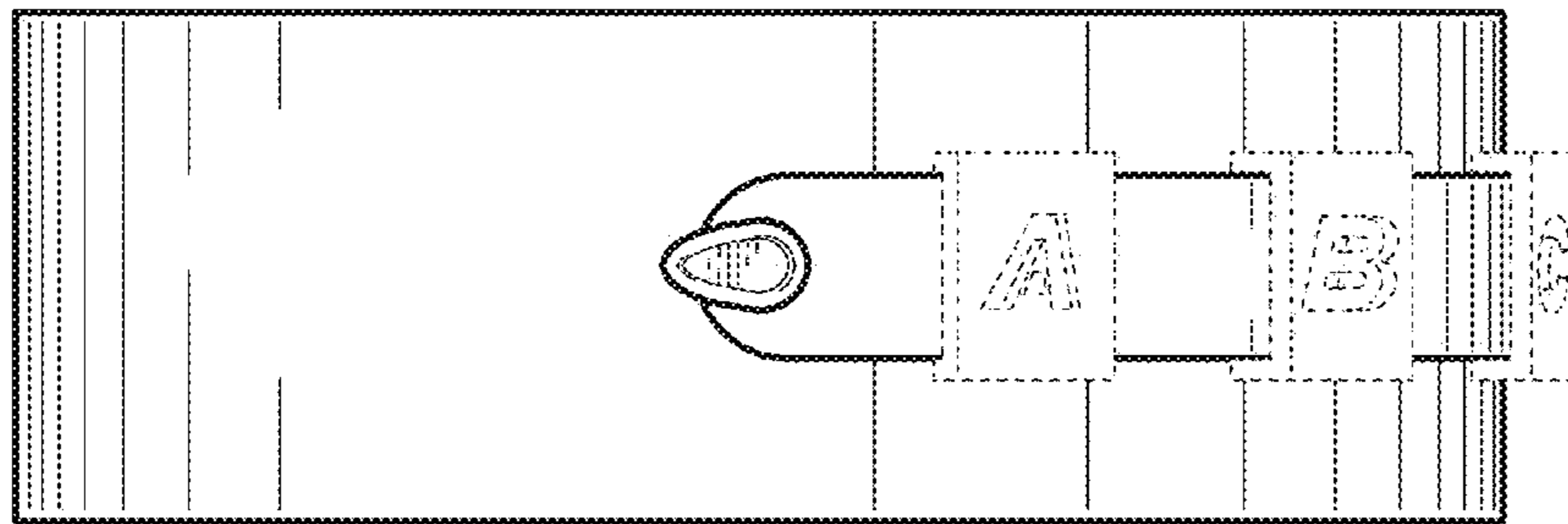


FIG. 9

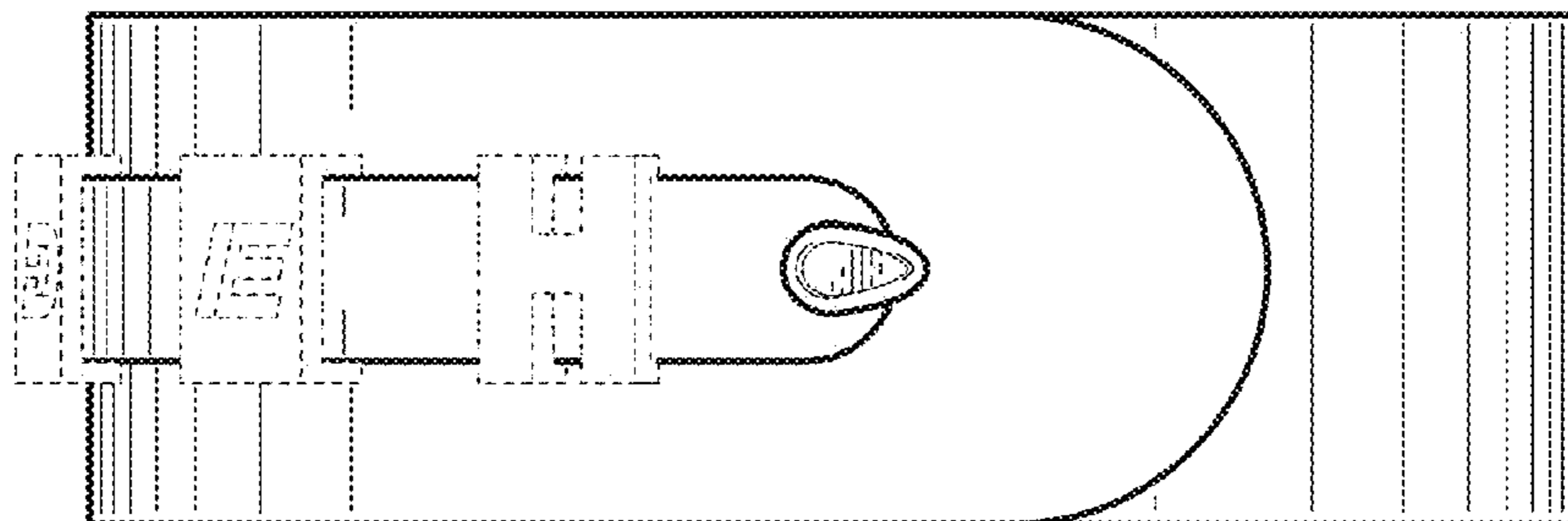


FIG. 10

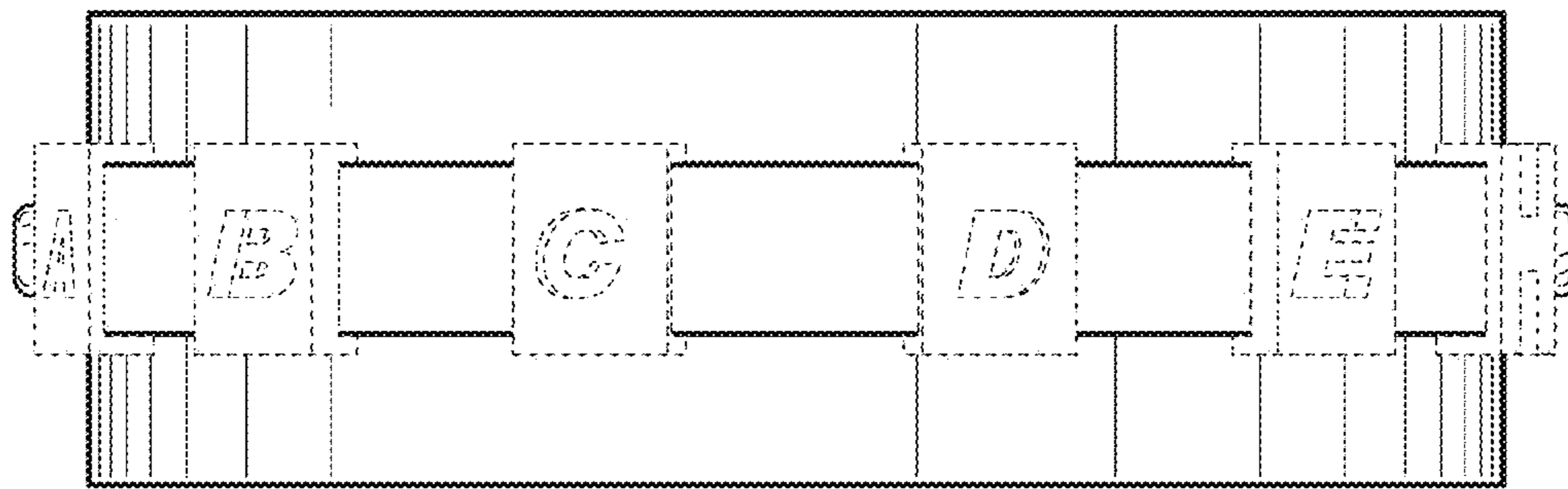


FIG. 11

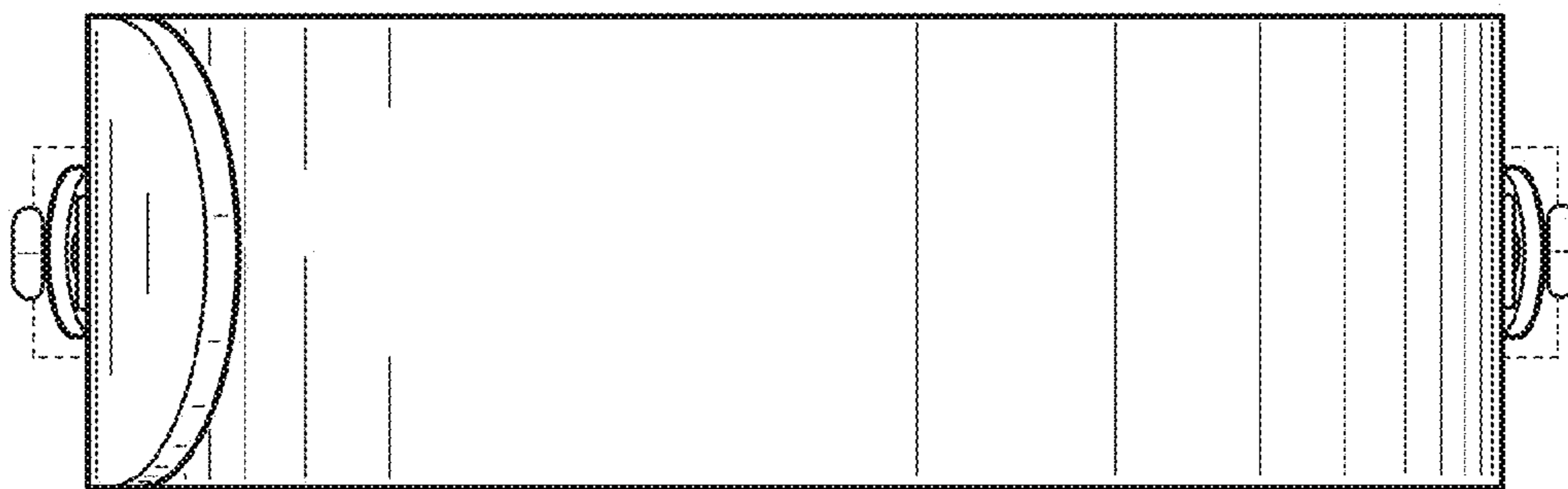


FIG. 12

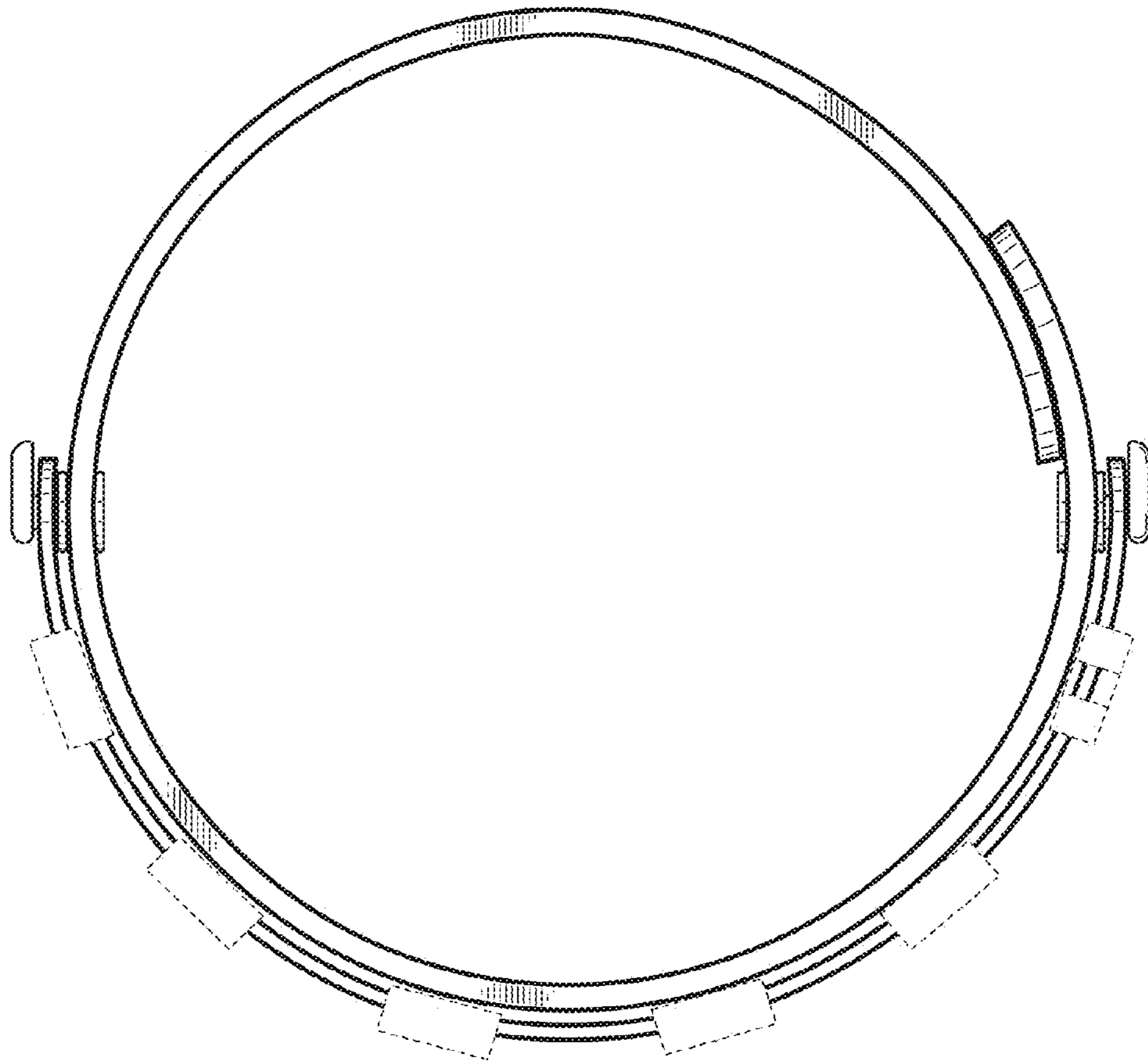


FIG. 13

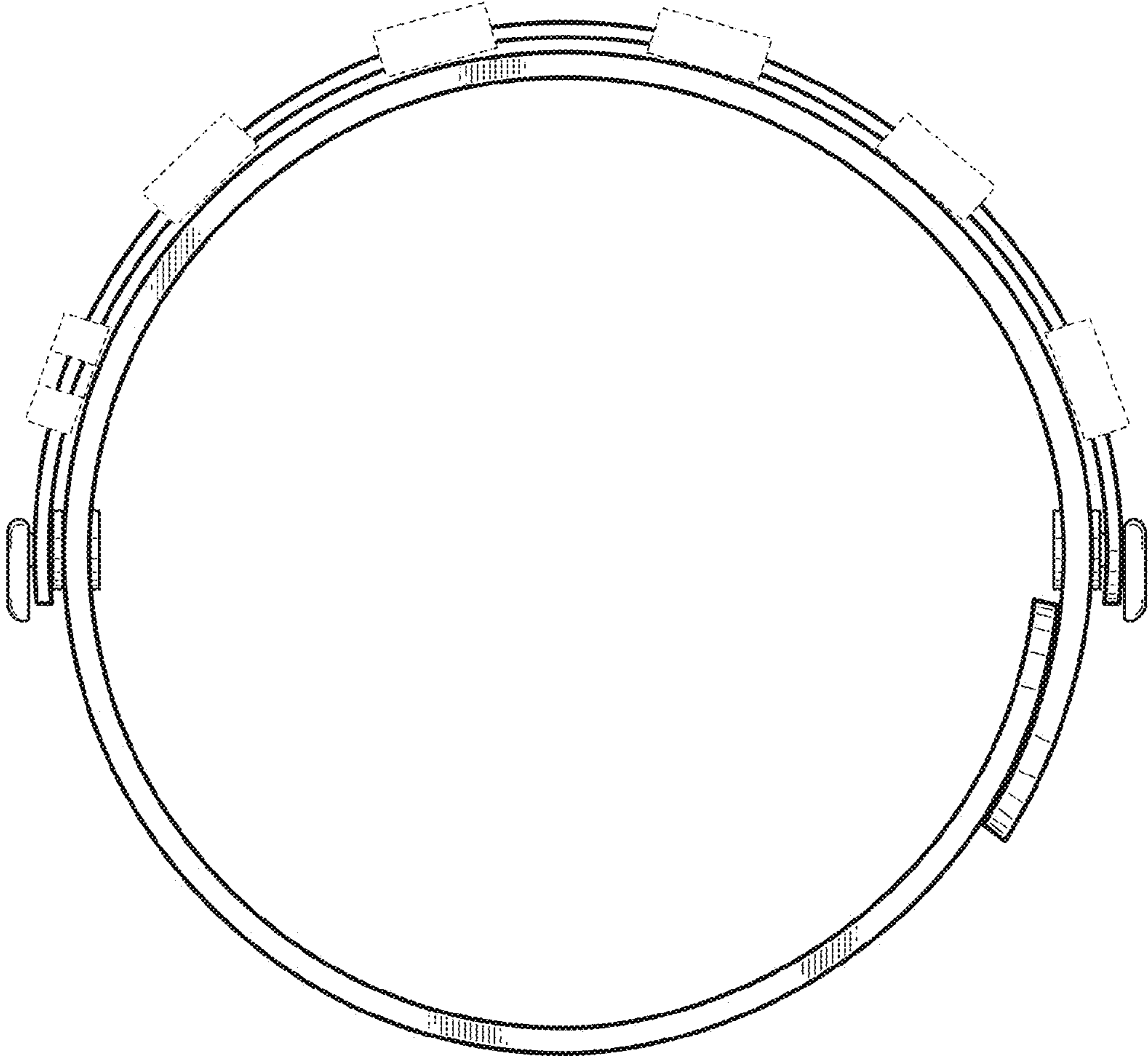


FIG. 14