



US00D725532S

(12) **United States Design Patent**  
**Toub**

(10) **Patent No.:** **US D725,532 S**  
(45) **Date of Patent:** **\*\* Mar. 31, 2015**

(54) **BRACELET**

- (71) Applicant: **Veronica M. Toub**, Los Angeles, CA (US)
- (72) Inventor: **Veronica M. Toub**, Los Angeles, CA (US)
- (73) Assignee: **VMT, LLC**, Los Angeles, CA (US)
- (\*\*) Term: **14 Years**
- (21) Appl. No.: **29/440,845**
- (22) Filed: **Dec. 27, 2012**
- (51) **LOC (10) Cl.** ..... **11-01**
- (52) **U.S. Cl.**  
USPC ..... **D11/3**
- (58) **Field of Classification Search**  
CPC .... A44C 5/209; A44C 5/2095; A44C 11/005;  
A44C 11/002; A44C 15/005  
USPC ..... D11/1-39, 76-85, 201, 221;  
D10/30-33, 38, 39, 109.1, 109.2, 128;  
D24/167, 186, 206; D14/344;  
D30/152; D7/633; D3/203.1, 203.2,  
D3/201, 215, 226; D2/894; 63/1.11, 3, 3.1,  
63/3.2, 4, 5.1, 5.2, 7, 15, 15.1-15.4, 15.45,  
63/15.5, 15.65, 15.7, 21; 368/281, 282;  
2/16, 22, 59, 125, 126; 224/219  
See application file for complete search history.

(56) **References Cited**

**U.S. PATENT DOCUMENTS**

|              |      |         |               |       |         |
|--------------|------|---------|---------------|-------|---------|
| 1,585,644    | A *  | 5/1926  | Binns et al.  | ..... | D11/221 |
| 4,368,562    | A *  | 1/1983  | Minami        | ..... | D11/221 |
| D602,800     | S *  | 10/2009 | Sorenson      | ..... | D11/5   |
| D634,231     | S *  | 3/2011  | Donofrio      | ..... | D11/3   |
| 2003/0019085 | A1 * | 1/2003  | Loglisci      | ..... | 24/381  |
| 2010/0269312 | A1 * | 10/2010 | Wagner et al. | ..... | 24/381  |

**OTHER PUBLICATIONS**

- Zipper bangle, MeanStreets Los Angeles, online. Site visited Apr. 15, 2014. Internet URL: <"http://meanstreetsla.com/products/zipper-bangle">.\*
- Jennifer Fisher Large Zipper Bangle, ModaOperandi.com, published Fall 2012, online. Site visited Apr. 16, 2014. Internet URL: <"http://modaoperandi.com/linda-farrow/fallwinter-2012/rtw-371/item/jennifer-fisher-large-zipper-bangle-51191">.\*
- Dotty Cuff Bracelet—From a Zipper!, SewingSecrets.com, published Sep. 11, 2012, online blog. Site visited Apr. 15, 2014. Internet URL: <"http://coatsandclarksewingsecrets.com/blogcategory/sewing/dotty-cuff-bracelet-from-a-zipper-2">.\*
- Zipper Bracelet by Ronald Pineau, Farfetch.com, online. Site visited Apr. 16, 2014. Internet URL: <"http://www.farfetch.com/shopping/women/ronald-pineau-zipper-bracelet-item-10637173.aspx">.\*

(Continued)

*Primary Examiner* — Garth Rademaker  
*Assistant Examiner* — Llorellys Martinez-Rivera  
(74) *Attorney, Agent, or Firm* — Venable LLP

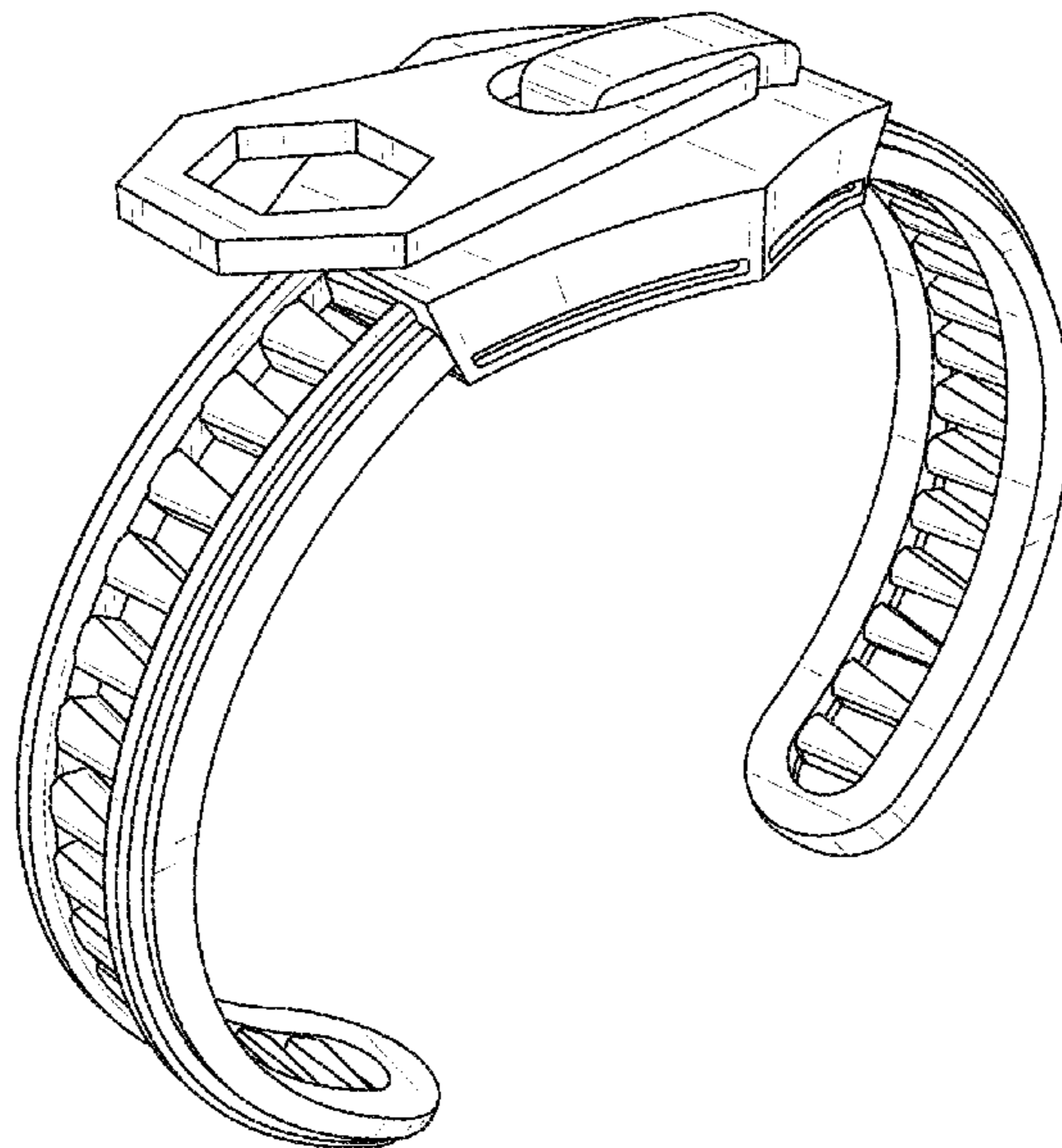
(57) **CLAIM**

The ornamental design for a bracelet, as shown and described.

**DESCRIPTION**

FIG. 1 is a right perspective view of a bracelet, showing my new design in a first position of use;  
FIG. 2 is a right perspective view of the bracelet of FIG. 1, moved to a second alternative position;  
FIG. 3 is a right perspective view of the bracelet of FIG. 1, moved to a third alternative position  
FIG. 4 is a left side view of the bracelet of FIG. 1;  
FIG. 5 is a right side view of the bracelet of FIG. 1;  
FIG. 6 is a top view of the bracelet of FIG. 1;  
FIG. 7 is a bottom view of the bracelet of FIG. 1;  
FIG. 8 is a back view of the bracelet of FIG. 1; and,  
FIG. 9 is a front view of the bracelet of FIG. 1.

**1 Claim, 9 Drawing Sheets**



(56)

**References Cited**

OTHER PUBLICATIONS

Silver gold and silver-plated zip bracelet by Eddie Borgo, Net-a-porter.com, online. Site visited Apr. 16, 2014. Internet URL: <“http://www.net-a-porter.com/am/product/422969”>.\*

Steve Madden Gold-Tone Zipper Ring, Macys.com, online. Site visited Apr. 16, 2014. Internet URL: <“http://www1.macys.com/shop/product/steve-madden-gold-tone-zipper-ring?ID=1233192&CategoryID=55285&LinkType=PDPZ1”>.\*

\* cited by examiner

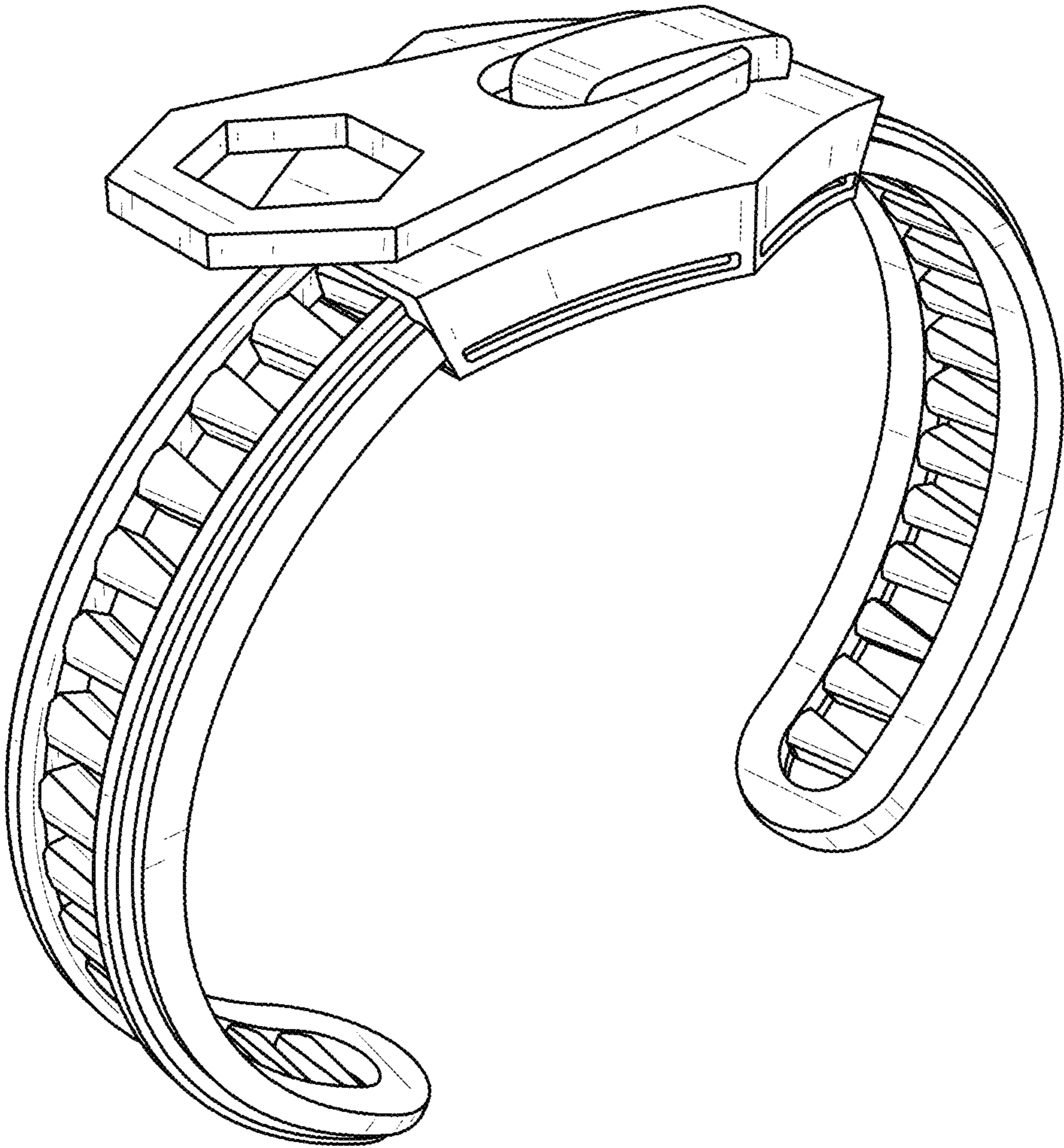


FIG. 1

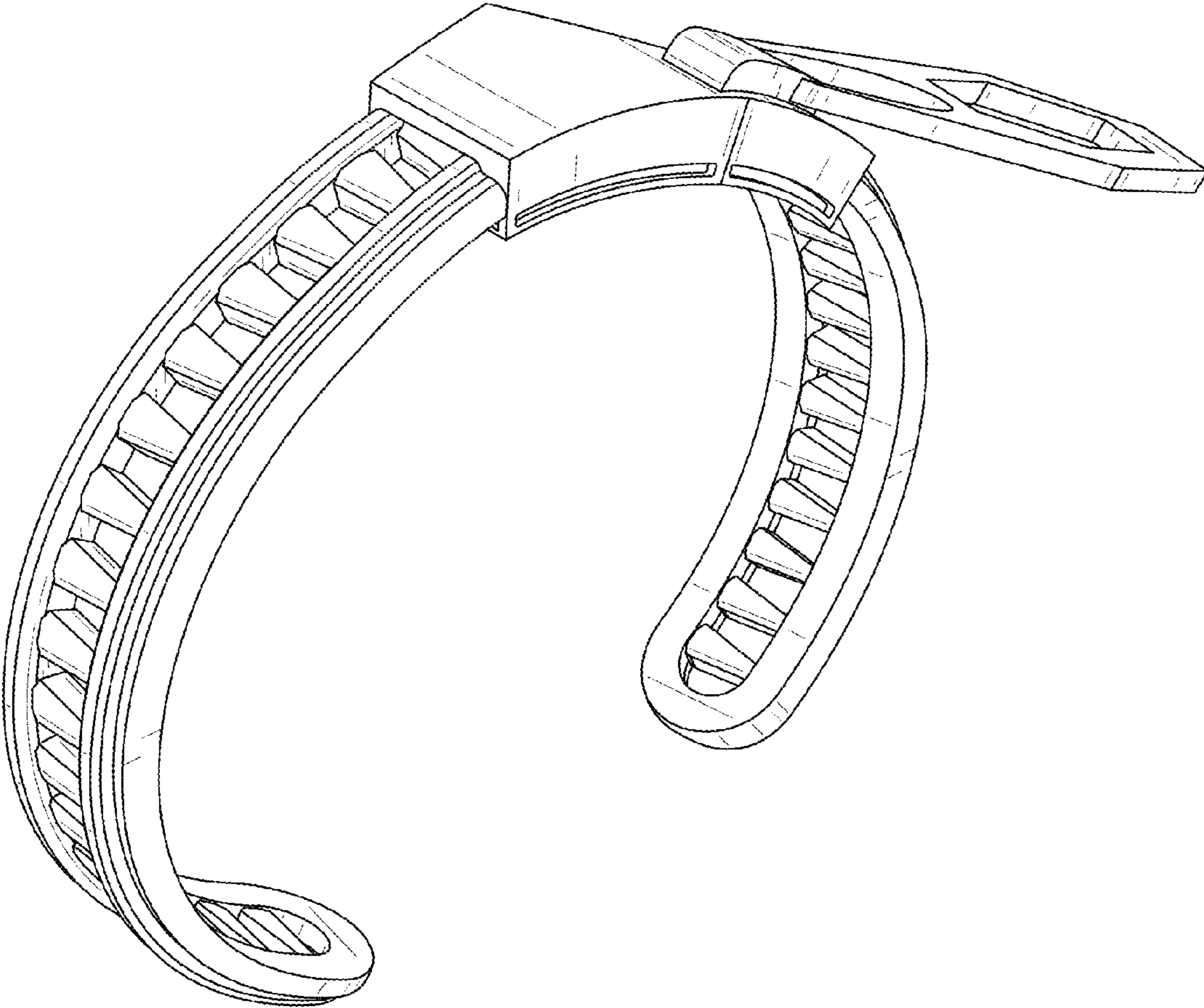


FIG. 2



FIG. 3

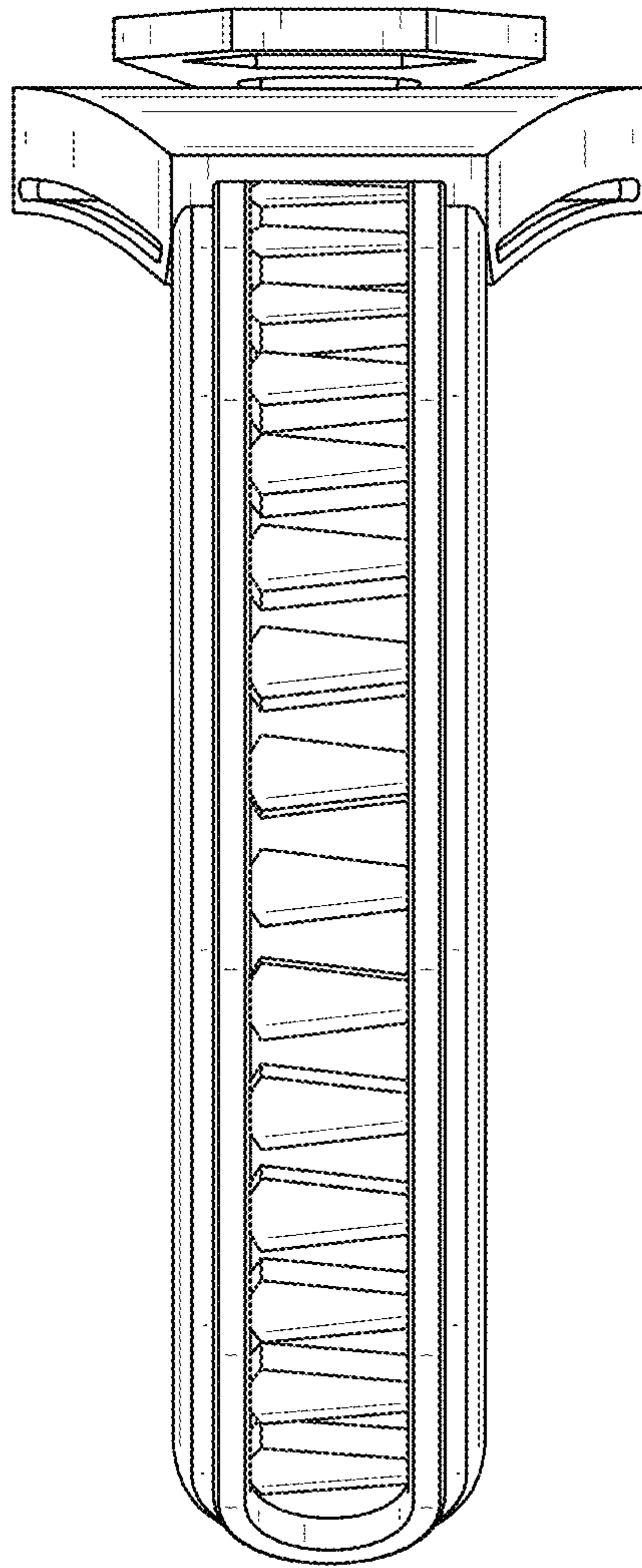


FIG. 4

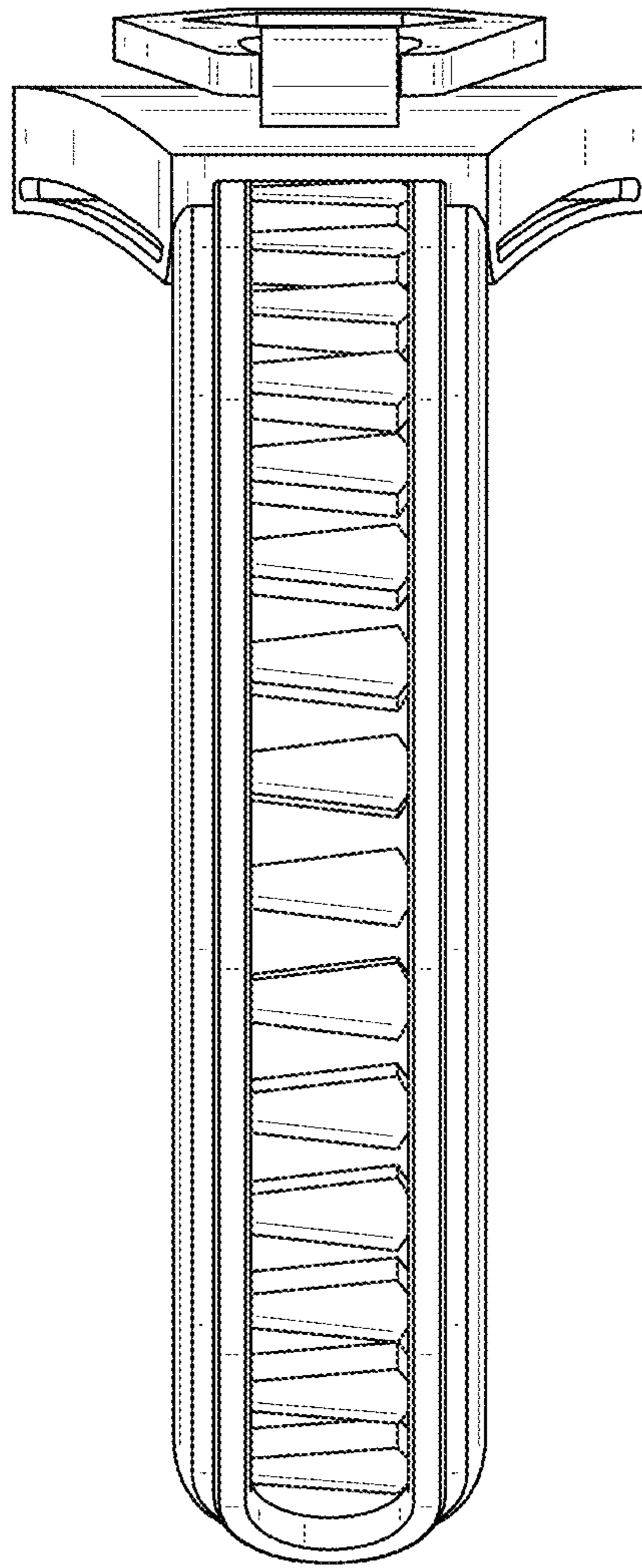


FIG. 5

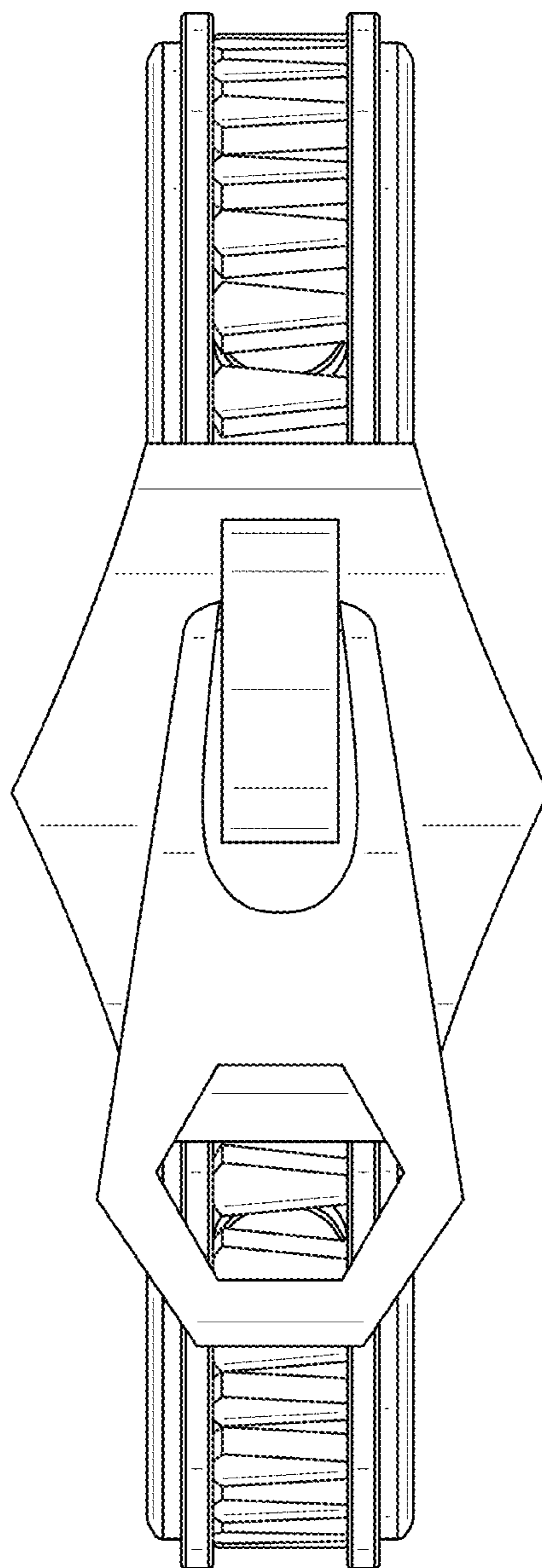


FIG. 6



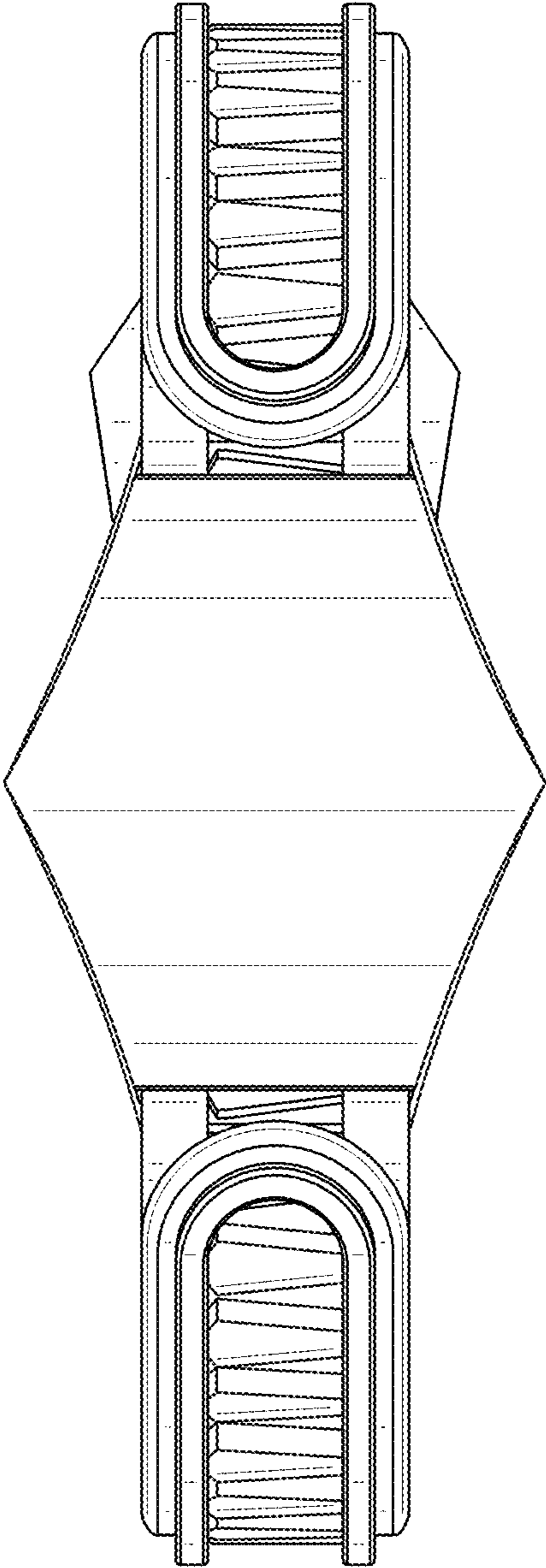


FIG. 7

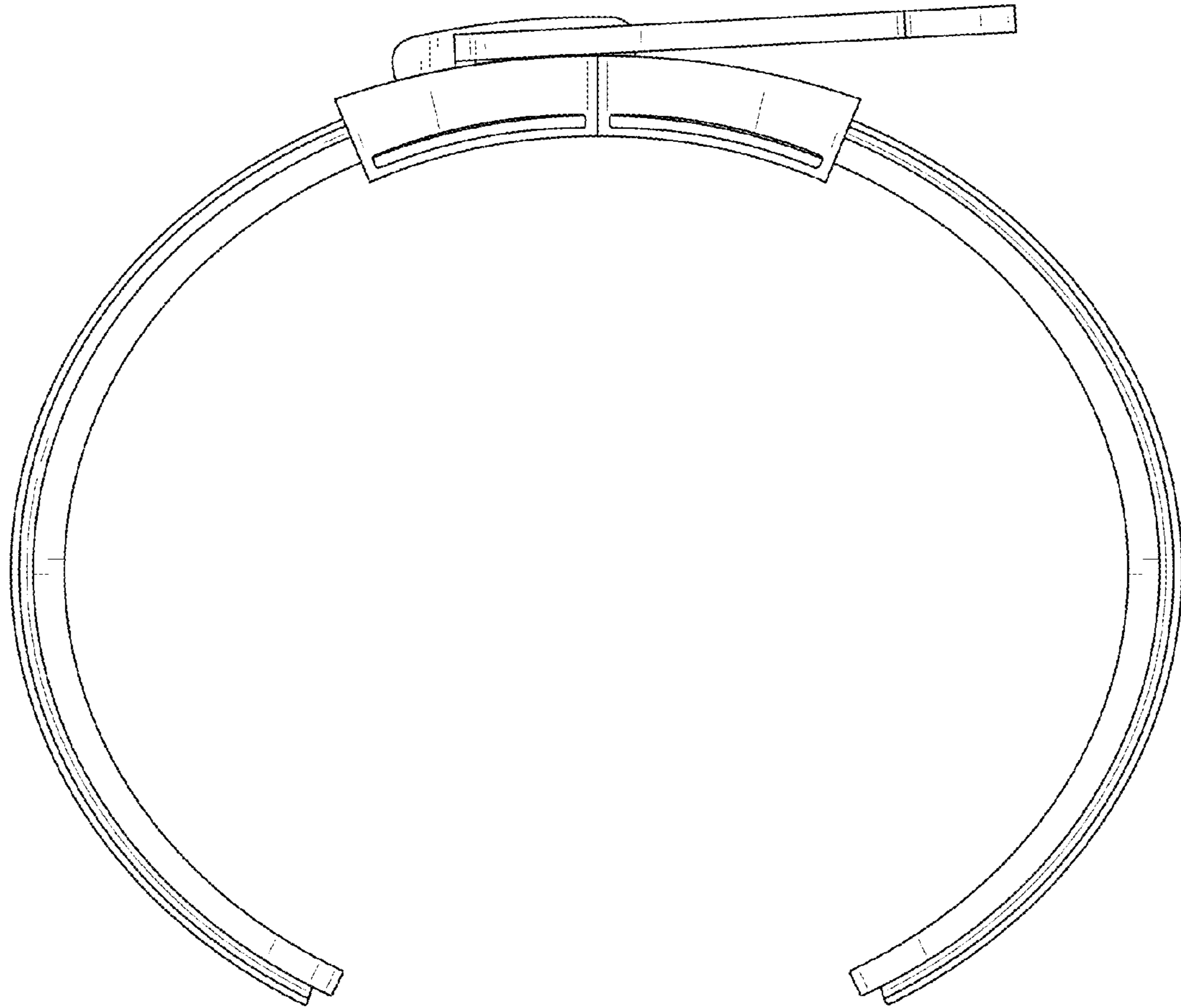


FIG. 8

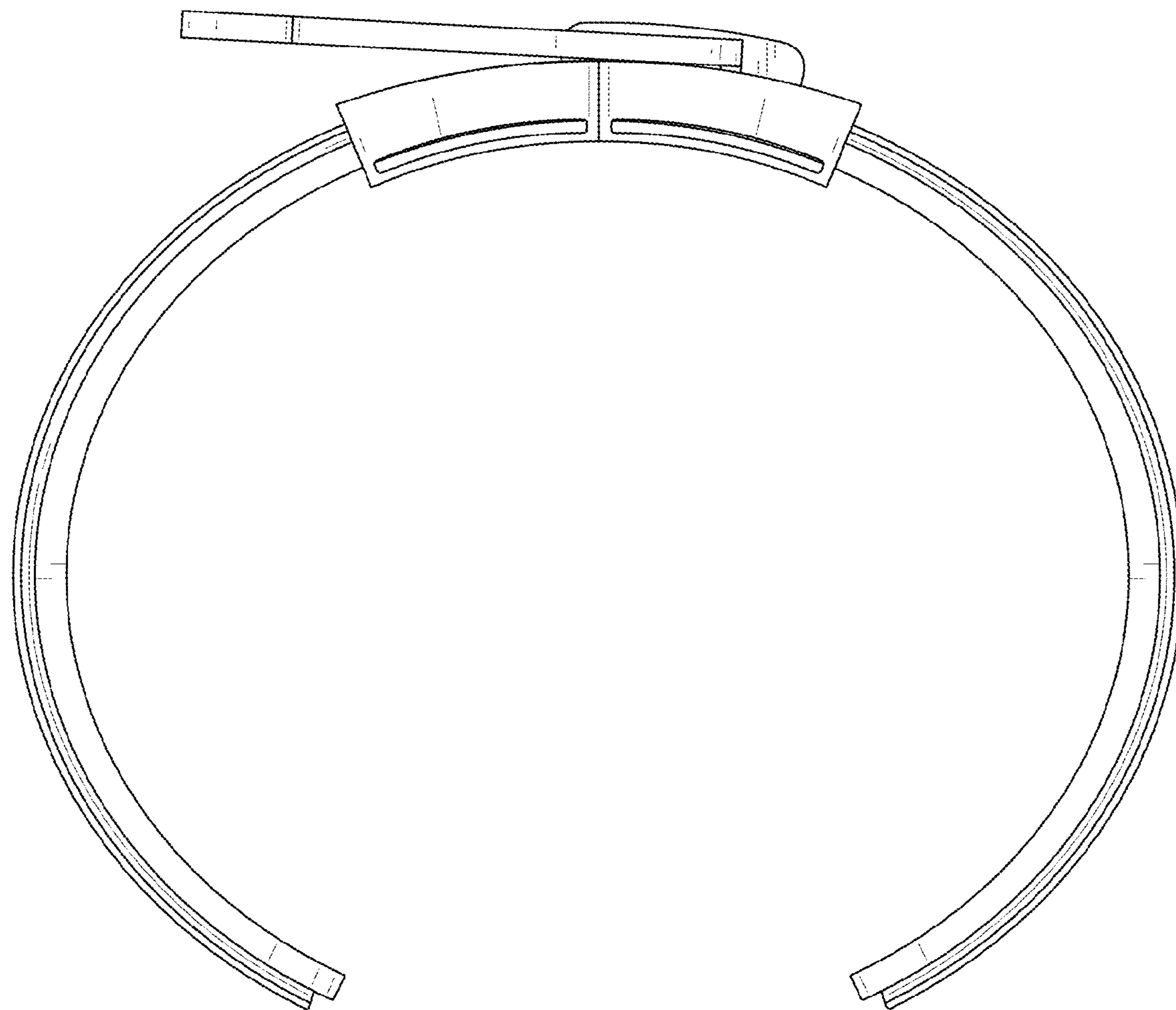


FIG. 9