



US00D725531S

(12) **United States Design Patent**
Gueit

(10) **Patent No.:** **US D725,531 S**
(45) **Date of Patent:** **** Mar. 31, 2015**

- (54) **WINDING CROWN**
- (71) Applicant: **Rolex Watch U.S.A., Inc.**, New York, NY (US)
- (72) Inventor: **Emmanuel Gueit**, Geneva (CH)
- (73) Assignee: **Rolex Watch U.S.A., Inc.**, New York, NY (US)
- (**) Term: **14 Years**
- (21) Appl. No.: **29/486,118**
- (22) Filed: **Mar. 26, 2014**
- (30) **Foreign Application Priority Data**
Dec. 20, 2013 (CH) 140343
- (51) **LOC (10) Cl.** **10-07**
- (52) **U.S. Cl.**
USPC **D10/131**
- (58) **Field of Classification Search**
USPC D10/30-39, 122-132; 368/276, 281, 368/282, 285, 319, 320, 321, 306, 308
See application file for complete search history.

D608,223	S *	1/2010	Salanitro	D10/38
D624,443	S *	9/2010	Cerrato	D10/38
D655,631	S *	3/2012	Ruefenacht	D10/39
8,282,271	B2 *	10/2012	Kressmann et al.	368/319
D692,778	S *	11/2013	Duport et al.	D10/39
D693,244	S *	11/2013	Duport et al.	D10/39
D697,435	S *	1/2014	Duport et al.	D10/39
8,714,814	B2 *	5/2014	Altenhoven et al.	368/316
D707,138	S *	6/2014	Kamata	D10/39
D707,572	S *	6/2014	Calvani	D10/39
8,740,451	B2 *	6/2014	Gourdin	368/308
8,764,284	B2 *	7/2014	Briswalter et al.	368/308
2013/0100782	A1 *	4/2013	Cattaneo et al.	368/308
2013/0114383	A1 *	5/2013	Gourdin	368/308

* cited by examiner

Primary Examiner — Lucy Lieberman
(74) *Attorney, Agent, or Firm* — Sughrue Mion, PLLC

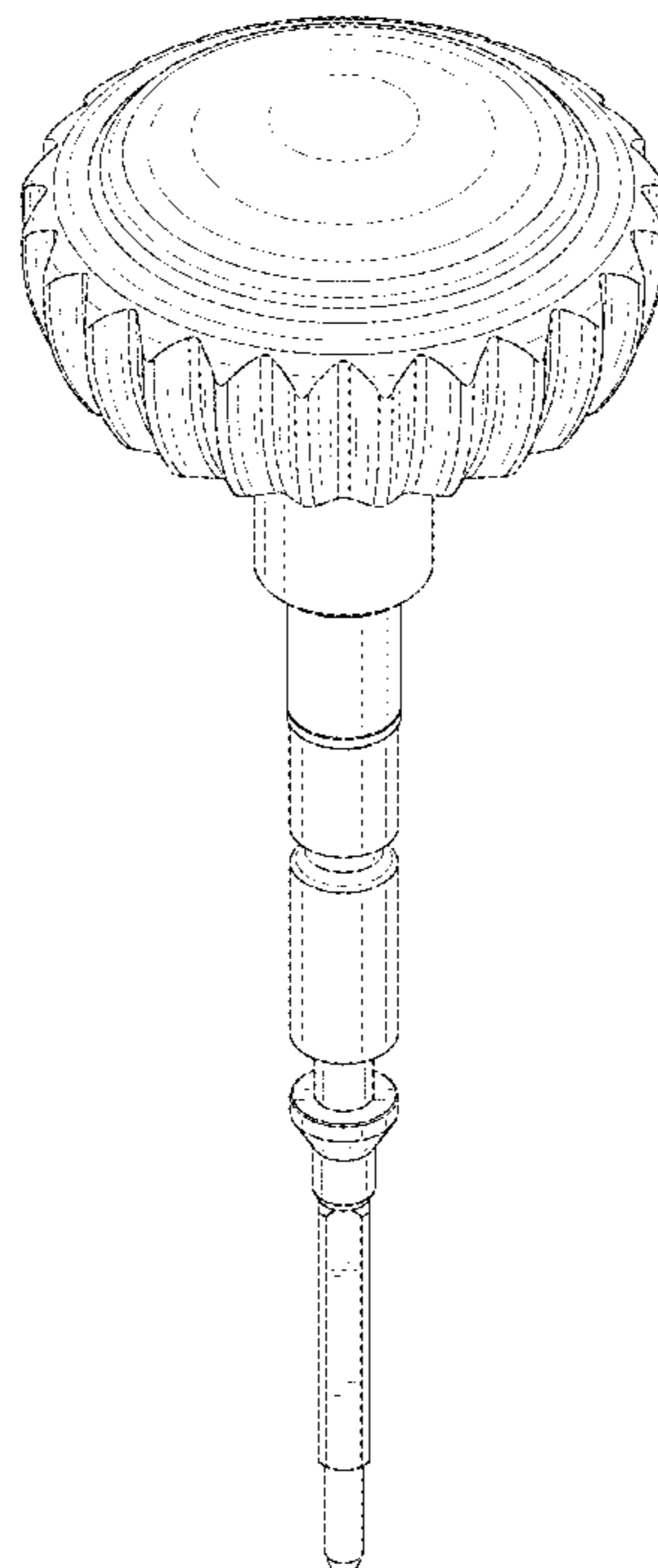
- (56) **References Cited**
U.S. PATENT DOCUMENTS
D69,984 S * 4/1926 Conant D10/131
2,690,644 A * 10/1954 Vermot 368/308
4,979,156 A * 12/1990 Kester 368/289
D358,776 S * 5/1995 Pandel D10/30
7,293,911 B2 * 11/2007 Bonvin et al. 368/97
7,540,655 B2 * 6/2009 Speichinger 368/190

(57) **CLAIM**
The ornamental design for a winding crown, as shown and described.

DESCRIPTION

FIG. 1 is a perspective view of the winding crown according to my new design;
FIG. 2 is a first side view thereof;
FIG. 3 is a second side view thereof rotated 90 degrees from FIG. 2;
FIG. 4 is a third side view thereof rotated 90 degrees from FIG. 3;
FIG. 5 is a fourth side view thereof rotated 90 degrees from FIG. 4; and,
FIG. 6 is an end view thereof.

1 Claim, 6 Drawing Sheets



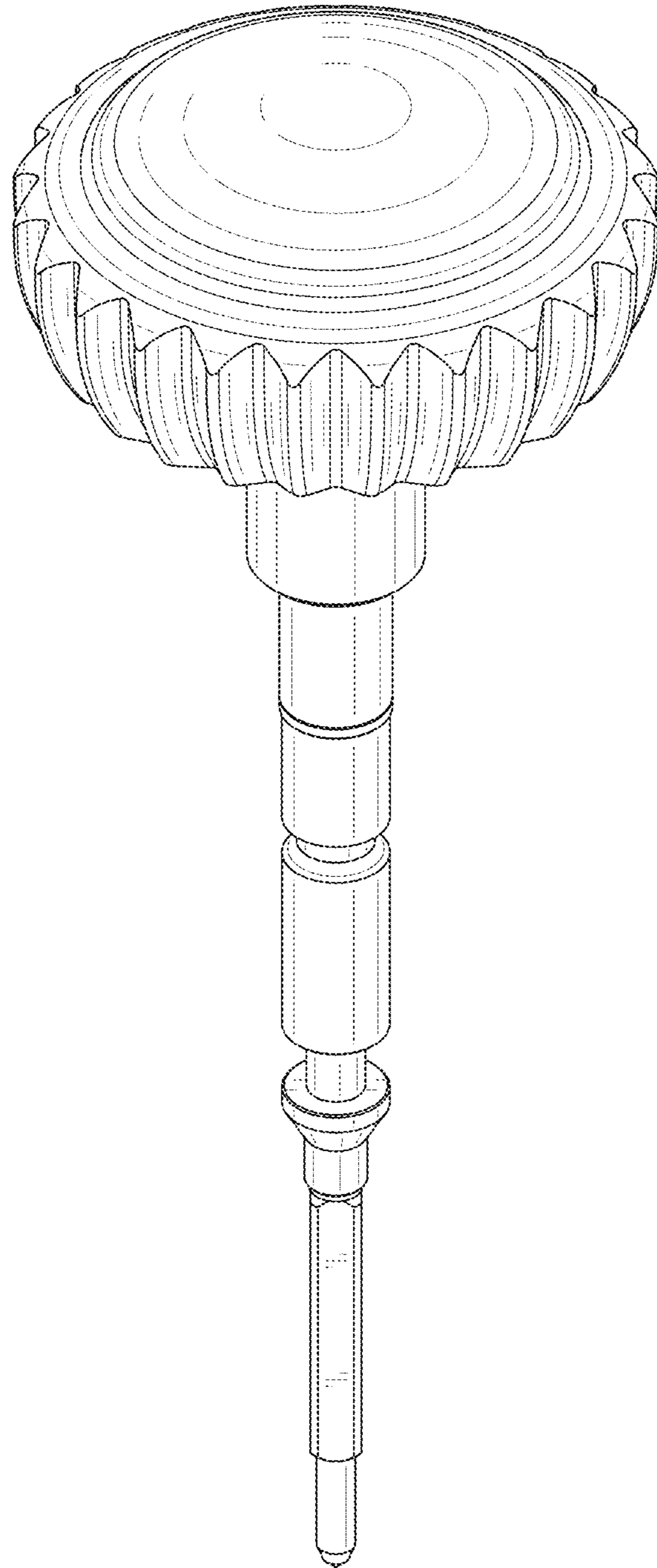


FIG. 1

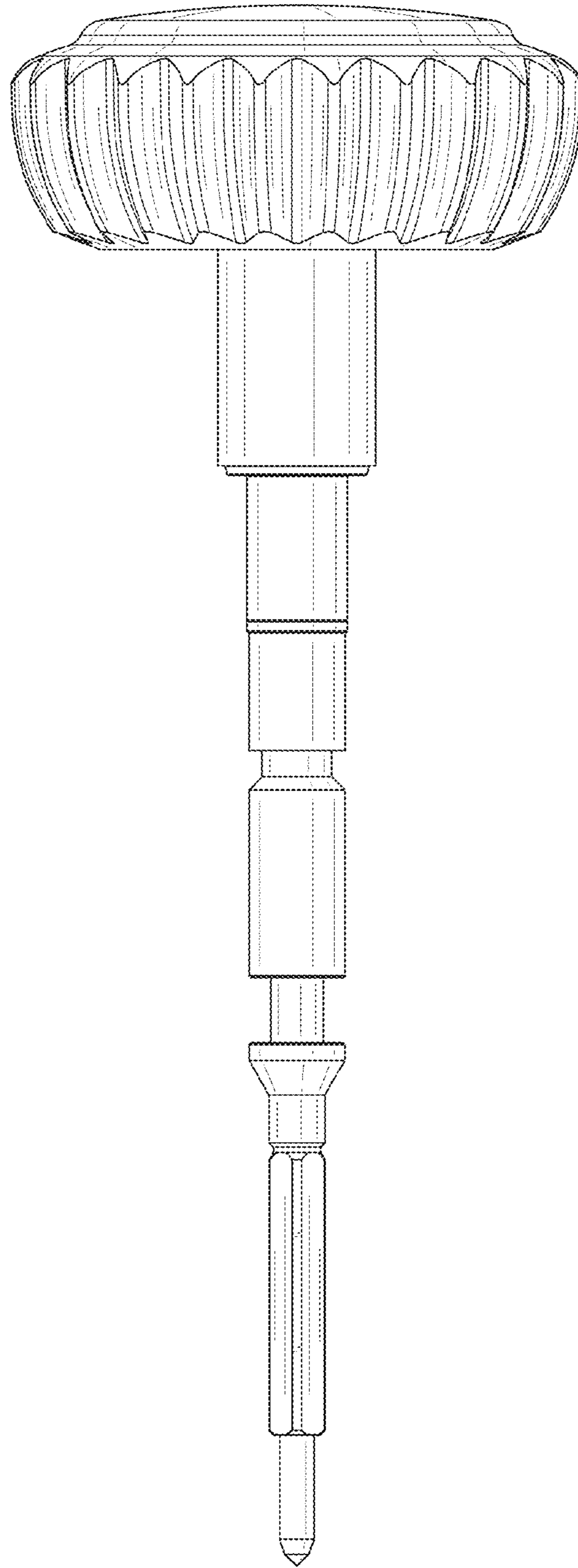


FIG. 2

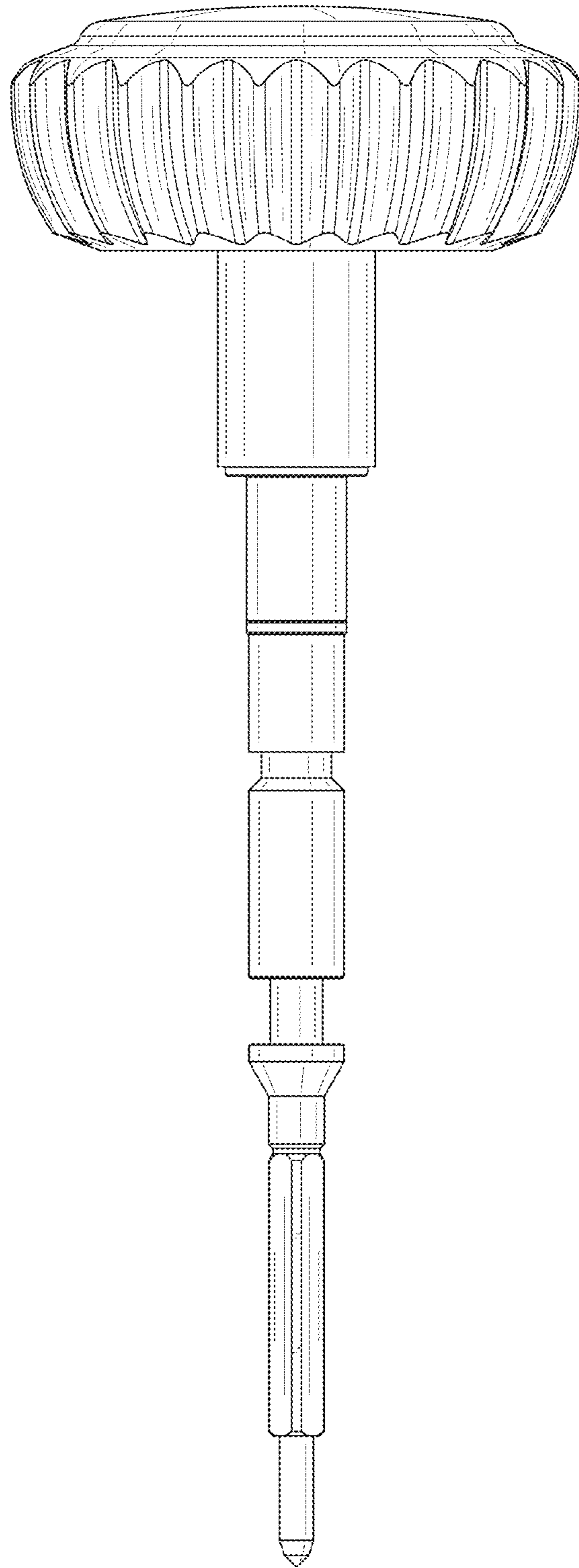


FIG. 3

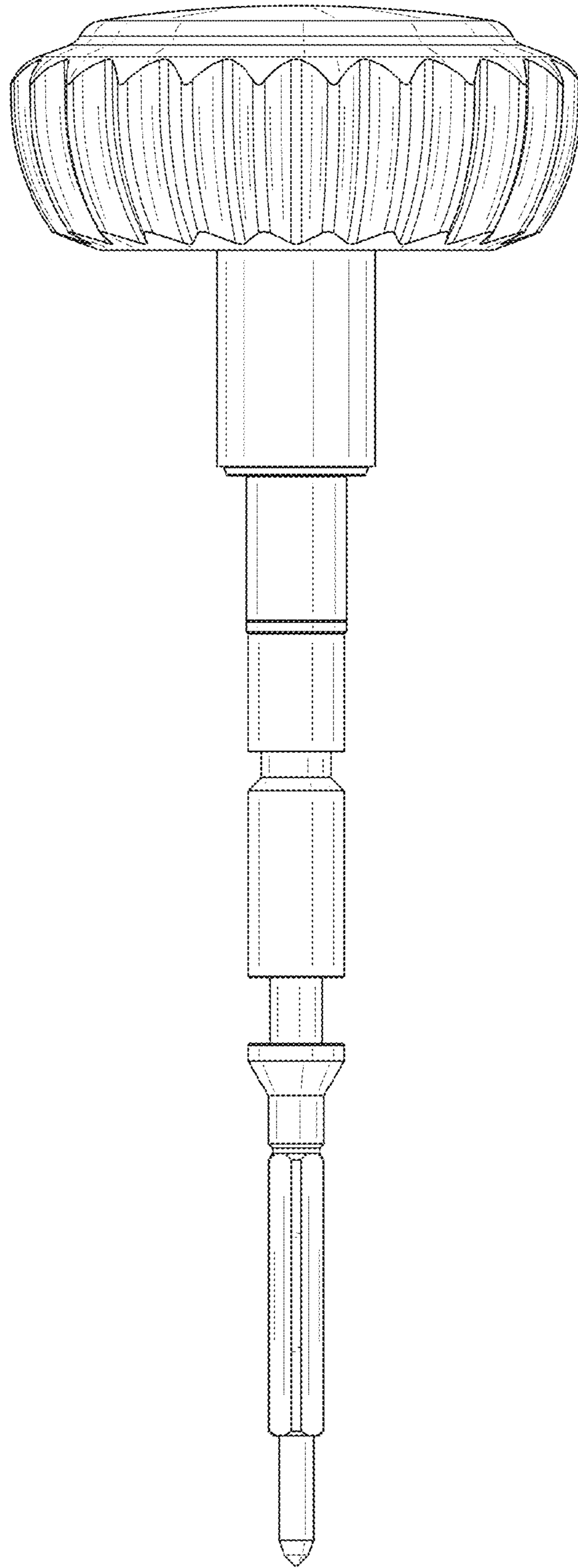


FIG. 4

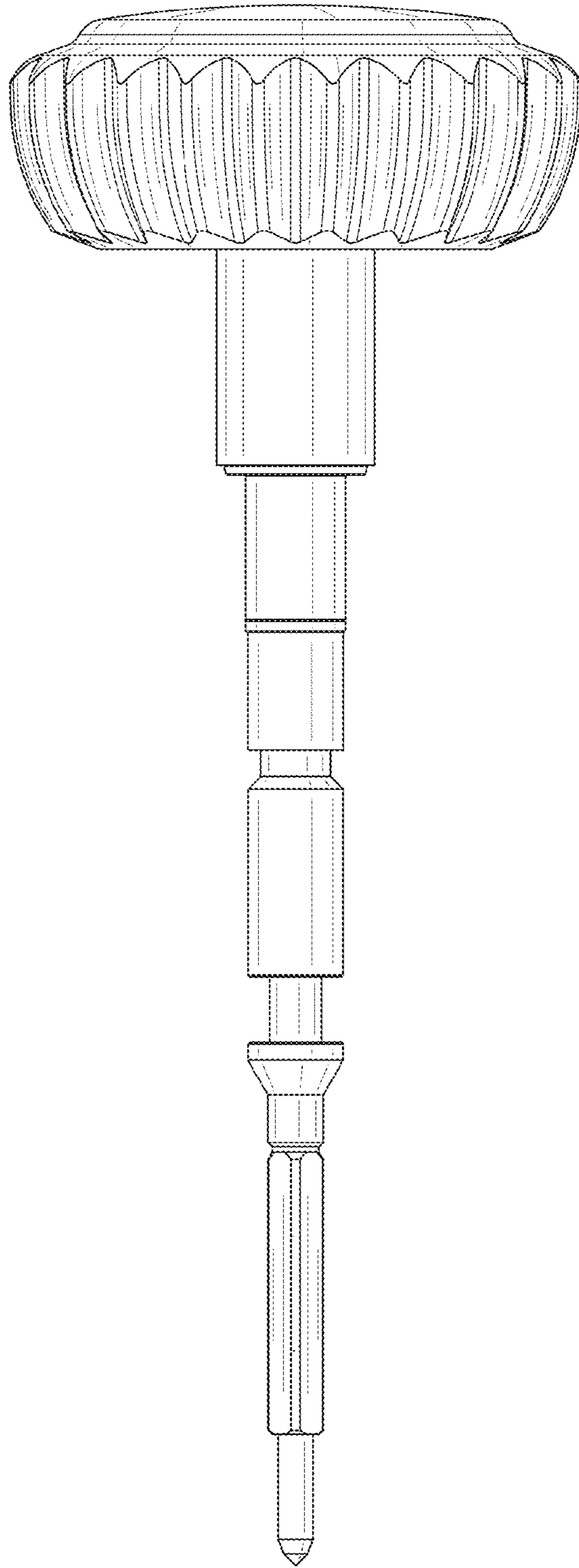


FIG. 5

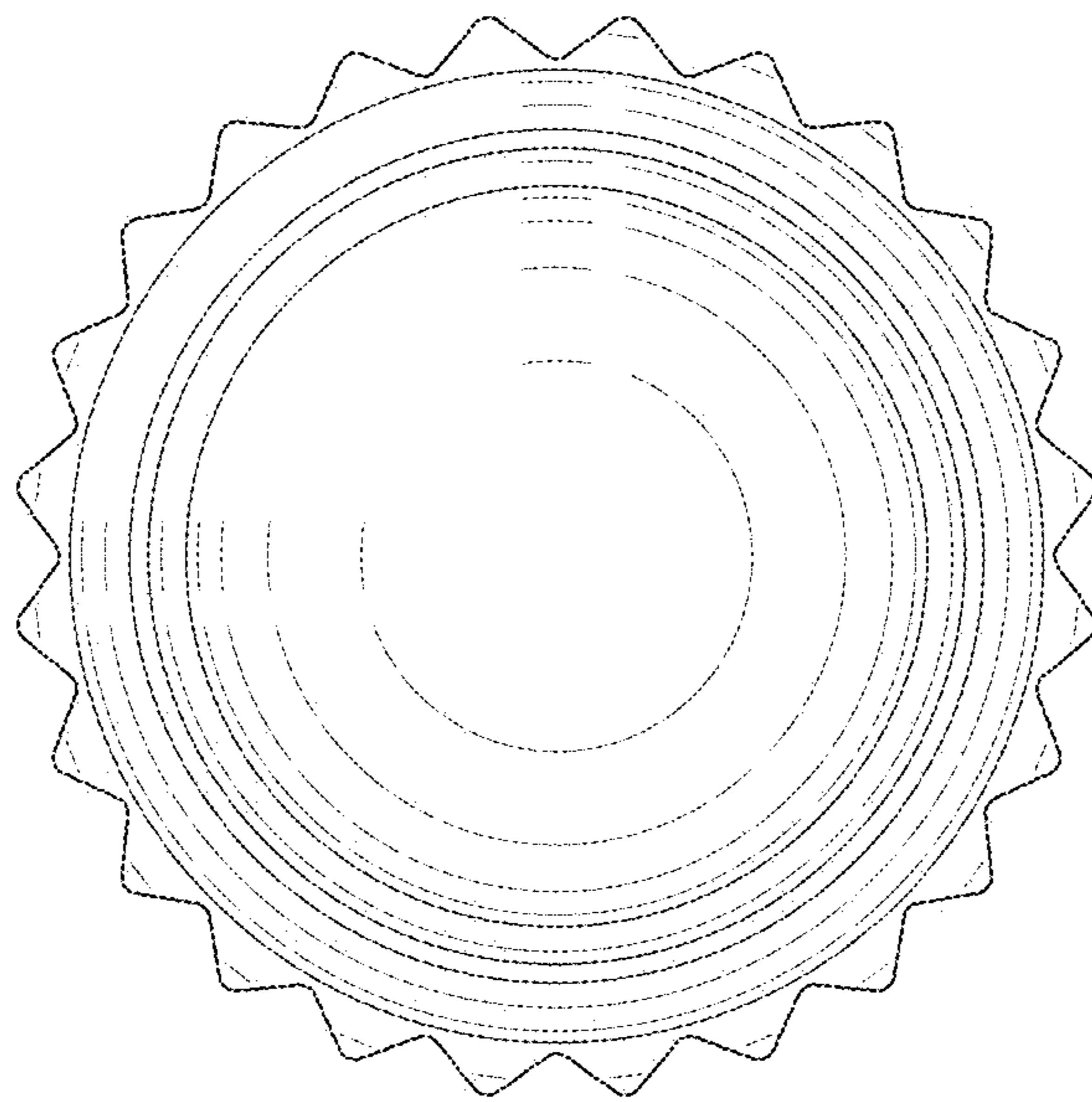


FIG. 6