



US00D725530S

(12) **United States Design Patent**  
**Graff**

(10) **Patent No.:** **US D725,530 S**

(45) **Date of Patent:** **\*\* Mar. 31, 2015**

(54) **WATCH ROTOR**

(71) Applicant: **Laurence Graff, Gstaad (CH)**

(72) Inventor: **Laurence Graff, Gstaad (CH)**

(73) Assignee: **Graff Diamonds SA (CH)**

(\*\*) Term: **14 Years**

(21) Appl. No.: **29/508,168**

(22) Filed: **Nov. 4, 2014**

(51) **LOC (10) Cl.** ..... **10-07**

(52) **U.S. Cl.**  
USPC ..... **D10/129; D10/128**

(58) **Field of Classification Search**  
CPC ..... G04B 5/16; G04B 17/063; G04B 45/02;  
G04B 9/005; G04B 5/165; G04B 5/04;  
G04B 5/06; G04B 5/08; G04B 5/10; G04B  
5/12; G04B 5/14; G04B 5/19  
USPC ..... D10/128, 129, 32, 39; 368/148, 127,  
368/208, 150, 160, 161  
See application file for complete search history.

(56) **References Cited**

**U.S. PATENT DOCUMENTS**

2,746,238	A *	5/1956	Stamm	368/208
2,789,413	A *	4/1957	Cachelin	368/148
2,857,733	A *	10/1958	Maire	368/208
3,357,174	A *	12/1967	Guyot	368/208
3,603,076	A *	9/1971	Theurillat	368/127
3,707,841	A *	1/1973	Miyasaka	368/208

D480,979	S *	10/2003	Filiberti	D10/128
D481,324	S *	10/2003	Filiberti	D10/128
D624,840	S *	10/2010	Behling	D10/129
7,946,756	B2 *	5/2011	Courvoisier et al.	368/152
D671,430	S *	11/2012	Jamin	D10/39
2006/0050617	A1 *	3/2006	Papi	368/203
2008/0101163	A1 *	5/2008	Bravo et al.	368/148
2010/0135127	A1 *	6/2010	Born et al.	368/127
2011/0205857	A1 *	8/2011	Beccia et al.	368/208
2013/0114381	A1 *	5/2013	Kaelin et al.	368/208
2014/0098647	A1 *	4/2014	Kasapi et al.	368/127

\* cited by examiner

*Primary Examiner* — Lucy Lieberman

(74) *Attorney, Agent, or Firm* — Galbreath Law Offices, P.C.; John A. Galbreath

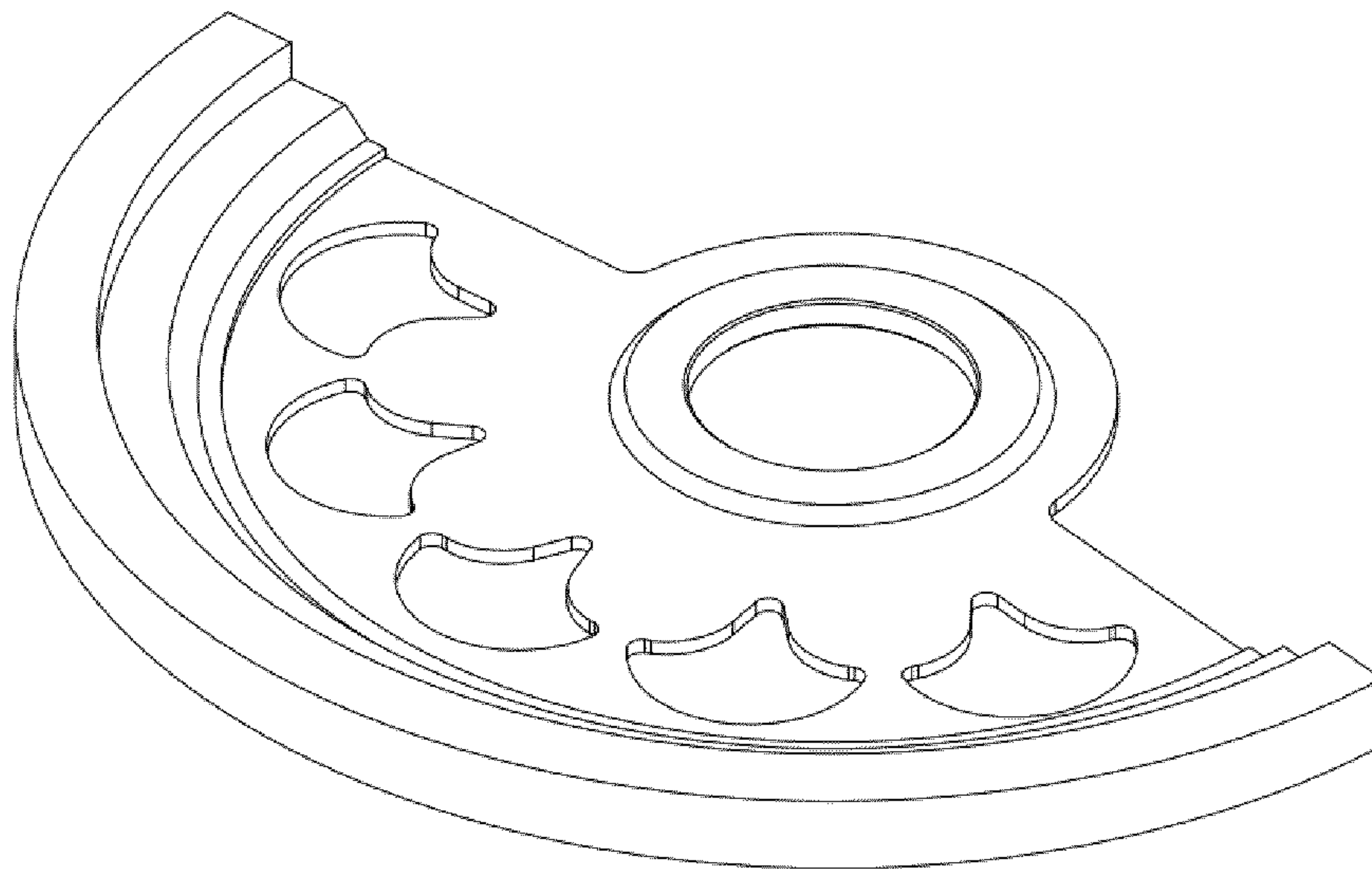
(57) **CLAIM**

The ornamental design for a watch rotor, as shown and described.

**DESCRIPTION**

FIG. 1 is a bottom view of the invention;  
FIG. 2 is a top view of the invention;  
FIG. 3 is a side view of the invention;  
FIG. 4 is another side view of the invention, showing the side opposite that shown in FIG. 3;  
FIG. 5 is a front view of the invention;  
FIG. 6 is a back view of the invention;  
FIG. 7 is a bottom perspective view of the invention; and,  
FIG. 8 is a top perspective view of the invention.

**1 Claim, 1 Drawing Sheet**



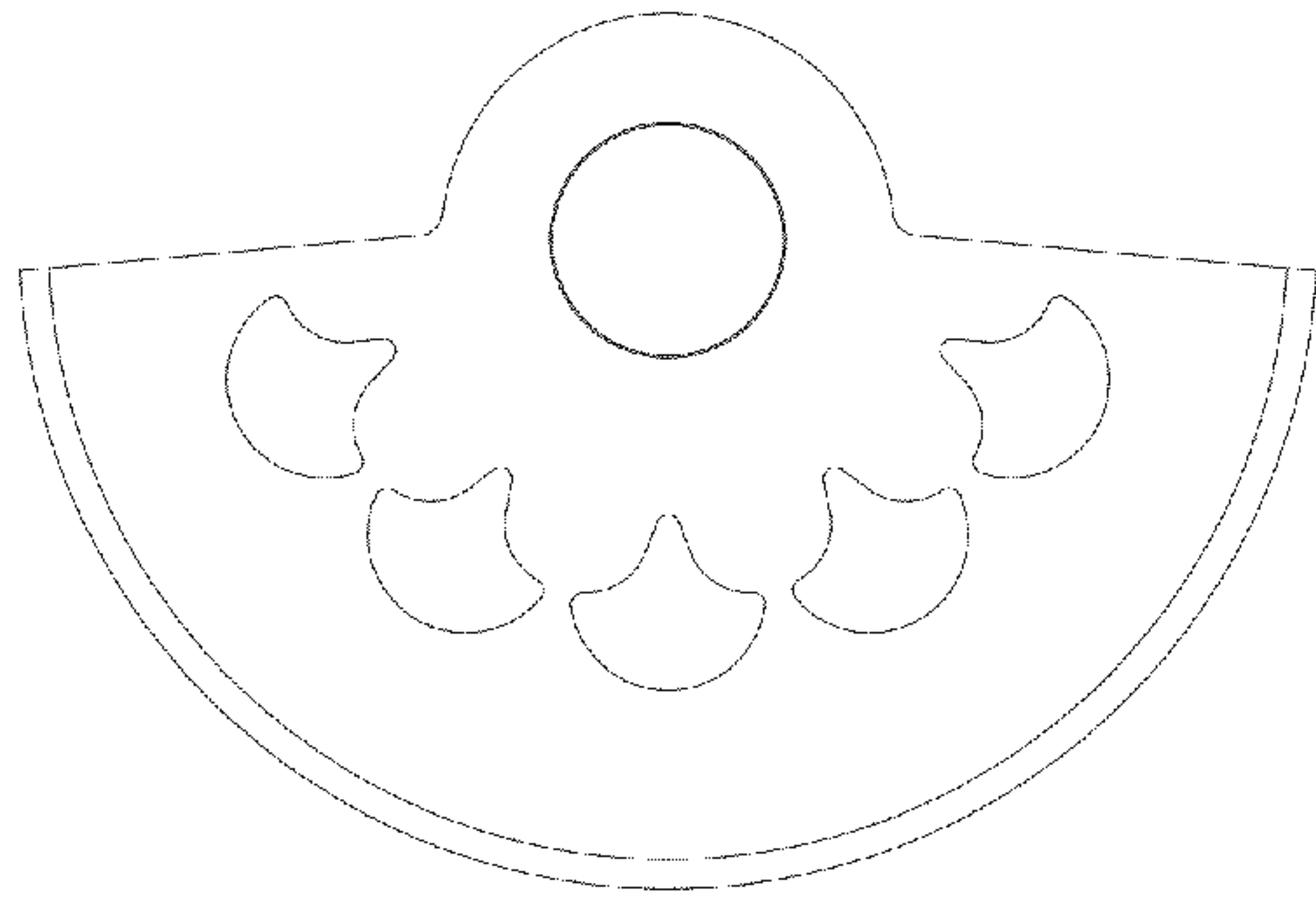


Fig. 1

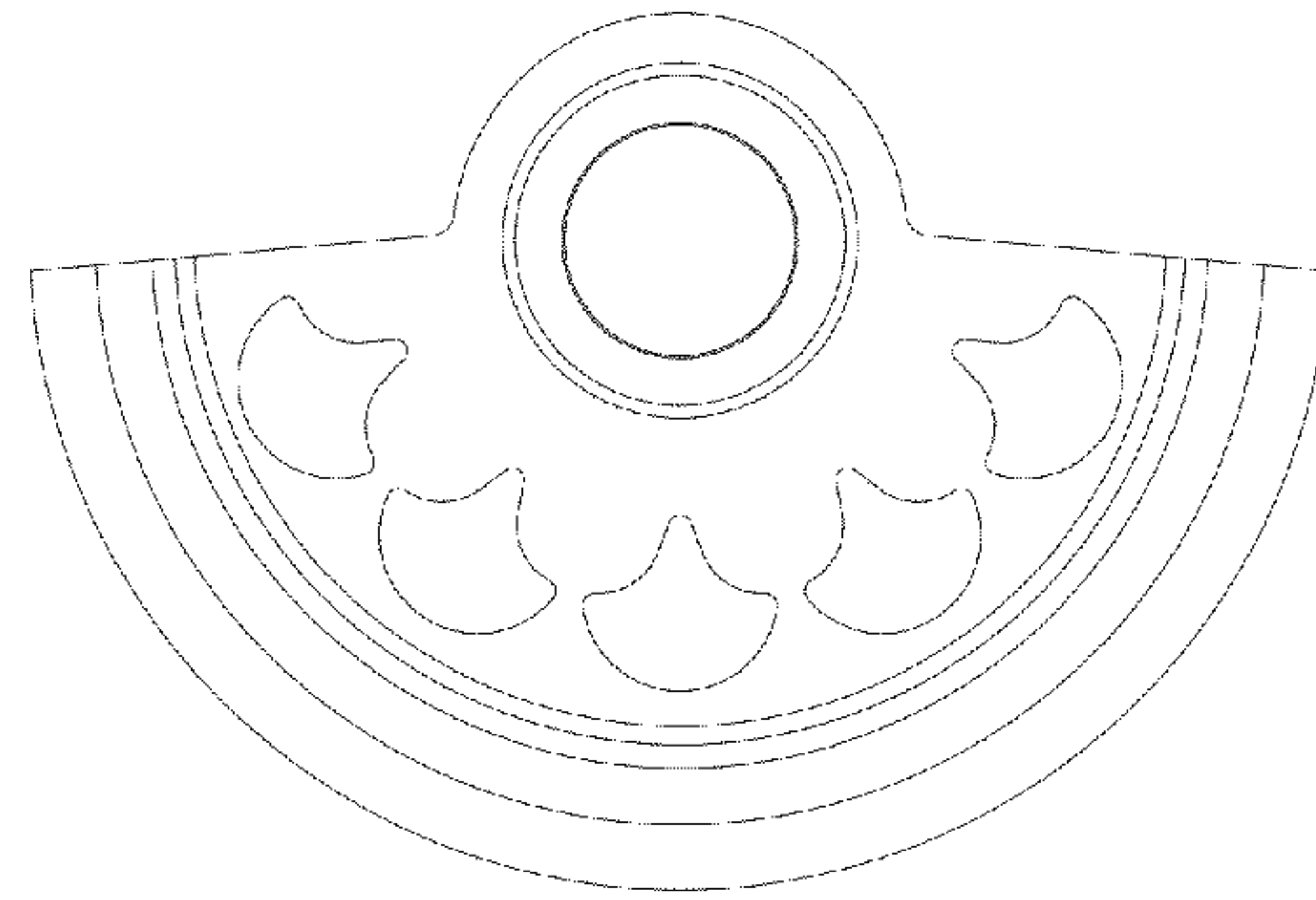


Fig. 2

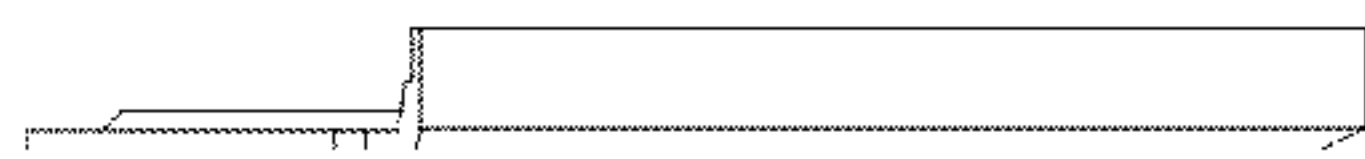


Fig. 3

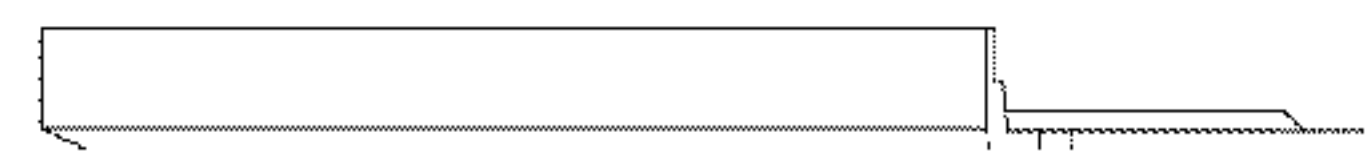


Fig. 4

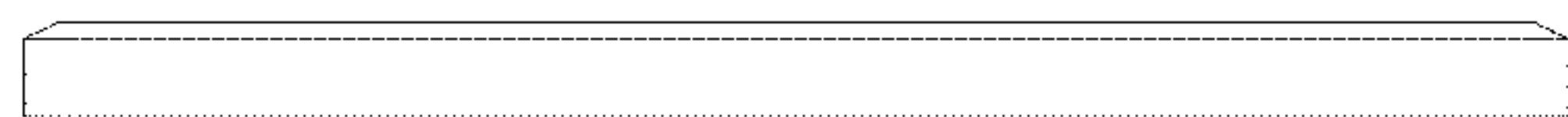


Fig. 5

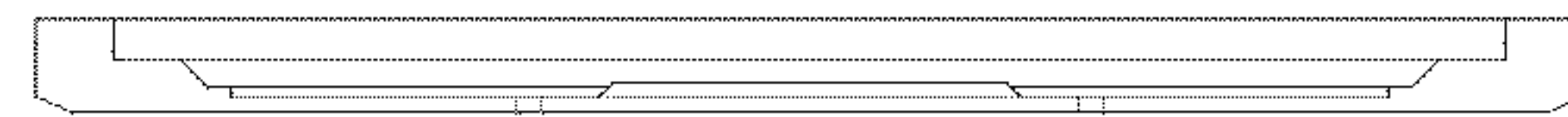


Fig. 6

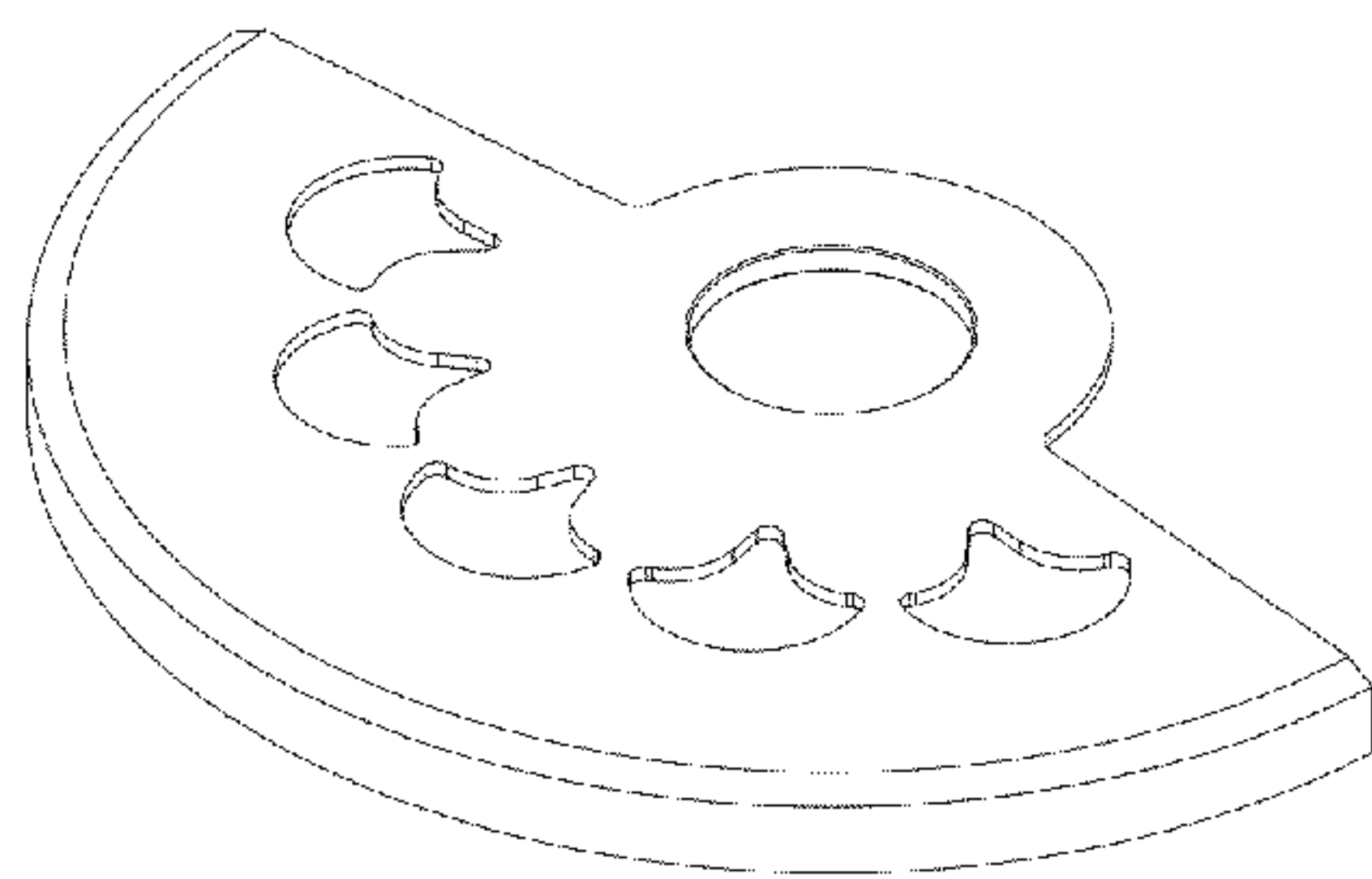


Fig. 7

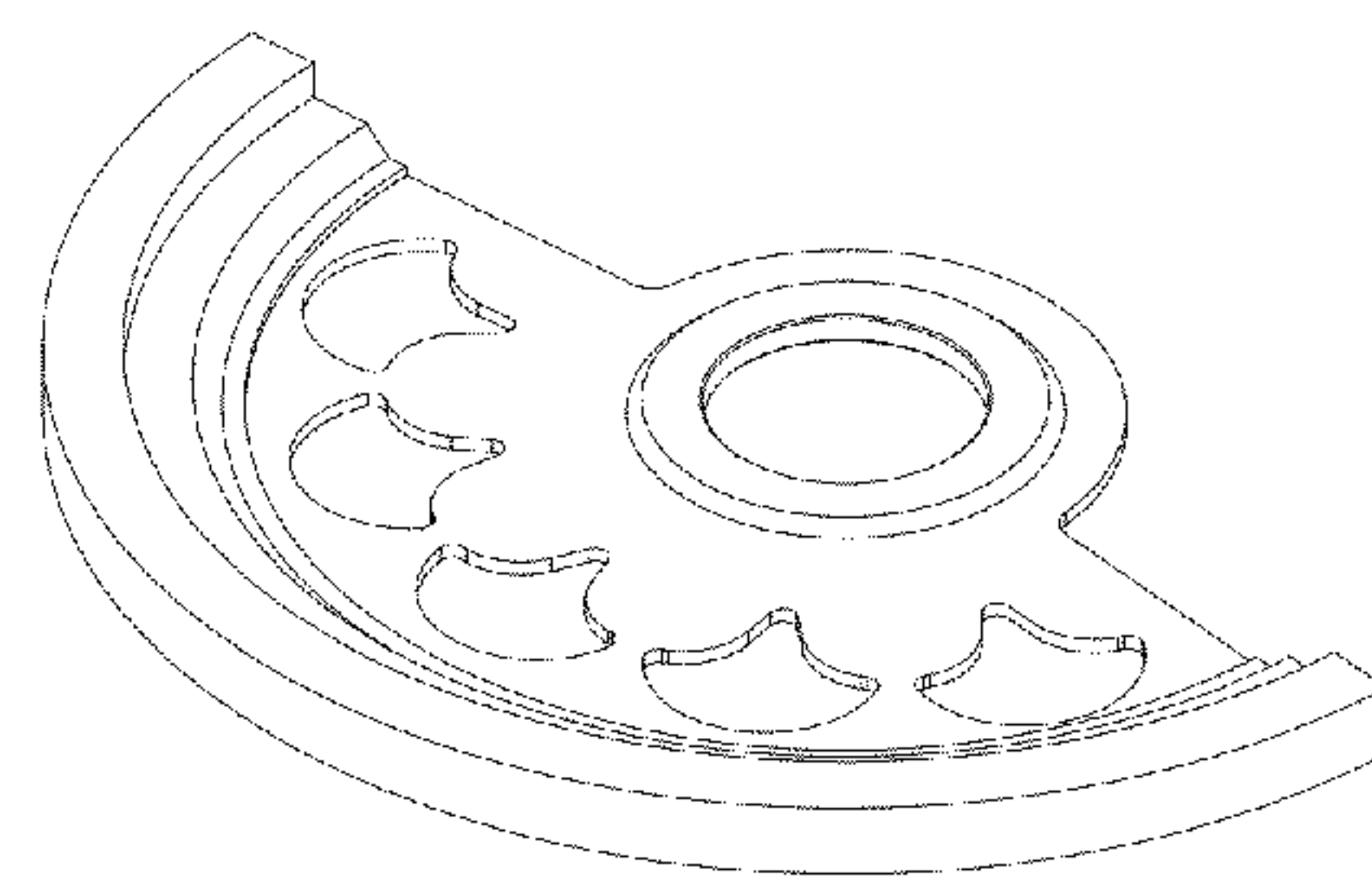


Fig. 8