



US00D725528S

(12) **United States Design Patent**
Parmigiani

(10) **Patent No.:** **US D725,528 S**
(45) **Date of Patent:** **** Mar. 31, 2015**

(54) **LUG FOR A WATCH**
(71) Applicant: **Michel Parmigiani**, Fleurier (CH)
(72) Inventor: **Michel Parmigiani**, Fleurier (CH)
(73) Assignee: **Parmigiani Fleurier SA** (CH)
(**) Term: **14 Years**
(21) Appl. No.: **29/484,681**
(22) Filed: **Mar. 12, 2014**

(30) **Foreign Application Priority Data**
Sep. 13, 2013 (WO) DM/081750
(51) **LOC (10) Cl.** **10-07**
(52) **U.S. Cl.**
USPC **D10/128**
(58) **Field of Classification Search**
CPC .. G04B 37/00; G04B 37/008; G04B 37/0058;
G04B 45/0069; G04B 37/081; G04B 37/106;
G04G 21/08
USPC D10/30-39, 128; 368/276, 281, 282,
368/290, 319, 320, 321, 316
See application file for complete search history.

(56) **References Cited**
U.S. PATENT DOCUMENTS
D172,442 S * 6/1954 Richter D10/39
D195,421 S * 6/1963 Huguenin D10/39
D221,789 S * 9/1971 Kolbrener D10/39
D436,319 S * 1/2001 Giardiello D10/39
D474,118 S * 5/2003 Monachon D10/32
D536,628 S * 2/2007 Roth D10/38
D545,222 S * 6/2007 Parmigiani D10/38
D555,015 S * 11/2007 Parmigiani D10/38
D569,742 S * 5/2008 Scheufele D10/39
D570,230 S * 6/2008 Monachon D10/32
D585,309 S * 1/2009 Monachon D10/39
D590,274 S * 4/2009 Monachon D10/31
D607,755 S * 1/2010 Kummer et al. D10/38
D615,879 S * 5/2010 Monachon D10/32

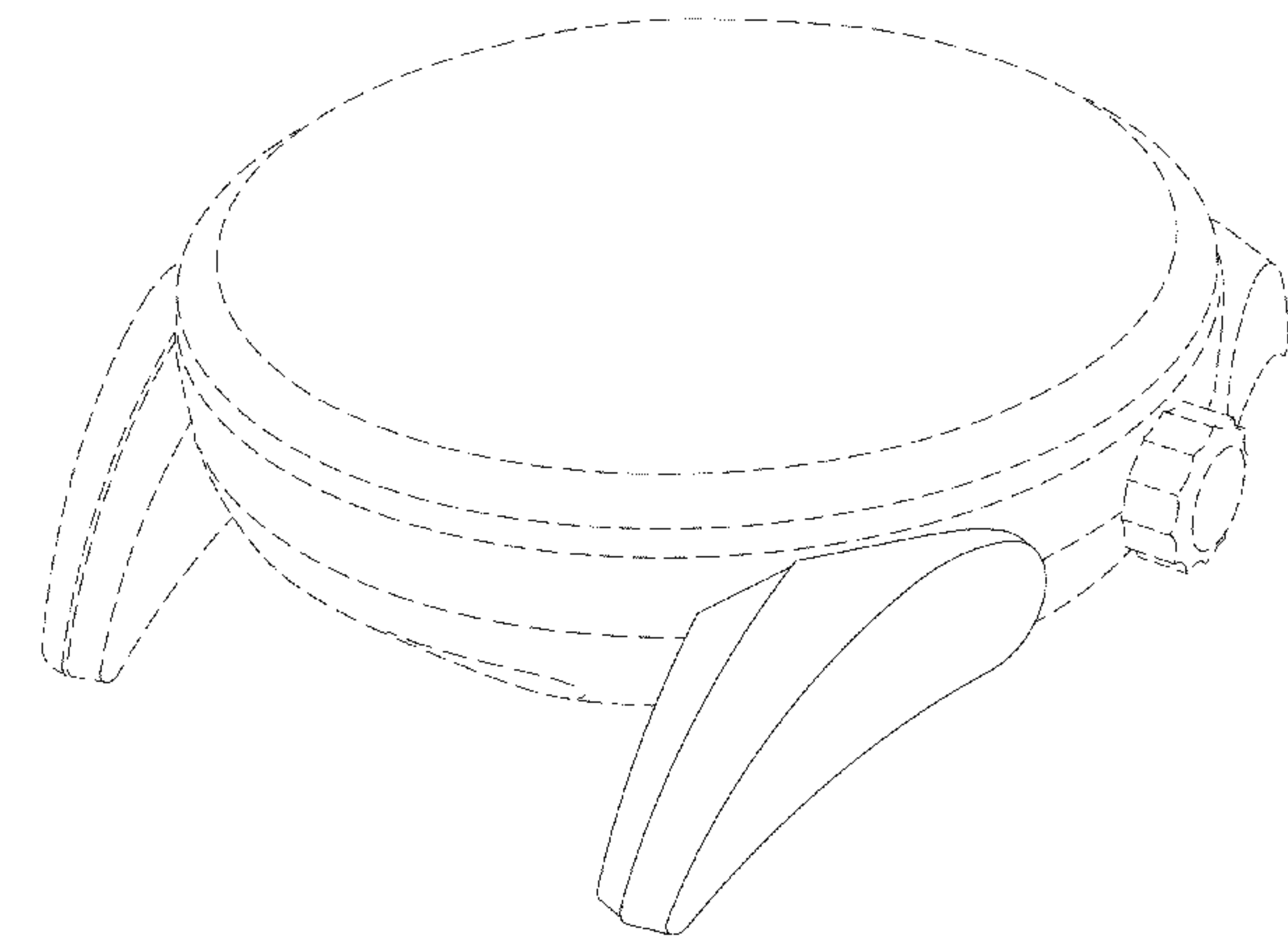
D637,920 S * 5/2011 Parmigiani D10/38
D645,361 S * 9/2011 Parmigiani D10/38
D655,630 S * 3/2012 Behling D10/38
D671,429 S * 11/2012 Parmigiani D10/38
D692,322 S * 10/2013 Behling D10/39
D708,965 S * 7/2014 Monachon D10/39

* cited by examiner
Primary Examiner — Lucy Lieberman
(74) *Attorney, Agent, or Firm* — Galbreath Law Offices,
P.C.; John A. Galbreath

(57) **CLAIM**
The ornamental design for a lug for a watch, as shown and described.

DESCRIPTION
FIG. 1 is a top view of the invention;
FIG. 2 is a bottom view of the invention;
FIG. 3 is a side view of the invention;
FIG. 4 is a back view of the invention;
FIG. 5 is another side view of the invention, showing the side opposite that shown in FIG. 3;
FIG. 6 is a front view of the invention;
FIG. 7 is a perspective view of the invention;
FIG. 8 is another perspective view of the invention;
FIG. 9 is a top view of the invention mounted on a watch case;
FIG. 10 is a bottom view of the invention mounted on a watch case;
FIG. 11 is a side view of the invention mounted on a watch case;
FIG. 12 is a front view of the invention mounted on a watch case;
FIG. 13 is a perspective view of the invention mounted on a watch case; and,
FIG. 14 is another perspective view of the invention mounted on a watch case.
The watch case and other lugs that are shown in broken lines in FIGS. 9-14 are for illustrative purposes only and do not form part of the claimed design.

1 Claim, 10 Drawing Sheets



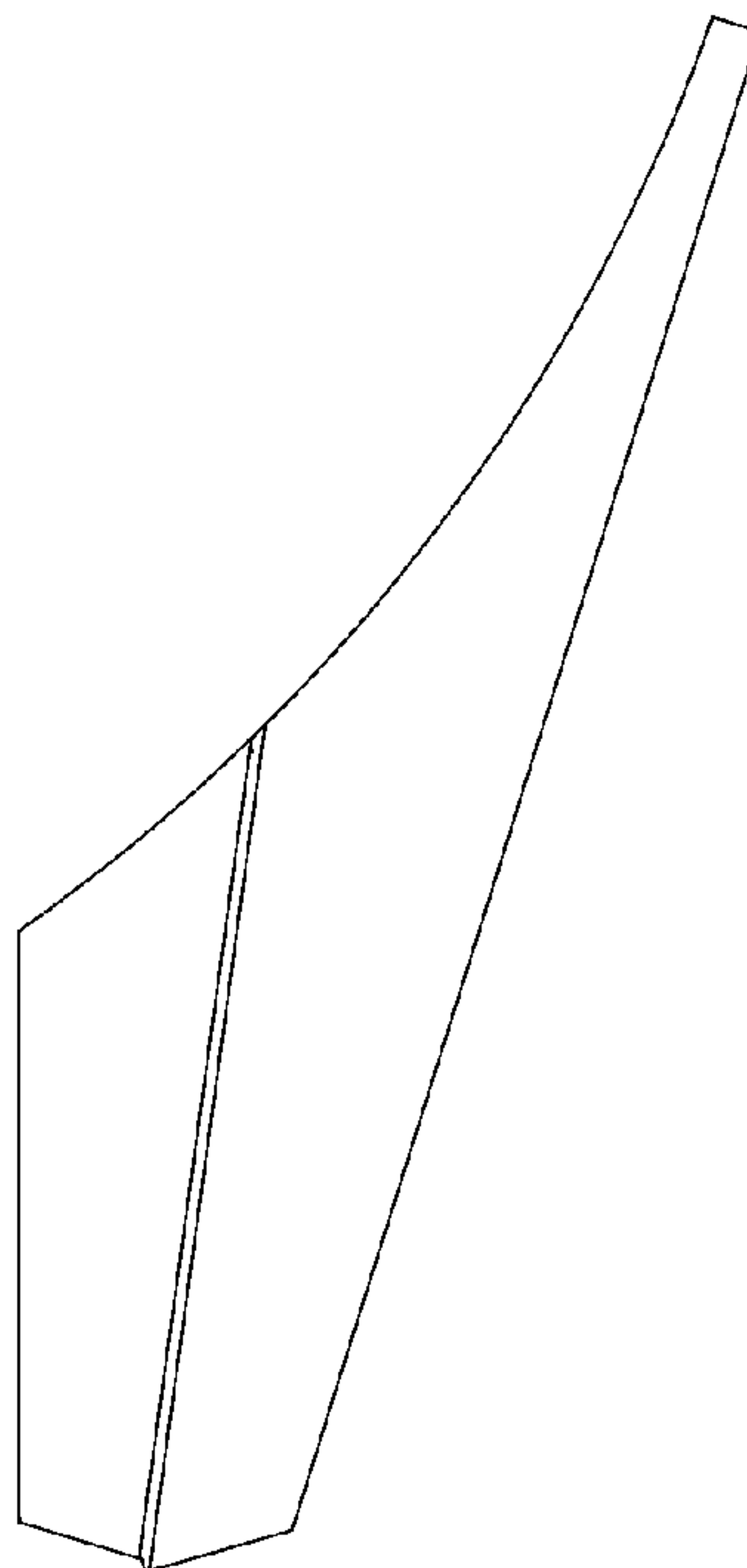


Fig. 1

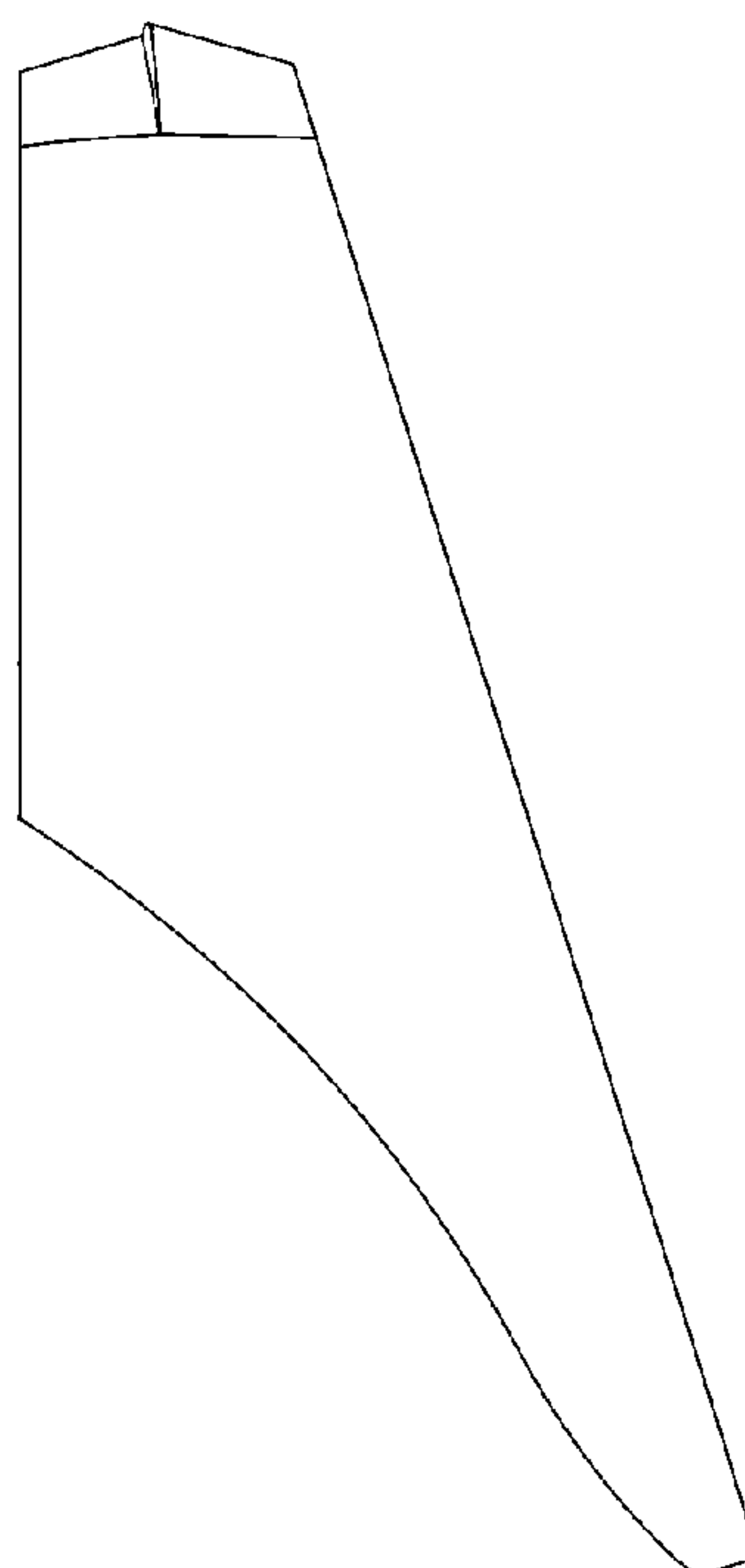


Fig. 2

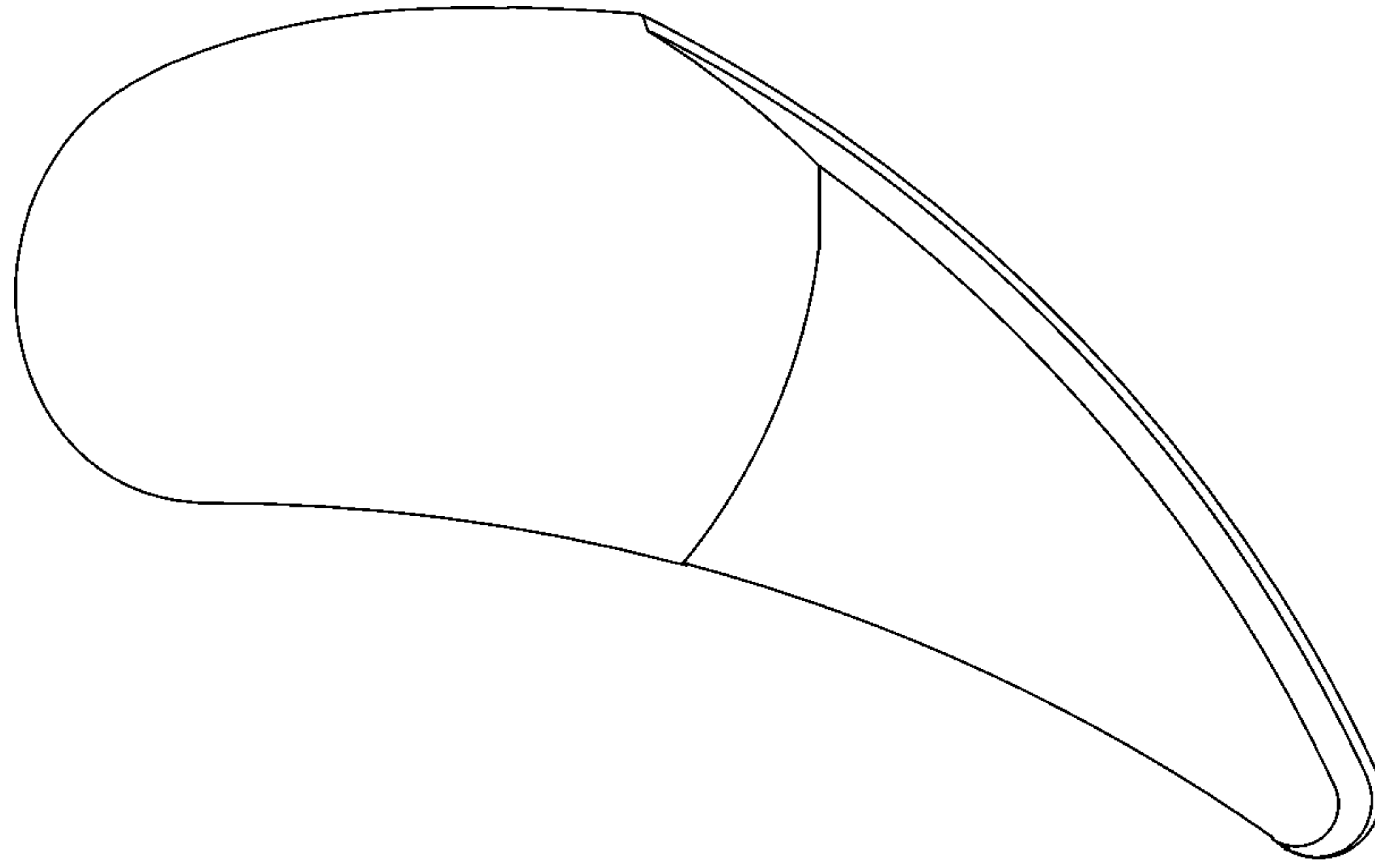


Fig. 3

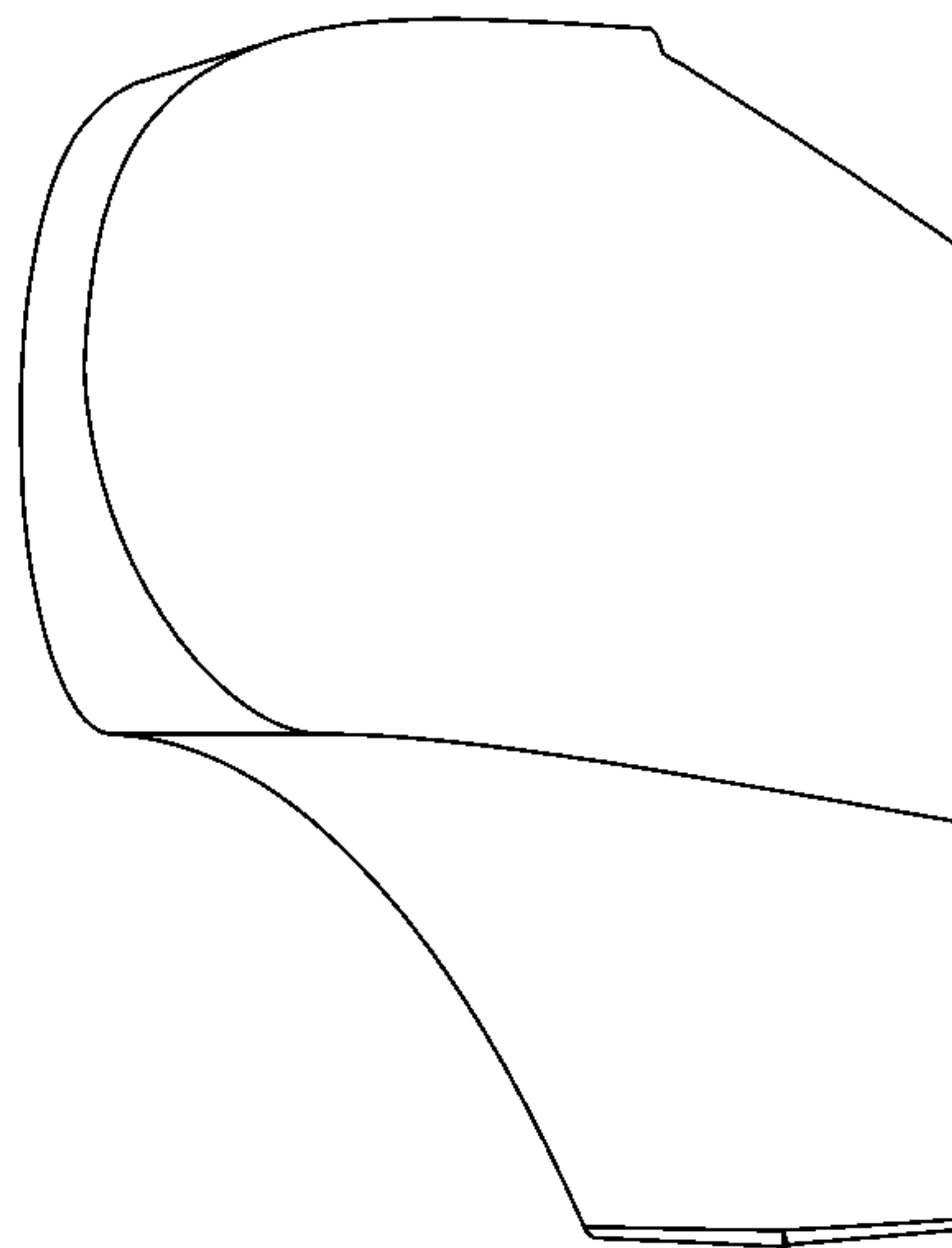


Fig. 4

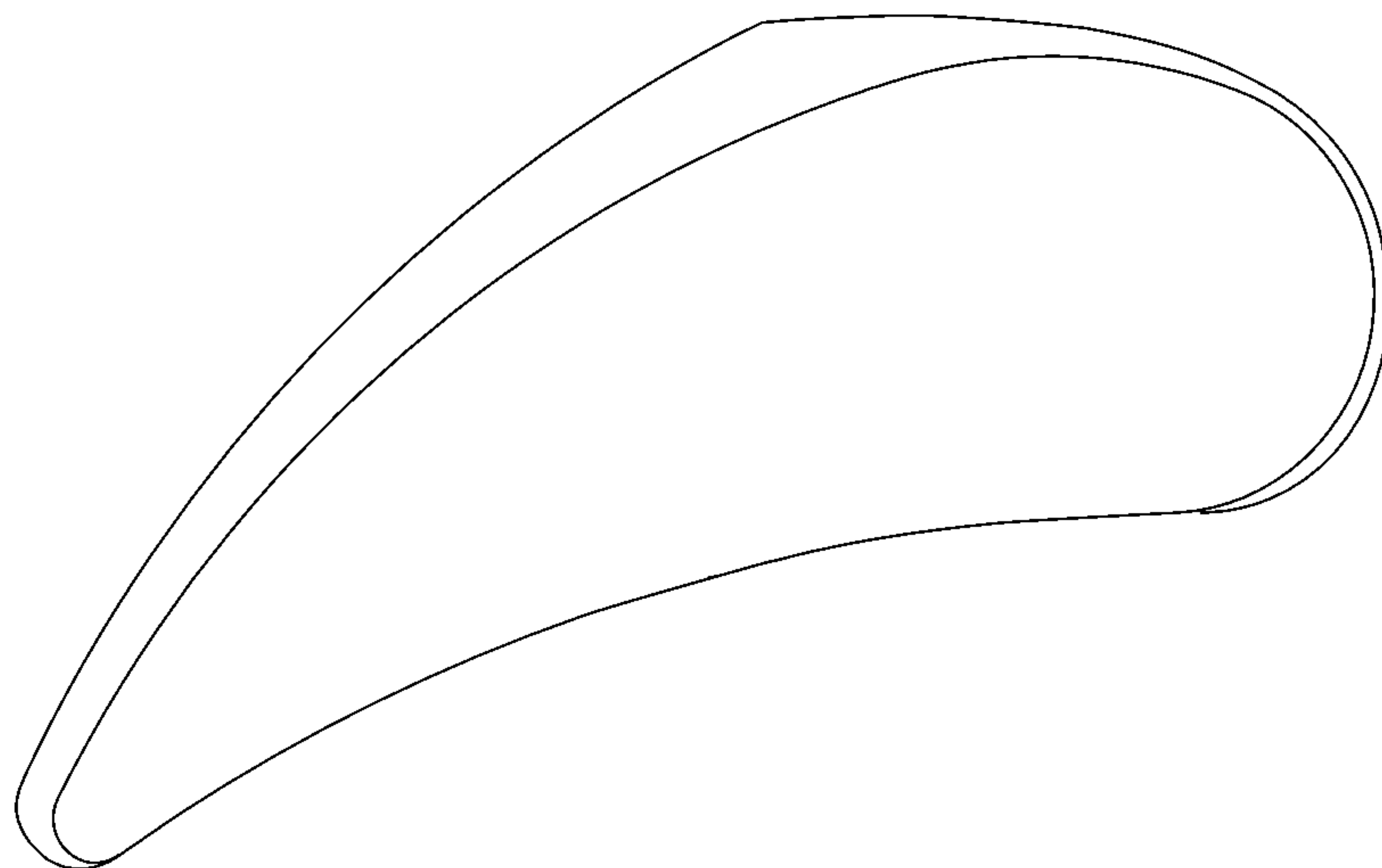


Fig. 5

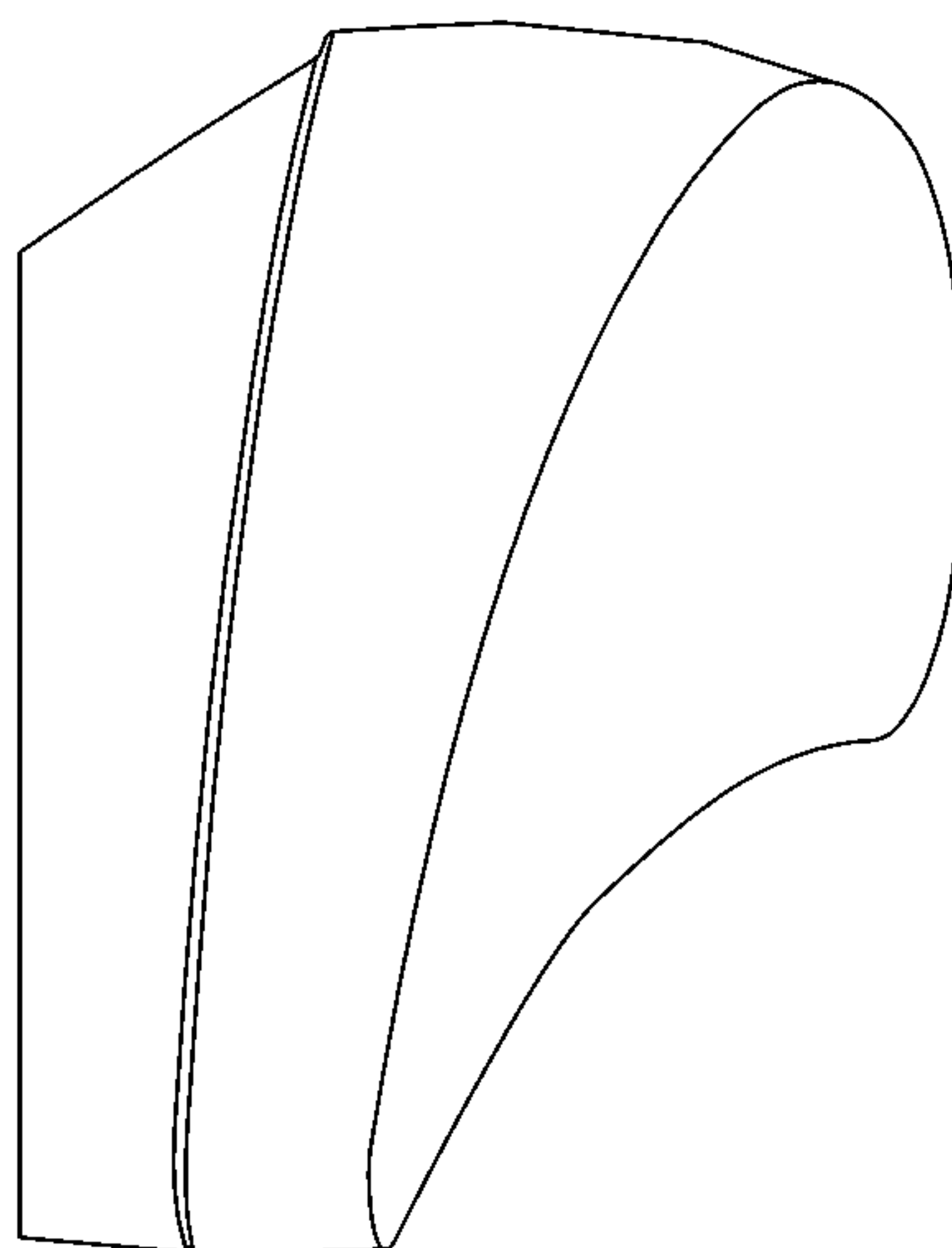


Fig. 6

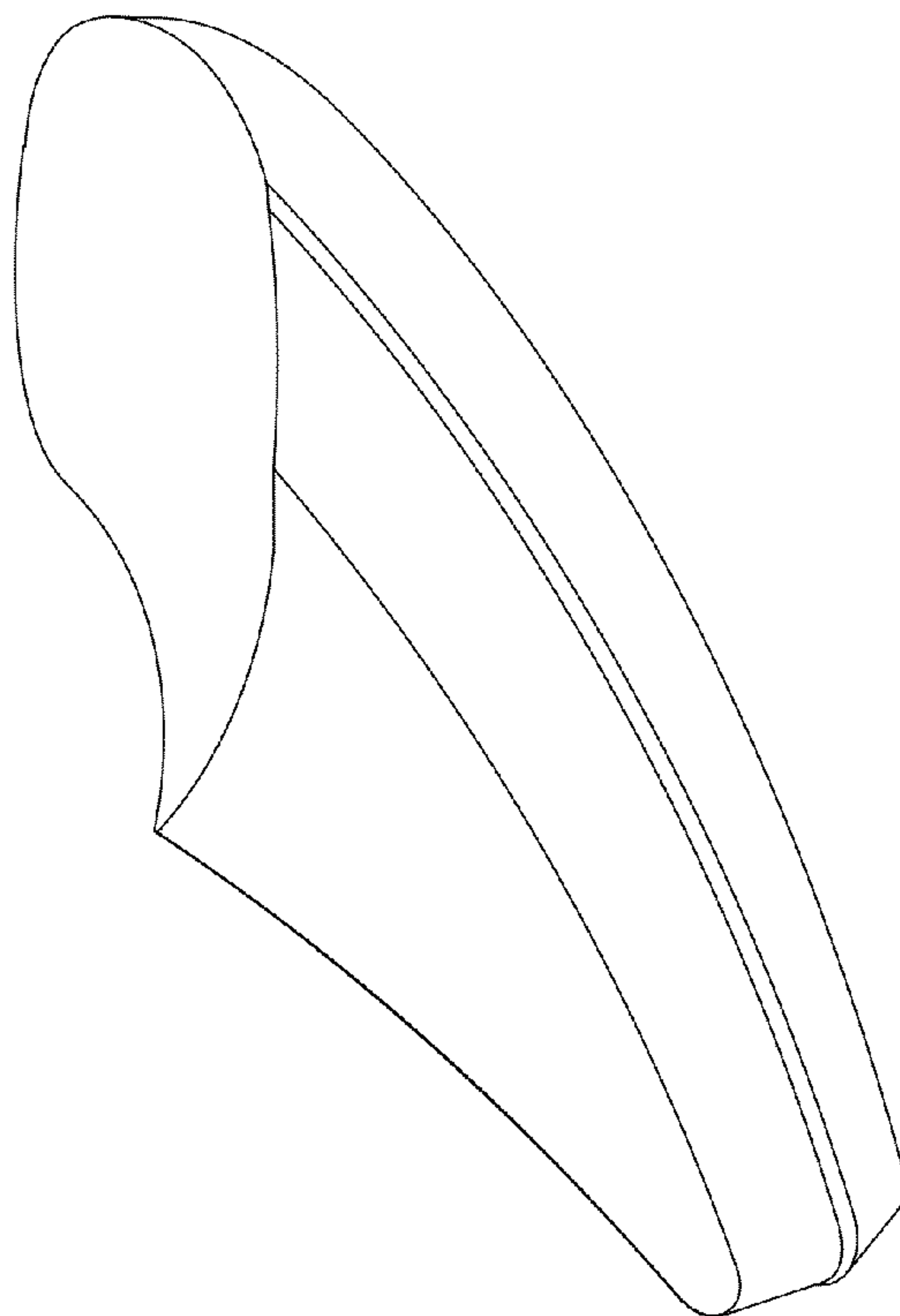


Fig. 7

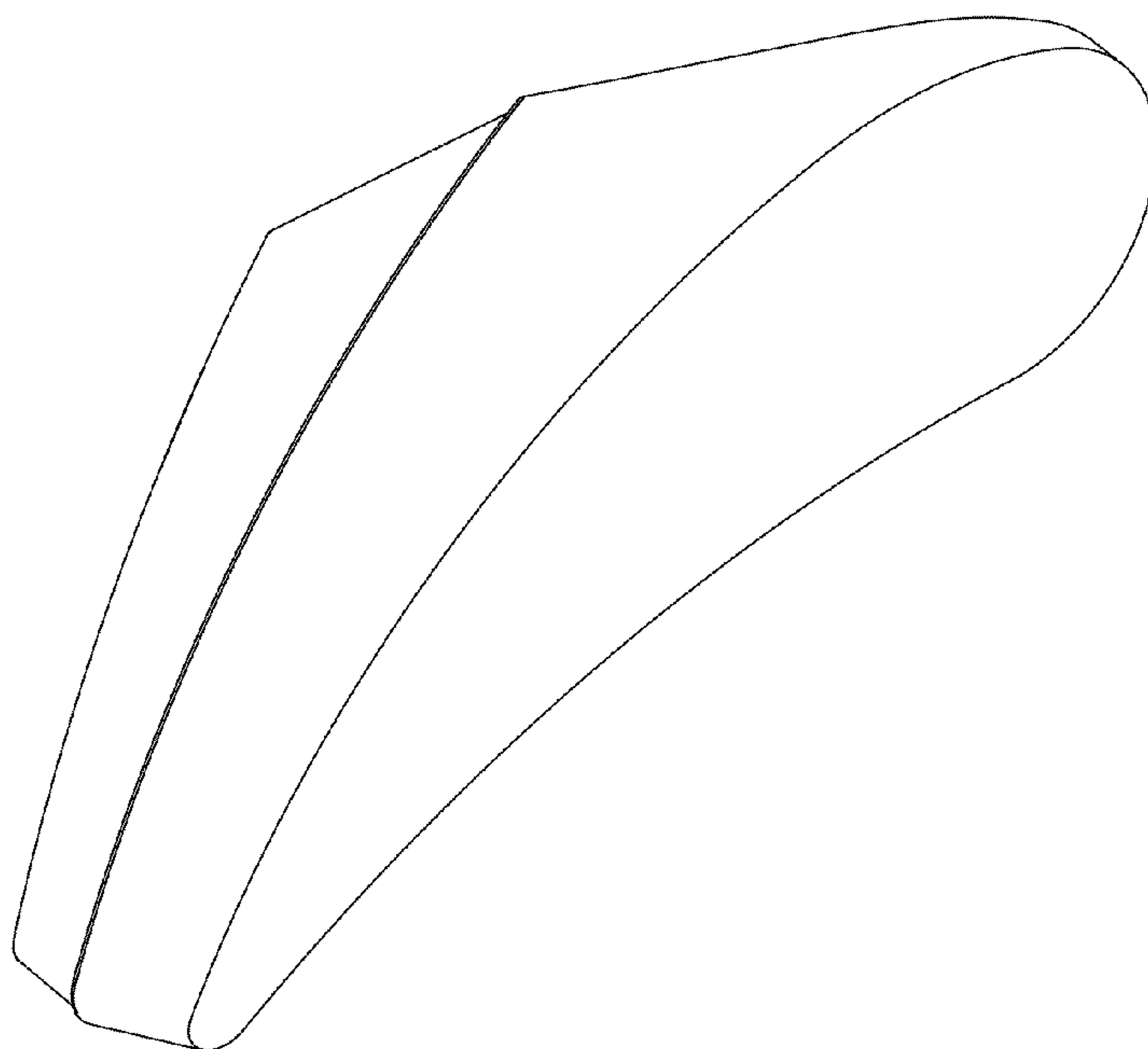


Fig. 8

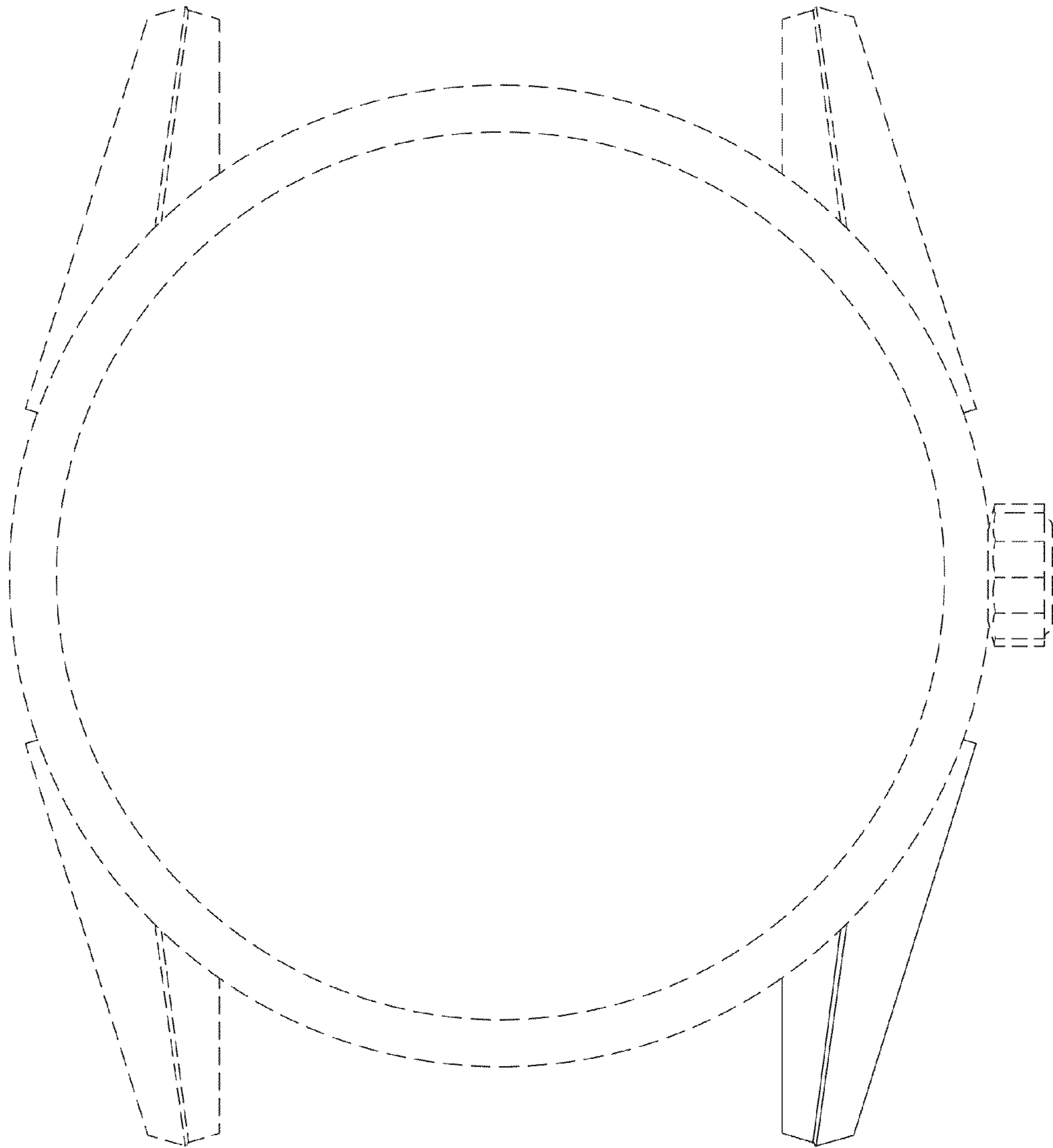


Fig. 9

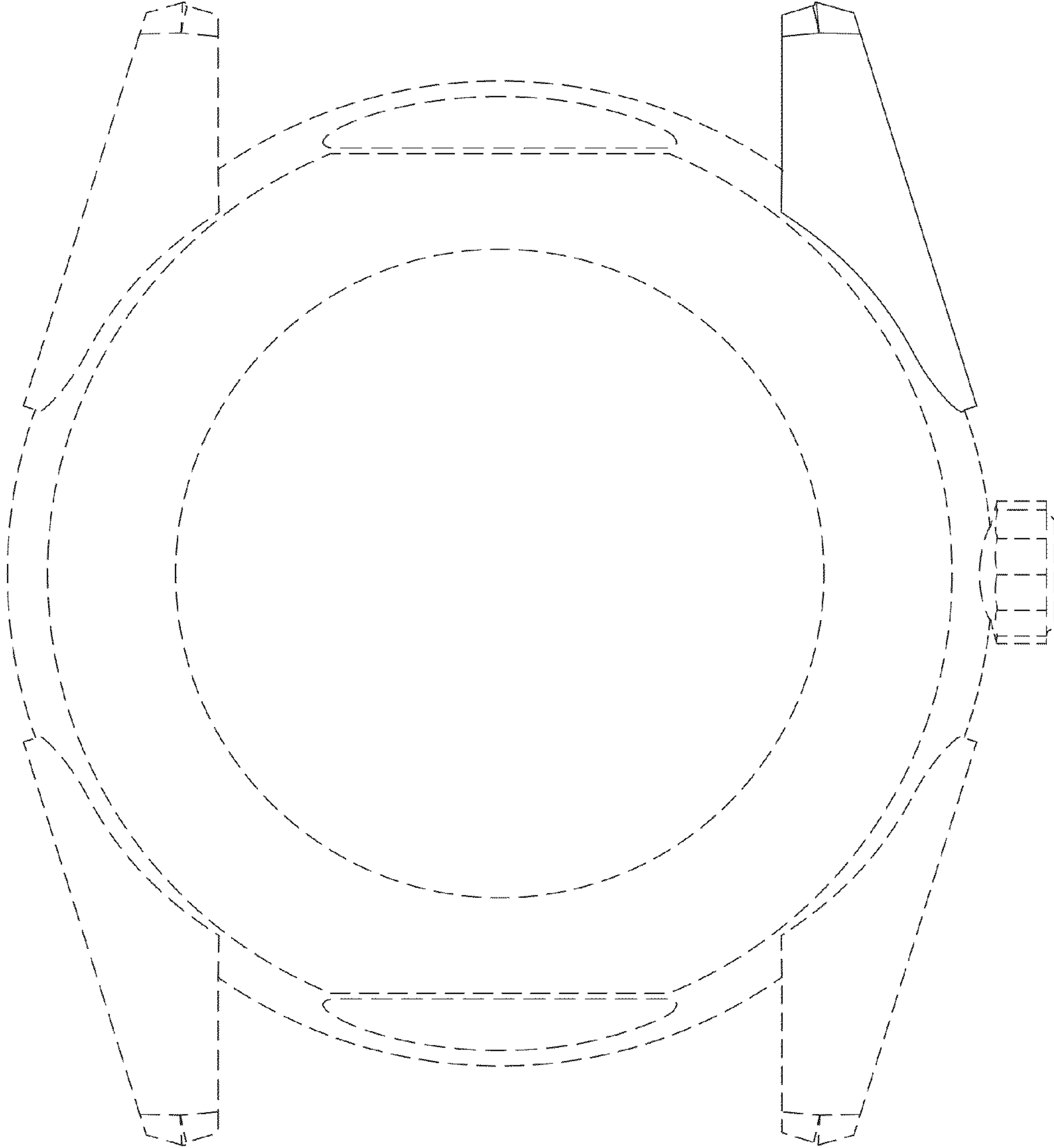


Fig. 10

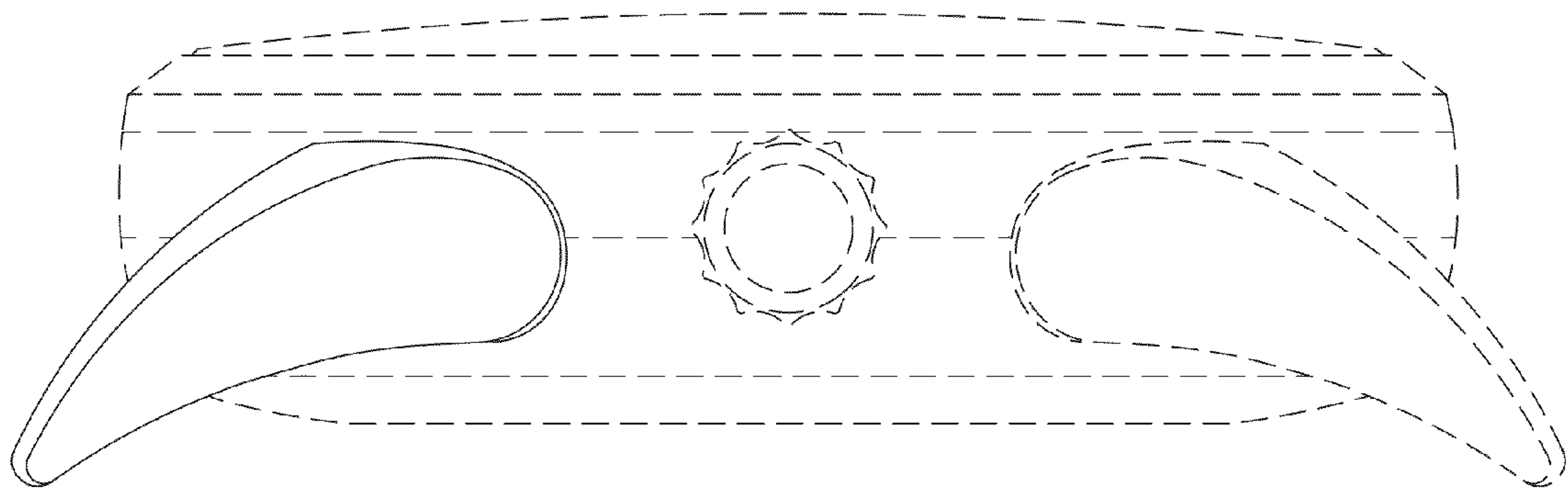


Fig. 11

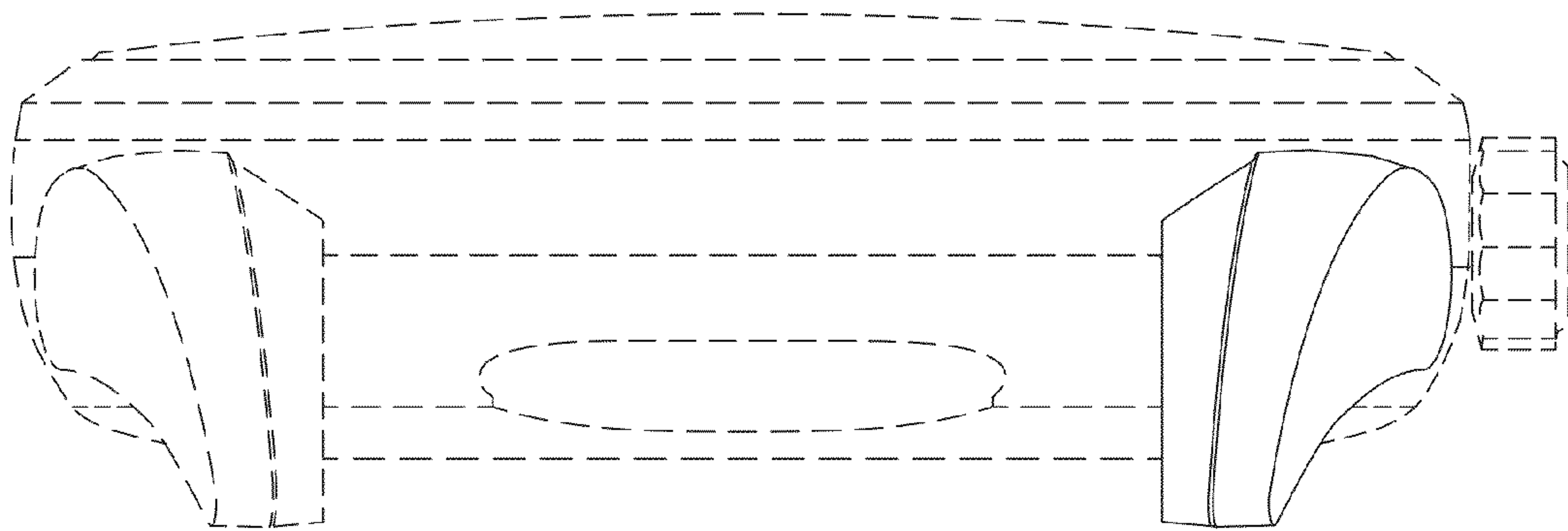


Fig. 12

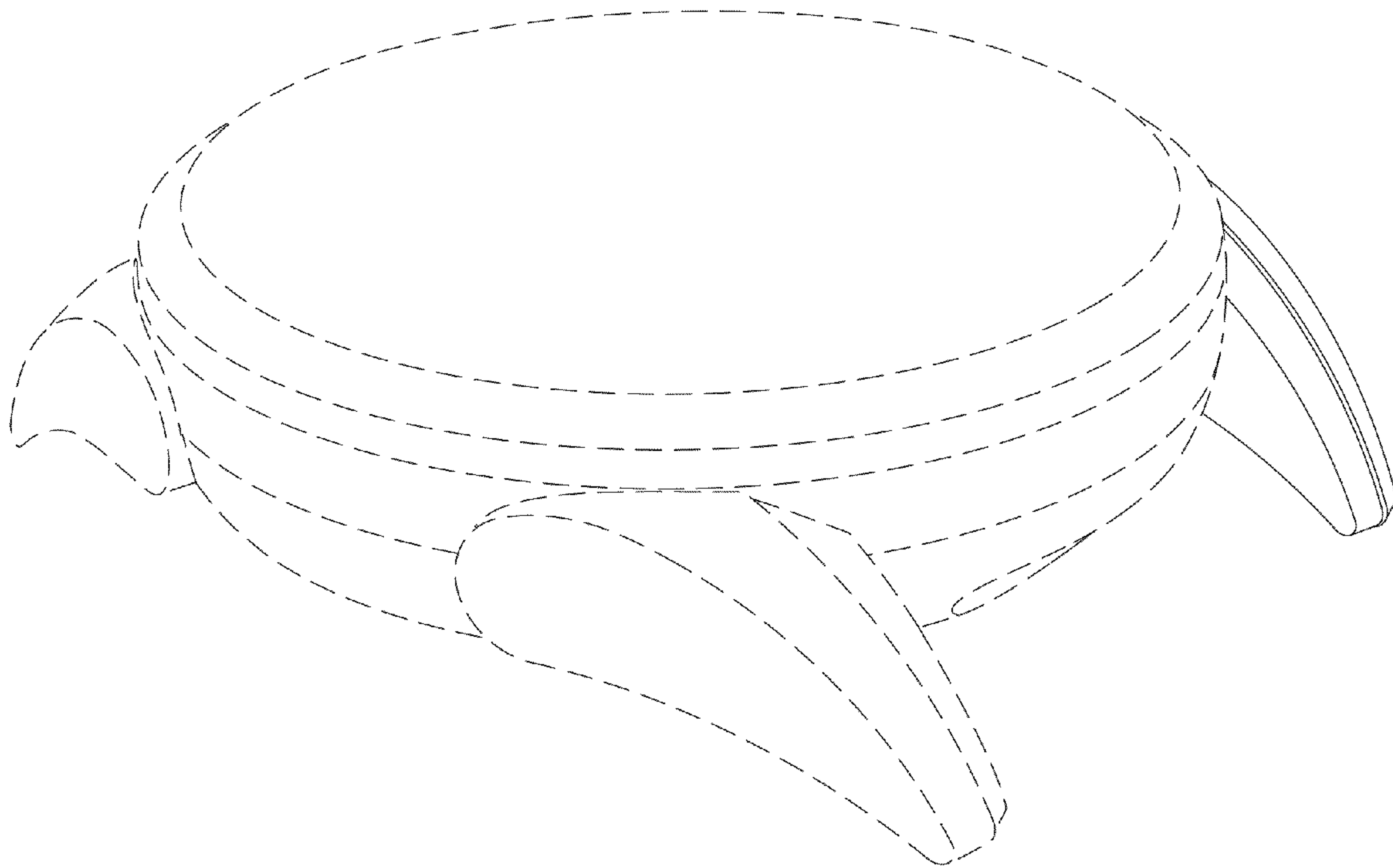


Fig. 13

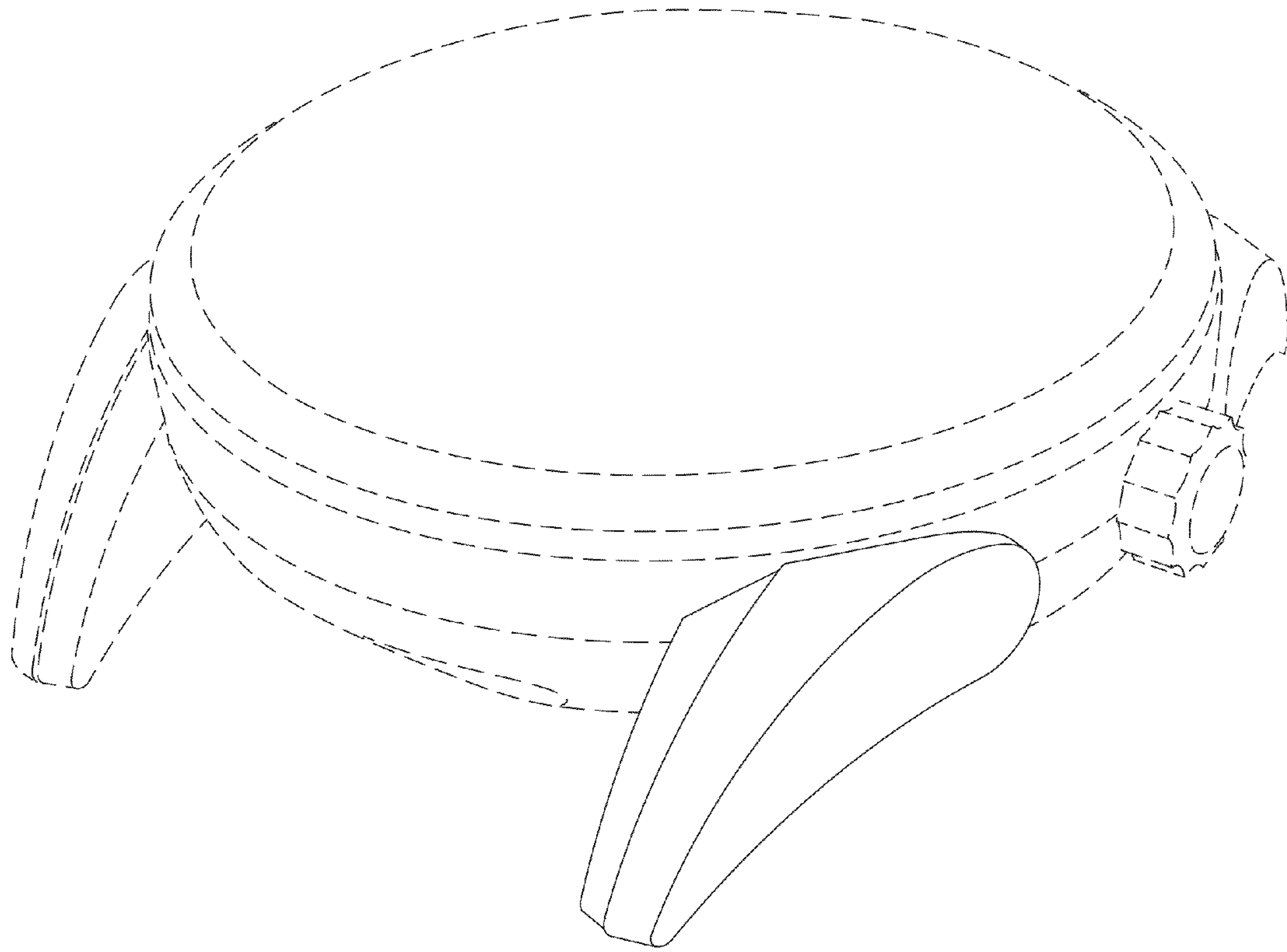


Fig. 14