



US00D725519S

(12) **United States Design Patent**
Drew et al.

(10) **Patent No.:** **US D725,519 S**
(45) **Date of Patent:** **** Mar. 31, 2015**

(54) **VEHICLE REFLASHING AND DIAGNOSTICS
PASS THRU DEVICE**

(71) Applicant: **Drew Technologies, Inc.**, Ann Arbor, MI
(US)

(72) Inventors: **Michael Drew**, Dexter, MI (US); **Brian
Herron**, Dexter, MI (US)

(73) Assignee: **Drew Technologies, LLC**, Ann Arbor,
MI (US)

(**) Term: **14 Years**

(21) Appl. No.: **29/465,767**

(22) Filed: **Aug. 30, 2013**

(51) **LOC (10) Cl.** **10-04**

(52) **U.S. Cl.**
USPC **D10/75**

(58) **Field of Classification Search**

CPC G01D 5/00; G06F 1/166; G06F 1/1656;
G06F 1/1626; G06F 1/1609; G06F 1/637;
G06F 3/03547; G06F 3/04842; G06F 3/04817;
G01M 17/00; G01R 31/007; G01R 31/3648;
G01R 31/3693; G01R 31/3627; F17D 1/08;
F02P 17/08

USPC D10/75, 78; D13/133

See application file for complete search history.

(56) **References Cited**

U.S. PATENT DOCUMENTS

D541,685 S * 5/2007 Bradford D10/78
D701,832 S * 4/2014 Drew et al. D13/133

* cited by examiner

Primary Examiner — Antoine D Davis

(74) *Attorney, Agent, or Firm* — Brinks Gilson & Lione

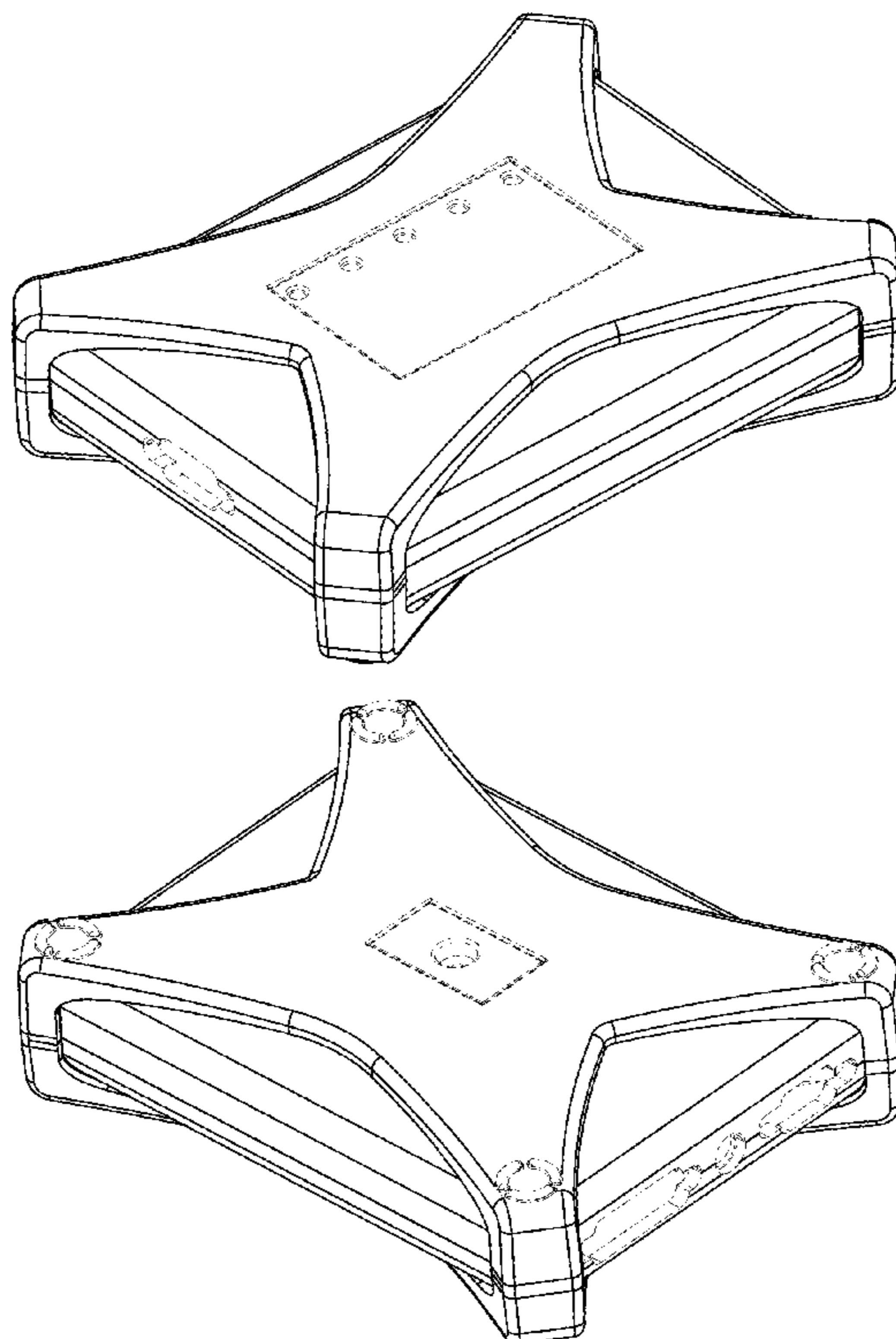
(57) **CLAIM**

The ornamental design for a vehicle reflashing and diagnostics pass thru device, as shown and described.

DESCRIPTION

FIG. 1 is a top perspective view of the vehicle reflashing and diagnostics pass thru device of the present invention; FIG. 2 is a bottom perspective view of the vehicle reflashing and diagnostics pass thru device of the present invention; FIG. 3 is a top view of the vehicle reflashing and diagnostics pass thru device shown in FIG. 1; FIG. 4 is a right side view of the vehicle reflashing and diagnostics pass thru device shown in FIG. 1. FIG. 5 is a back view of the vehicle reflashing and diagnostics pass thru device shown in FIG. 1; FIG. 6 is a bottom view of the vehicle reflashing and diagnostics pass thru device shown in FIG. 1. FIG. 7 is a left side view of the vehicle reflashing and diagnostics pass thru device shown in FIG. 1; and, FIG. 8 is a front view of the vehicle reflashing and diagnostics pass thru device shown in FIG. 1.

1 Claim, 4 Drawing Sheets



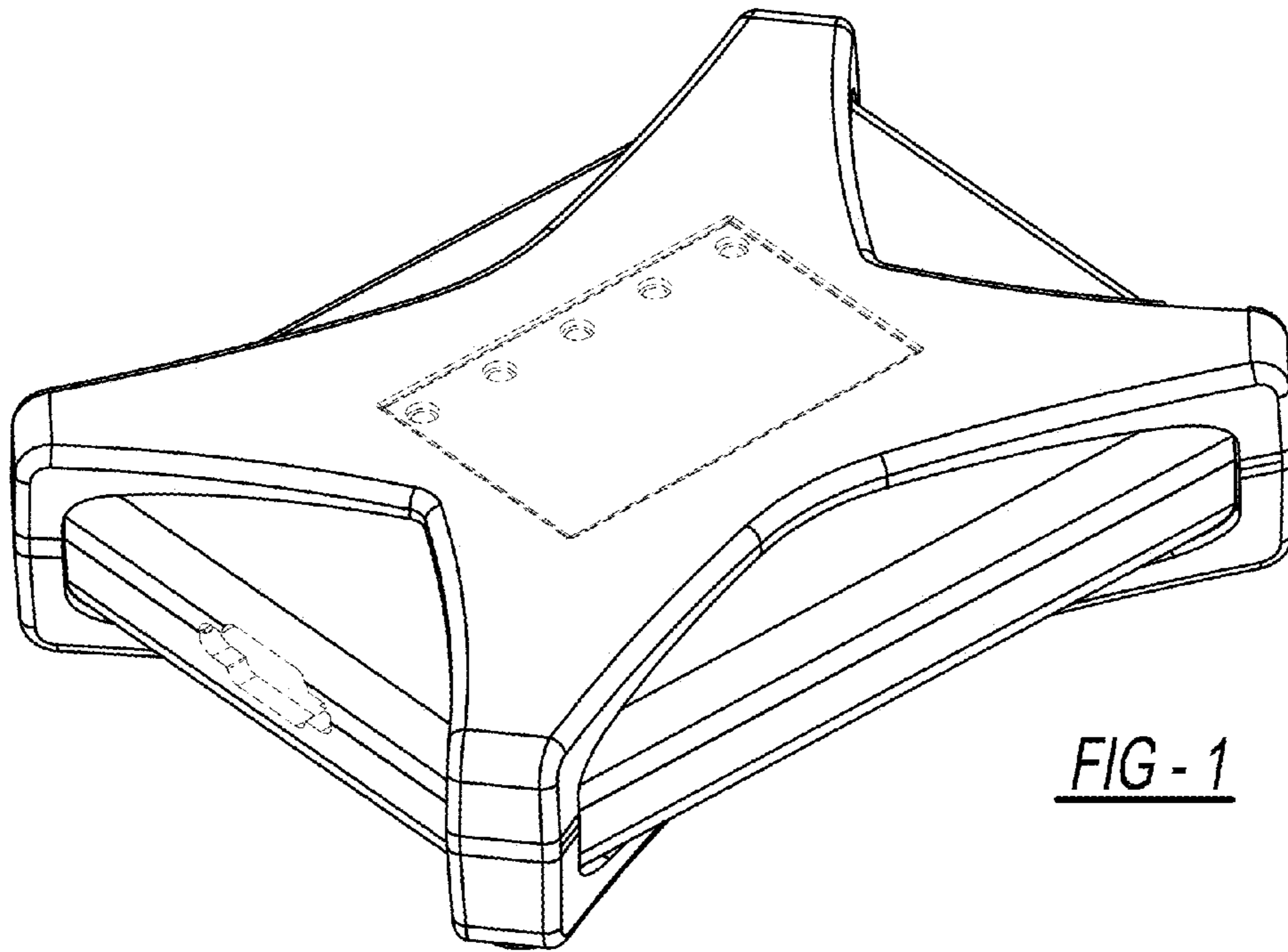


FIG - 1

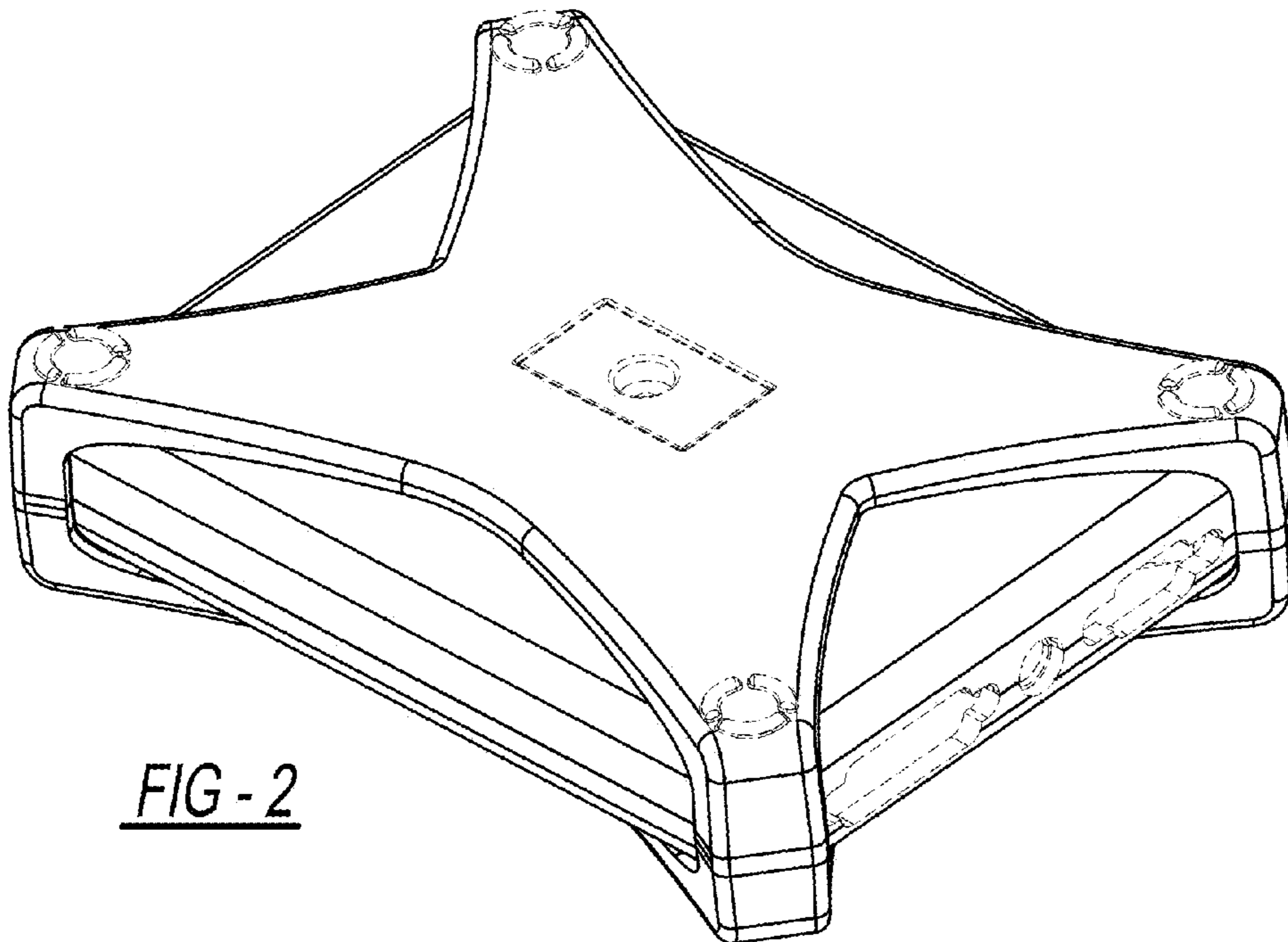


FIG - 2

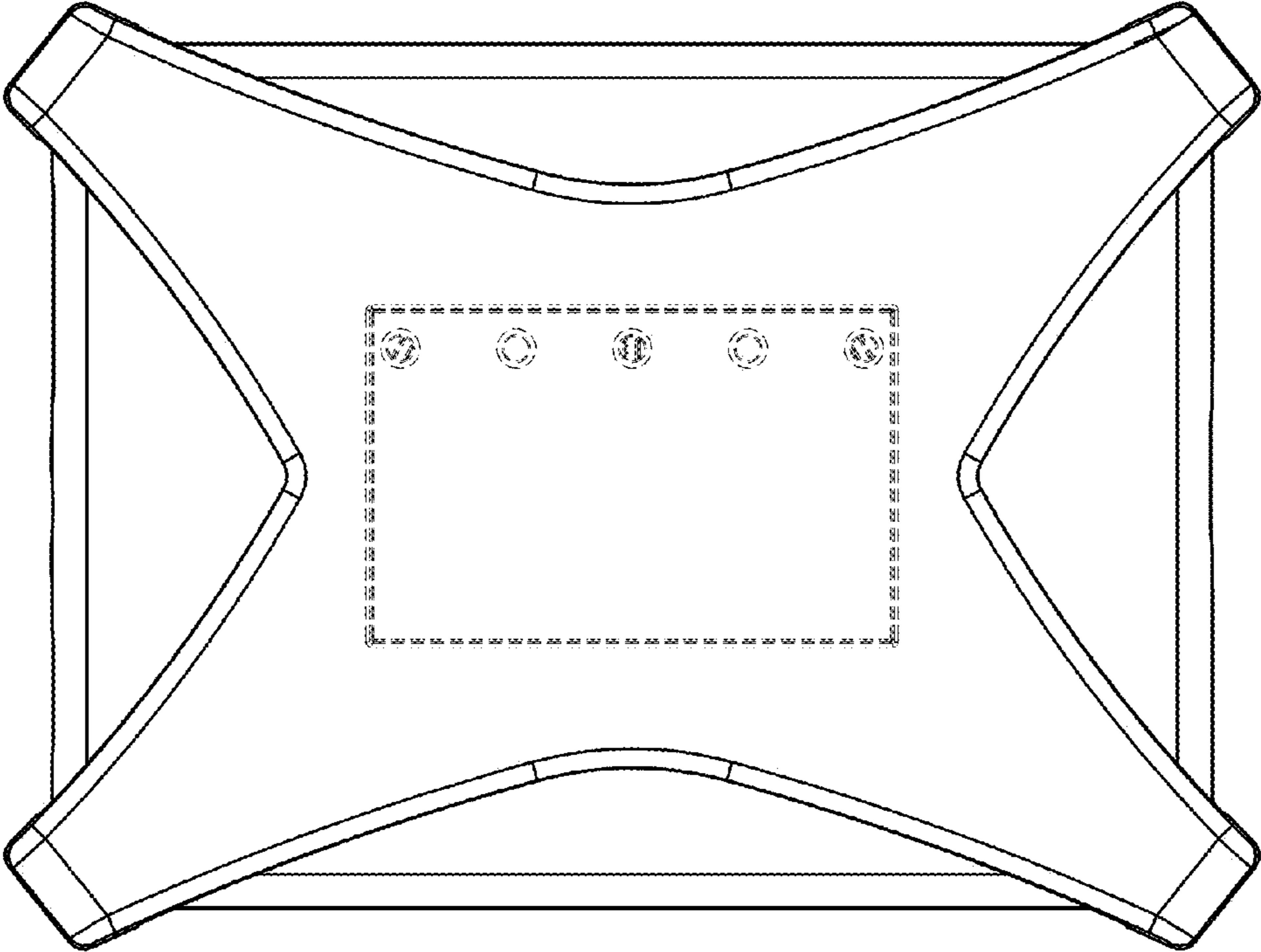


FIG - 3

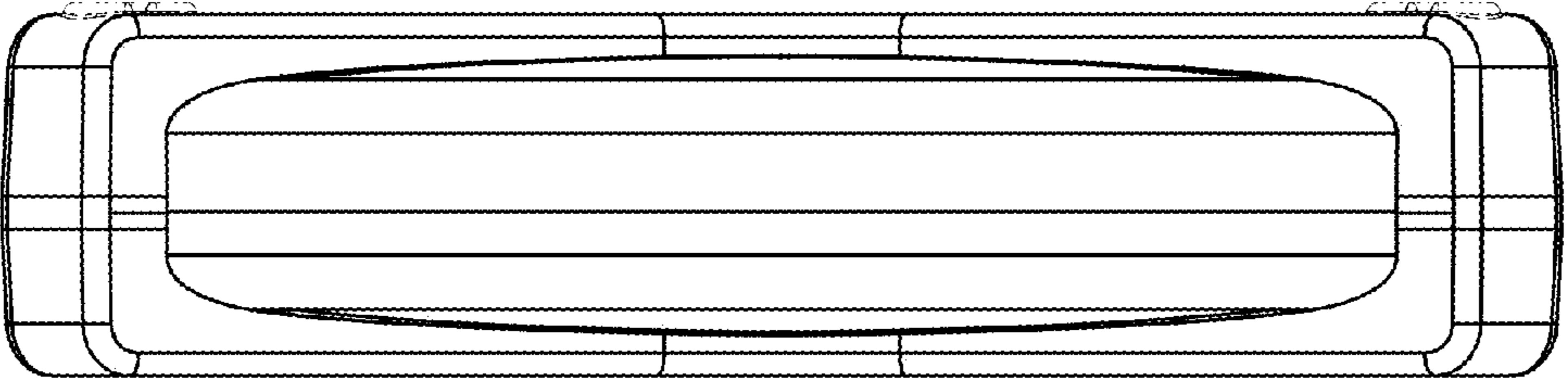


FIG - 4

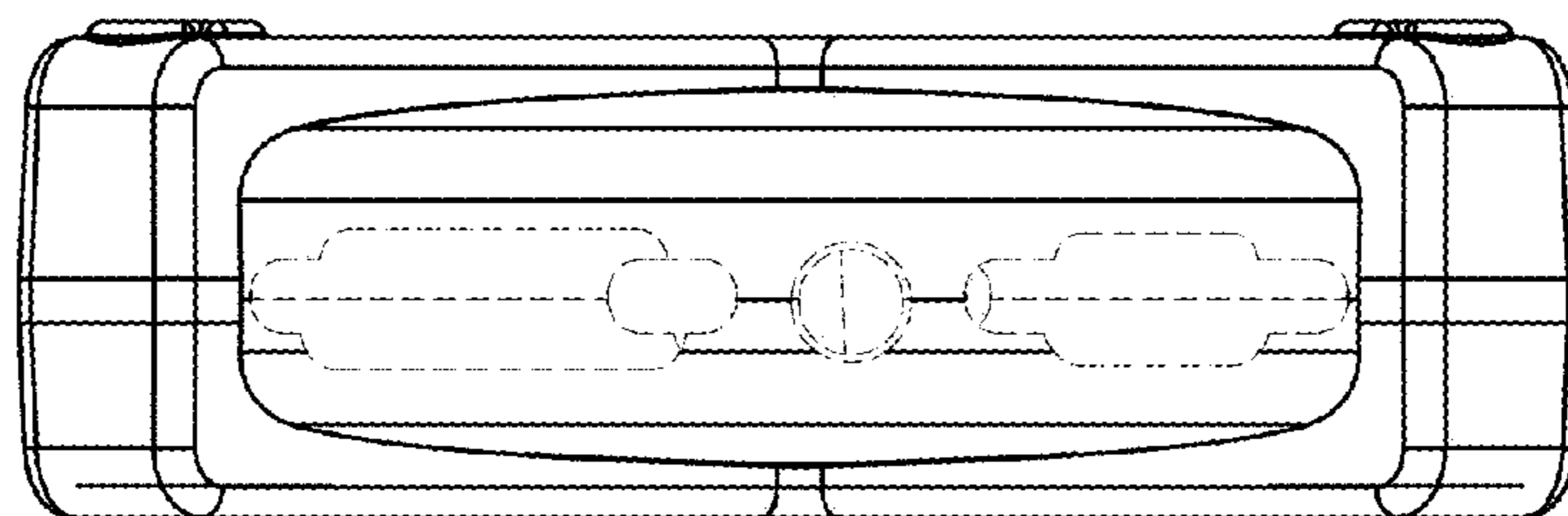


FIG - 5

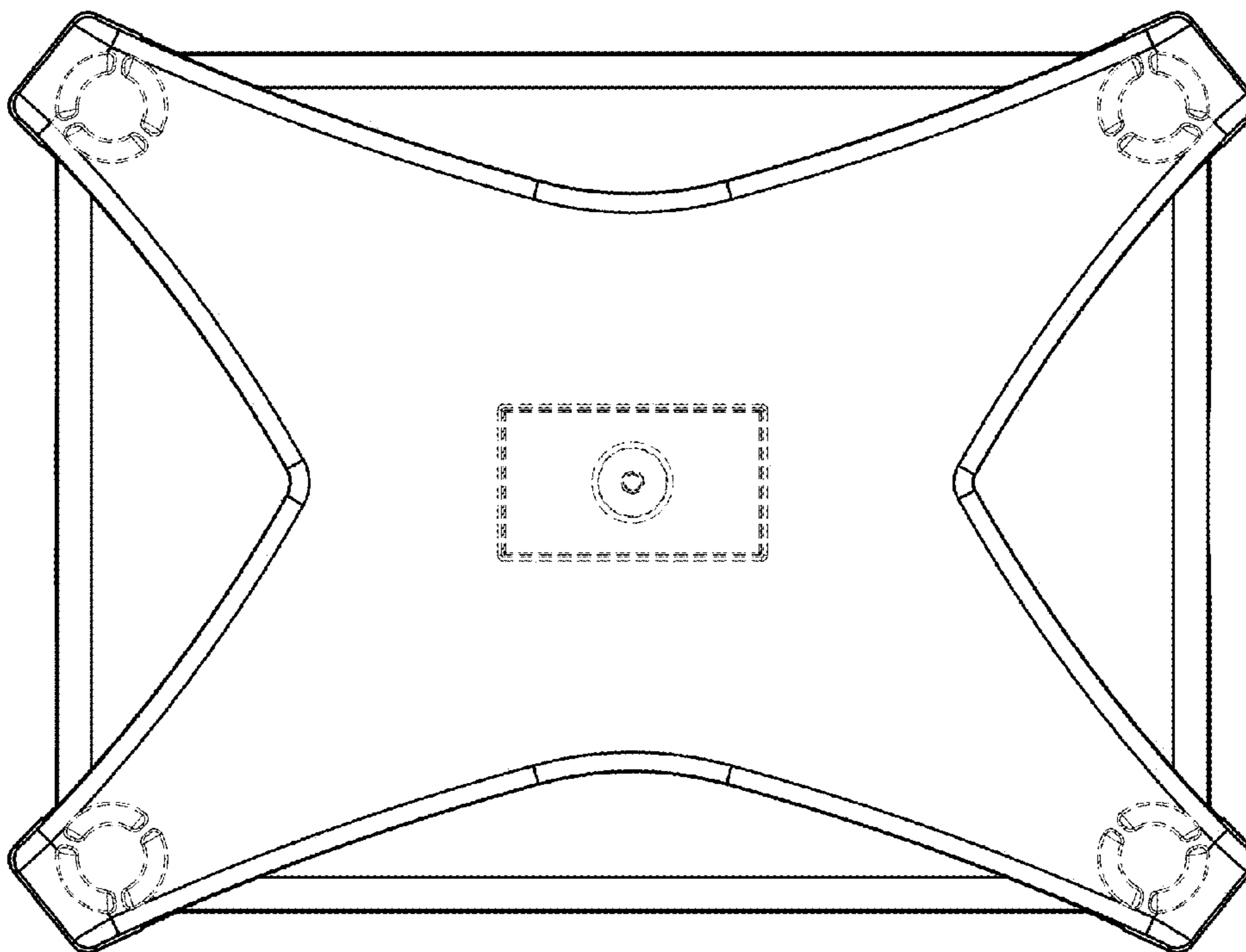


FIG - 6

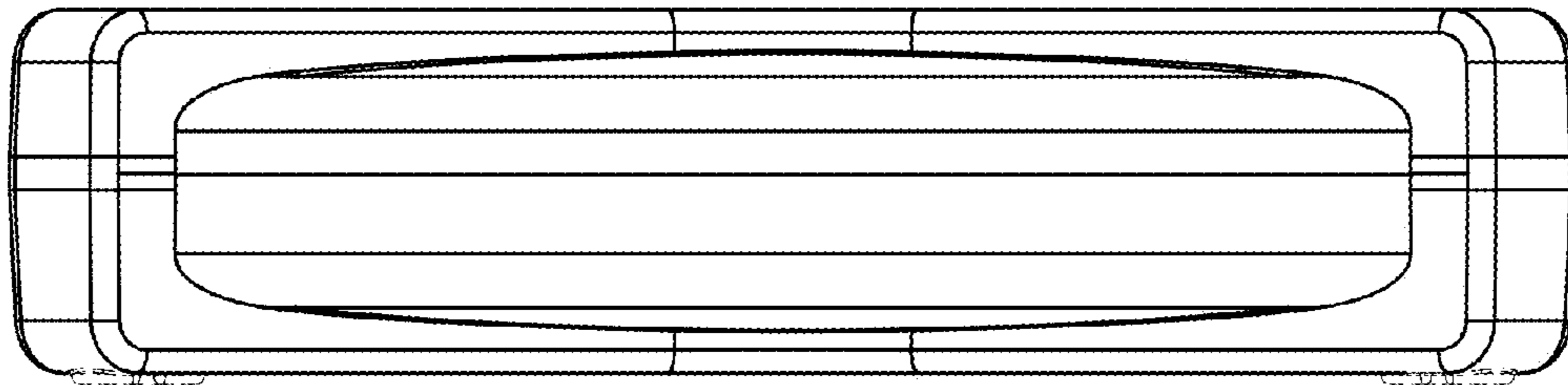


FIG - 7

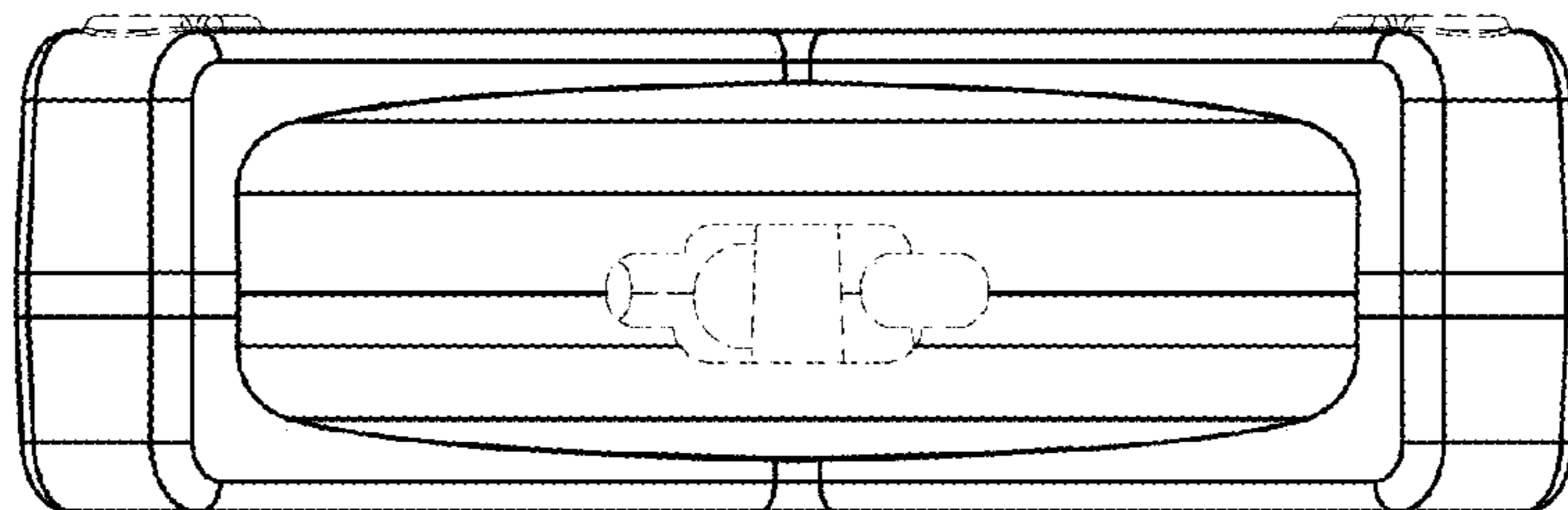


FIG - 8