



US00D725515S

(12) **United States Design Patent**
Zhang et al.

(10) **Patent No.:** **US D725,515 S**
(45) **Date of Patent:** **** Mar. 31, 2015**

(54) **PLANE DEPTH GAUGE**
(71) Applicants: **Yanchen Zhang**, San Clemente, CA
(US); **Meng Zhang**, San Clemente, CA
(US)
(72) Inventors: **Yanchen Zhang**, San Clemente, CA
(US); **Meng Zhang**, San Clemente, CA
(US)
(**) Term: **14 Years**

5,102,471 A * 4/1992 Sasaki 136/244
D332,921 S * 2/1993 Victor, Sr. D10/73
D334,719 S * 4/1993 Yeo D10/73
5,249,366 A * 10/1993 Takahashi et al. 33/811
5,574,381 A * 11/1996 Andermo et al. 324/660
7,802,381 B2 * 9/2010 Condie 36/101
D662,842 S * 7/2012 Zhang D10/73

* cited by examiner

Primary Examiner — Antoine D Davis
(74) *Attorney, Agent, or Firm* — Let Z. Kwan, Esq.

(21) Appl. No.: **29/479,731**
(22) Filed: **Jan. 18, 2014**
(51) **LOC (10) Cl.** **10-04**
(52) **U.S. Cl.**
USPC **D10/74**
(58) **Field of Classification Search**
CPC G01B 3/18–3/205
USPC D10/73, 74
See application file for complete search history.

(57) **CLAIM**
The ornamental design for a plane depth gauge, as shown and described.

DESCRIPTION

FIG. 1 is a top, left perspective view of a plane depth gauge showing our new design;
FIG. 2 is a top plan view thereof;
FIG. 3 is a left side view thereof;
FIG. 4 is a bottom plan view thereof;
FIG. 5 is a right side view thereof;
FIG. 6 is a rear end view thereof; and,
FIG. 7 is a head on view thereof.

(56) **References Cited**
U.S. PATENT DOCUMENTS
4,375,722 A * 3/1983 Nishikata et al. 33/795
5,056,238 A * 10/1991 Chi 33/810

1 Claim, 4 Drawing Sheets

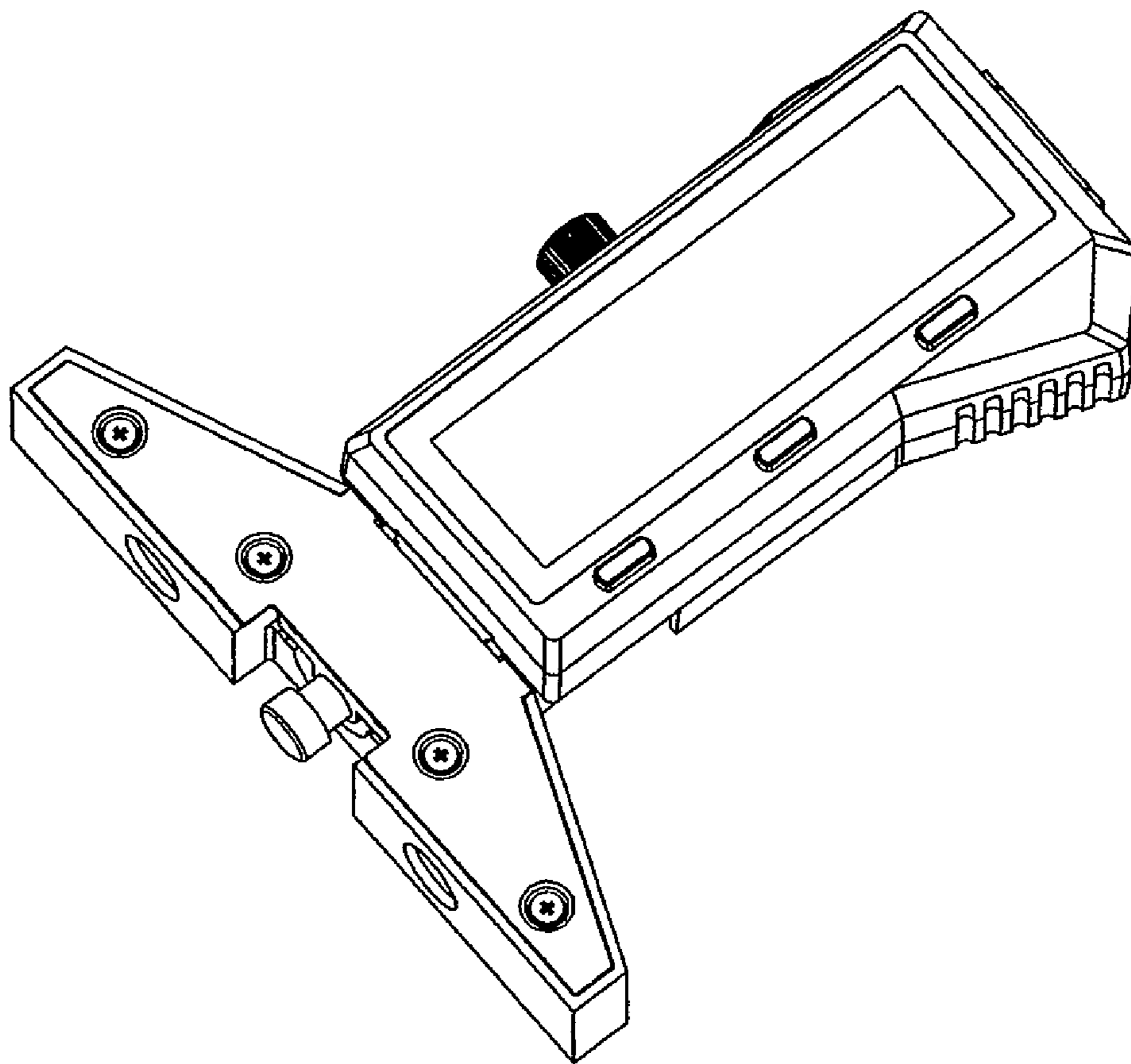
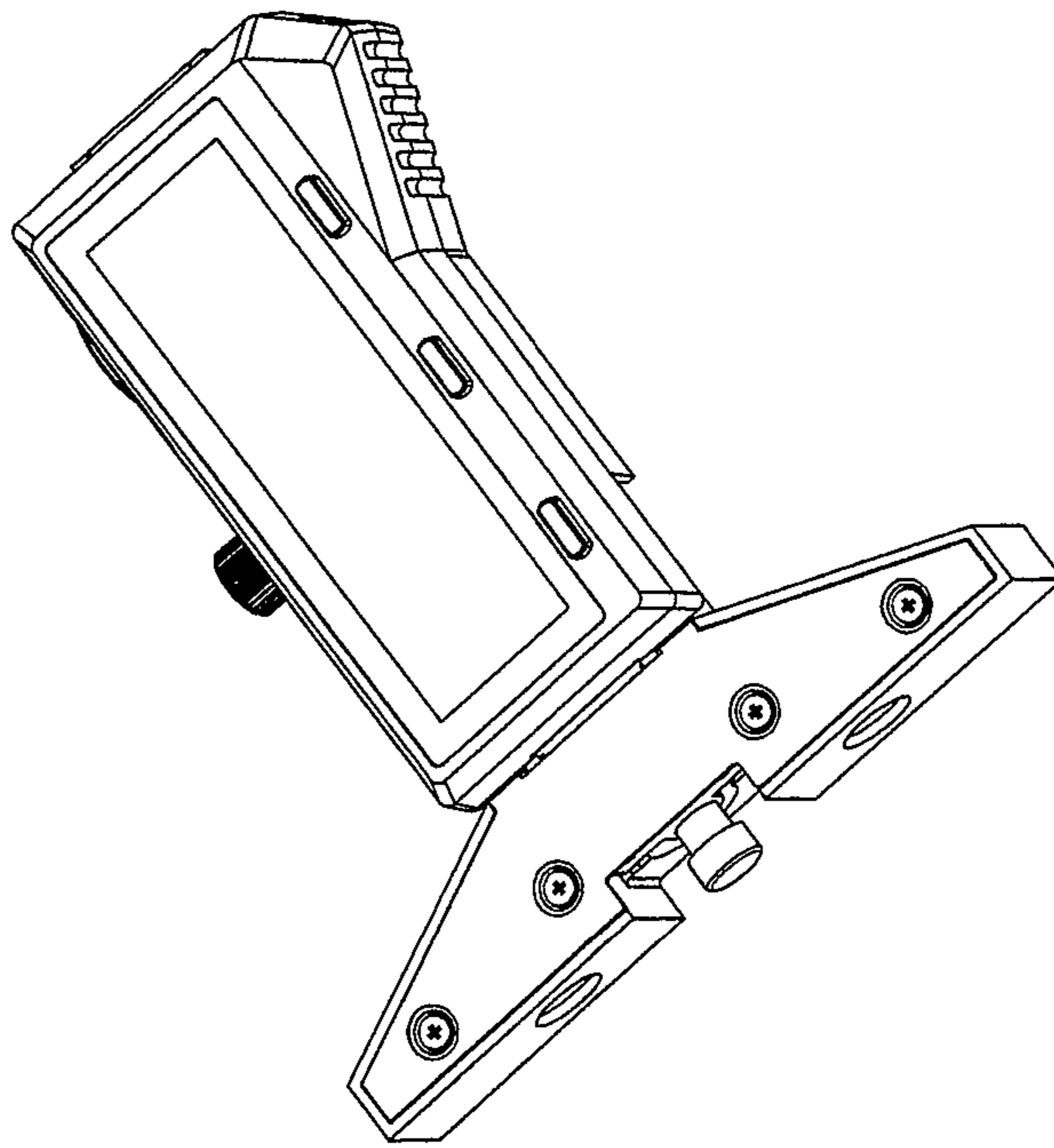


Fig. 1



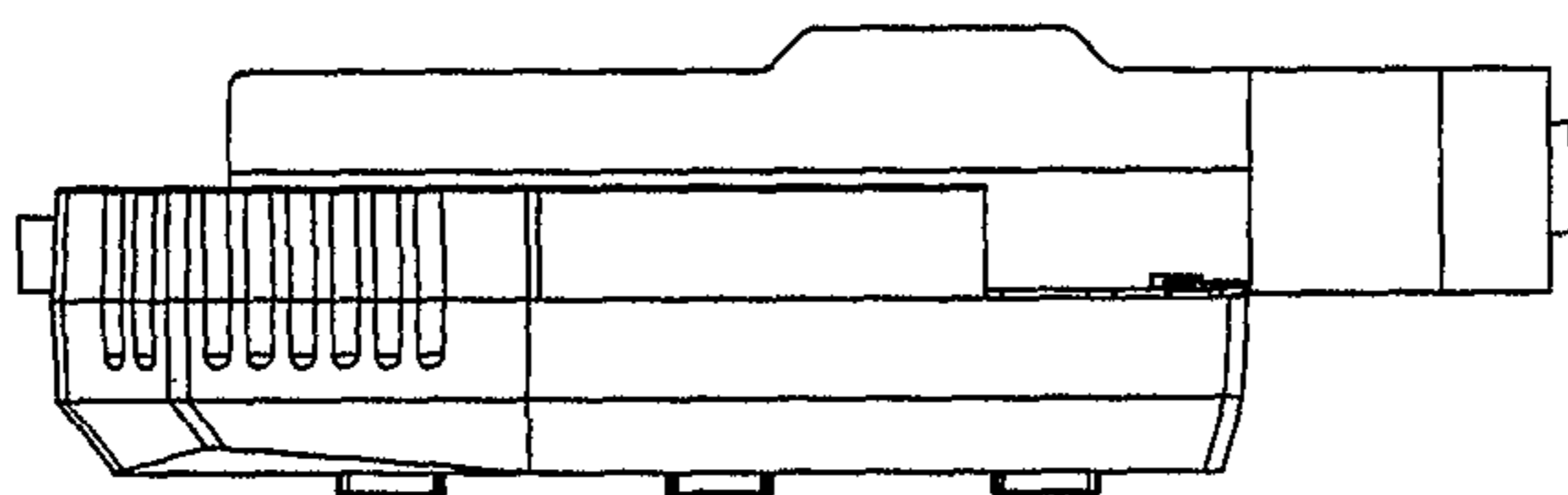


Fig.3

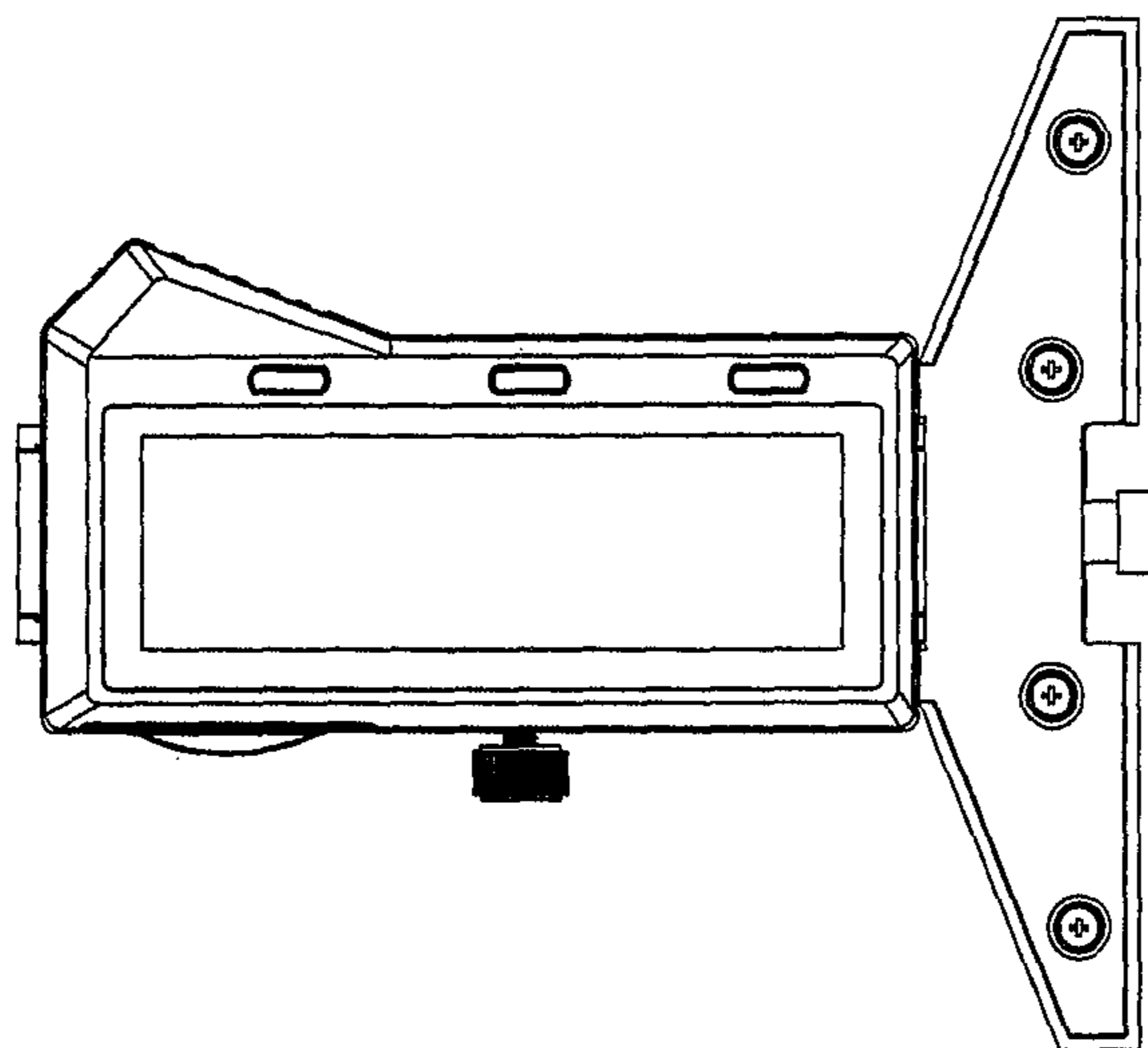


Fig.2

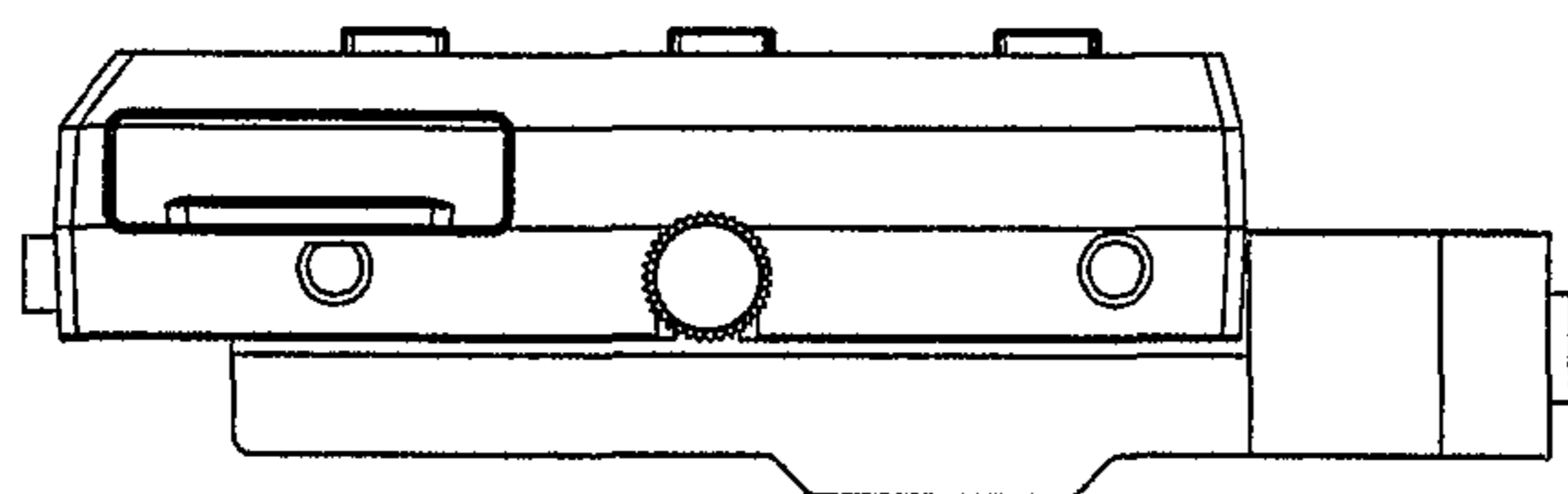


Fig.5

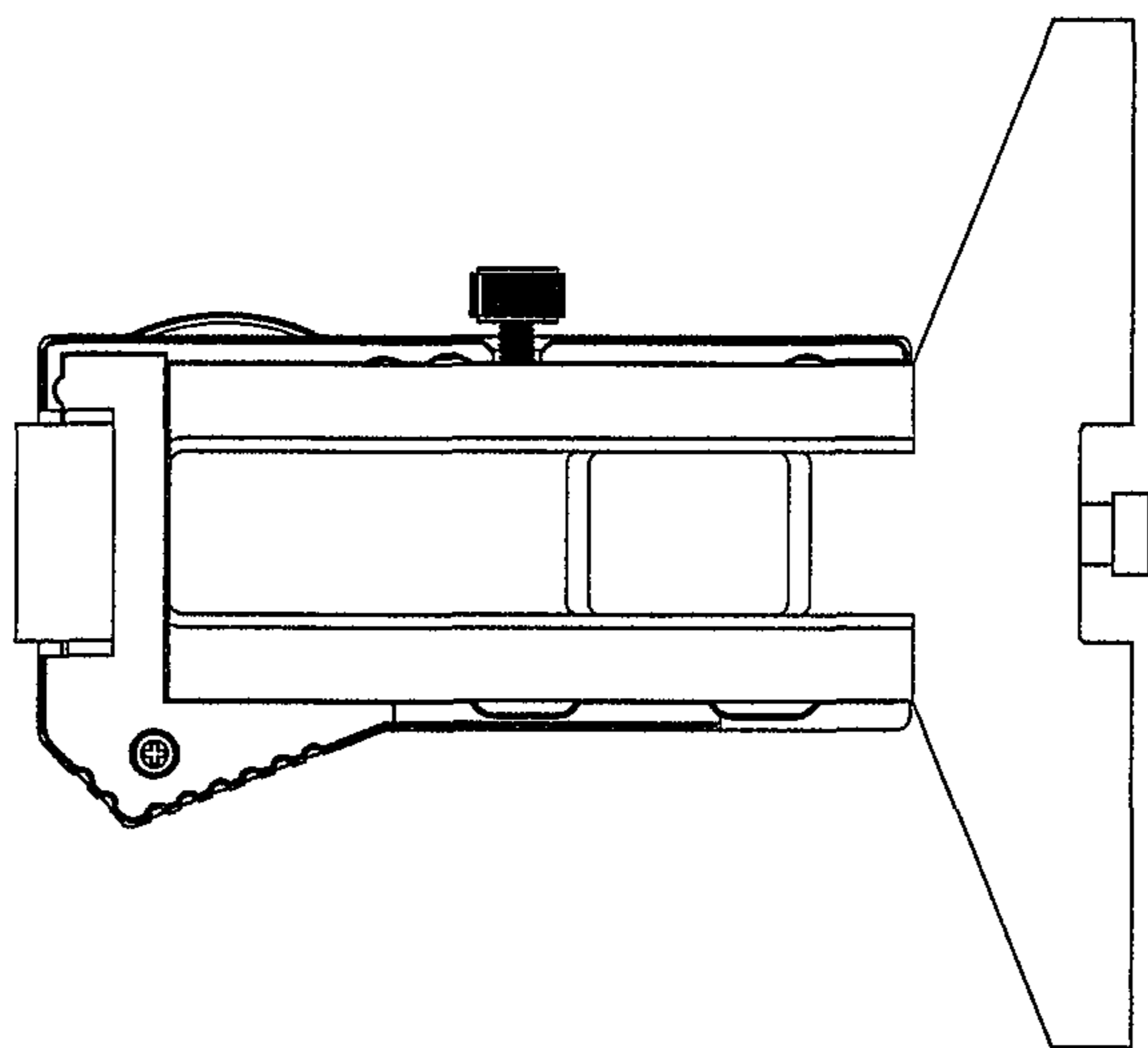


Fig.4

Fig.6

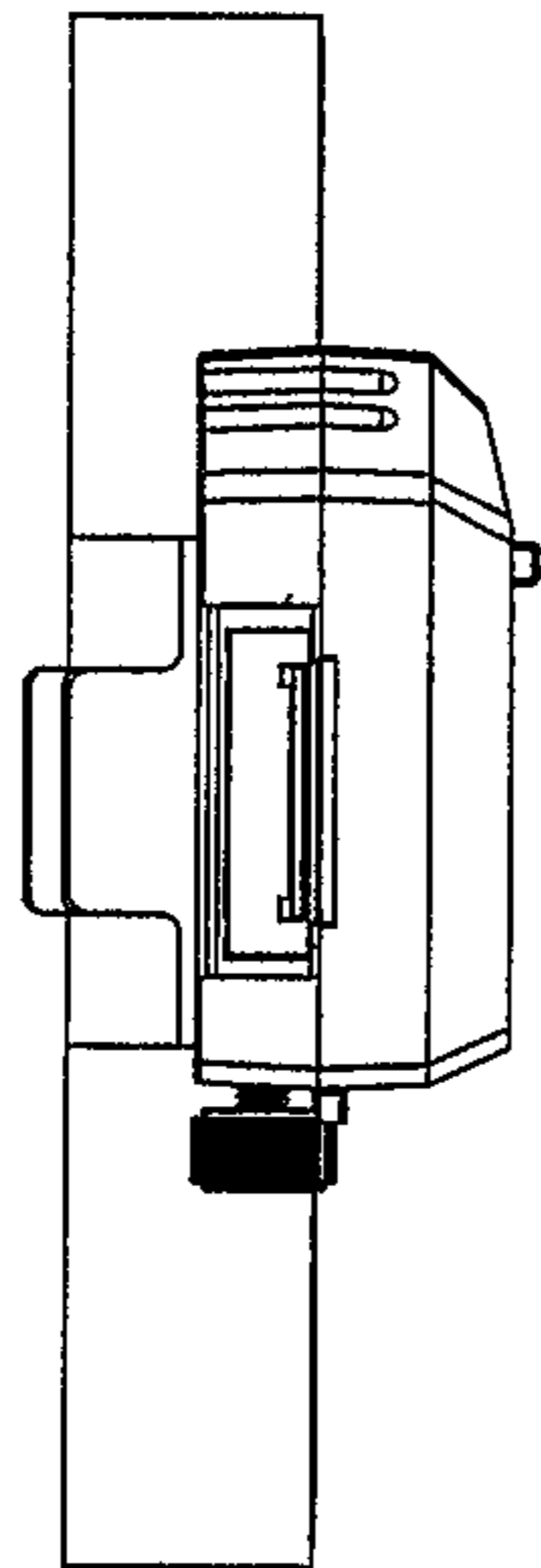


Fig.7

