



US00D725514S

(12) **United States Design Patent**
Broadbent et al.

(10) **Patent No.:** **US D725,514 S**
(45) **Date of Patent:** **** Mar. 31, 2015**

(54) **MOUNTING APPARATUS FOR ELECTRONIC PORTABLE DEVICE**

(56) **References Cited**

U.S. PATENT DOCUMENTS

(71) Applicant: **TomTom International B.V.**,
Amsterdam (NL)
(72) Inventors: **Samuel Mark Broadbent**, Amsterdam
(NL); **Andrew John Roy Tattersfield**,
Amsterdam (NL); **Nicholas Alexander
Evans**, Amsterdam (NL); **Mark Lee
Dempsey**, Beckenham (GB)

D365,366 S * 12/1995 Cerrato D19/73
6,840,791 B2 * 1/2005 Hsiu 439/374
7,172,164 B2 * 2/2007 Fuelling et al. 248/314
7,850,484 B2 * 12/2010 Hayashi et al. 439/529
D630,955 S * 1/2011 McAlpine et al. D10/74
8,376,303 B2 * 2/2013 Yang et al. 248/346.04
D705,680 S * 5/2014 Wiercinski et al. D10/74

* cited by examiner

Primary Examiner — Antoine D Davis

(73) Assignee: **TomTom International B.V.**,
Amsterdam (NL)

(57) **CLAIM**

The ornamental design for a mounting apparatus for elec-
tronic portable device, as shown and described.

(**) Term: **14 Years**

DESCRIPTION

(21) Appl. No.: **29/459,913**

FIG. 1 is a perspective view showing the front and upper
surface of the mounting apparatus.

(22) Filed: **Jul. 4, 2013**

FIG. 2 is a front view of the mounting apparatus.

(30) **Foreign Application Priority Data**

Jan. 4, 2013 (EM) 002161950-0002

FIG. 3 is a rear view of the mounting apparatus.

(51) **LOC (10) Cl.** **10-04**

(52) **U.S. Cl.**
USPC **D10/74**

FIG. 4 is a side view of the mounting apparatus; opposing left
and right side views of the device are the same; and,

(58) **Field of Classification Search**
USPC D10/74; D14/251; 248/146, 314, 309.1,
248/310, 311.2, 311.3, 904,
248/346.01–346.11; 379/446, 454;
439/529, 929

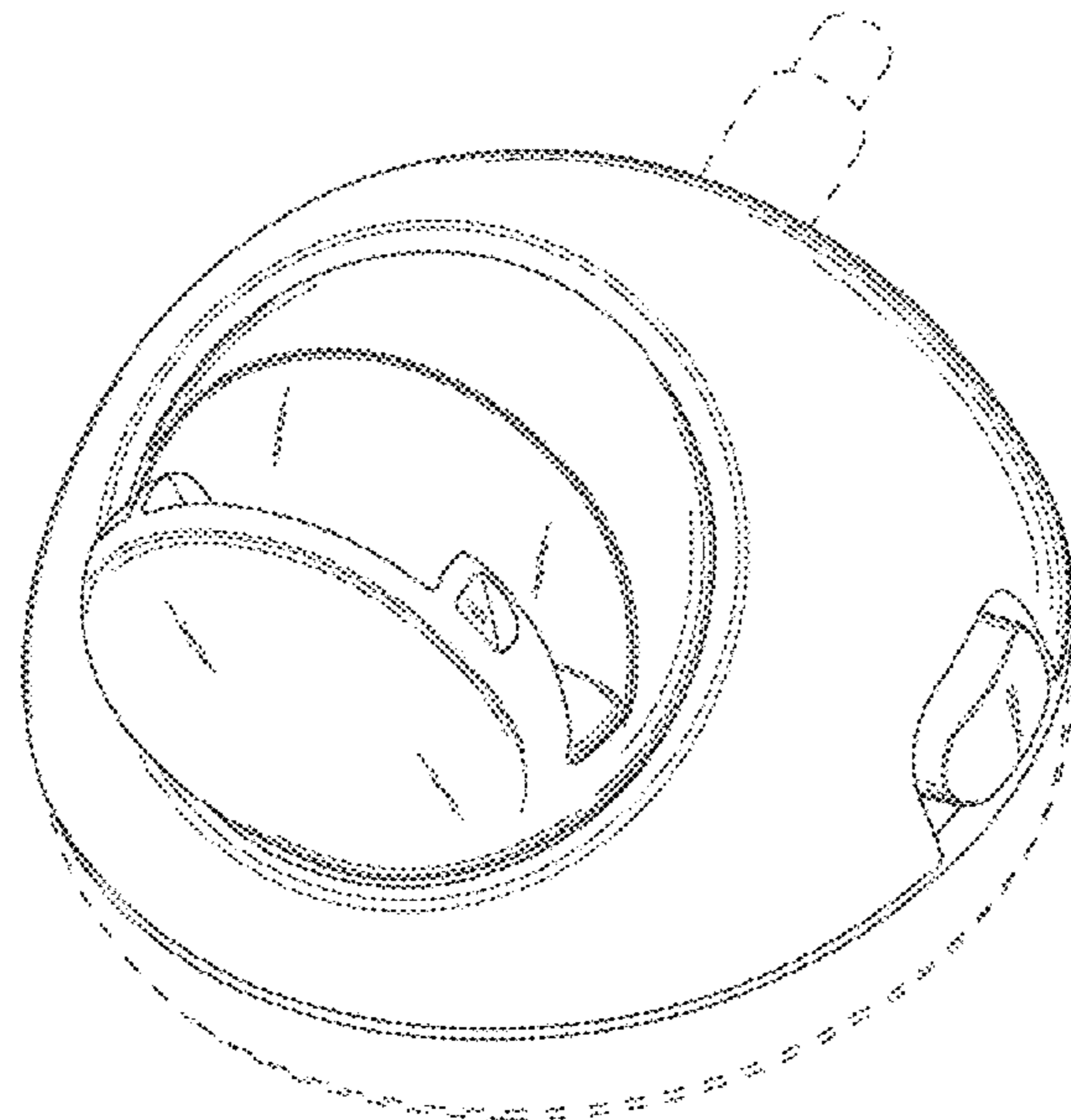
FIG. 5 is a top view of the mounting apparatus.

Portions of FIGS. 1 to 5 are shown in dashed lines for illus-
trative purposes only and form no part of the claimed design.
For example, the disk into which the mounting apparatus can
be docked does not form part of the claimed design.

The design comprises a mounting apparatus, optionally an
active vehicle mount, for supporting an electronic portable
device. The device is preferably for use in providing travel
and traffic information to a user. The mount is configured to
be removably insertable into a disk that can be affixed to a
vehicle dashboard.

See application file for complete search history.

1 Claim, 3 Drawing Sheets



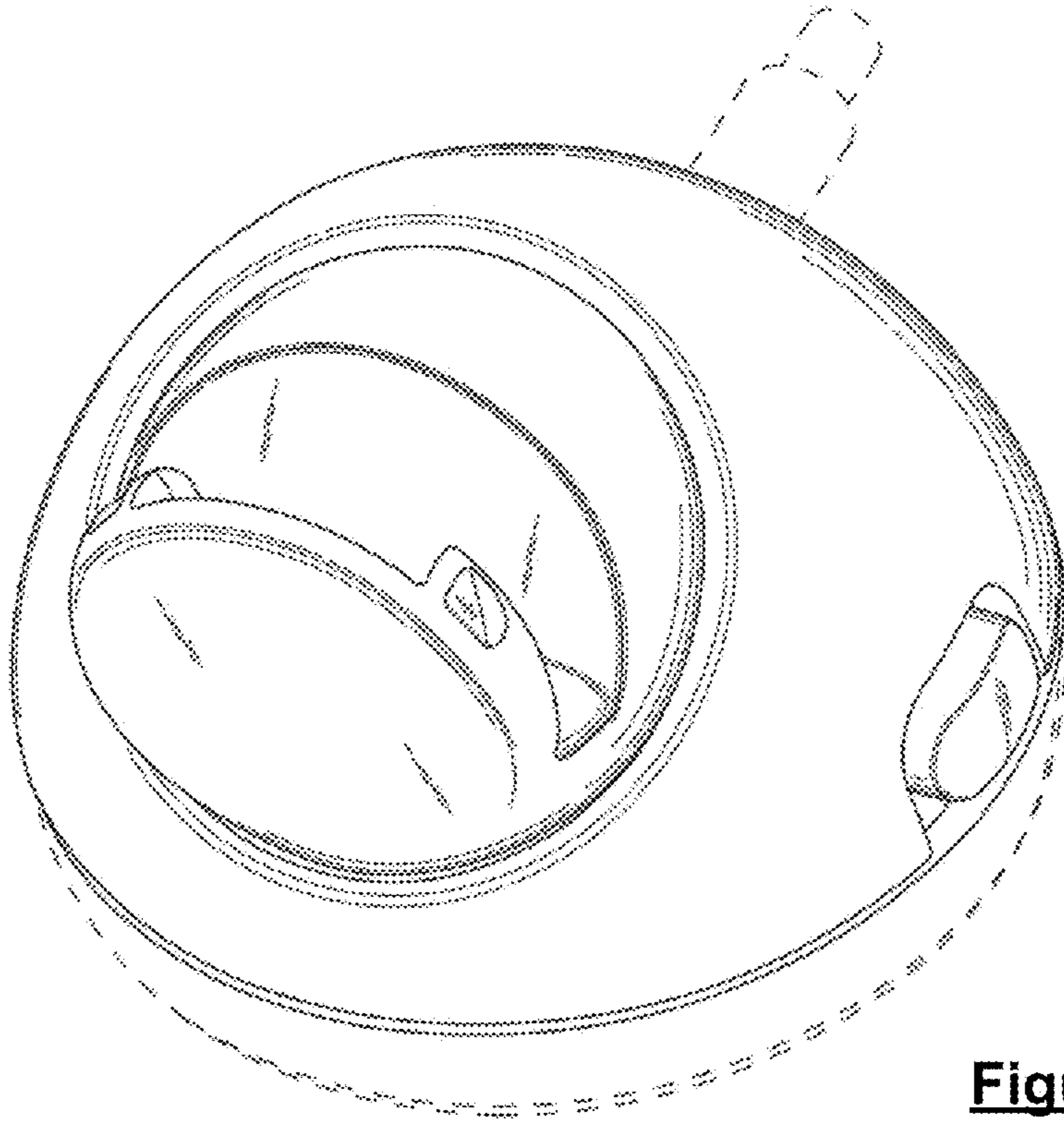


Figure 1

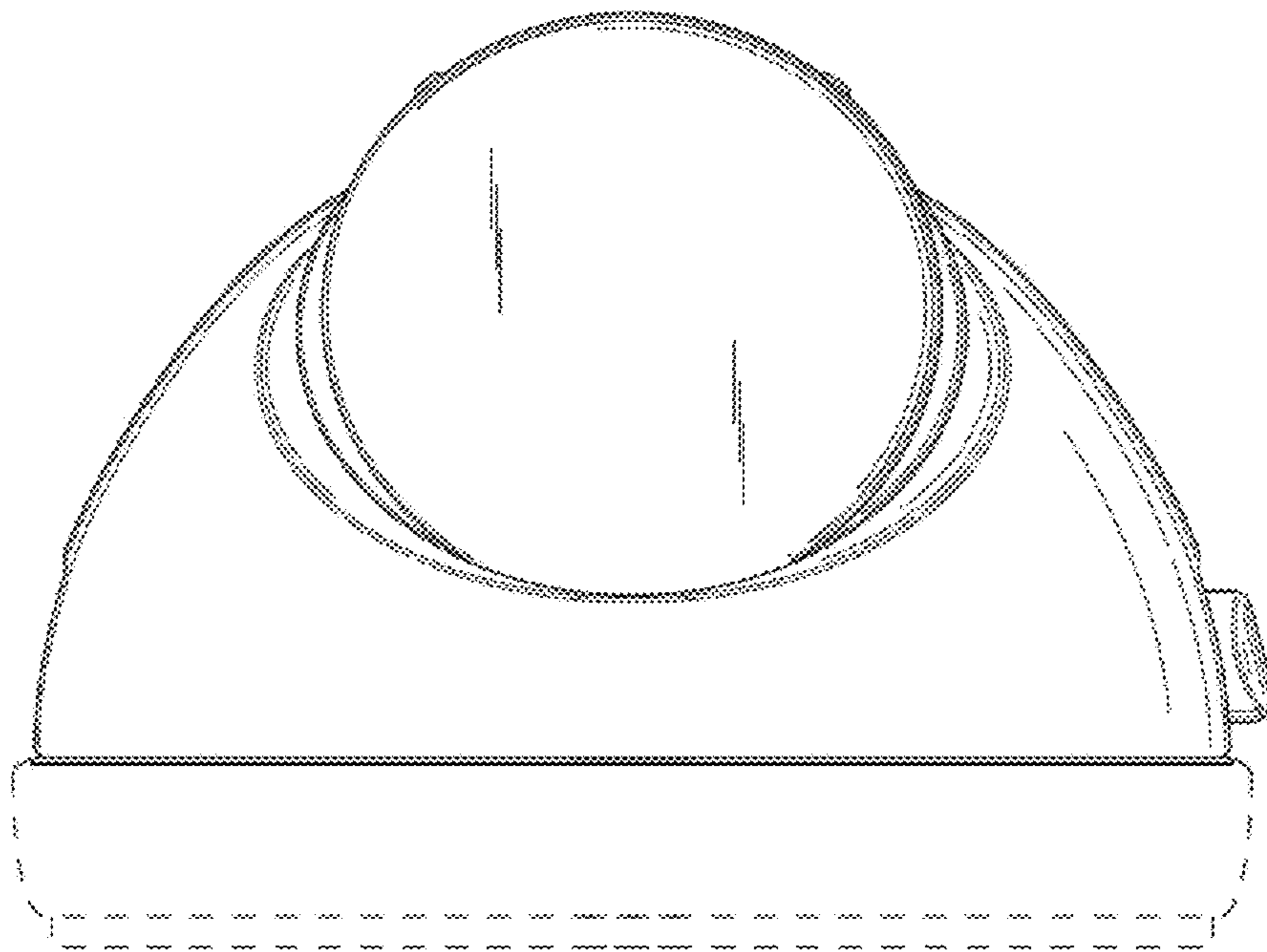


Figure 2

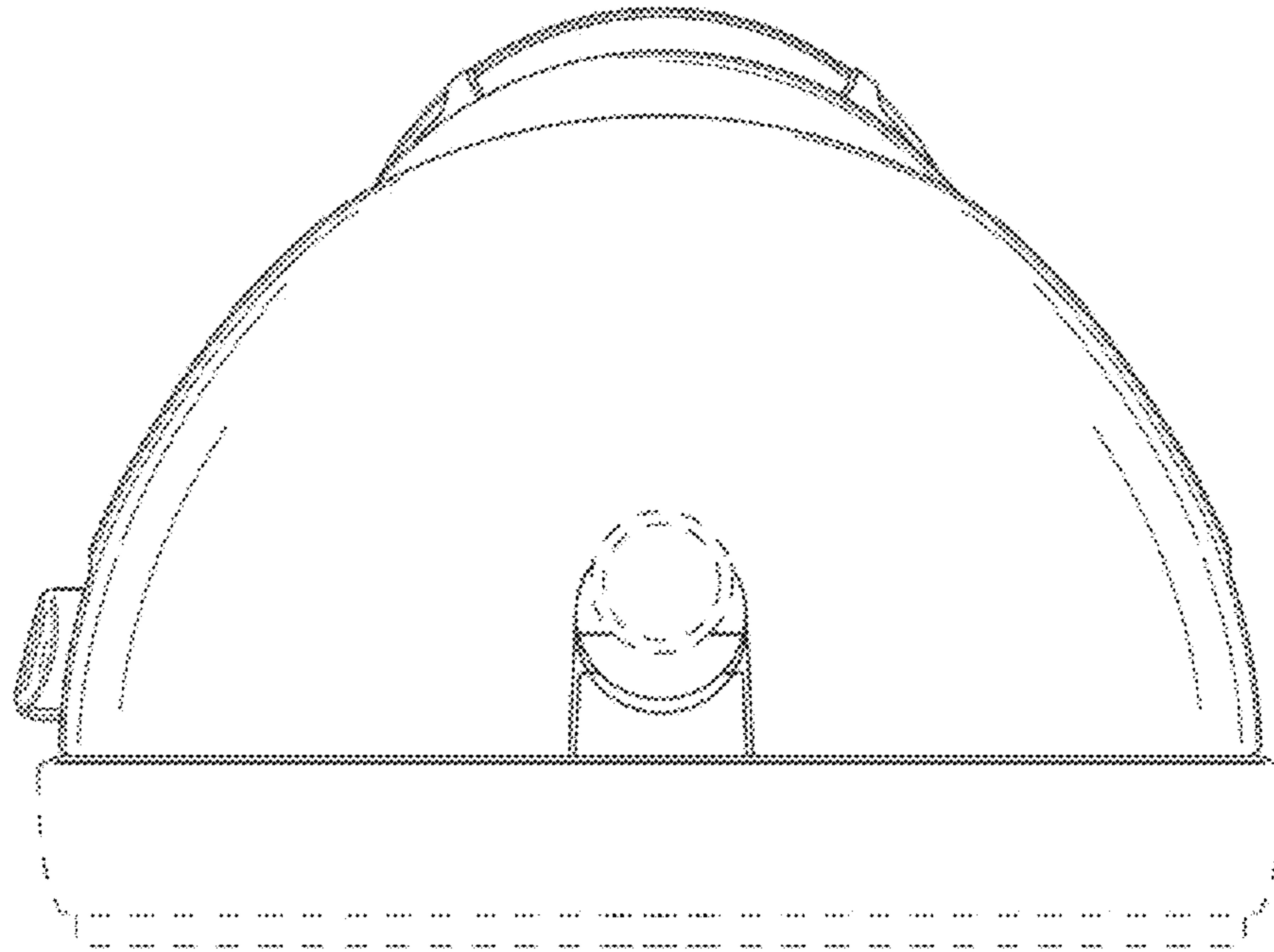


Figure 3

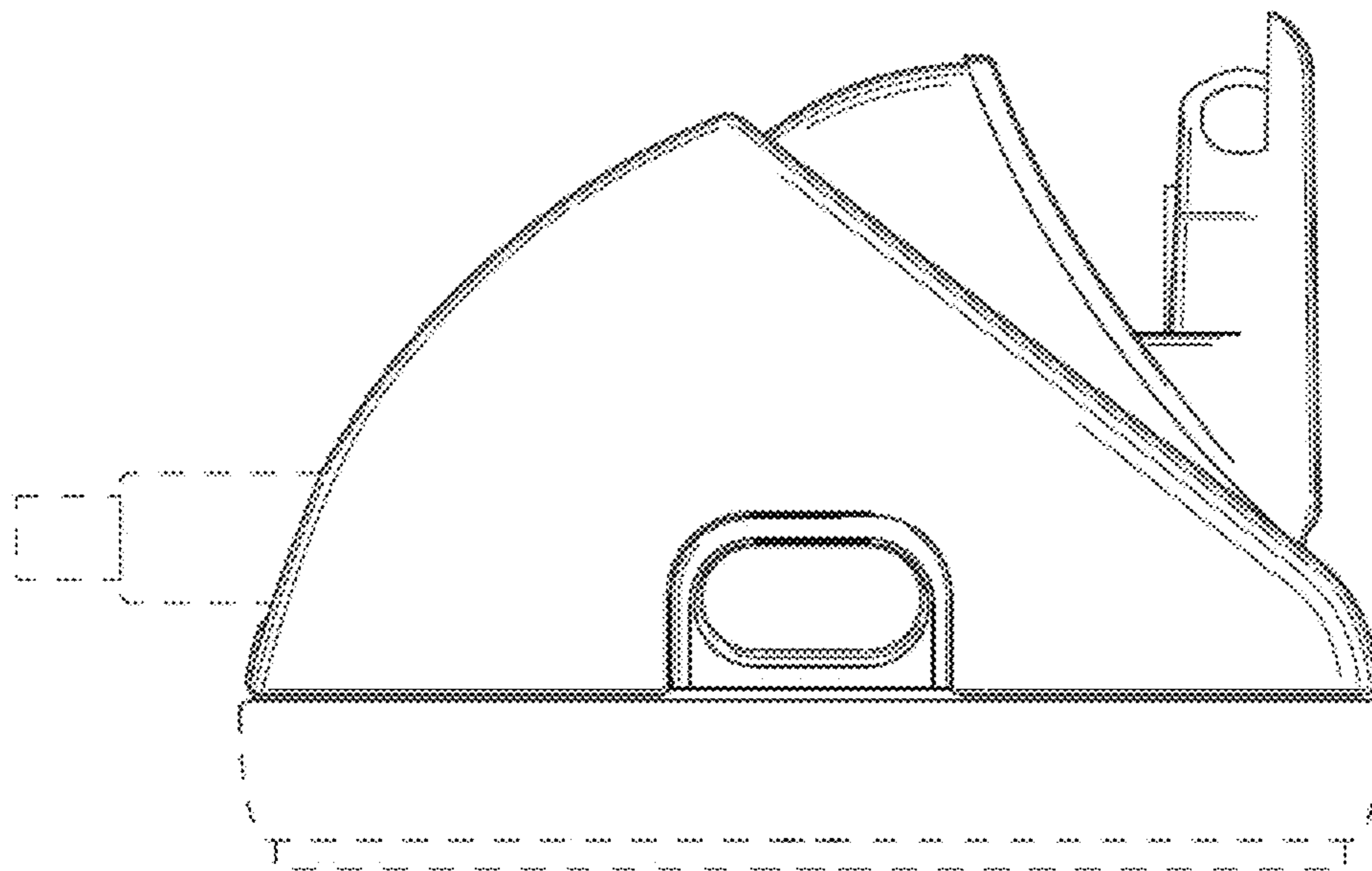


Figure 4

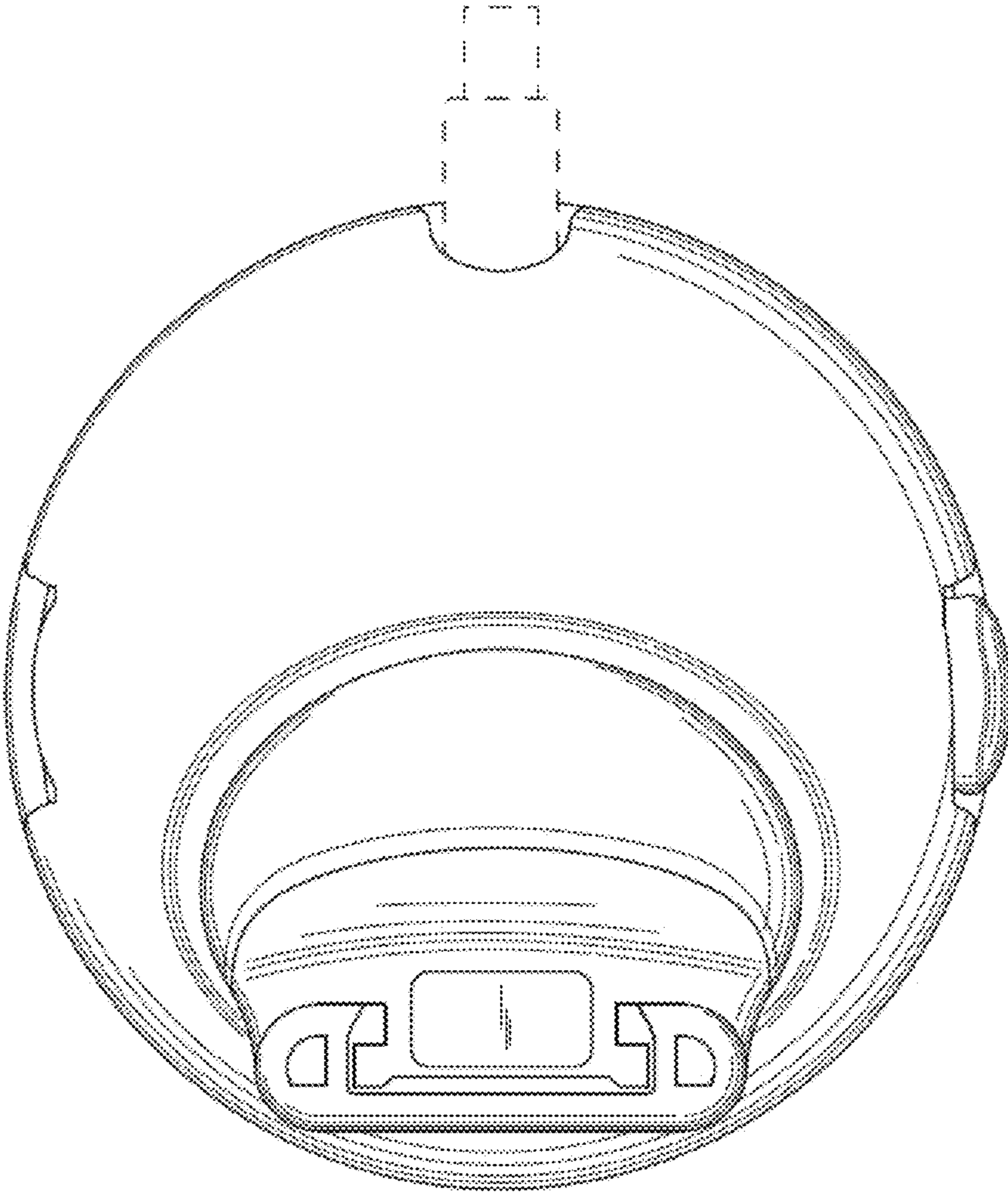


Figure 5