



US00D725513S

(12) **United States Design Patent**
Horovitz et al.

(10) **Patent No.:** **US D725,513 S**
(45) **Date of Patent:** **** Mar. 31, 2015**

(54) **TAPE MEASURE**

USPC D10/72; 33/755-771; 242/285, 291,
242/379, 379.1, 379.2, 381, 381.1-381.6,
242/405

(71) Applicant: **Stanley Black & Decker, Inc.**, New
Britain, CT (US)

See application file for complete search history.

(72) Inventors: **Nadin Daniel Horovitz**, Rehovot (IL);
Fanyi Meng, New Taipei (TW)

(56) **References Cited**

U.S. PATENT DOCUMENTS

(73) Assignee: **Stanley Black & Decker Inc.**, New
Britain, CT (US)

D311,874 S * 11/1990 Ingram et al. D10/72
D315,109 S * 3/1991 Ingram et al. D10/72
D653,972 S * 2/2012 Robinson et al. D10/72
2011/0239479 A1* 10/2011 Chisholm et al. 33/770

(**) Term: **14 Years**

* cited by examiner

(21) Appl. No.: **29/500,578**

Primary Examiner — Antoine D Davis

(22) Filed: **Aug. 26, 2014**

(74) *Attorney, Agent, or Firm* — Gabriel A. Haboubi

(30) **Foreign Application Priority Data**

(57) **CLAIM**

The ornamental design for a tape measure, as shown and described.

Mar. 11, 2014 (CN) 2014 3 0046921

DESCRIPTION

(51) **LOC (10) Cl.** **10-04**

FIG. 1 is a perspective view of our new design;

(52) **U.S. Cl.**

FIG. 2 is a front view thereof;

USPC **D10/72**

FIG. 3 is a rear view thereof;

(58) **Field of Classification Search**

CPC G07B 3/10; G01B 3/1082; G01B 3/1056;
G01B 3/563; G01B 3/566; G01B 3/1071;
G01B 2003/1089; G01B 2003/1092; G01B
2003/1048; G01B 2003/1079; G01B
2003/1041; G01B 2003/1084

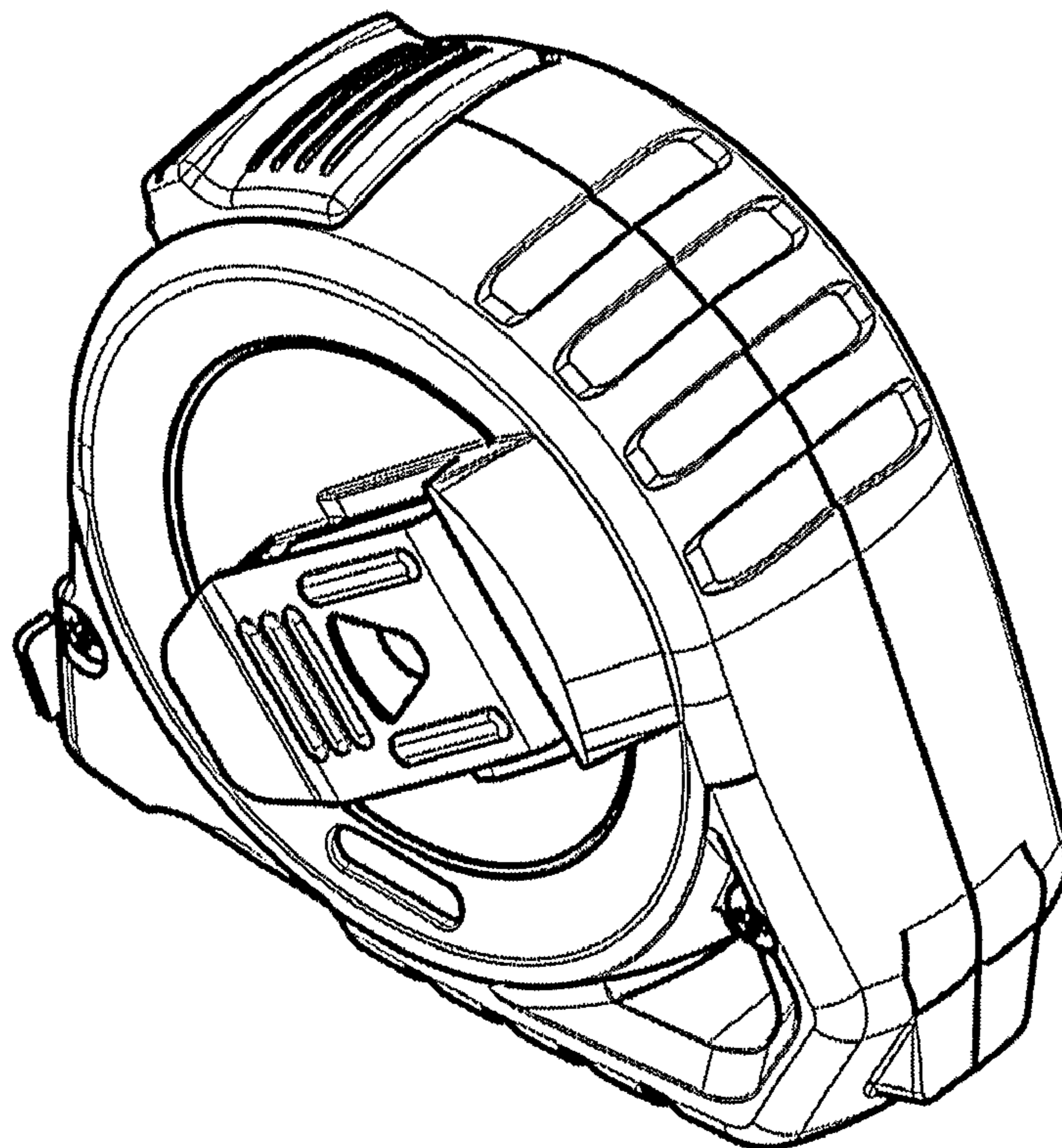
FIG. 4 is a left side view thereof;

FIG. 5 is a right side view thereof;

FIG. 6 is a top view thereof; and,

FIG. 7 is a bottom view thereof.

1 Claim, 7 Drawing Sheets



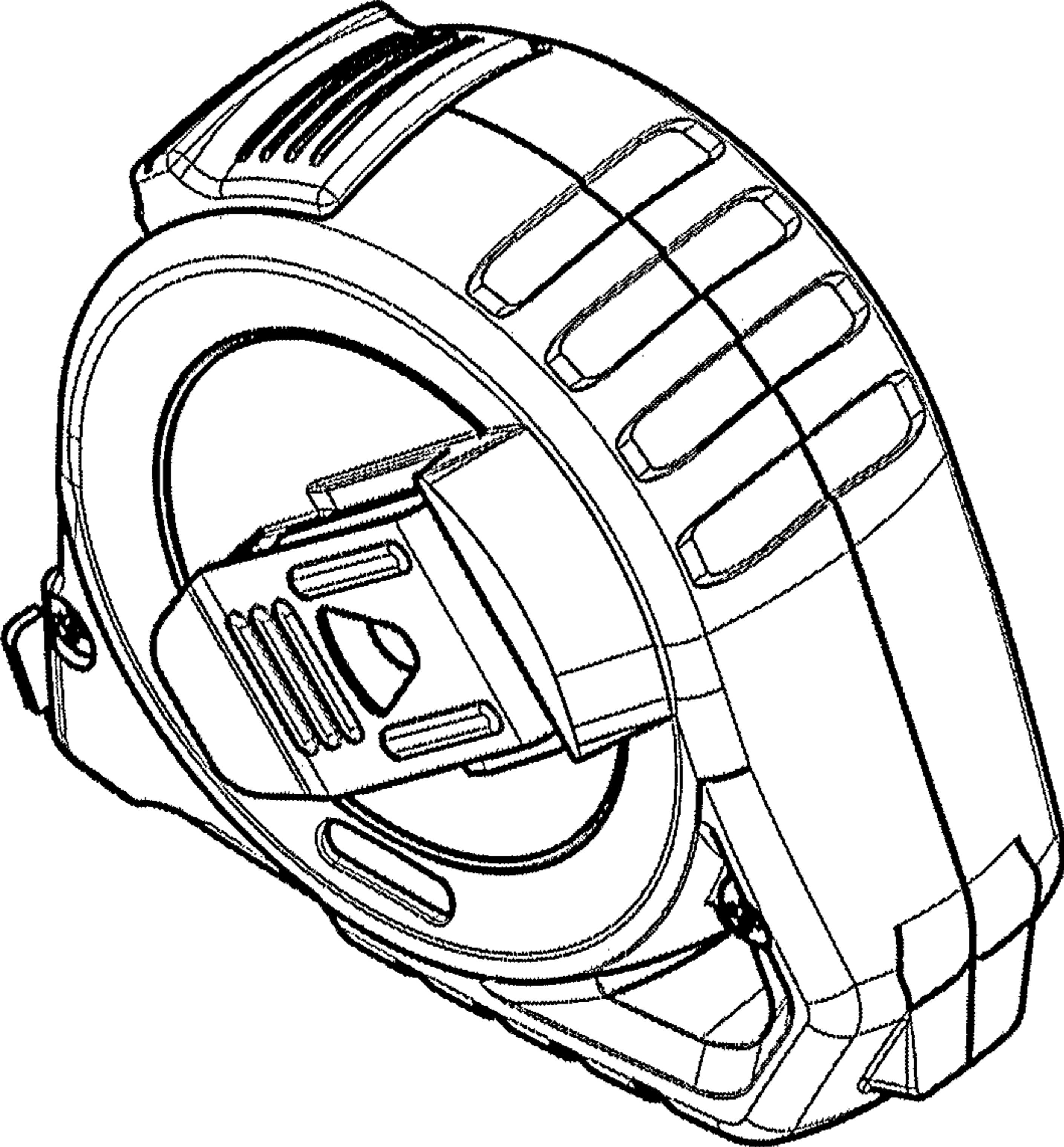


Fig. 1

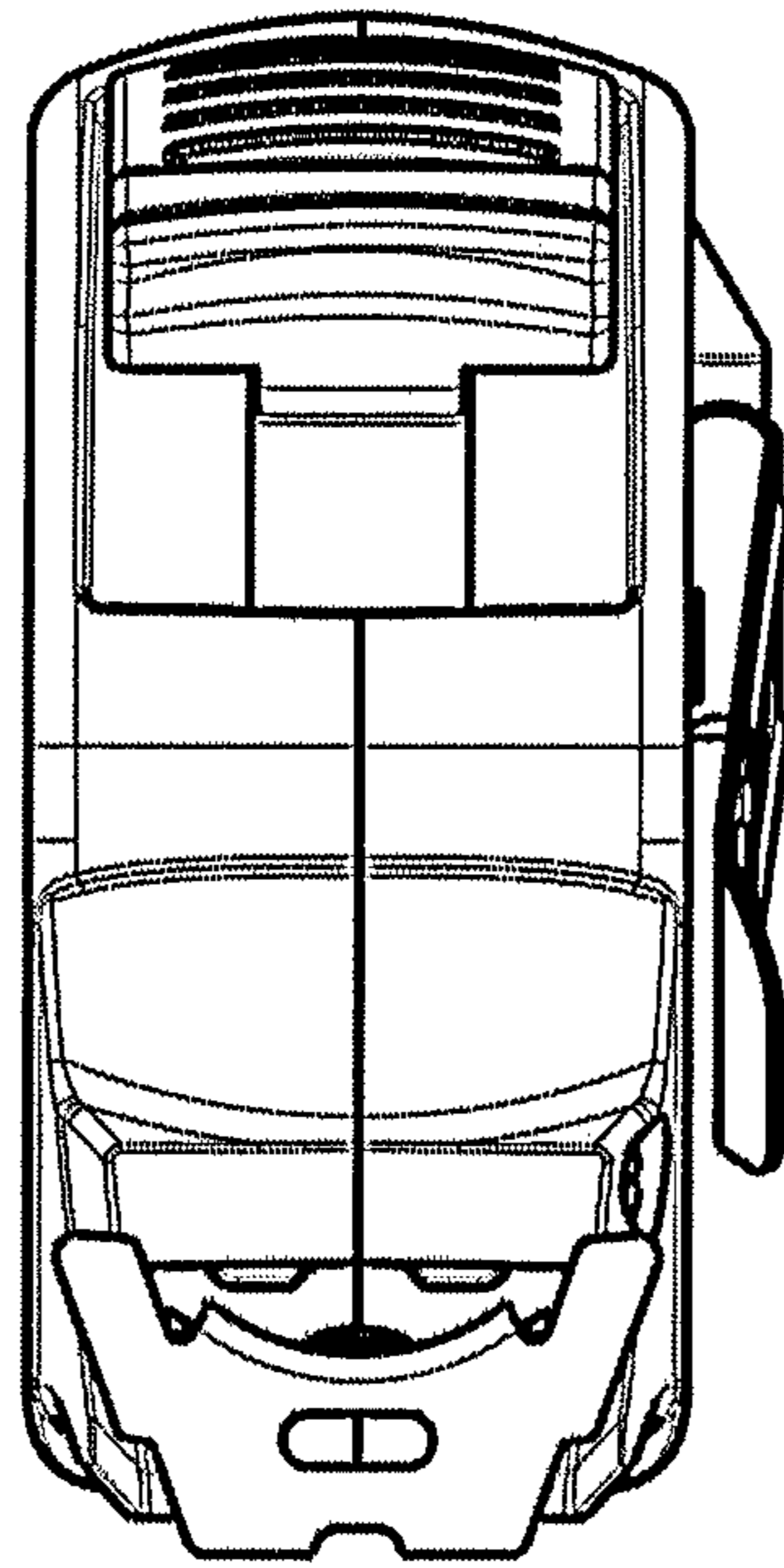


Fig. 2

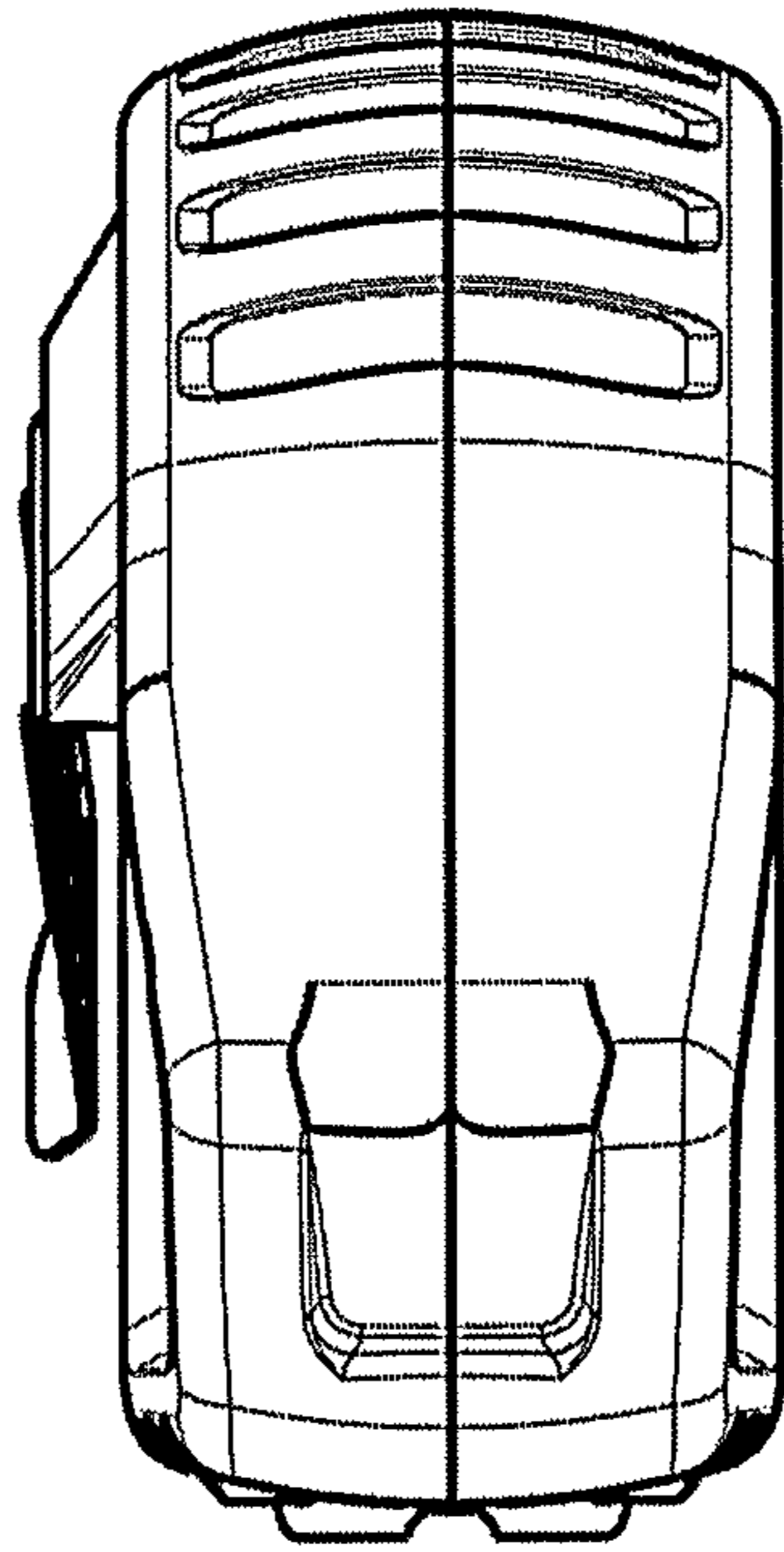


Fig. 3

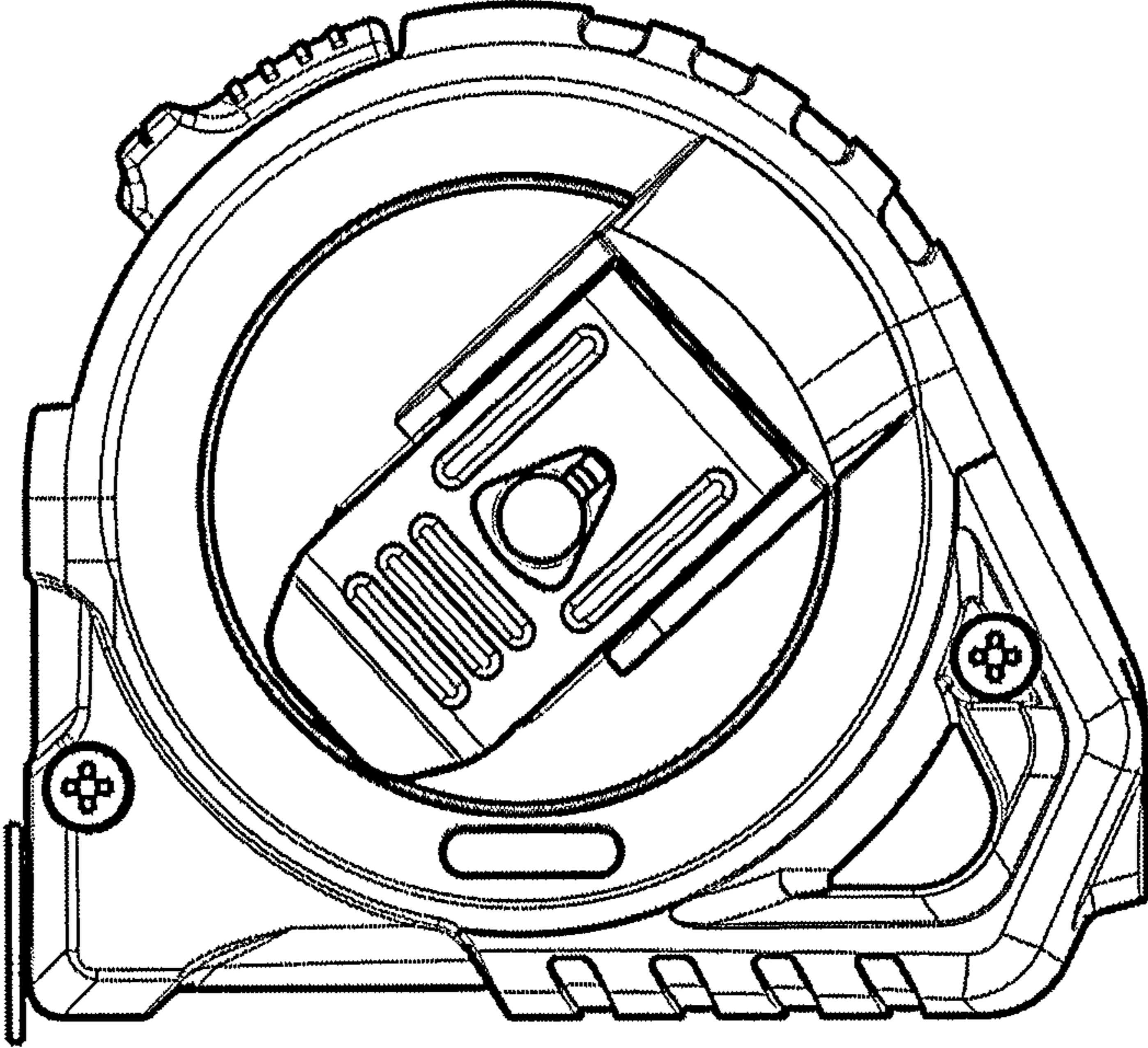


Fig. 4

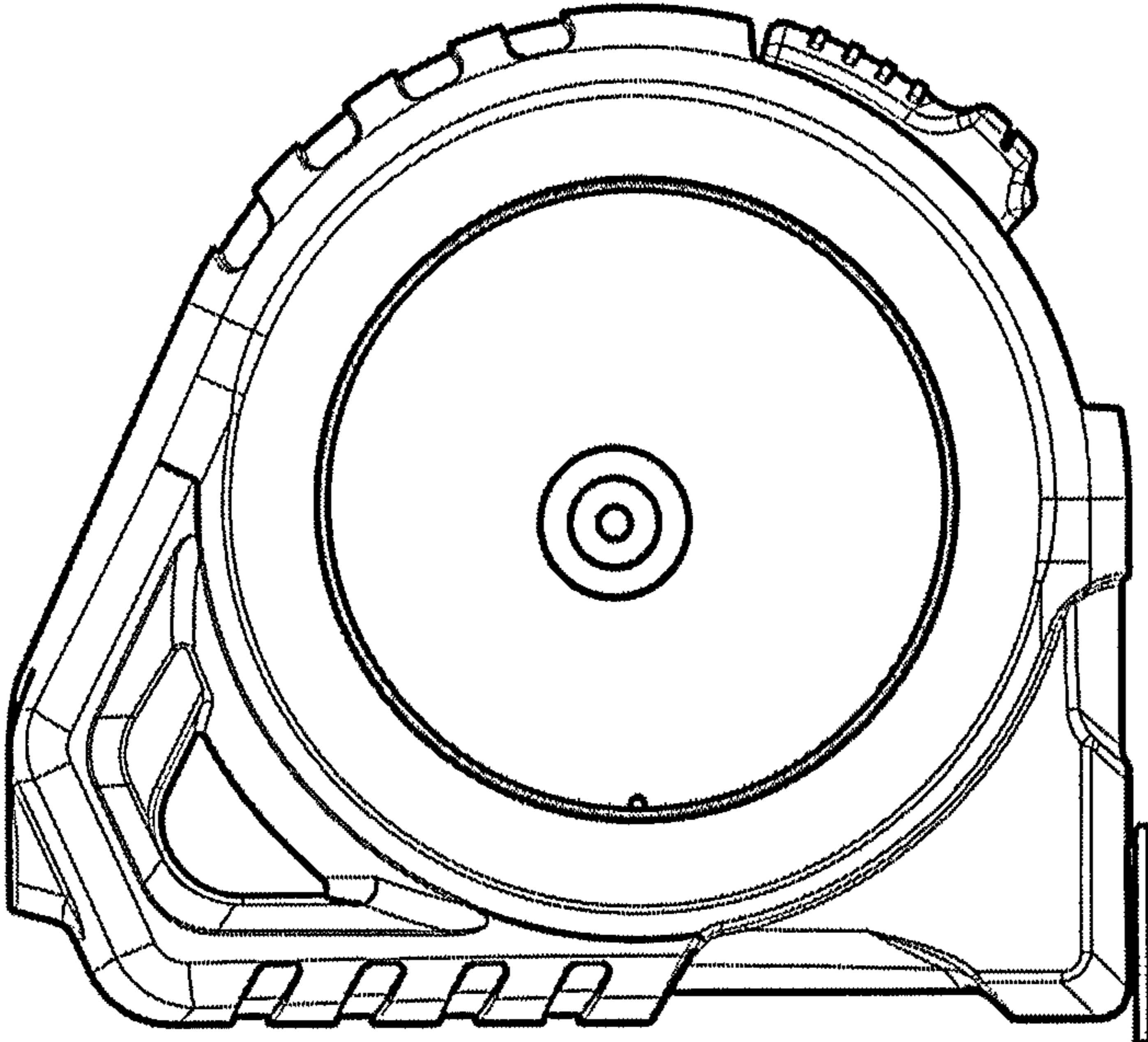


Fig. 5

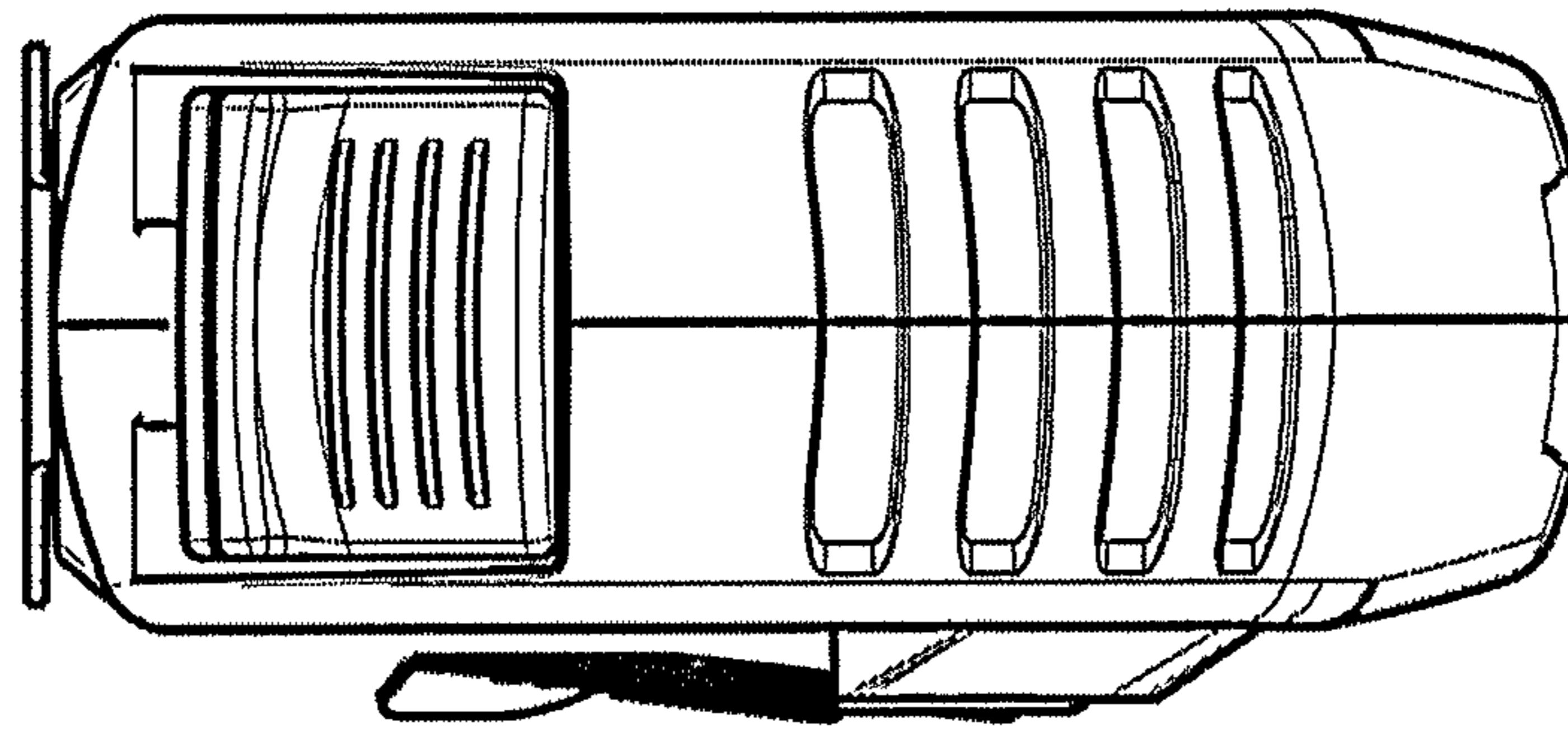


Fig. 6

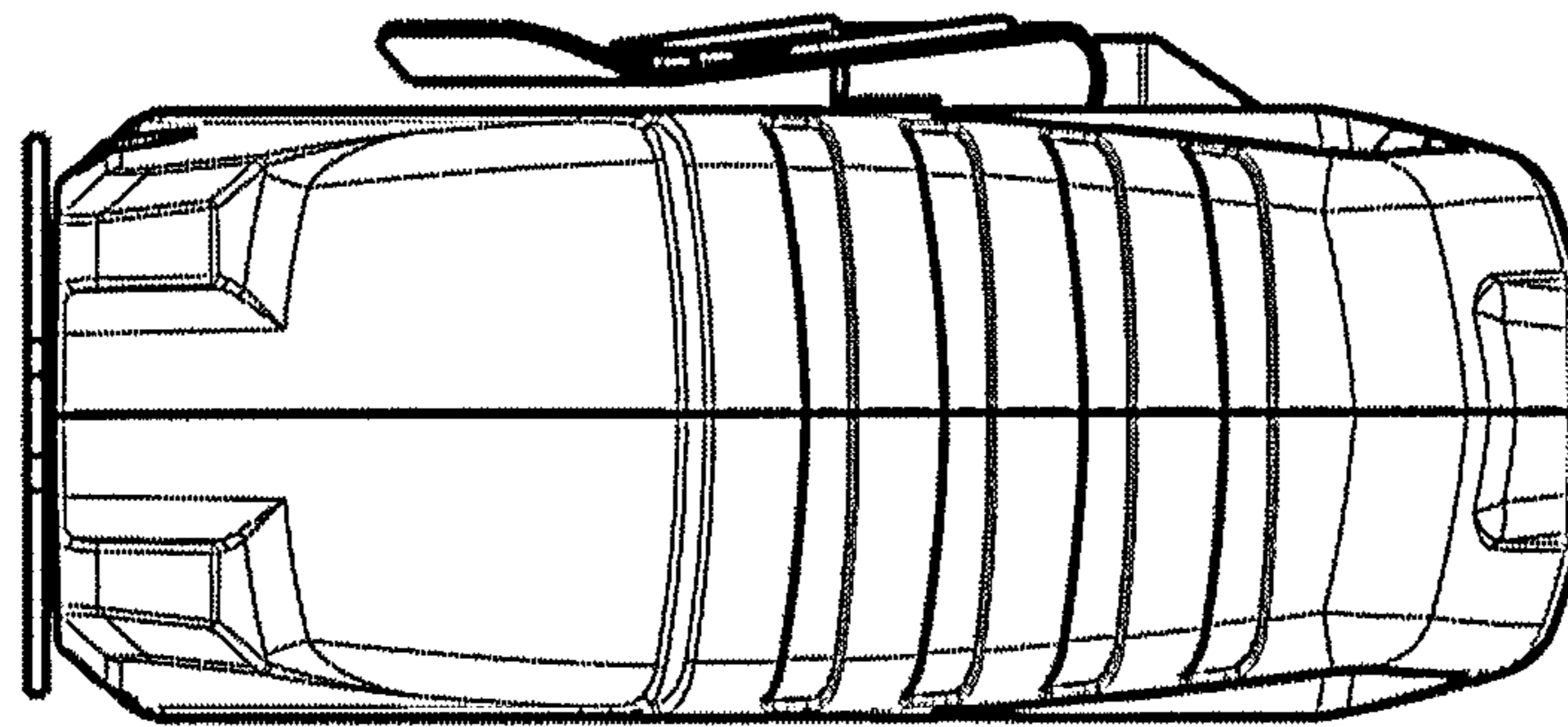


Fig. 7