



US00D725509S

(12) **United States Design Patent**
Wingate

(10) **Patent No.:** **US D725,509 S**
(45) **Date of Patent:** **** Mar. 31, 2015**

(54) **SURFACE TOOL**

(71) Applicant: **Zircon Corporation**, Campbell, CA (US)

(72) Inventor: **Barry Wingate**, San Jose, CA (US)

(73) Assignee: **Zircon Corporation**, Campbell, CA (US)

(**) Term: **14 Years**

(21) Appl. No.: **29/484,238**

(22) Filed: **Mar. 7, 2014**

(51) **LOC (10) Cl.** **10-04**

(52) **U.S. Cl.**
USPC **D10/65; D10/70**

(58) **Field of Classification Search**
CPC B25G 1/102; G01R 312/045; G01R 31/04;
G01R 31/041; G01R 31/043; G01R 31/045;
G01R 31/046; G01R 31/048; G01C 9/06;
G01C 15/00; G01V 3/00-3/083; G01V
2003/084-2003/086; G01V 3/087-3/40
USPC D10/62, 65, 70, 78; 33/227, 286, 290,
33/760; 324/67, 133, 156, 658, 662, 679,
324/529, 556; 340/340, 540, 539.1;
362/184, 205, 208, 253

See application file for complete search history.

(56) **References Cited**

U.S. PATENT DOCUMENTS

6,091,358 A * 7/2000 Maniscalco et al. 342/357.57
7,944,212 B2 * 5/2011 Radle et al. 324/508

* cited by examiner

Primary Examiner — Antoine D Davis

(74) *Attorney, Agent, or Firm* — Omair M. Farooqui

(57) **CLAIM**

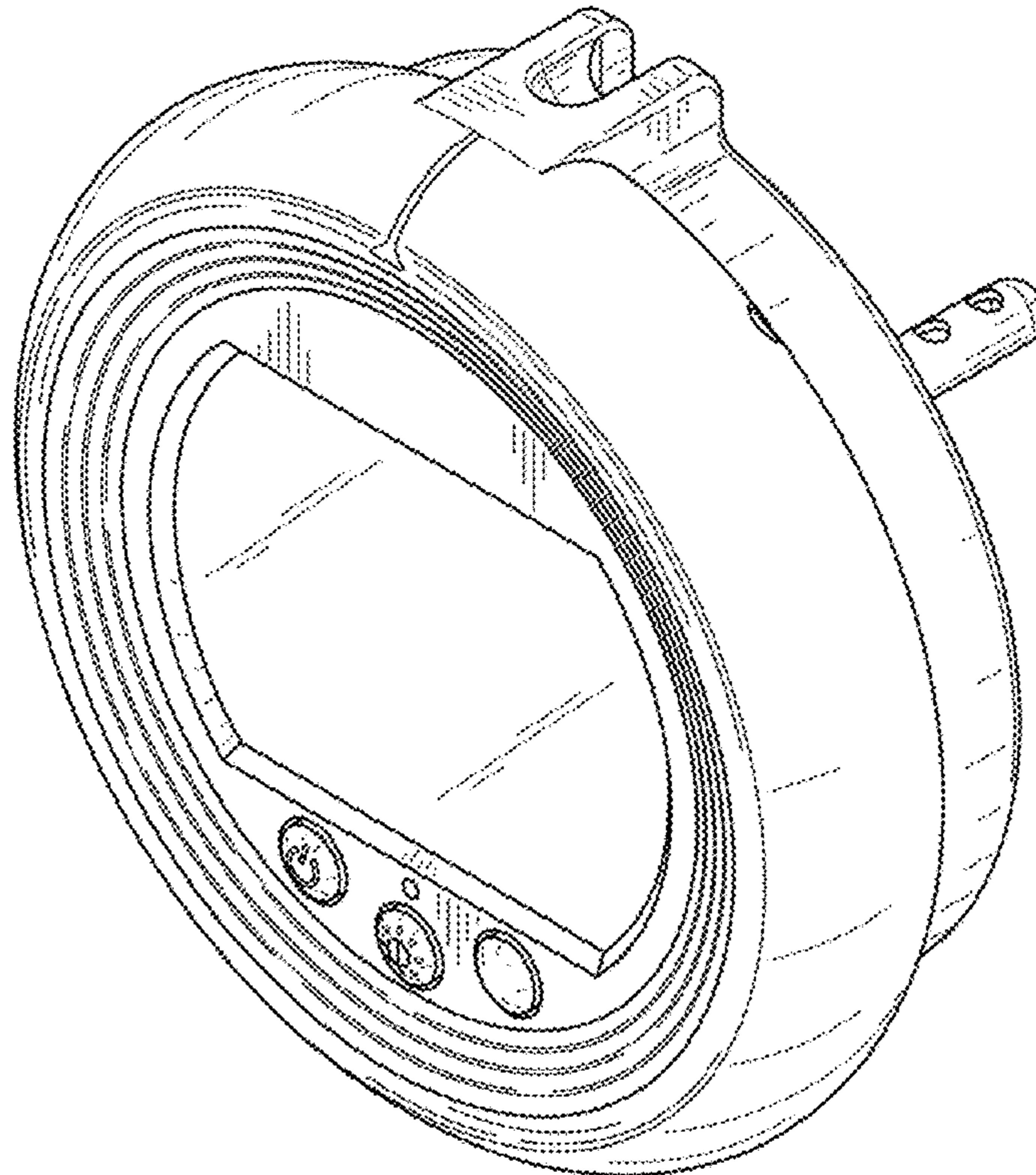
The ornamental design for a surface tool, as shown and described.

DESCRIPTION

FIG. 1 is a perspective view of a surface tool according to a preferred embodiment of the present invention; FIG. 2 is a front elevational view thereof; FIG. 3 is a rear elevational view thereof; FIG. 4 is a right side plan view thereof; FIG. 5 is a left side plan view thereof; FIG. 6 is a top plan view thereof; and, FIG. 7 is a bottom plan view thereof.

The broken lines shown in FIGS. 1-7 are environmental only and form no part of the claimed design.

1 Claim, 4 Drawing Sheets



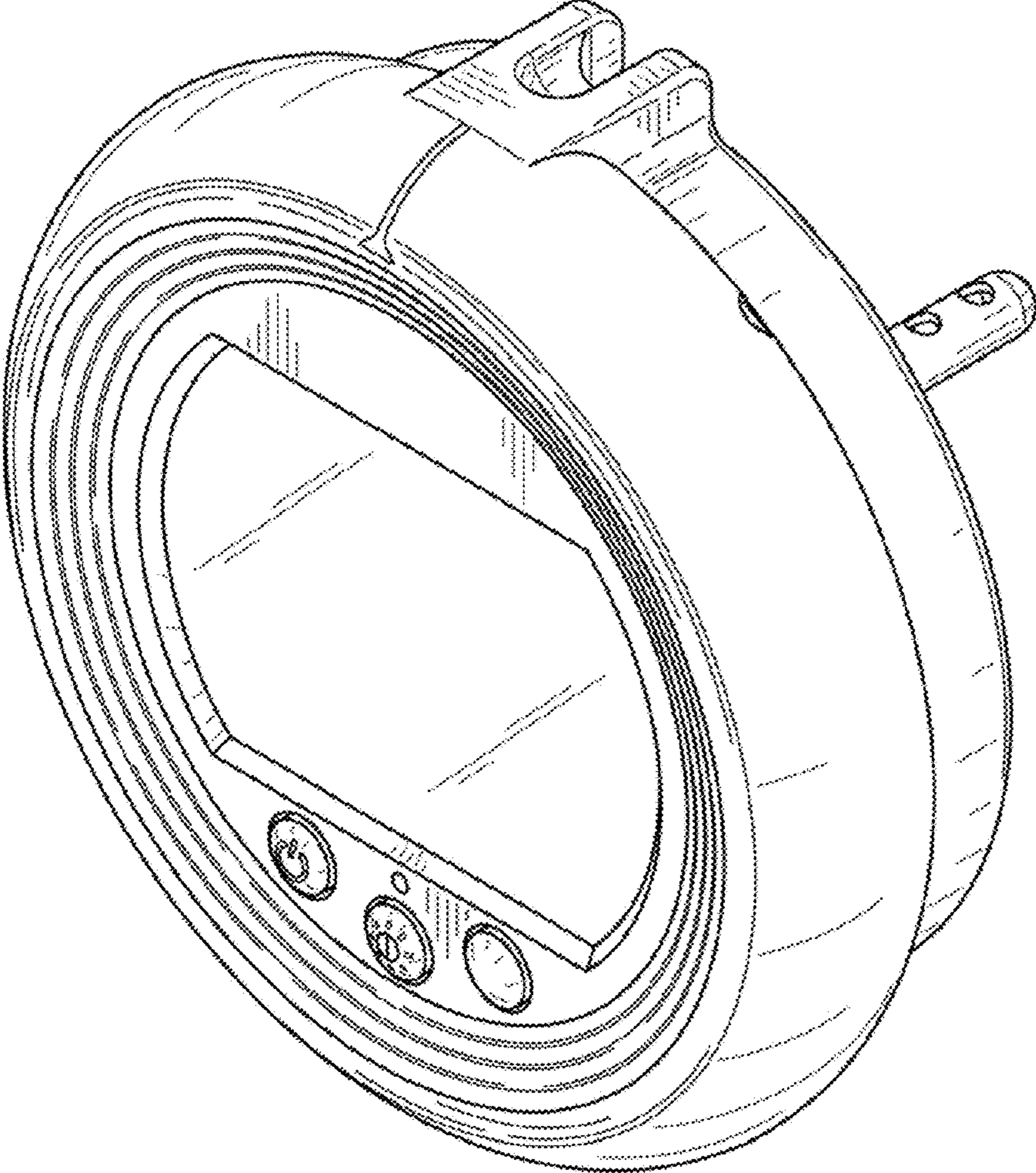


FIG. 1

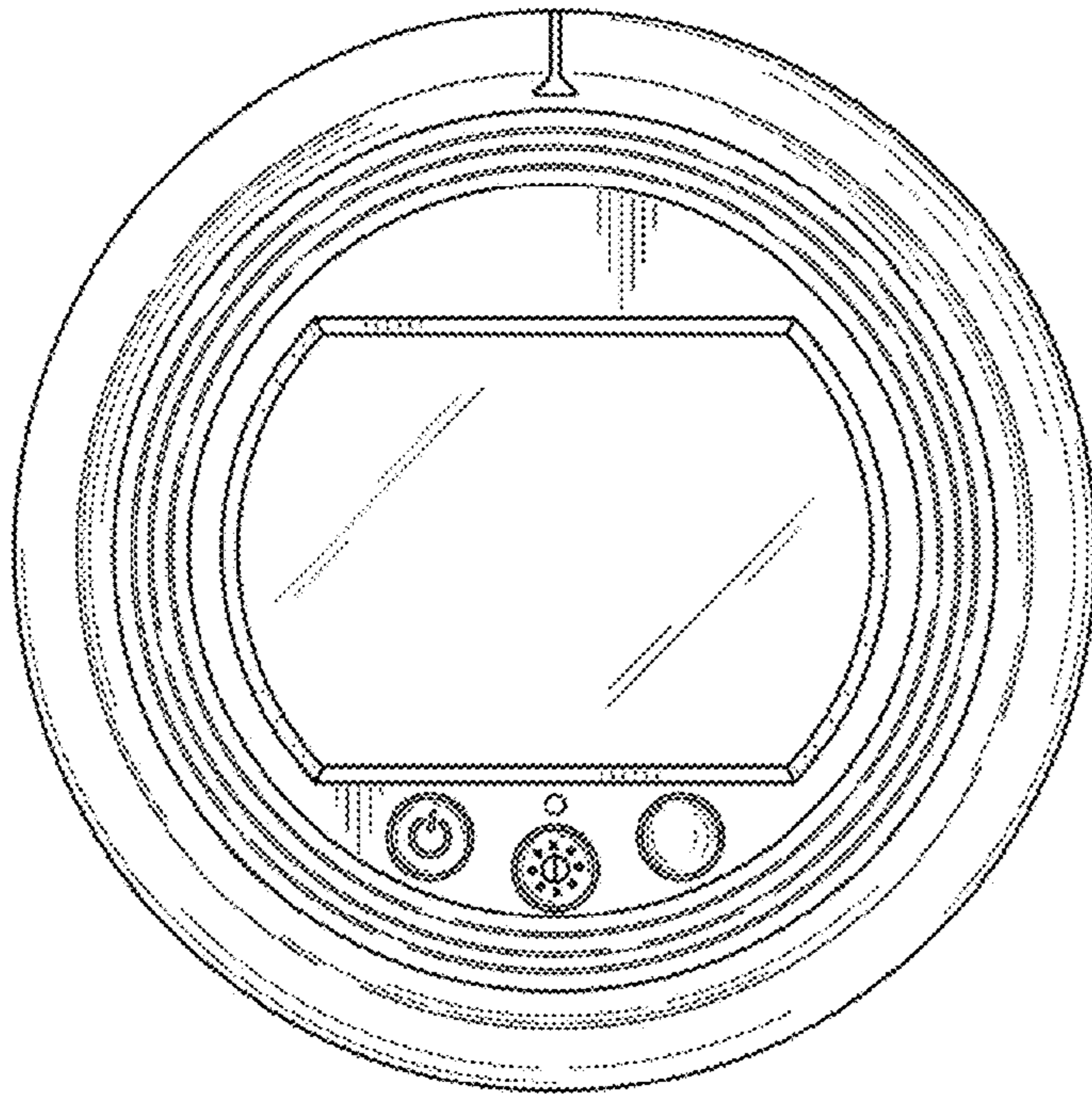


FIG. 2

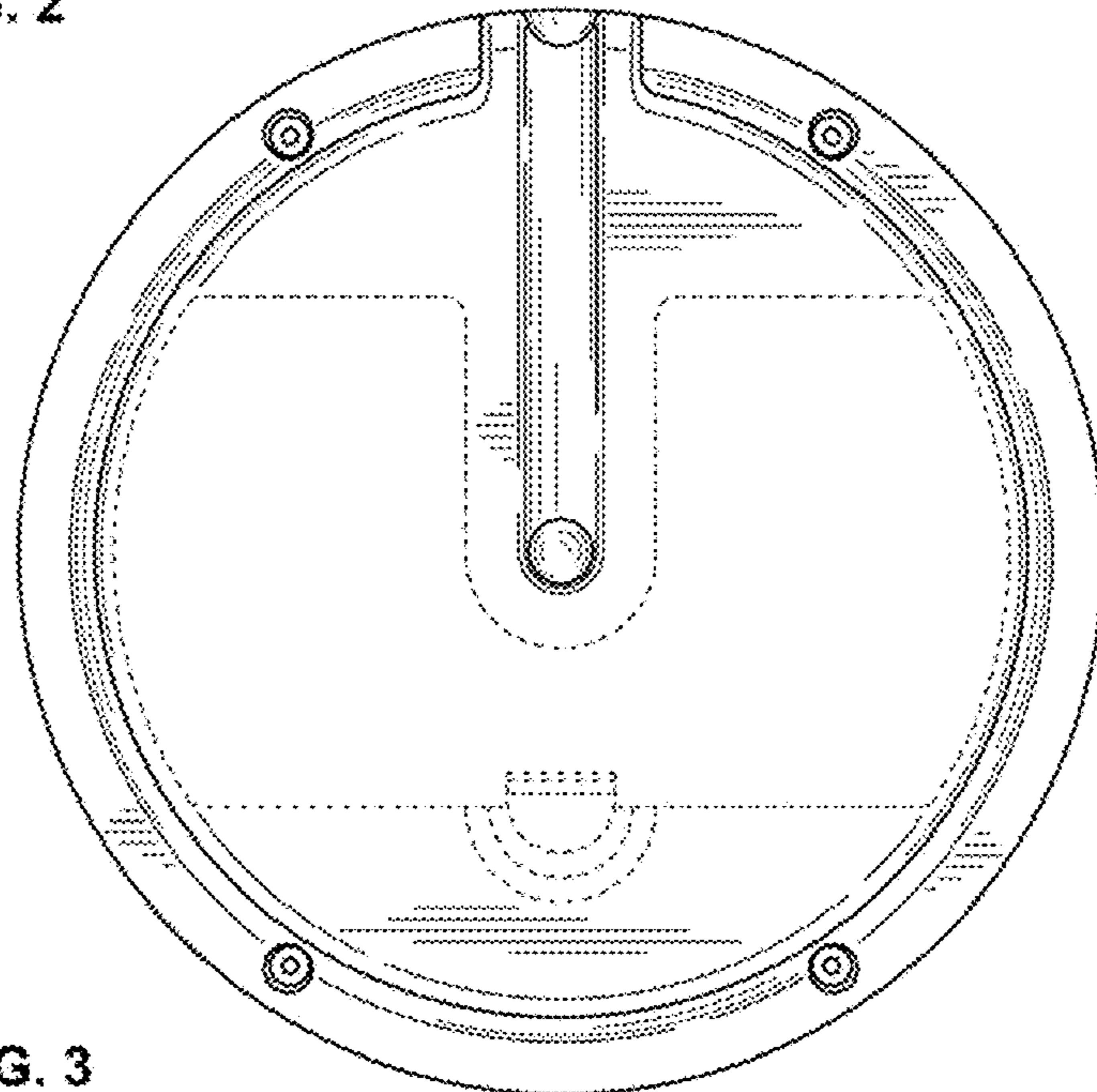


FIG. 3

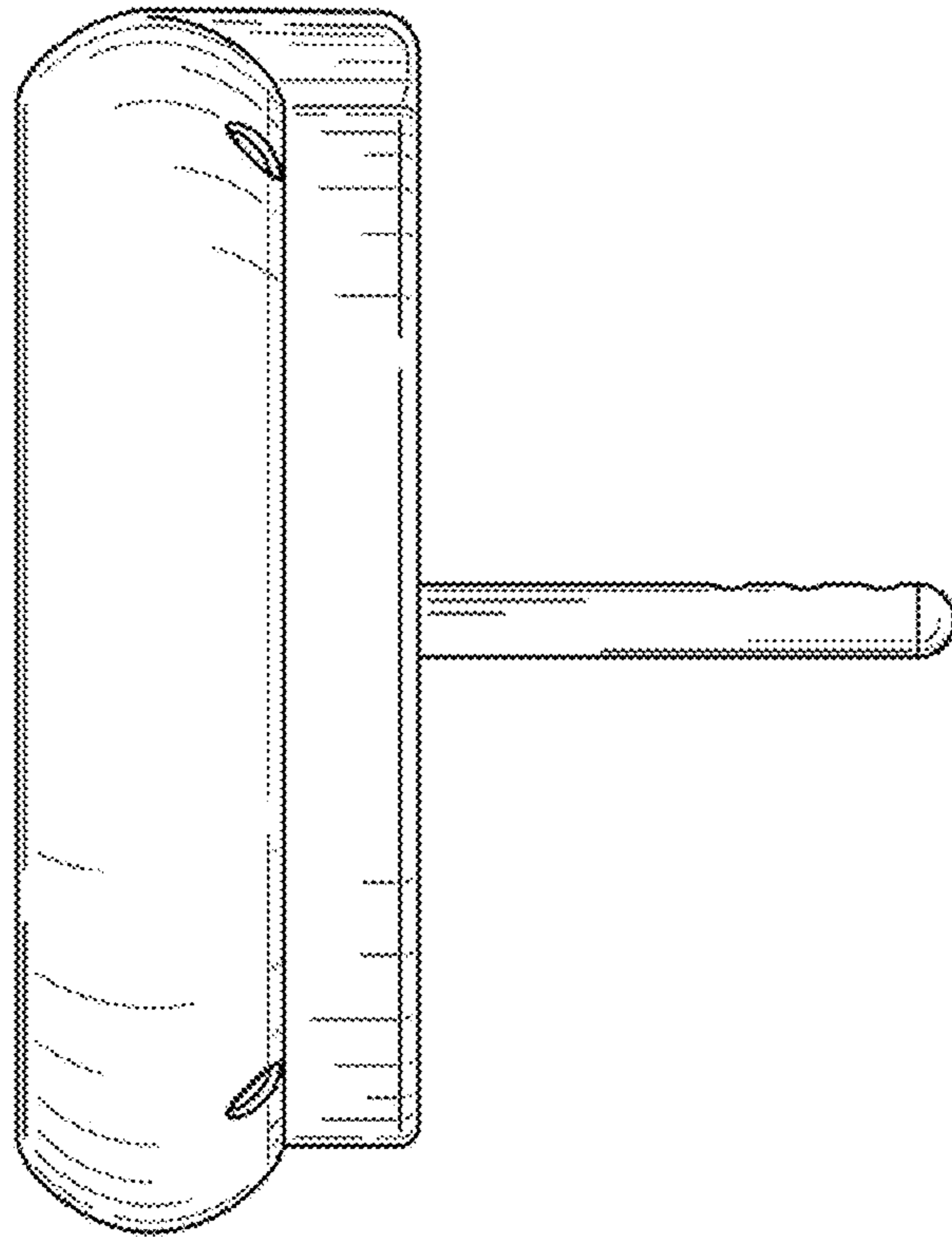


FIG. 4

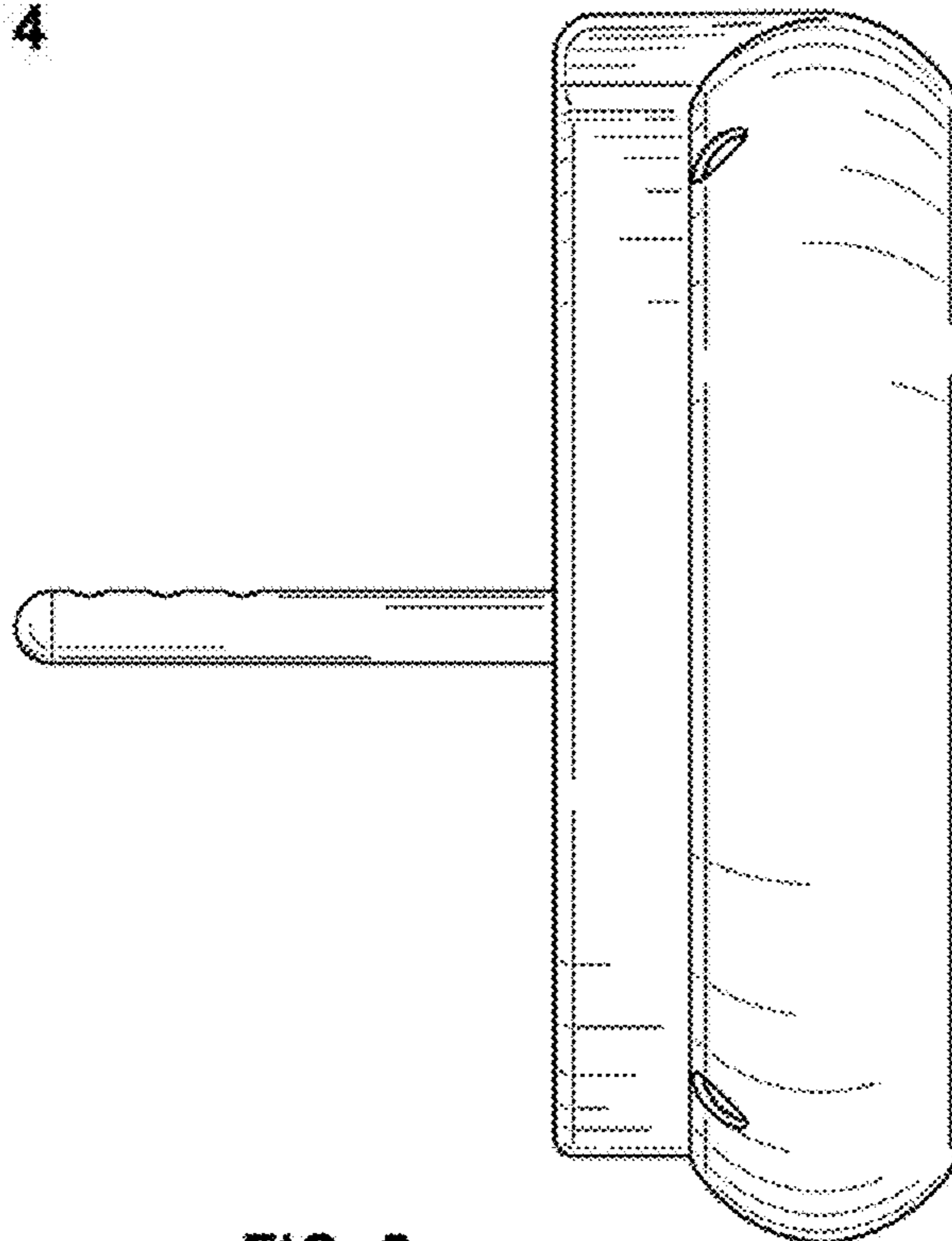


FIG. 5

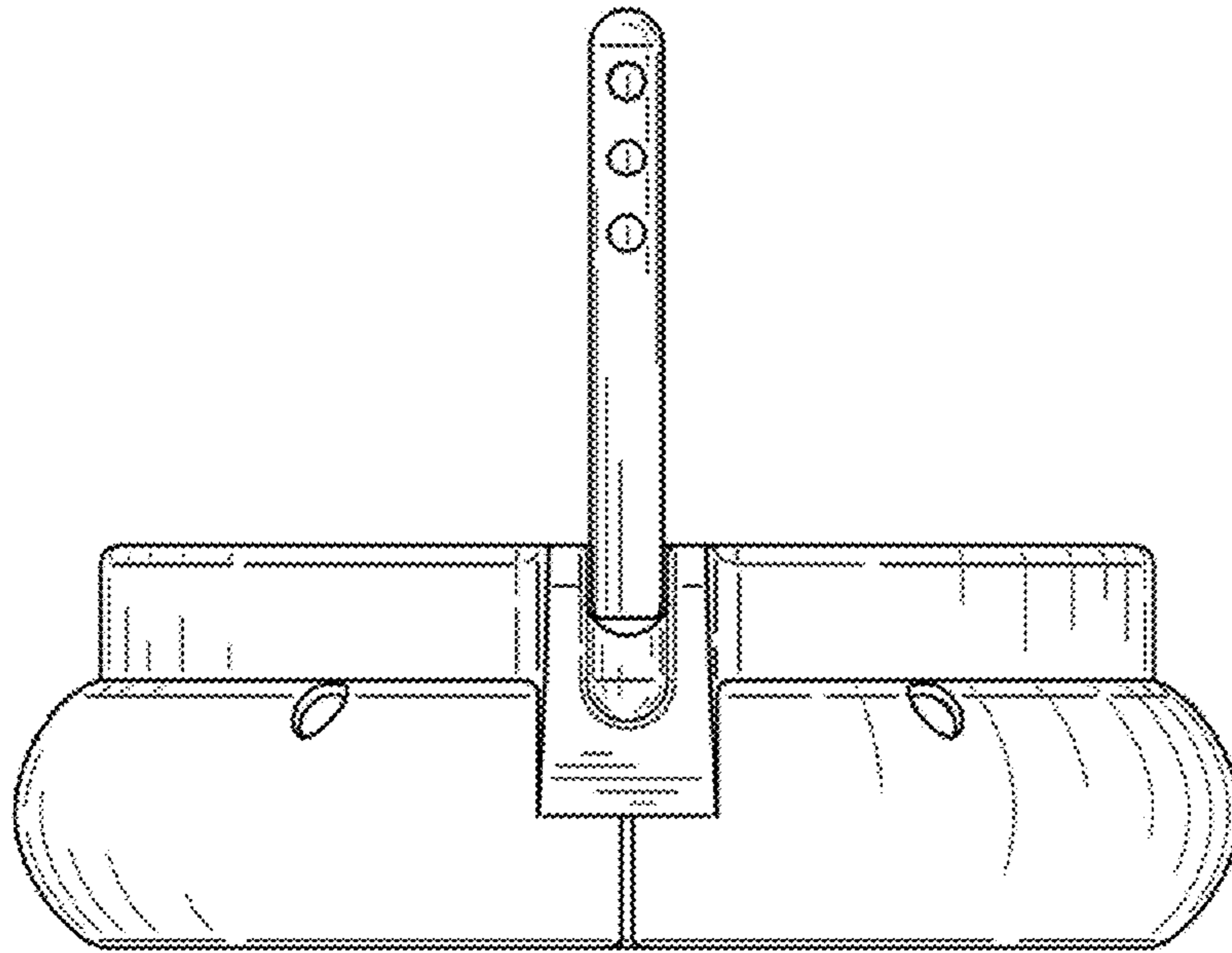


FIG. 6

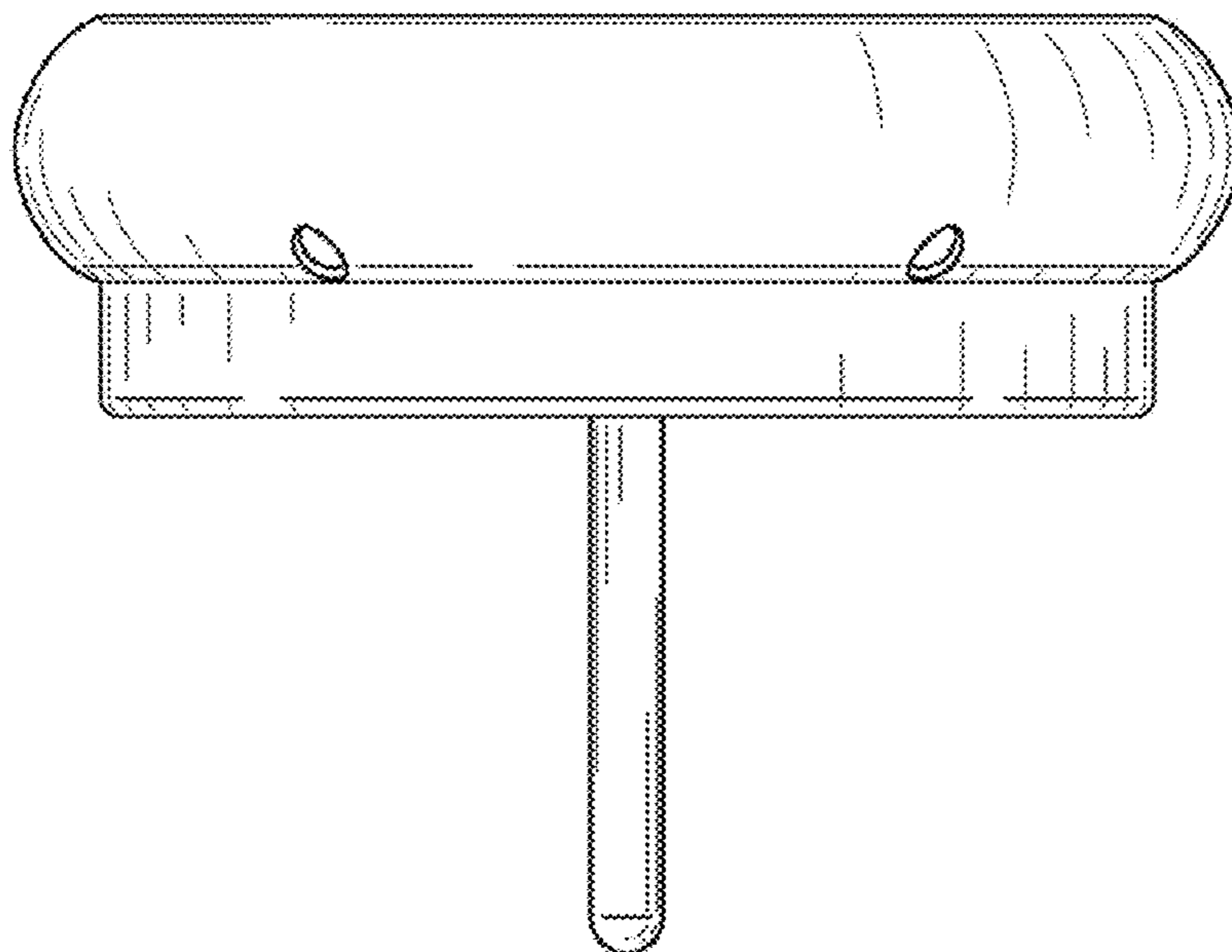


FIG. 7