



US00D725508S

(12) **United States Design Patent**
Steinich

(10) **Patent No.:** **US D725,508 S**
(45) **Date of Patent:** **** Mar. 31, 2015**

(54) **MAGNETIC ANGLE POSITION SENSOR**

(56) **References Cited**

(71) Applicant: **ASM Automation Sensorik
Messtechnik GmbH, Moosinning (DE)**

U.S. PATENT DOCUMENTS

(72) Inventor: **Klaus Manfred Steinich, Pöring (DE)**

D220,364 S * 3/1971 Pough D10/74
6,018,992 A * 2/2000 Kajjala 73/114.36
8,289,014 B2 * 10/2012 Collet 324/207.25
2010/0176805 A1 * 7/2010 Collet 324/207.25

(73) Assignee: **ASM Automation Sensorik
Messtechnik GmbH, Moosinning (DE)**

* cited by examiner

(**) Term: **14 Years**

Primary Examiner — Antoine D Davis

(21) Appl. No.: **29/475,466**

(74) *Attorney, Agent, or Firm* — Head, Johnson & Kachigian, P.C.

(22) Filed: **Dec. 3, 2013**

(57) **CLAIM**

The ornamental design for a magnetic angle position sensor, as shown and described.

(51) **LOC (10) Cl.** **10-04**

DESCRIPTION

(52) **U.S. Cl.**
USPC **D10/63; D10/65**

FIG. 1 is a perspective view of a magnetic angle position sensor in accordance with the present invention; FIG. 2 is an alternate perspective view thereof; FIG. 3 is a top view thereof; FIG. 4 is a bottom view thereof; FIG. 5 is a front view thereof; FIG. 6 is a rear view thereof; FIG. 7 is a left side view thereof; and, FIG. 8 is a right side view thereof.

(58) **Field of Classification Search**
CPC ... G01D 11/00; G01D 11/305; G01D 5/2525;
D01D 5/02; G01B 7/00–7/345
USPC D10/63, 65, 70

See application file for complete search history.

1 Claim, 3 Drawing Sheets

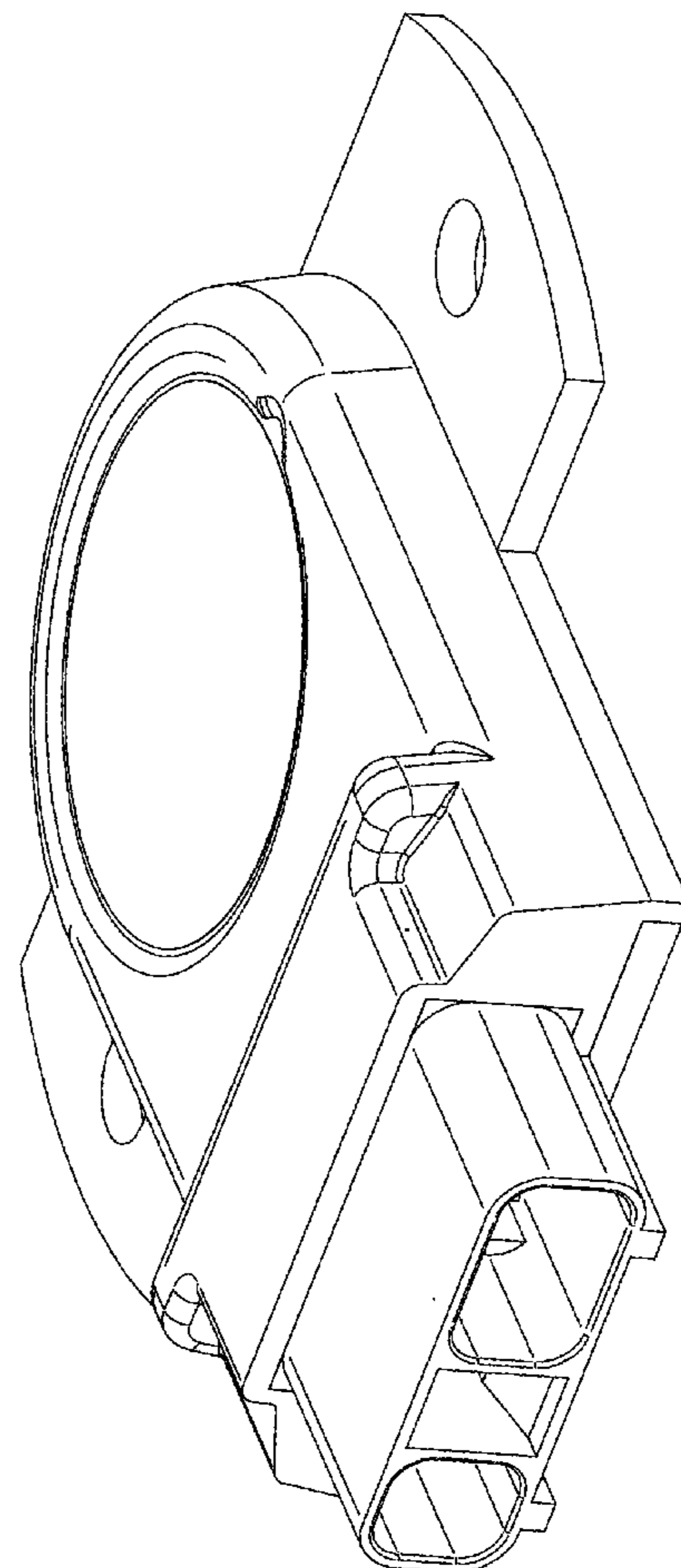
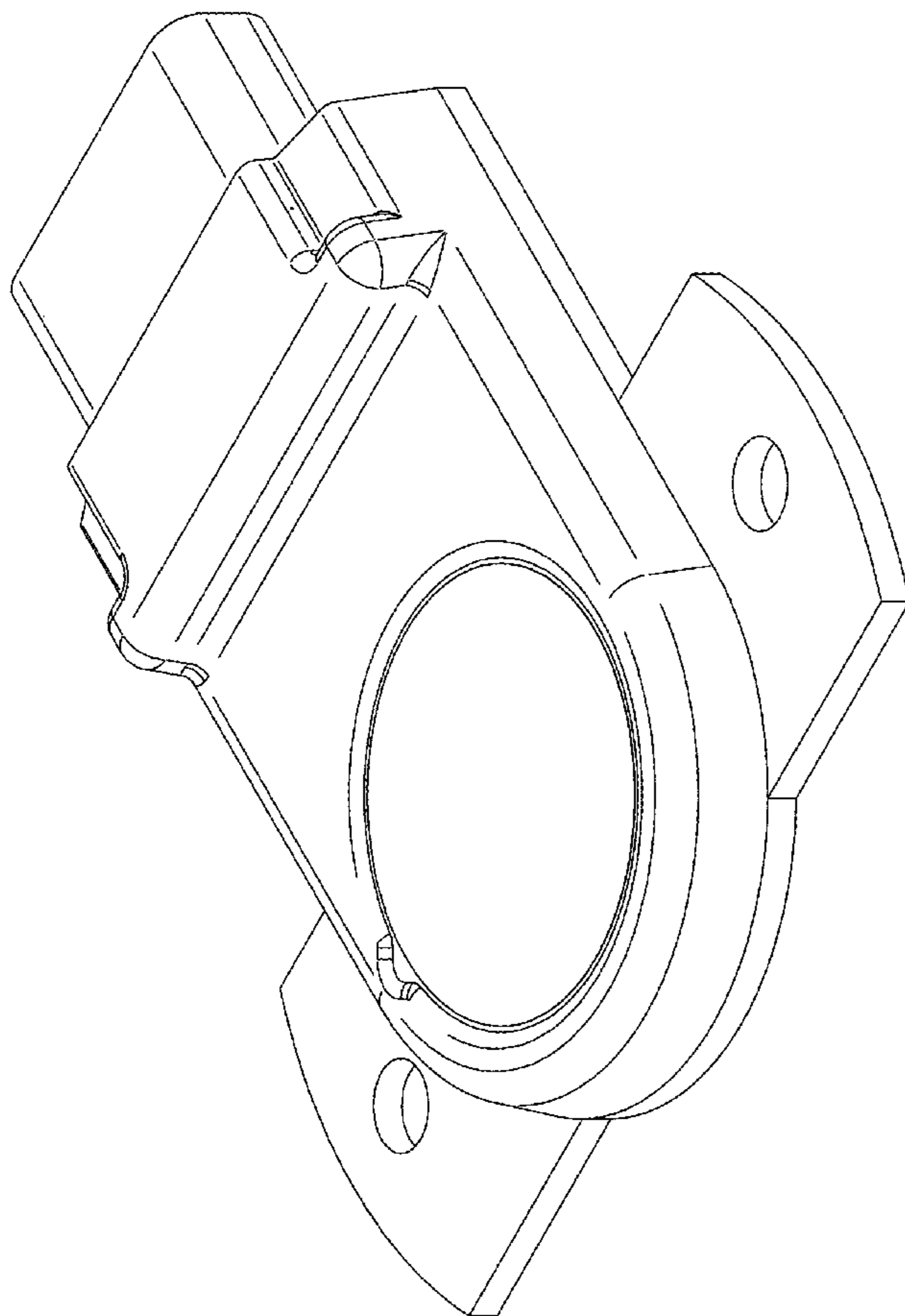


Fig. 1

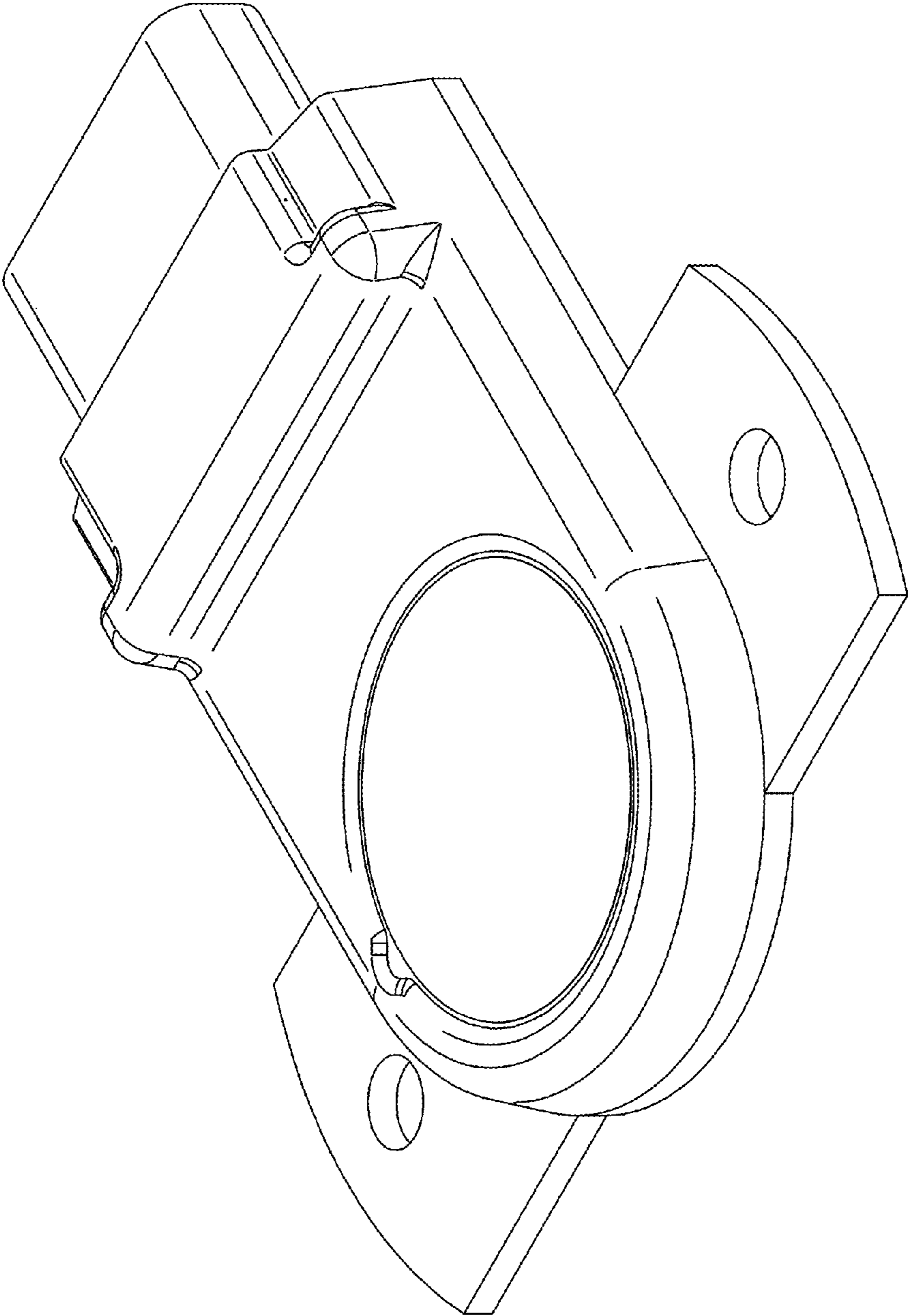
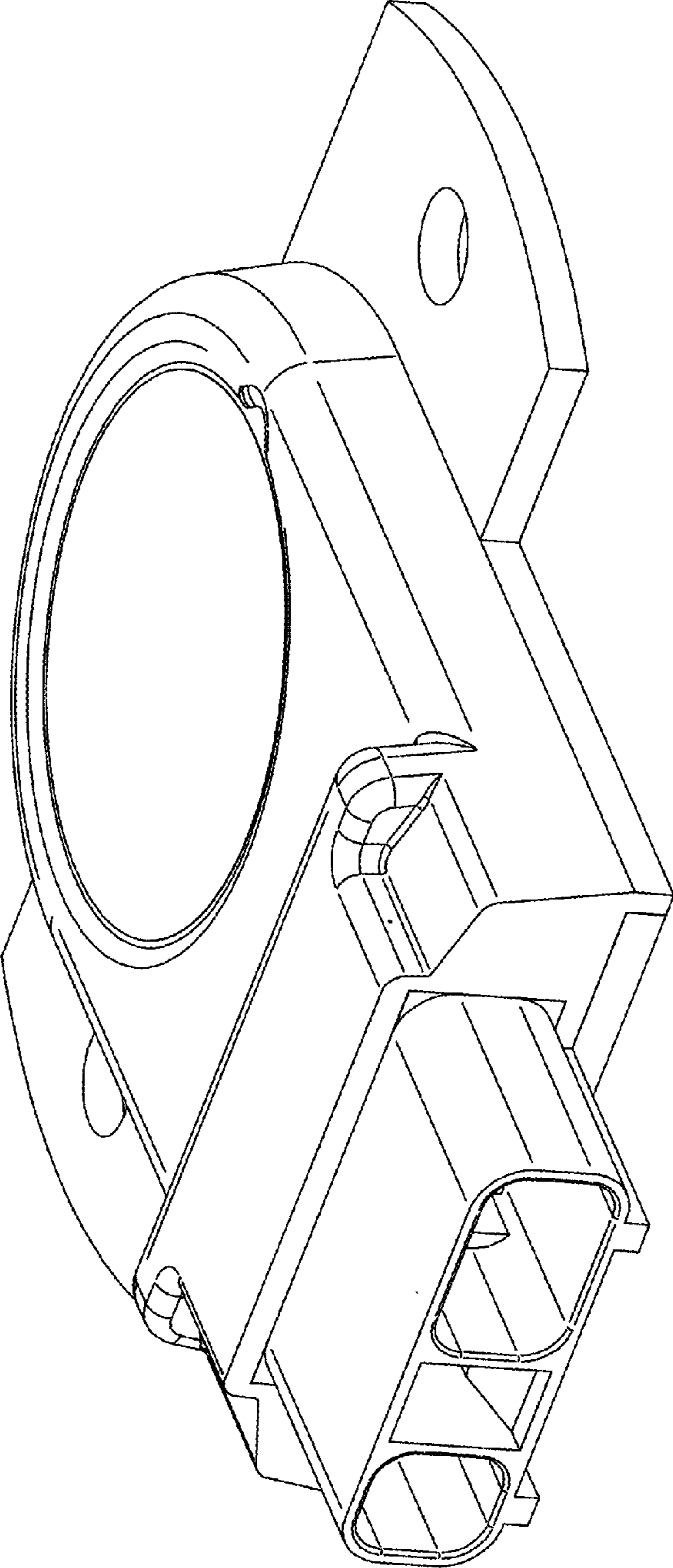


Fig. 2



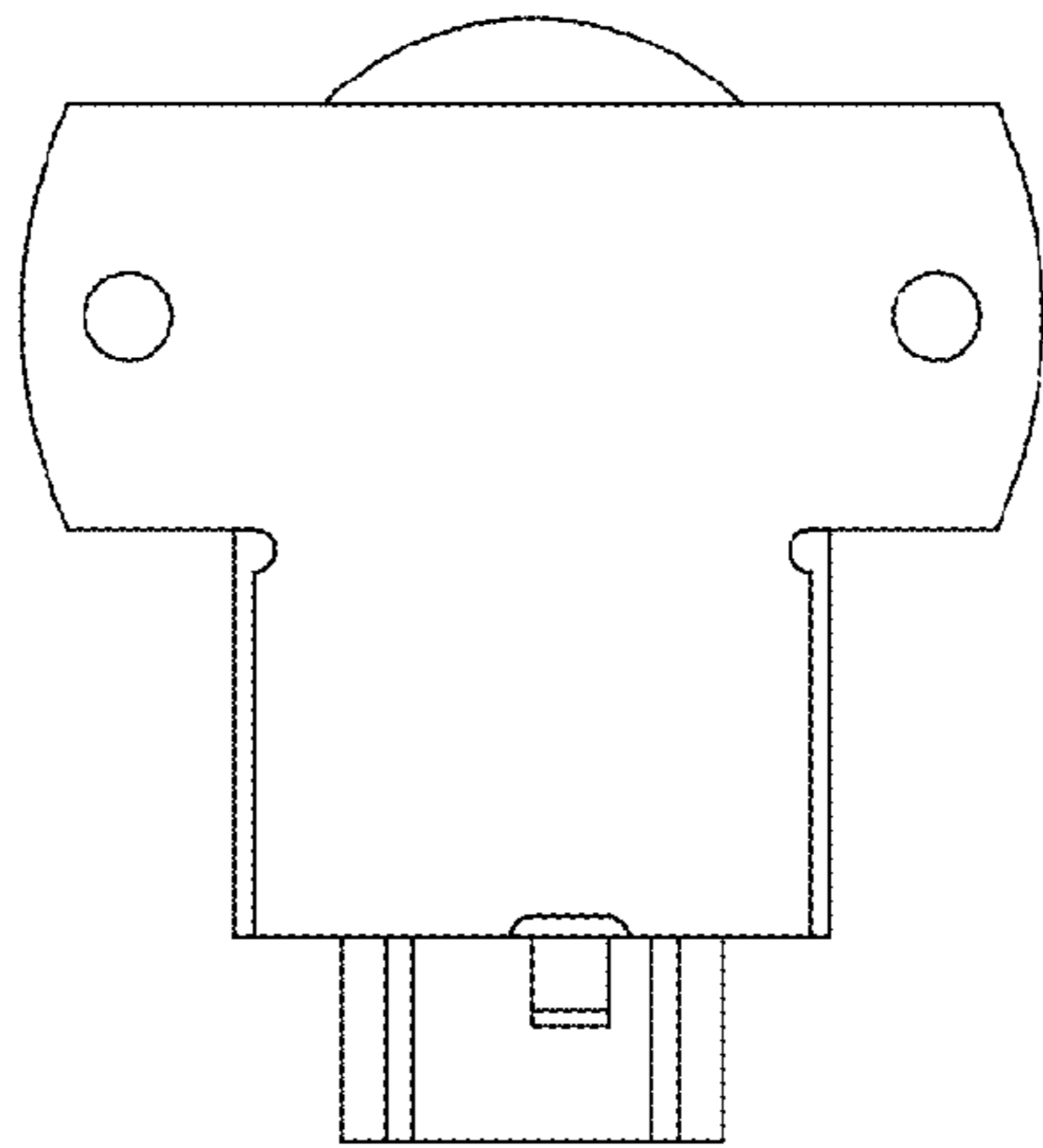


Fig. 4

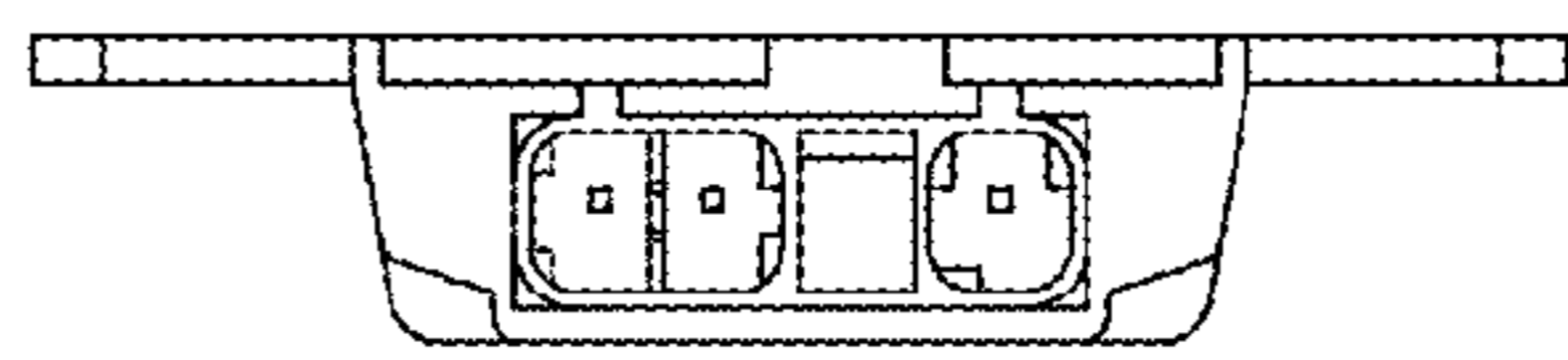


Fig. 5



Fig. 7

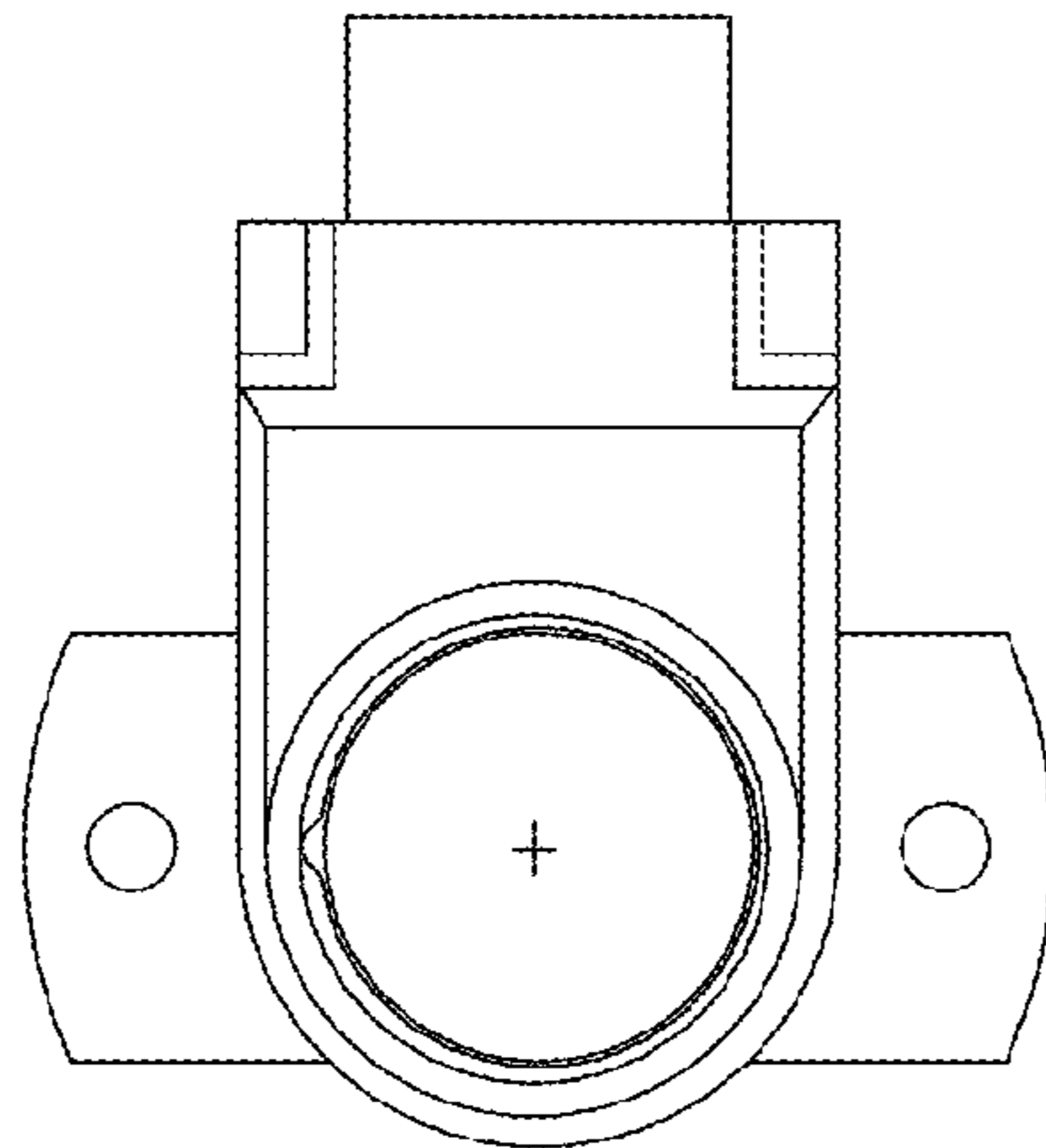


Fig. 3

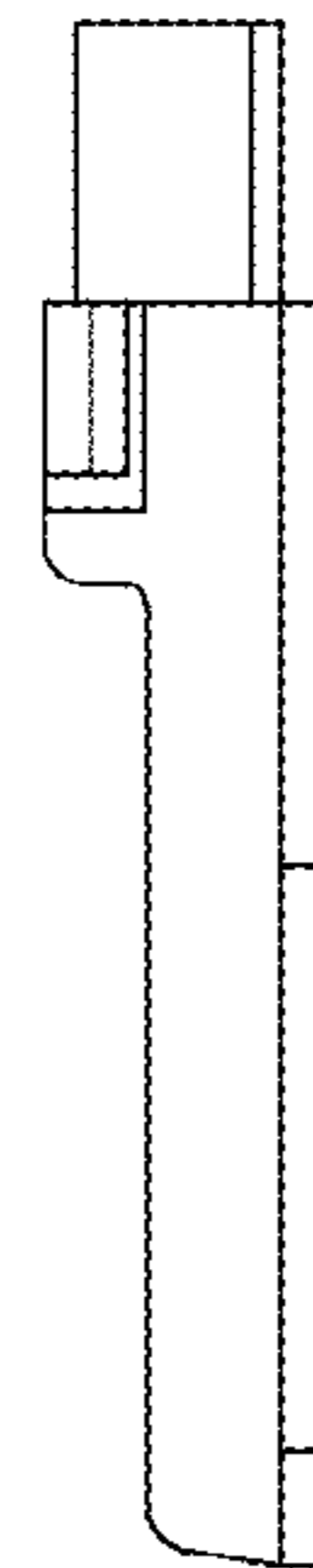


Fig. 8

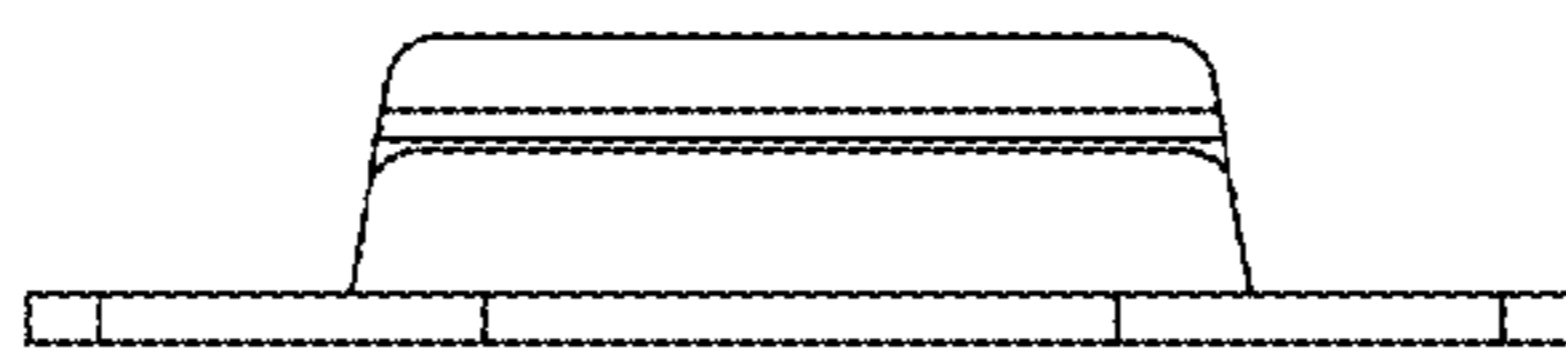


Fig. 6